



US00D612201S

(12) **United States Design Patent**
Hillebrenner

(10) **Patent No.:** **US D612,201 S**
(45) **Date of Patent:** **** Mar. 23, 2010**

(54) **CUP**
(75) Inventor: **William A. Hillebrenner**, Chicago, IL
(US)
(73) Assignee: **Solo Cup Operating Corporation**, Lake
Forest, IL (US)
(**) Term: **14 Years**

D197,313 S 1/1964 Wanderer
3,126,139 A 3/1964 Schechter
D198,139 S 5/1964 Edwards
3,131,845 A 5/1964 Sherlock et al.
3,139,213 A * 6/1964 Edwards 206/519
D199,336 S 10/1964 Wanderer
D199,579 S 11/1964 Davis
D204,947 S 5/1966 Benjamin

(21) Appl. No.: **29/337,676**

(Continued)

(22) Filed: **May 27, 2009**

FOREIGN PATENT DOCUMENTS

Related U.S. Application Data

DE 1175564 8/1964

(63) Continuation of application No. 29/337,667, filed on
May 27, 2009.

(Continued)

(51) **LOC (9) Cl.** **07-01**
(52) **U.S. Cl.** **D7/396.2; D7/509; D7/387**
(58) **Field of Classification Search** D9/744;
215/387, DIG. 7; 220/675, 703, 592.16,
220/592.17; 206/520, 519; D7/523, 532,
D7/529

OTHER PUBLICATIONS

Full View Photo of Thermos taken approximately Dec. 11, 2008.

See application file for complete search history.

(Continued)

Primary Examiner—Robert M Spear
Assistant Examiner—Cynthia Underwood
(74) *Attorney, Agent, or Firm*—Banner & Witcoff, Ltd.

(56) **References Cited**

(57) **CLAIM**

U.S. PATENT DOCUMENTS

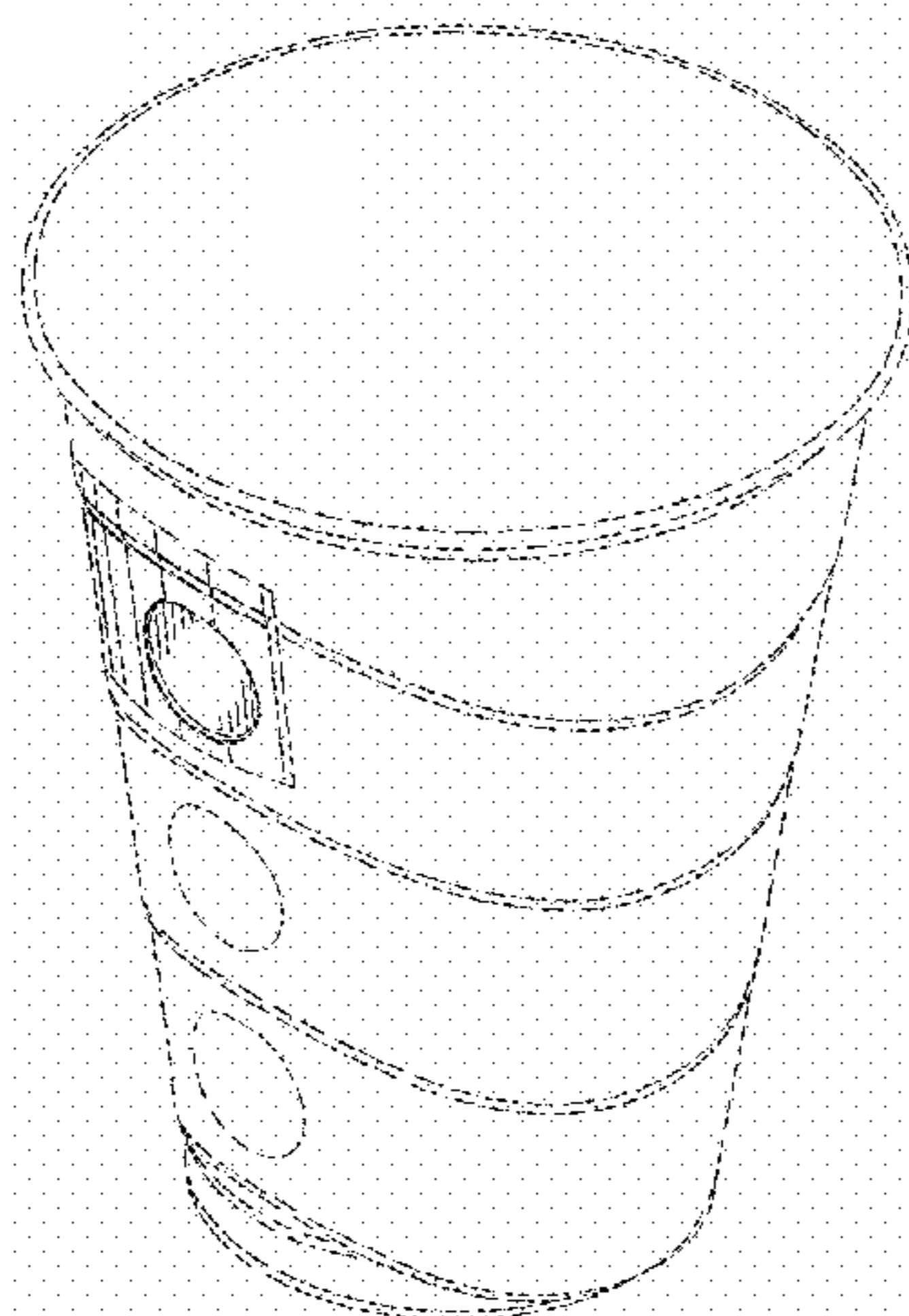
The ornamental design for a cup, as shown and described.

168,063 A * 9/1875 Taylor 220/62
D703,125 6/1902 Emrich
D42,683 S 7/1912 Anderson
D68,368 S 10/1925 Bell
1,636,174 A 7/1927 Dolan et al.
2,013,243 A 9/1935 Landon
D109,474 S * 5/1938 Connor D34/1
2,168,186 A 8/1939 Adamson
D163,673 S 6/1951 Bliss
2,629,534 A 2/1953 Reynolds
2,731,189 A 1/1956 Moore
2,745,586 A 5/1956 Thoma
2,905,350 A 9/1959 Edwards
3,009,603 A 11/1961 Stockdale
3,085,730 A 4/1963 Fibish
3,091,360 A 5/1963 Edwards
D196,271 S 9/1963 Edwards

DESCRIPTION

FIG. 1 is a front right perspective view showing our new
design of a cup;
FIG. 2 is a front view thereof;
FIG. 3 is a right view thereof; and,
FIG. 4 is a bottom view thereof.
The broken lines shown in the drawings are for illustrative
purposes only and form no part of the claimed design.

1 Claim, 2 Drawing Sheets



US D612,201 S

Page 2

U.S. PATENT DOCUMENTS					
			D448,976 S	10/2001	McDonough et al.
			D450,535 S	11/2001	McDonough et al.
3,288,340 A	11/1966	Shapiro et al.	D457,783 S	5/2002	Bodum
3,342,370 A	9/1967	Johnson	D460,696 S	7/2002	Goettner
D208,872 S	10/1967	Davis	D461,368 S	8/2002	Durand
D210,067 S	2/1968	Abe	D462,270 S	9/2002	Renz
D210,767 S	4/1968	Anglada	D471,763 S	3/2003	Hurlbut et al.
D210,853 S	4/1968	Anderson	6,554,154 B1 *	4/2003	Chauhan et al. 220/671
3,375,954 A *	4/1968	Honkanen et al. 206/520	6,575,321 B2	6/2003	Bourque et al.
D211,514 S	6/1968	Amberg	D484,362 S	12/2003	Harris et al.
3,397,867 A	8/1968	van't Hoff	D486,036 S *	2/2004	Chuang D7/529
D212,352 S *	10/1968	Davis D7/530	D488,384 S	4/2004	Murphy
D213,094 S	1/1969	Davis	6,722,514 B2	4/2004	Renz
D213,173 S	1/1969	Lockhart et al.	6,749,075 B2	6/2004	Bourque et al.
D213,174 S	1/1969	Davis	D492,547 S	7/2004	Hsu
3,437,253 A	4/1969	Davis et al.	6,814,248 B2	11/2004	Beck et al.
3,519,165 A	7/1970	Hawley	D499,934 S	12/2004	Smith et al.
D220,031 S	3/1971	Donovan	D499,935 S	12/2004	Smith et al.
D223,999 S	6/1972	Klose	6,827,228 B2	12/2004	Headen et al.
D228,125 S	8/1973	Weiss	D501,362 S	2/2005	Gauss
D229,008 S	11/1973	Bateman	D502,877 S	3/2005	Stockwell et al.
D239,358 S	3/1976	Kjellqvist	D504,593 S	5/2005	Smith et al.
3,951,266 A	4/1976	Brewer	D505,592 S	5/2005	Liu
4,049,187 A	9/1977	Florian	D505,830 S	6/2005	Smith et al.
4,052,037 A	10/1977	Mair et al.	D508,372 S	8/2005	Martinez-Lopez
4,061,782 A	12/1977	Baxter	D510,679 S	10/2005	Smith et al.
4,102,454 A	7/1978	Karevaara	D511,647 S	11/2005	Smith et al.
4,131,226 A *	12/1978	Breiter et al. 228/198	D511,932 S	11/2005	Smith et al.
4,134,492 A	1/1979	Lucas	D512,326 S	12/2005	Stockwell et al.
4,169,537 A	10/1979	Sabreen et al.	D514,380 S	2/2006	Smith et al.
4,245,685 A	1/1981	Nemitz et al.	D514,385 S	2/2006	Smith et al.
4,420,081 A	12/1983	Dart	D514,884 S	2/2006	Smith et al.
D272,794 S	2/1984	Dart	D515,358 S	2/2006	Orr et al.
4,548,348 A	10/1985	Clements	7,004,342 B2	2/2006	Bourque et al.
4,578,296 A	3/1986	Mykazaki et al.	D516,378 S	3/2006	Smith et al.
D285,032 S	8/1986	Alonzo	D519,036 S	4/2006	Stockwell et al.
D293,869 S	1/1988	Durand	D519,786 S	5/2006	Betras
D320,455 S	10/1991	Malcolm	D521,318 S	5/2006	Huang
D320,859 S	10/1991	Malcolm	D521,803 S	5/2006	Bieger
5,082,135 A	1/1992	DeCoster	D526,841 S	8/2006	Webb
D328,014 S	7/1992	DeCoster et al.	D526,847 S	8/2006	Freeman
5,185,499 A *	2/1993	Yahraus 174/59	D527,583 S	9/2006	Freeman
D333,704 S	3/1993	Malcolm	D528,365 S	9/2006	Hsu
5,275,277 A	1/1994	Gallegos	D528,863 S	9/2006	Hayes et al.
D346,308 S	4/1994	Cautereels et al.	D529,340 S	10/2006	Laib et al.
5,346,095 A	9/1994	Deal	D533,747 S	12/2006	Jin
5,413,244 A	5/1995	Ramsey	D535,152 S	1/2007	Gluck
5,415,339 A	5/1995	Howard	7,185,783 B1	3/2007	Miller
5,423,160 A	6/1995	Rosen	D542,332 S *	5/2007	Miyahara D18/4.1
D368,234 S	3/1996	Dickinson et al.	7,213,719 B2	5/2007	Pedmo et al.
5,634,569 A	6/1997	DeCoster	D545,625 S	7/2007	Webb
5,678,726 A	10/1997	Porteous	D546,126 S	7/2007	Bhavnani
D387,619 S	12/1997	Gross et al.	D552,420 S	10/2007	Liu
5,712,767 A *	1/1998	Koizumi 361/761	D556,513 S	12/2007	Yelland
5,772,111 A	6/1998	Kirsch	D557,562 S	12/2007	Kramer
5,775,577 A *	7/1998	Titus 229/403	D558,515 S *	1/2008	Holub D7/396.2
D399,099 S	10/1998	Cousins	D559,039 S	1/2008	Freeman
5,850,935 A	12/1998	Luburic et al.	D559,040 S	1/2008	Freeman
D407,270 S	3/1999	Wilson	D560,437 S	1/2008	Karam
D410,174 S	5/1999	Sheu	D562,075 S	2/2008	Mehta
D413,067 S	8/1999	Haley	D563,173 S	3/2008	Karam
5,950,917 A	9/1999	Smith	D565,902 S	4/2008	Bodum
D416,757 S	11/1999	Ginuntoli	D567,026 S	4/2008	Karam
6,109,518 A	8/2000	Mueller et al.	D568,106 S	5/2008	Karam
D433,337 S	11/2000	Cautereels	D569,190 S	5/2008	Karam
D436,295 S	1/2001	Furman et al.	D572,534 S	7/2008	Karam
D441,252 S *	5/2001	Gitschlag D7/396.2	D572,977 S	8/2008	Karam
D443,475 S	6/2001	Miura	D575,110 S	8/2008	Karam
D444,672 S	7/2001	Miura	D575,111 S *	8/2008	Karam D7/532
6,264,068 B1	7/2001	Ours et al.	D575,987 S *	9/2008	Williams D7/523
D446,684 S	8/2001	Price	D577,547 S	9/2008	Willat et al.
D446,687 S	8/2001	Furman et al.	D577,959 S *	10/2008	Sandberg D7/523
D448,242 S	9/2001	McDonough et al.	7,552,841 B2 *	6/2009	Hollis et al. 220/703

US D612,201 S

Page 3

2003/0157224	A1	8/2003	Westserhof et al.	DE	4419161	12/1995
2004/0045974	A1	3/2004	Gruber et al.	DE	29802377	6/1998
2005/0061821	A1	3/2005	Smith et al.	EP	0371918	6/1990
2005/0236468	A1*	10/2005	Sadlier 229/403	FR	2207836	6/1974
2005/0279728	A1	12/2005	Finlay et al.	GB	395996	7/1933
2006/0076395	A1	4/2006	Hayes et al.	GB	1096451	12/1967
2006/0091102	A1	5/2006	Bourque et al.	GB	1251595	10/1971
2006/0207962	A1	9/2006	Coley, Jr. et al.	GB	1461394	1/1977
2006/0243699	A1	11/2006	Smith	GB	2352612	2/2001
2007/0084822	A1	4/2007	Bohen et al.			
2009/0139890	A1*	6/2009	Hatcher 206/457			

OTHER PUBLICATIONS

FOREIGN PATENT DOCUMENTS

Partial View Photo of Thermos taken approximately Dec. 11, 2008.

DE 1216139 5/1966

* cited by examiner

FIG. 1

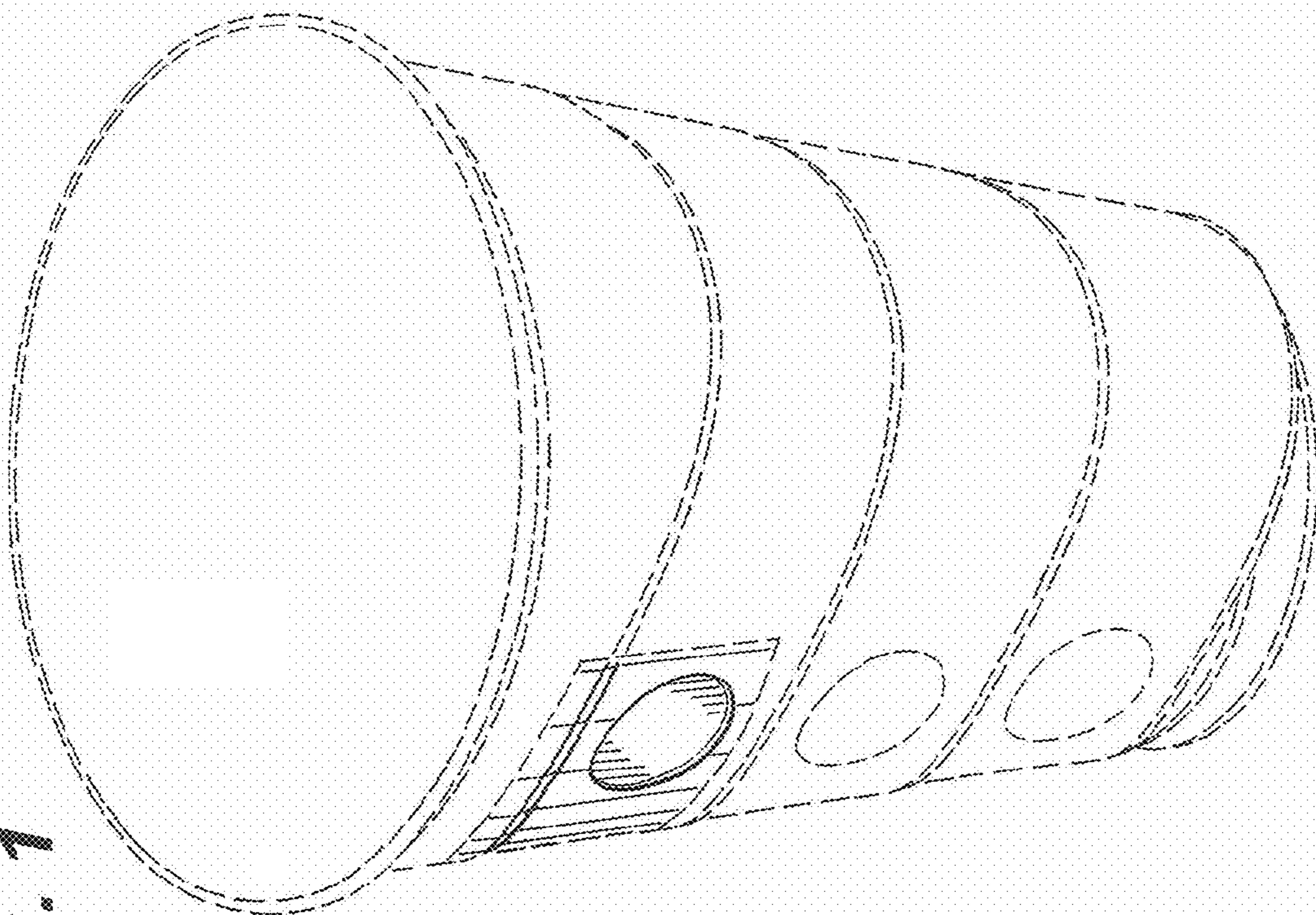


FIG. 2

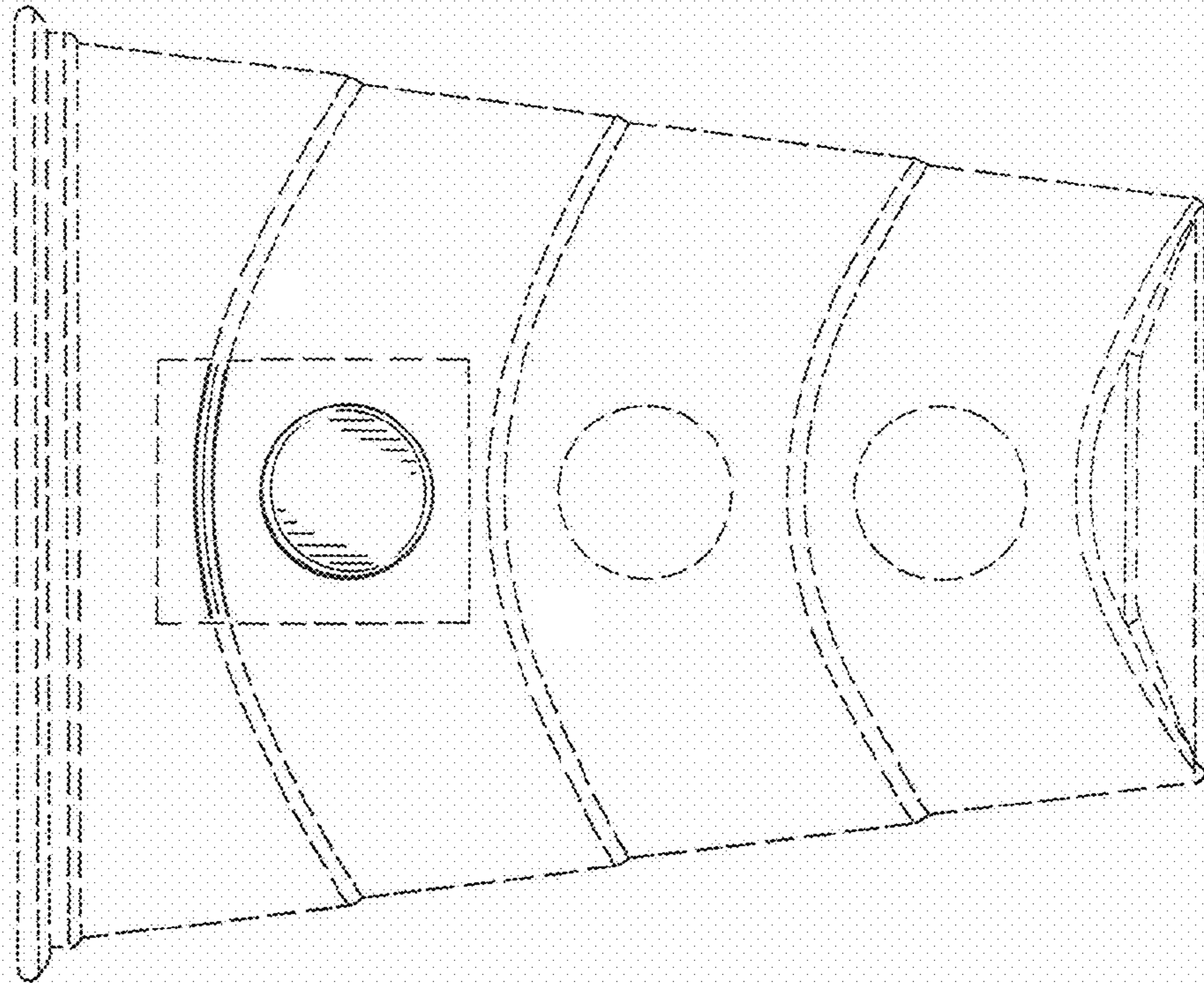


FIG. 3

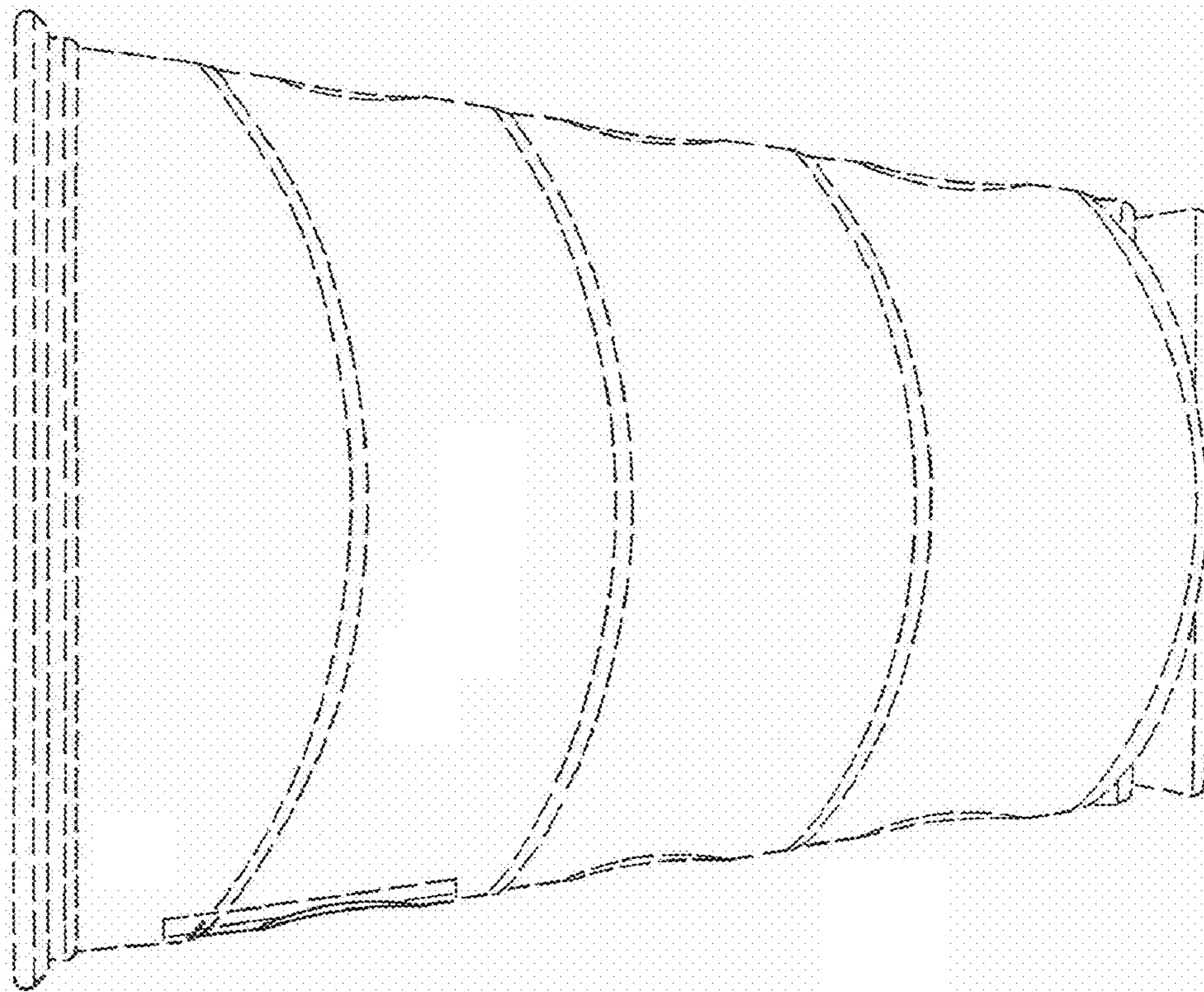


FIG. 4

