



US00D612200S

(12) **United States Design Patent**
Tetreault et al.

(10) **Patent No.:** **US D612,200 S**
(45) **Date of Patent:** **** Mar. 23, 2010**

(54) **SET OF RECESSED PORTIONS FOR A COOKWARE HANDLE**

(75) Inventors: **Joel Tetreault**, Roswell, GA (US); **Lars Blacken**, Roswell, GA (US)

(73) Assignee: **Calphalon Corporation**, Atlanta, GA (US)

(**) Term: **14 Years**

(21) Appl. No.: **29/327,341**

(22) Filed: **Nov. 4, 2008**

(51) **LOC (9) Cl.** **07-02**

(52) **U.S. Cl.** **D7/395**

(58) **Field of Classification Search** D7/354-361,
D7/393-395; D8/107, 300, 303, 307, 316-320;
D4/138, 129; 16/421, 430, 431, 110.1, 407;
220/573.1-573.5, 752, 753, 755, 756, 759,
220/771, 912

See application file for complete search history.

(56) **References Cited**

U.S. PATENT DOCUMENTS

| | | | |
|--------------|---------|-----------------------|--------|
| D239,798 S * | 5/1976 | Vrignaud | D8/316 |
| D316,806 S * | 5/1991 | Paulson et al. | D8/319 |
| D480,911 S * | 10/2003 | Logiudice et al. | D7/394 |
| D536,924 S * | 2/2007 | Levy et al. | D7/393 |
| D536,926 S * | 2/2007 | Schreitmueller | D7/398 |
| D537,294 S * | 2/2007 | Levy et al. | D7/393 |
| D564,334 S * | 3/2008 | Lee | D8/316 |

| | | | |
|--------------|---------|-----------------|--------|
| D564,335 S * | 3/2008 | Zhang | D8/316 |
| D564,857 S * | 3/2008 | Lee | D8/316 |
| D578,371 S * | 10/2008 | Matijevic | D8/316 |
| D588,403 S * | 3/2009 | Tetreault | D7/394 |
| D588,404 S * | 3/2009 | Tetreault | D7/394 |

* cited by examiner

Primary Examiner—Philip S Hyder

Assistant Examiner—Cynthia M Chin

(74) *Attorney, Agent, or Firm*—Gardner Groff Greenwald & Villanueva, PC

(57) **CLAIM**

The ornamental design for a set of recessed portions for a cookware handle, as shown and described.

DESCRIPTION

FIG. 1 is a perspective view of a set of recessed portions for a cookware handle according to the present invention.

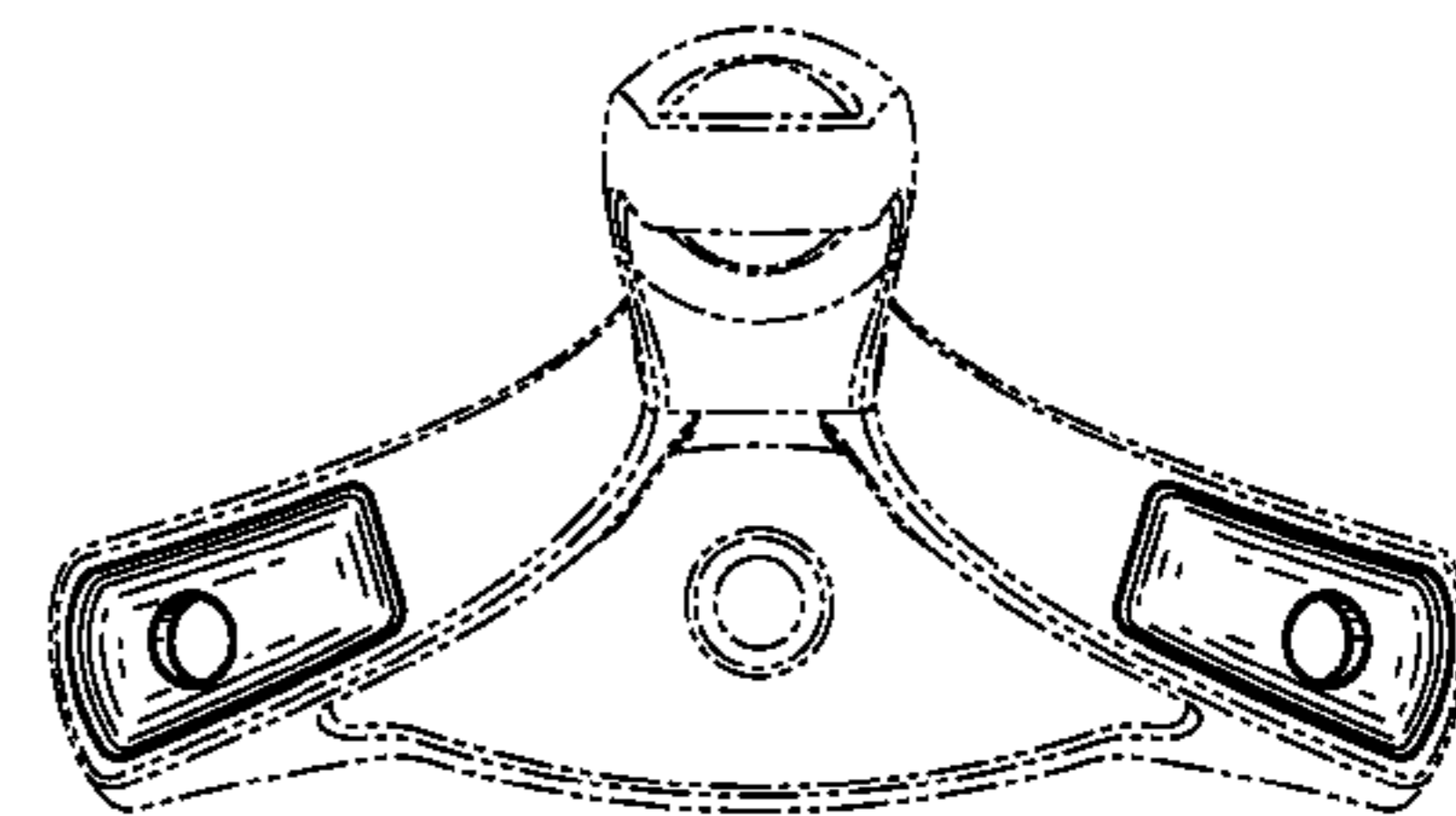
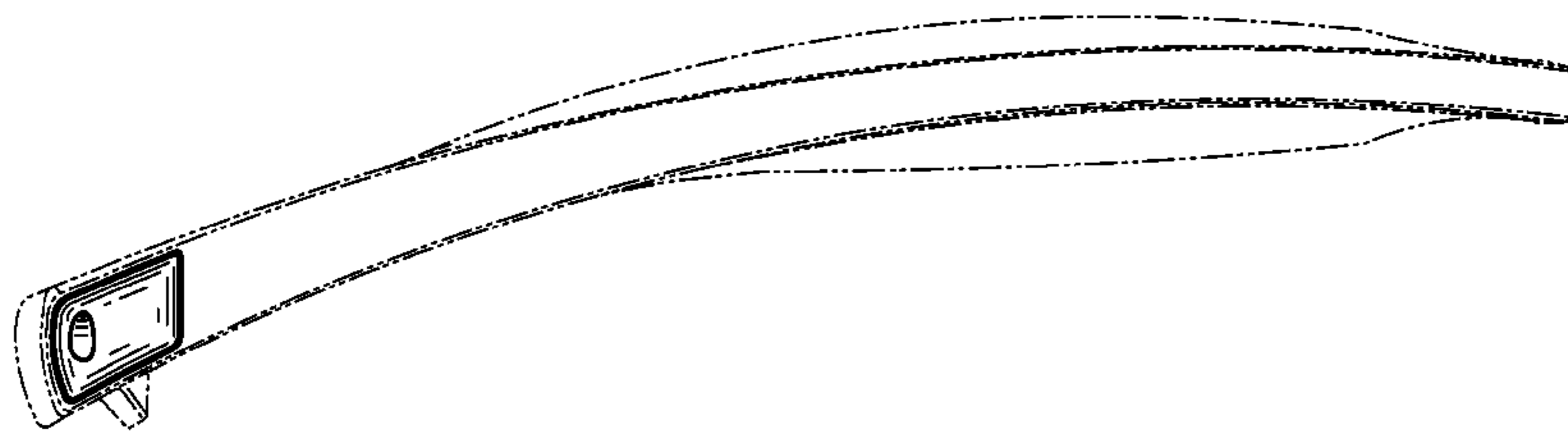
FIG. 2 is a side view of the set of recessed portions for the cookware handle of FIG. 1, the opposite side view being a mirror image thereof.

FIG. 3 is a front view of the set of recessed portions for the cookware handle of FIG. 1; and,

FIG. 4 is a rear view of the set of recessed portions for the cookware handle of FIG. 1.

The broken lines of FIGS. 1-4 are for illustrative purposes only and form no part of the claimed design.

1 Claim, 2 Drawing Sheets



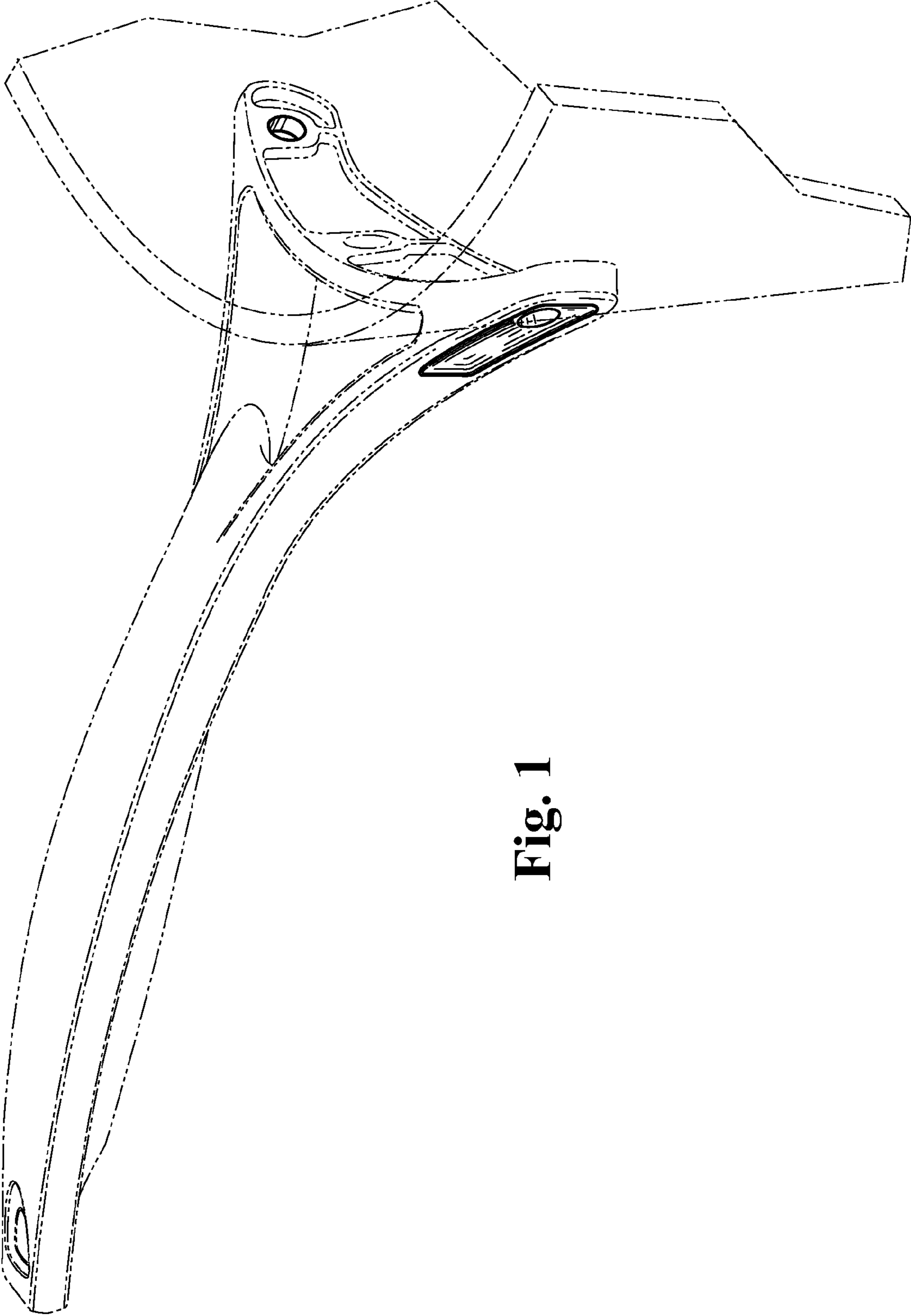


Fig. 1

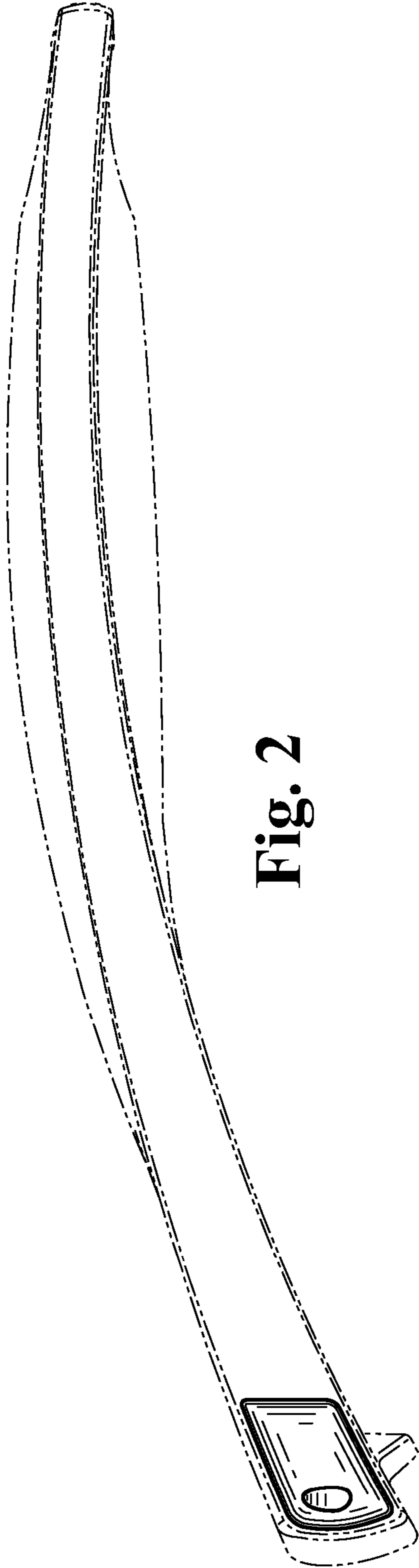


Fig. 2

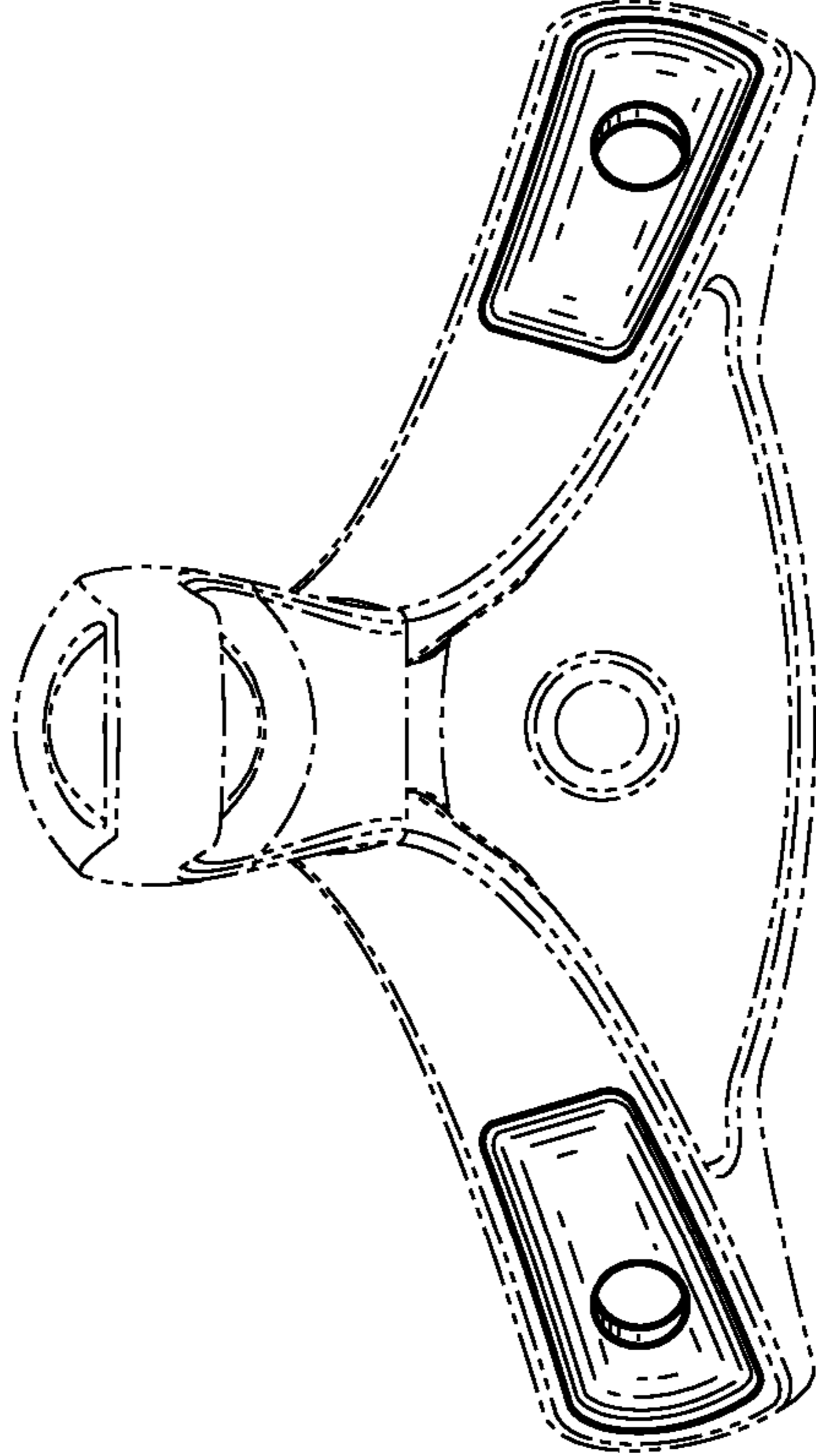


Fig. 3

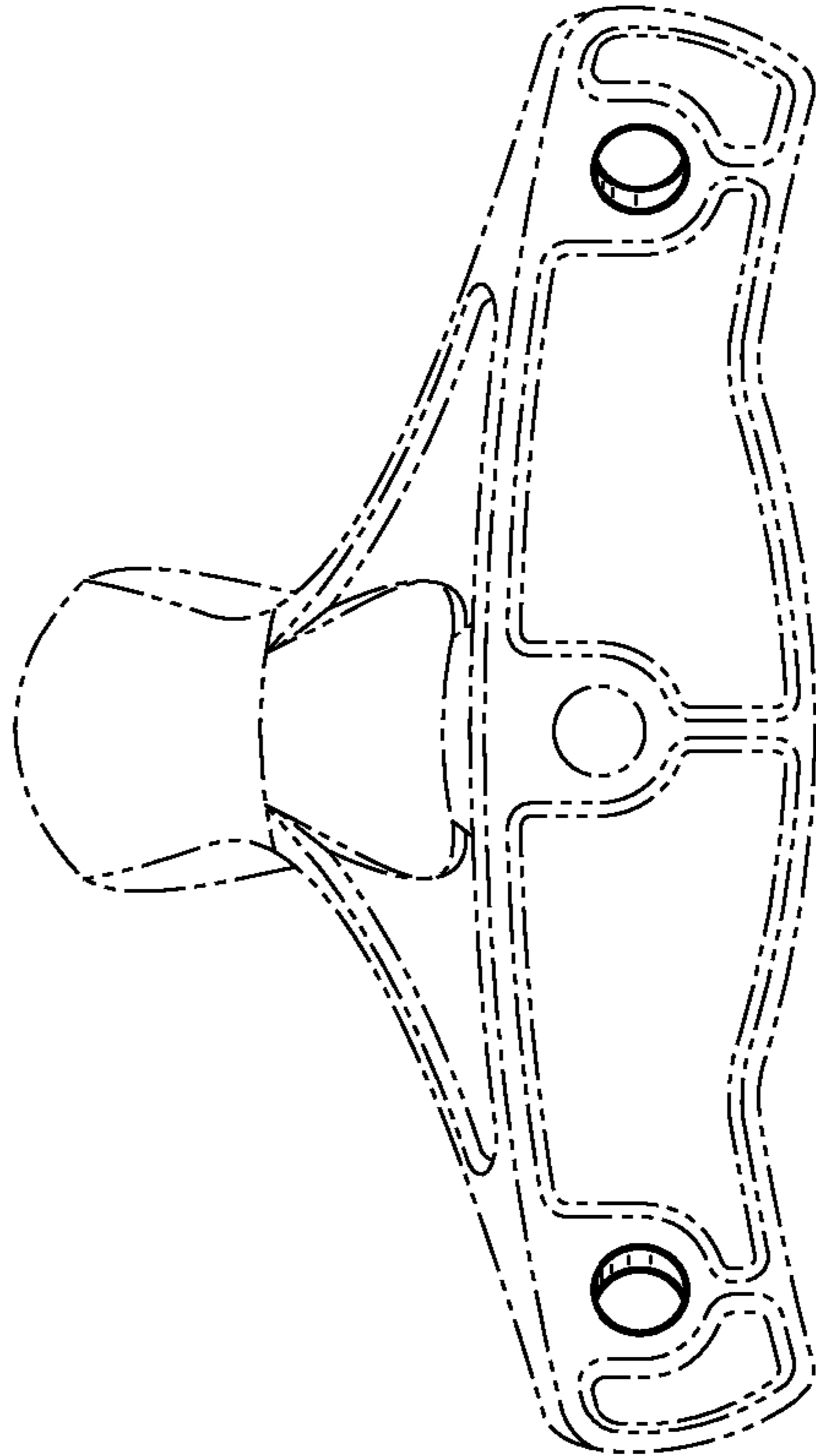


Fig. 4