



US00D612199S

(12) **United States Design Patent**
Tetreault et al.

(10) **Patent No.:** **US D612,199 S**
(45) **Date of Patent:** **** Mar. 23, 2010**

(54) **SET OF RECESSED PORTIONS FOR A COOKWARE HANDLE**

D564,335 S * 3/2008 Zhang D8/316
D564,857 S * 3/2008 Lee D8/316
D588,403 S * 3/2009 Tetreault D7/394
D588,404 S * 3/2009 Tetreault D7/394

(75) Inventors: **Joel Tetreault**, Roswell, GA (US); **Lars Blacken**, Roswell, GA (US)

* cited by examiner

(73) Assignee: **Calphalon Corporation**, Atlanta, GA (US)

Primary Examiner—Philip S Hyder
Assistant Examiner—Cynthia M Chin

(**) Term: **14 Years**

(74) *Attorney, Agent, or Firm*—Gardner Groff Greenwald & Villanueva, PC

(21) Appl. No.: **29/327,339**

(57) **CLAIM**

(22) Filed: **Nov. 4, 2008**

The ornamental design for a set of recessed portions for a cookware handle, as shown and described.

(51) **LOC (9) Cl.** **07-02**

(52) **U.S. Cl.** **D7/395**

(58) **Field of Classification Search** D7/354–361,
D7/393–395; D8/107, 300, 303, 307, 316–320;
D4/138, 129; 16/421, 430, 431, 110.1, 407;
220/573.1–573.5, 752, 753, 755, 756, 759,
220/771, 912

DESCRIPTION

See application file for complete search history.

FIG. 1 is a perspective view of a set of recessed portions for a cookware handle according to the present invention.

FIG. 2 is a side view of the set of recessed portions for the cookware handle of FIG. 1, the opposite side view being a mirror image thereof.

(56) **References Cited**

FIG. 3 is a front view of the set of recessed portions for the cookware handle of FIG. 1; and,

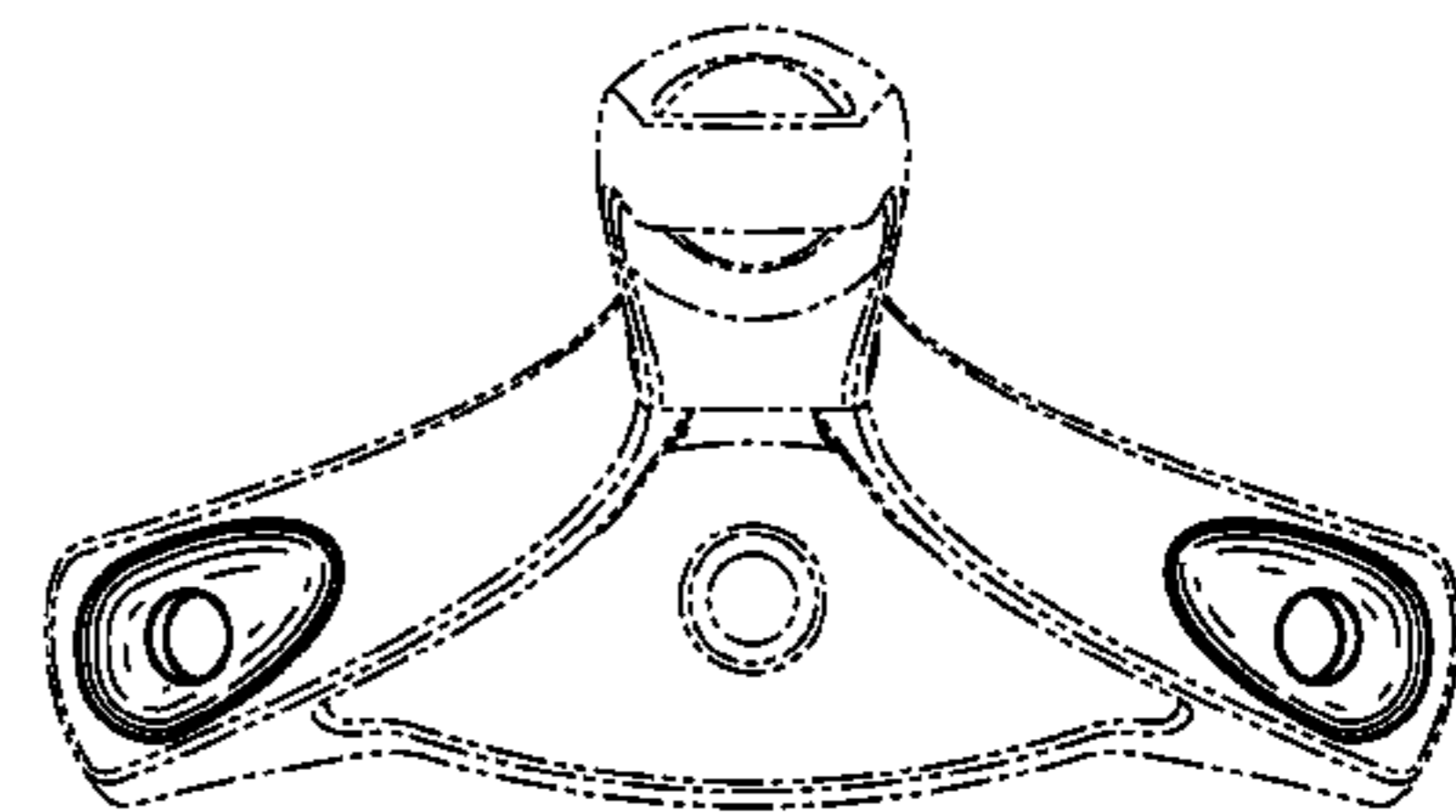
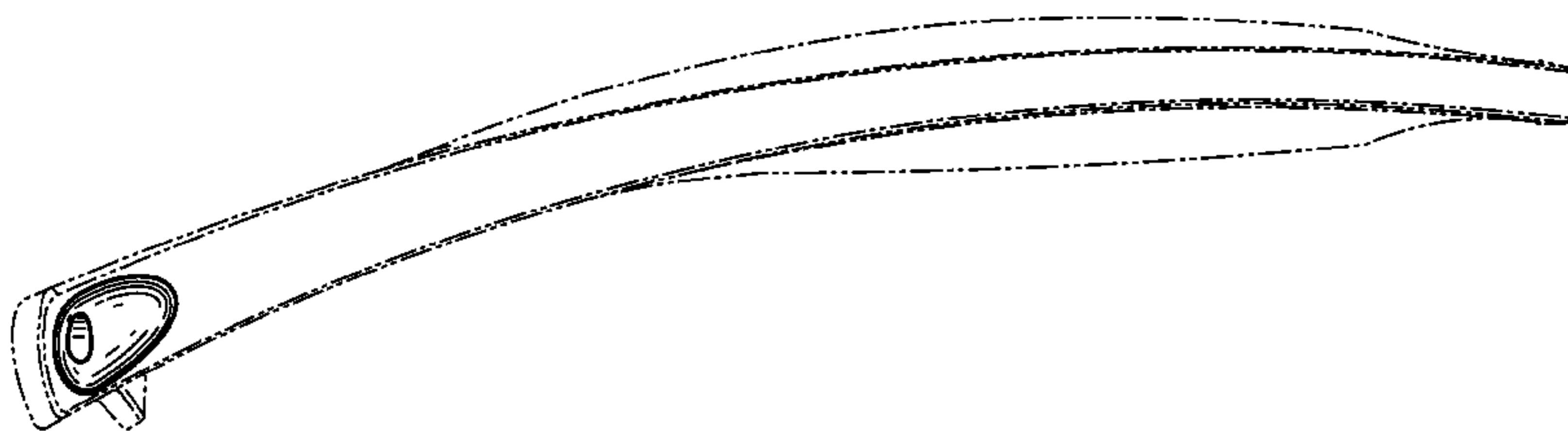
U.S. PATENT DOCUMENTS

FIG. 4 is a rear view of the set of recessed portions for the cookware handle of FIG. 1.

D316,806 S * 5/1991 Paulson et al. D8/319
D480,911 S * 10/2003 Logiudice et al. D7/394
D536,924 S * 2/2007 Levy et al. D7/393
D536,926 S * 2/2007 Schreitmueller D7/398
D537,294 S * 2/2007 Levy et al. D7/393
D564,334 S * 3/2008 Lee D8/316

The broken lines of FIGS. 1–4 are for illustrative purposes only and form no part of the claimed design.

1 Claim, 2 Drawing Sheets



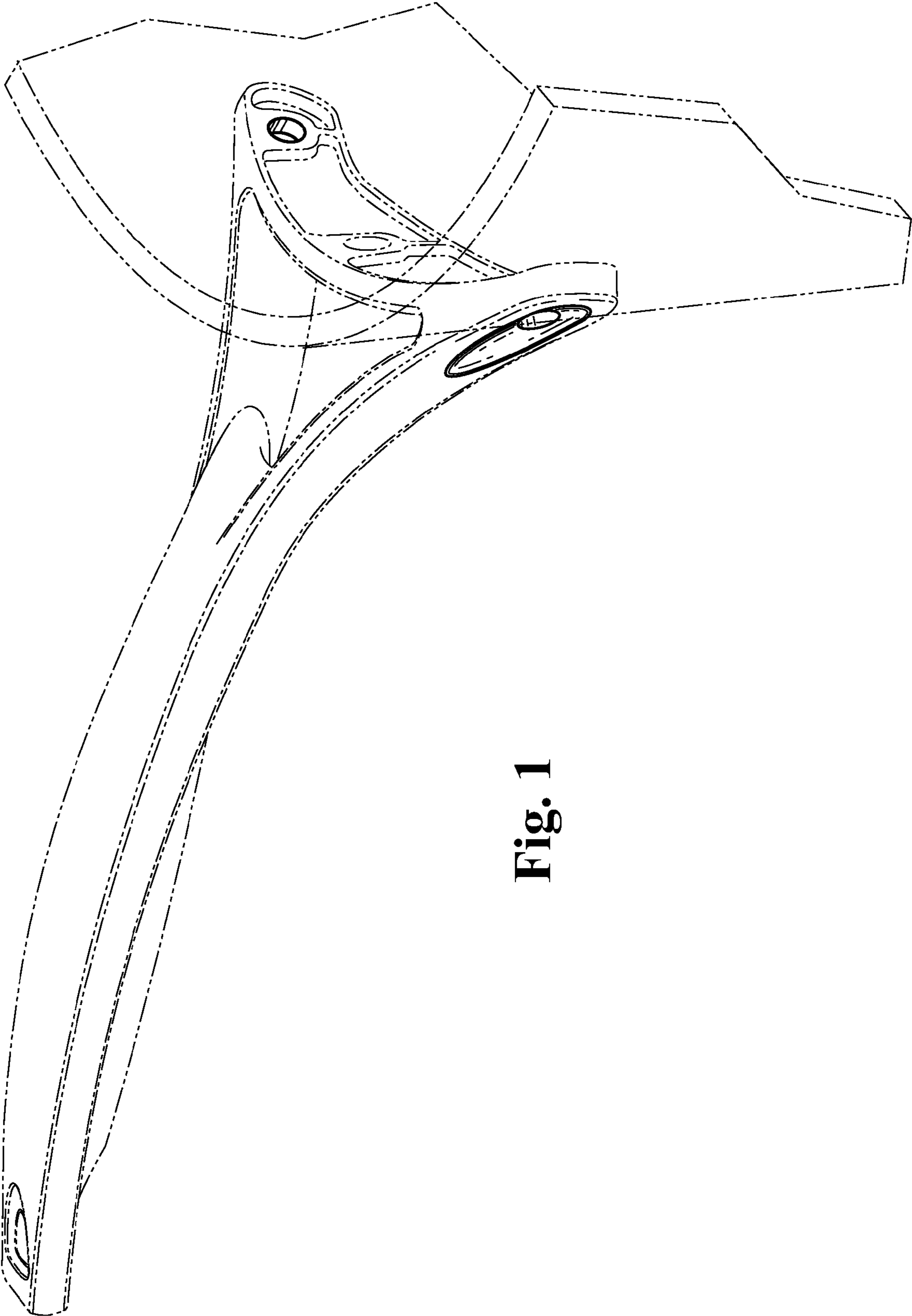


Fig. 1

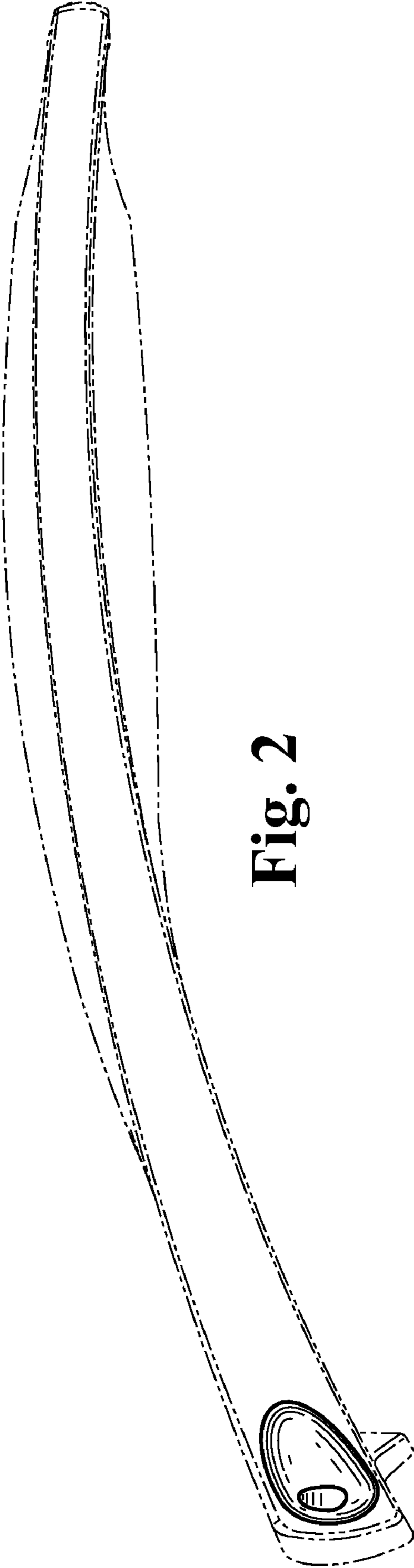


Fig. 2

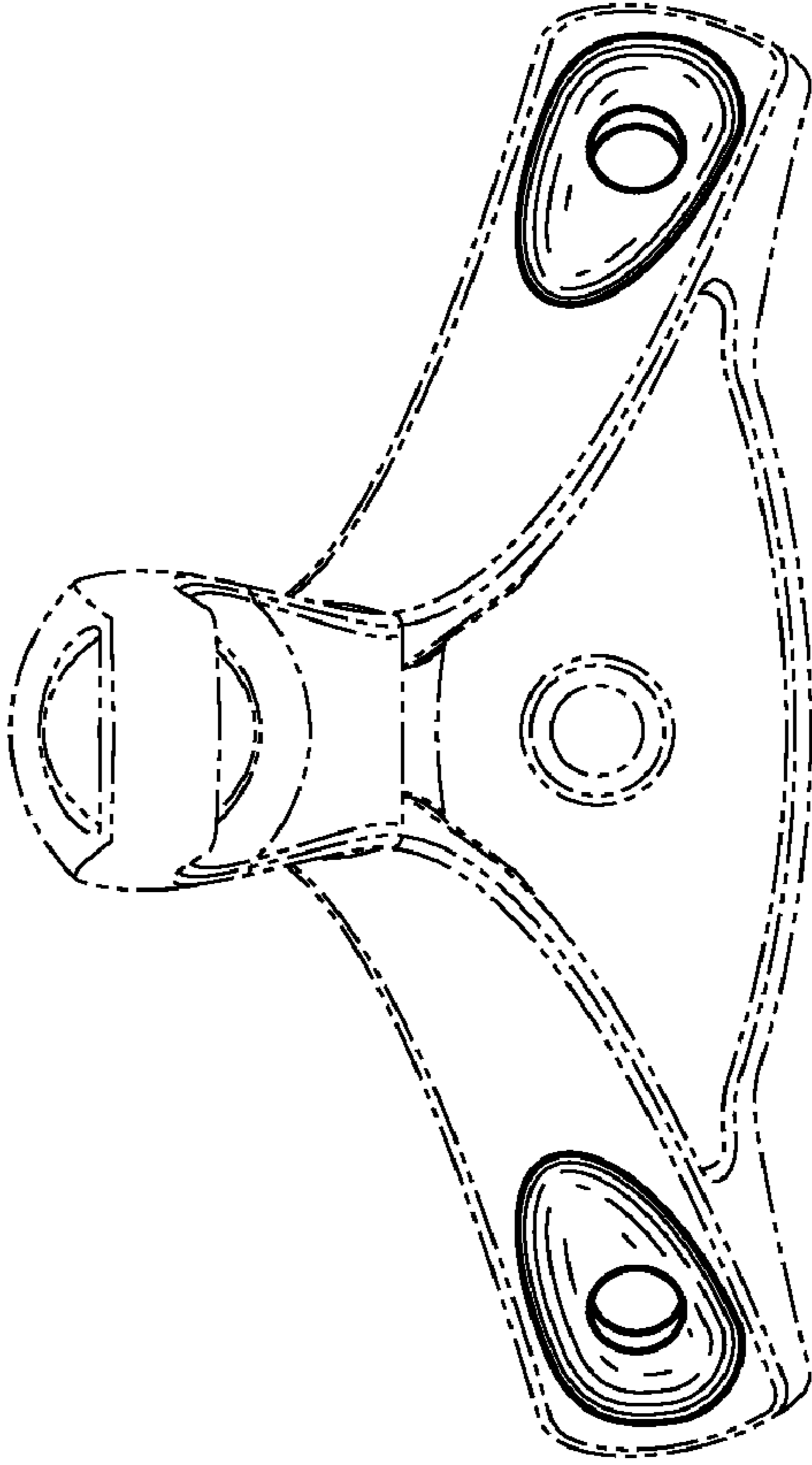


Fig. 3

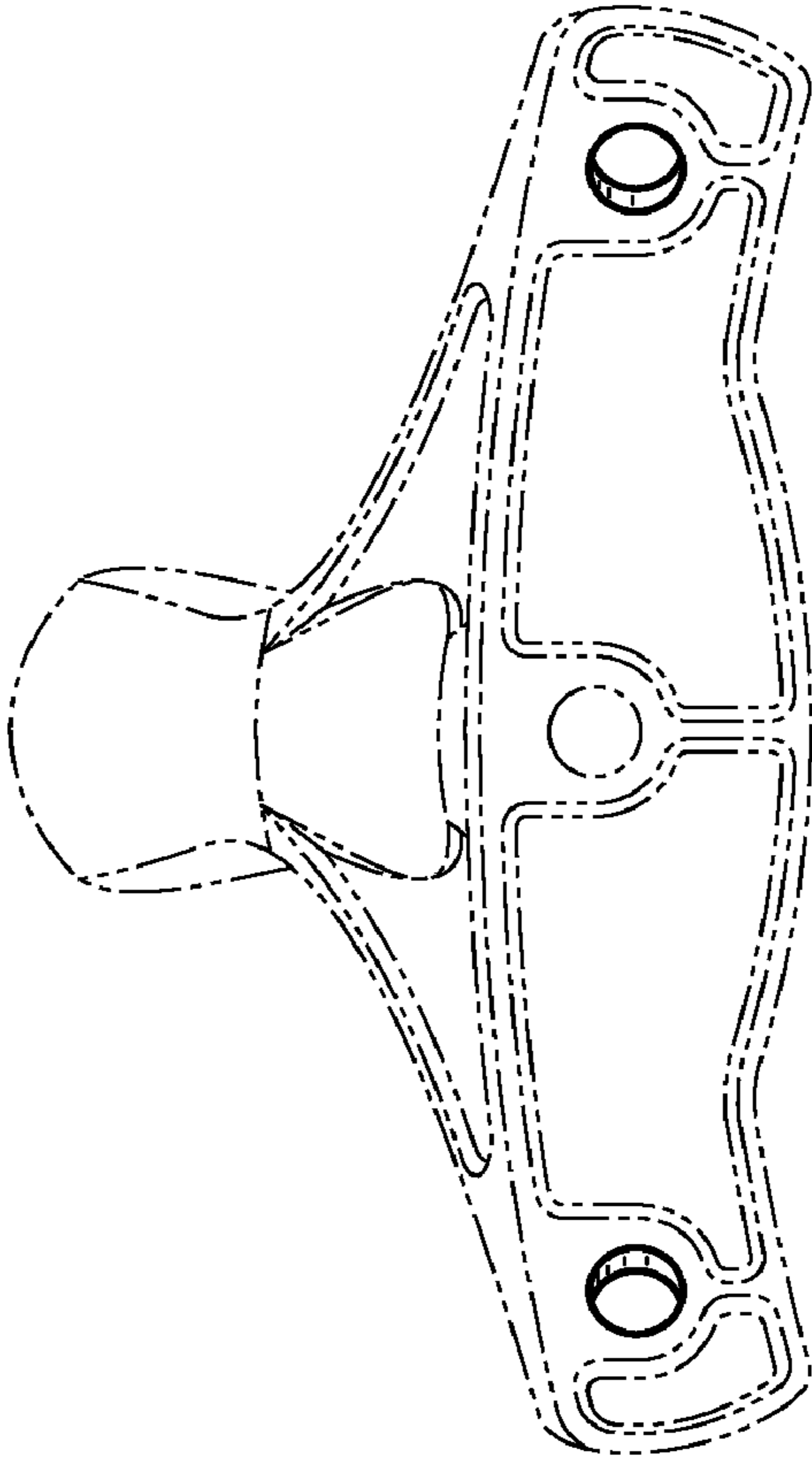


Fig. 4