



US00D612198S

(12) **United States Design Patent**
Molayem

(10) **Patent No.:** **US D612,198 S**
(45) **Date of Patent:** **** Mar. 23, 2010**

(54) **COOKING VESSEL HANDLE**
(75) Inventor: **Daryoosh Molayem**, Beverly Hills, CA (US)
(73) Assignee: **Tabletops Unlimited, Inc.**, Carson, CA (US)

(**) Term: **14 Years**
(21) Appl. No.: **29/337,508**
(22) Filed: **May 22, 2009**

(51) **LOC (9) Cl.** **07-02**
(52) **U.S. Cl.** **D7/394**
(58) **Field of Classification Search** D7/354-361, D7/393-395; D8/107, 300, 301, 307, 315, D8/316, 317, 318, 319, 320; 16/430, 431, 16/110.1, 407, 429, 441, 443; 220/573.1-573.5, 220/752, 753, 755, 756, 912
See application file for complete search history.

(56) **References Cited**

U.S. PATENT DOCUMENTS

D384,266 S * 9/1997 Mantarakis et al. D8/301
D384,573 S * 10/1997 Lee D8/318
D389,722 S * 1/1998 Blom D8/319
D438,426 S * 3/2001 Yu et al. D7/394
D448,647 S * 10/2001 Goldsbury D8/319
D458,077 S * 6/2002 Candianides D7/360

D521,312 S * 5/2006 Pukall et al. D7/360
D551,534 S * 9/2007 Liang et al. D8/301
D563,722 S * 3/2008 Thurlow et al. D7/394
D578,346 S * 10/2008 Rae D7/394
D588,401 S * 3/2009 Rae D7/394
D592,932 S * 5/2009 Jones et al. D8/302

* cited by examiner

Primary Examiner—Philip S Hyder
Assistant Examiner—Cynthia M Chin
(74) *Attorney, Agent, or Firm*—Blakely, Sokoloff, Taylor & Zafman, LLP

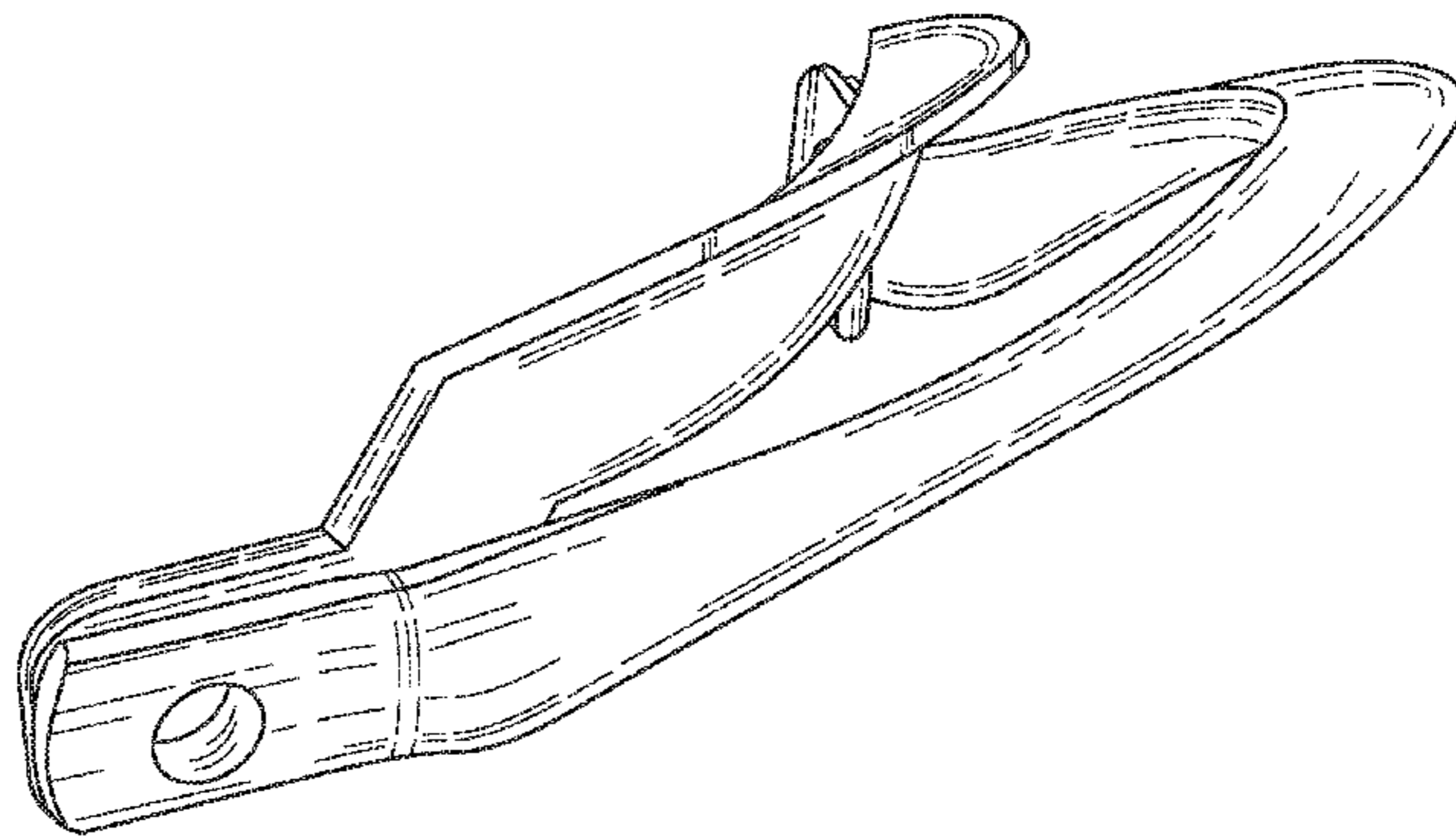
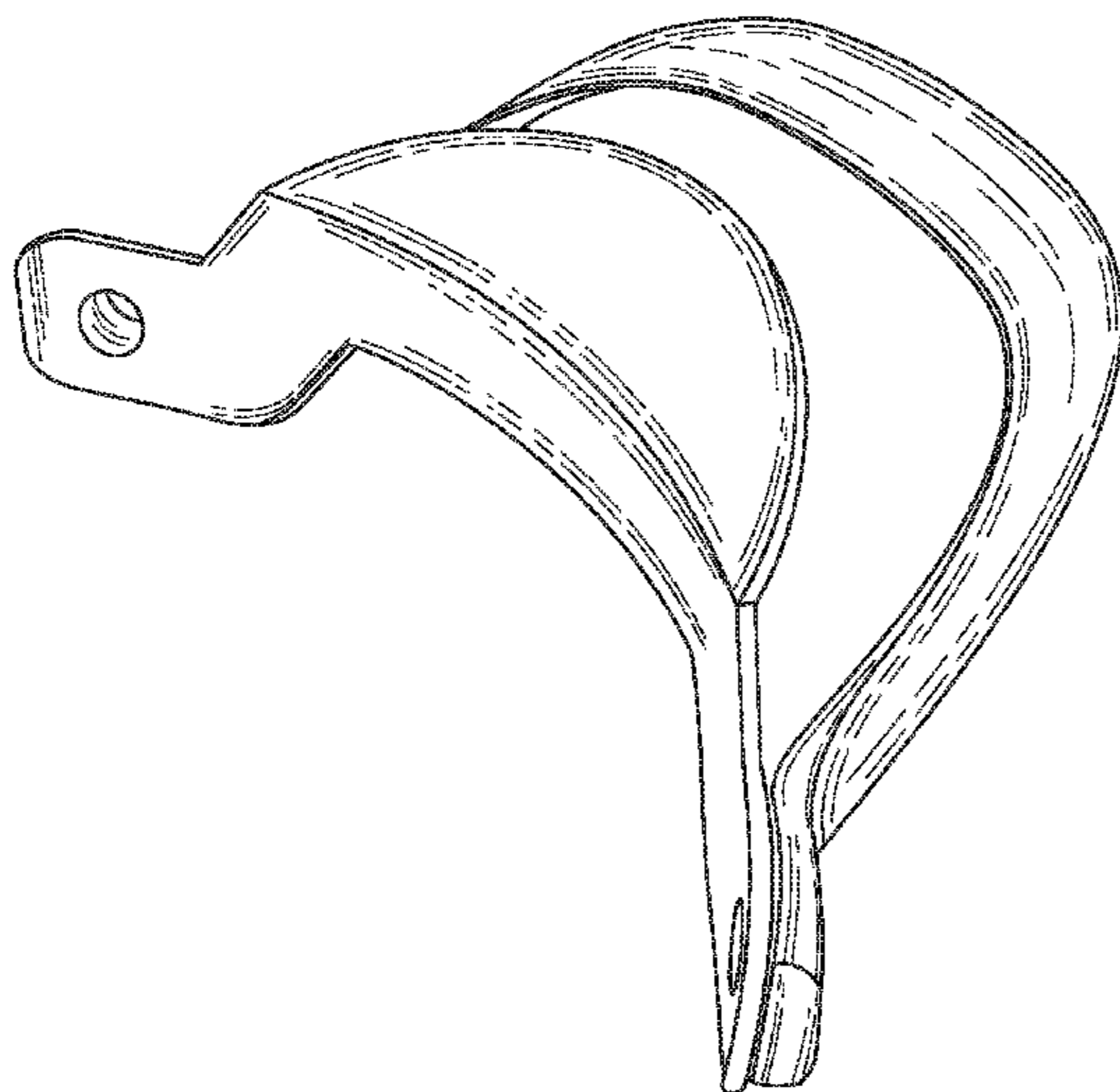
(57) **CLAIM**

The ornamental design for a cooking vessel handle, as shown and described.

DESCRIPTION

FIG. 1 shows a rear perspective view of the handle.
FIG. 2 is a front perspective view of the handle.
FIG. 3 is a front view of the handle.
FIG. 4 is a rear view of the pot handle.
FIG. 5 is a top view of the handle.
FIG. 6 is a bottom view of the handle.
FIG. 7 is a left side view of the handle; and,
FIG. 8 is a right side view of the handle.

1 Claim, 6 Drawing Sheets



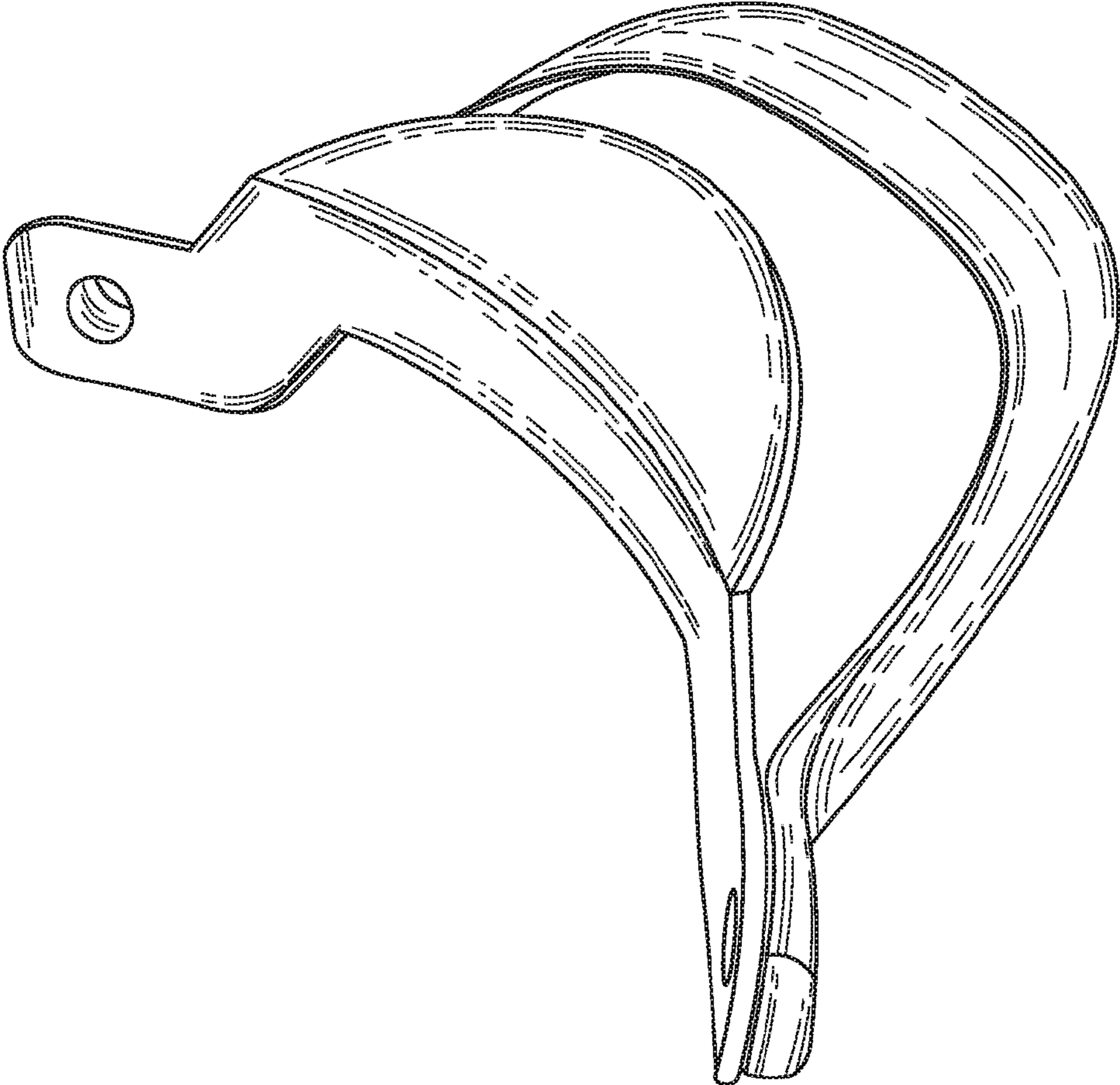


FIG 1

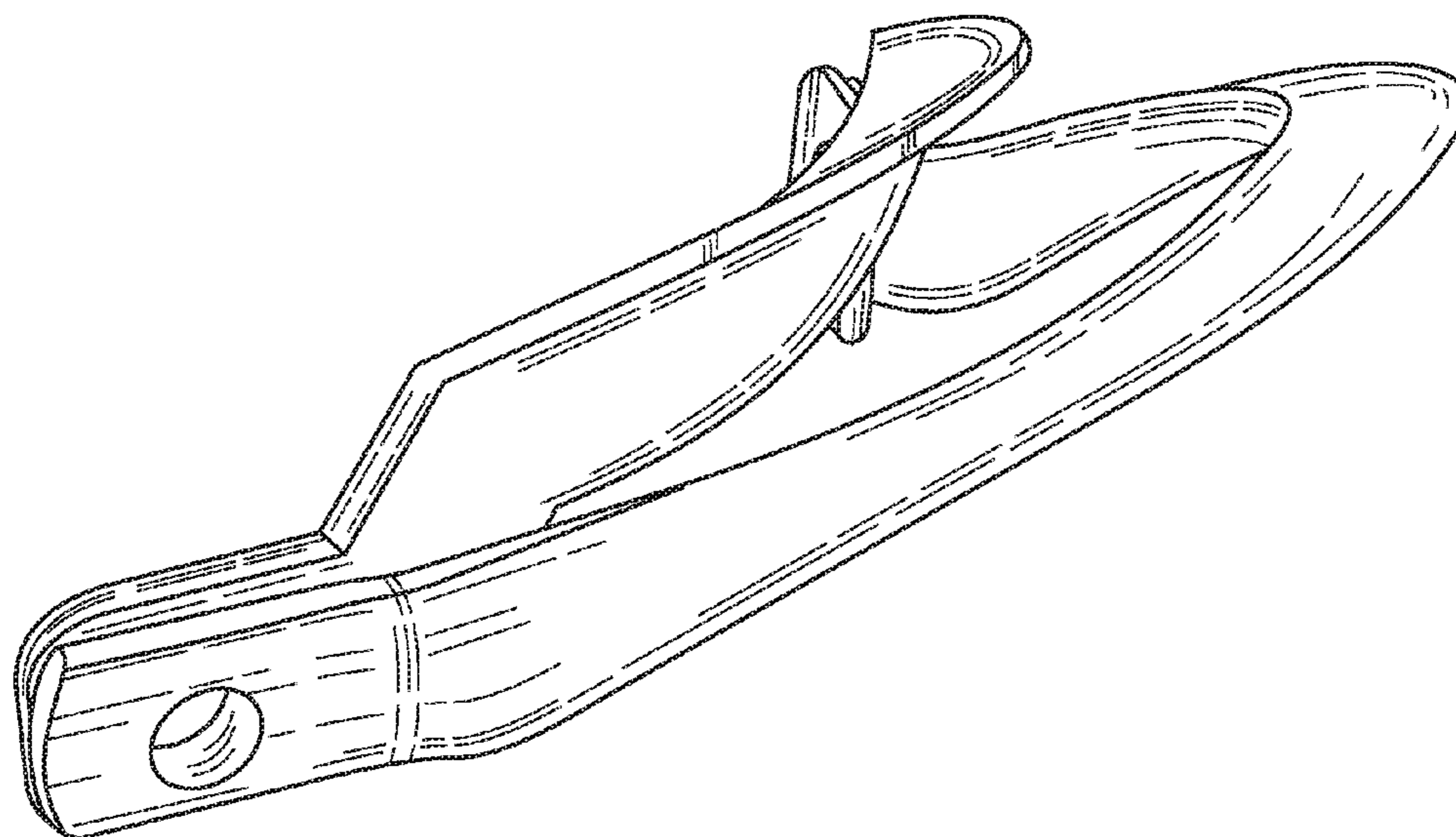


FIG. 2

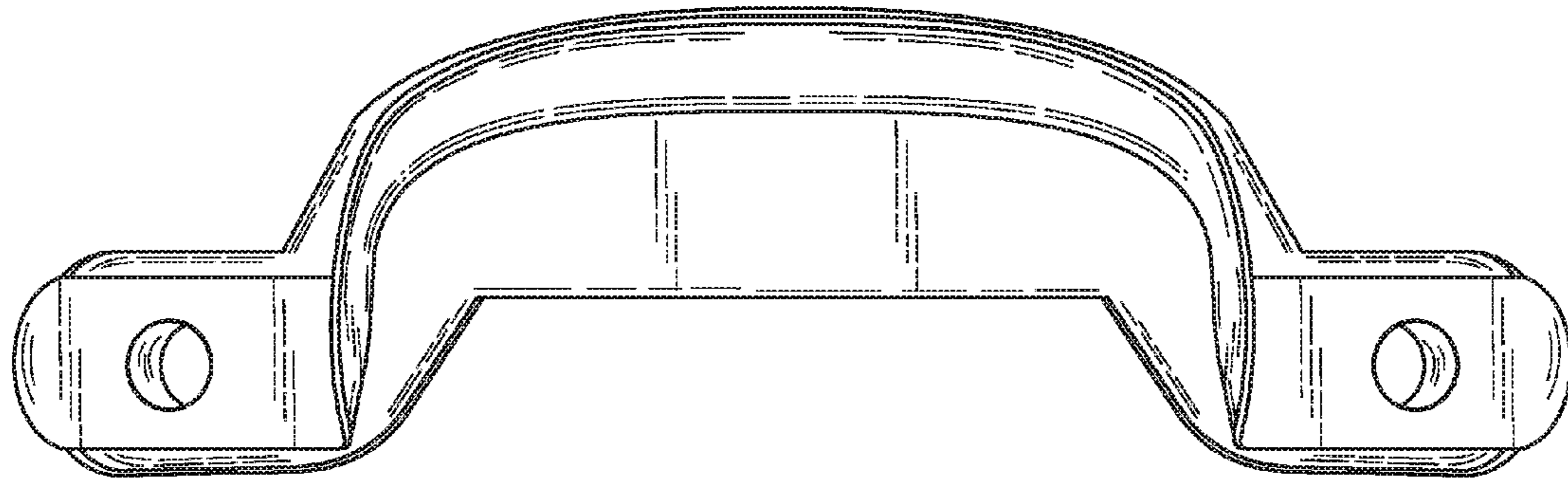


FIG 3

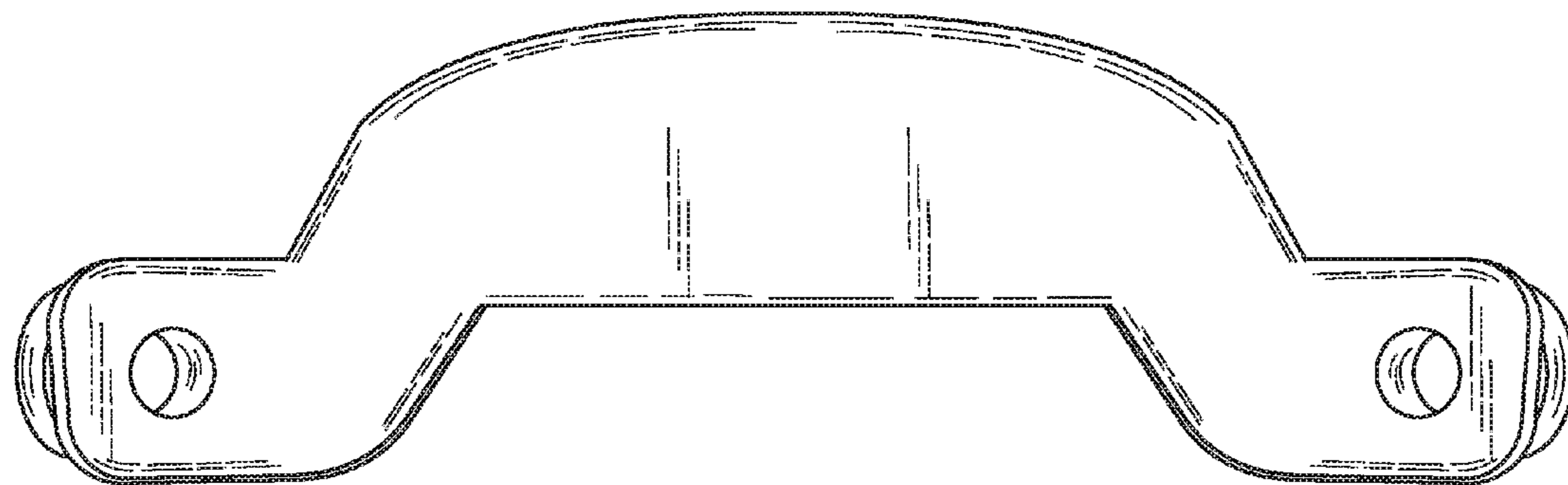


FIG. 4

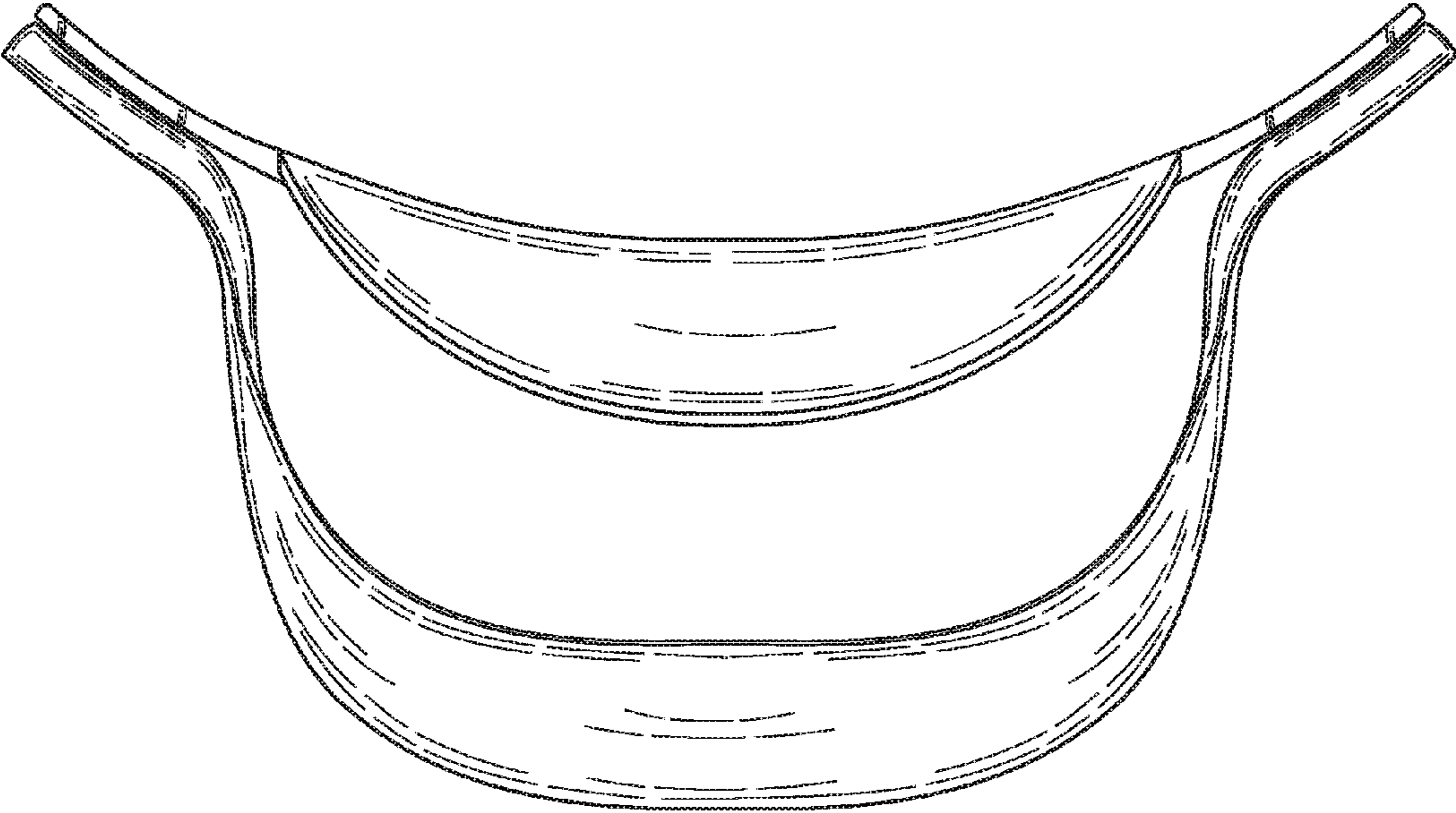


FIG. 5

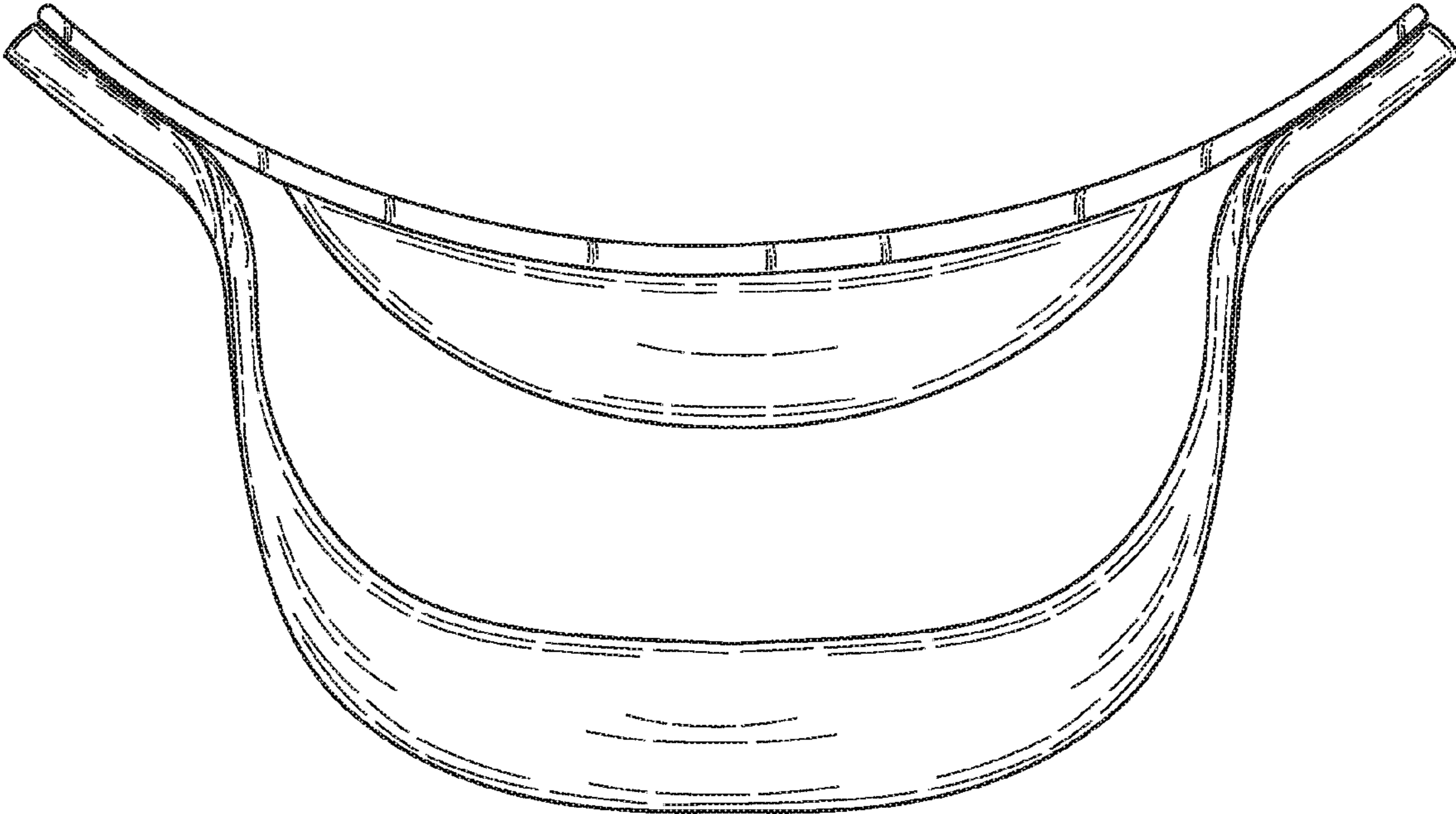


FIG. 6

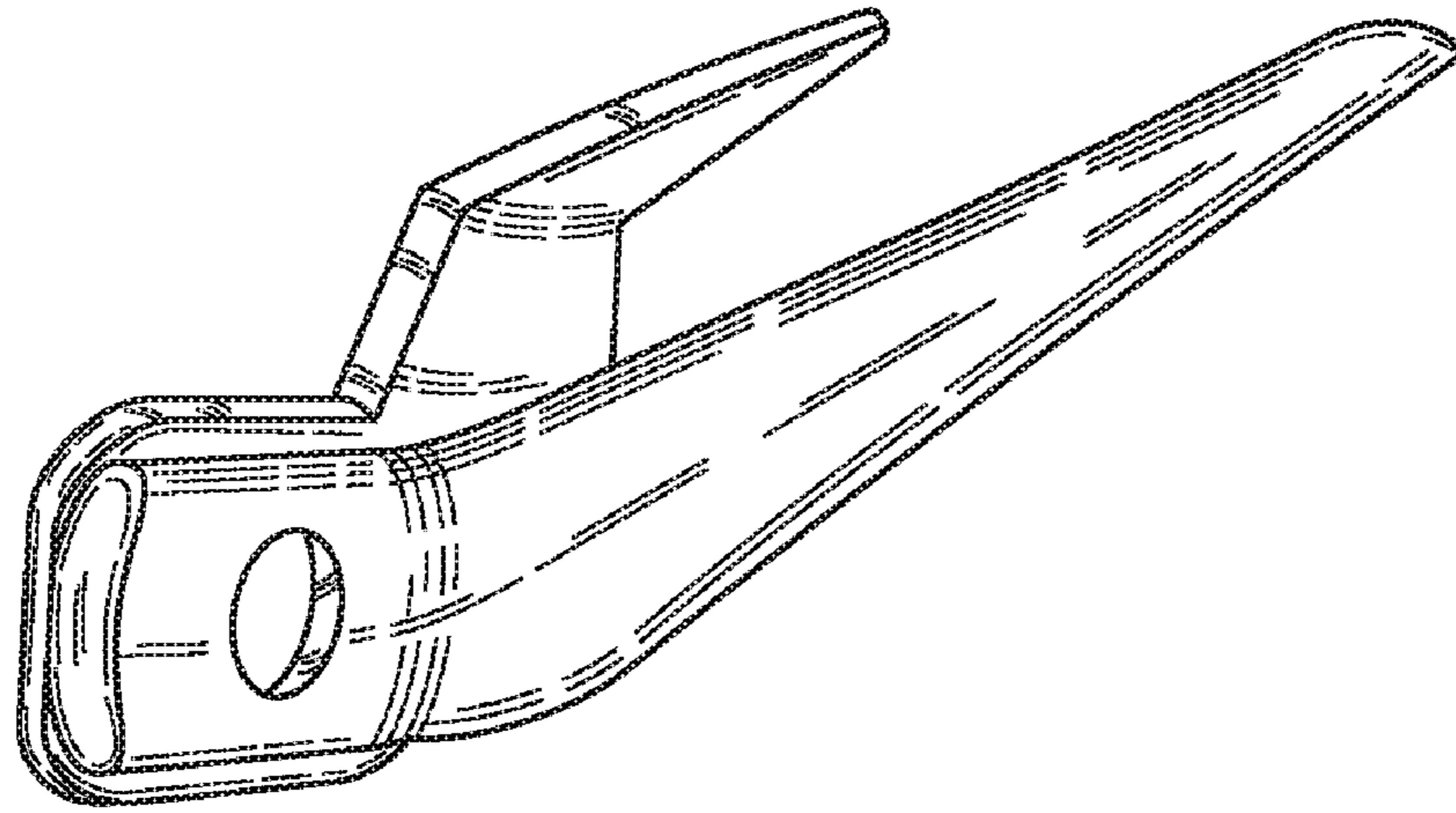


FIG. 7

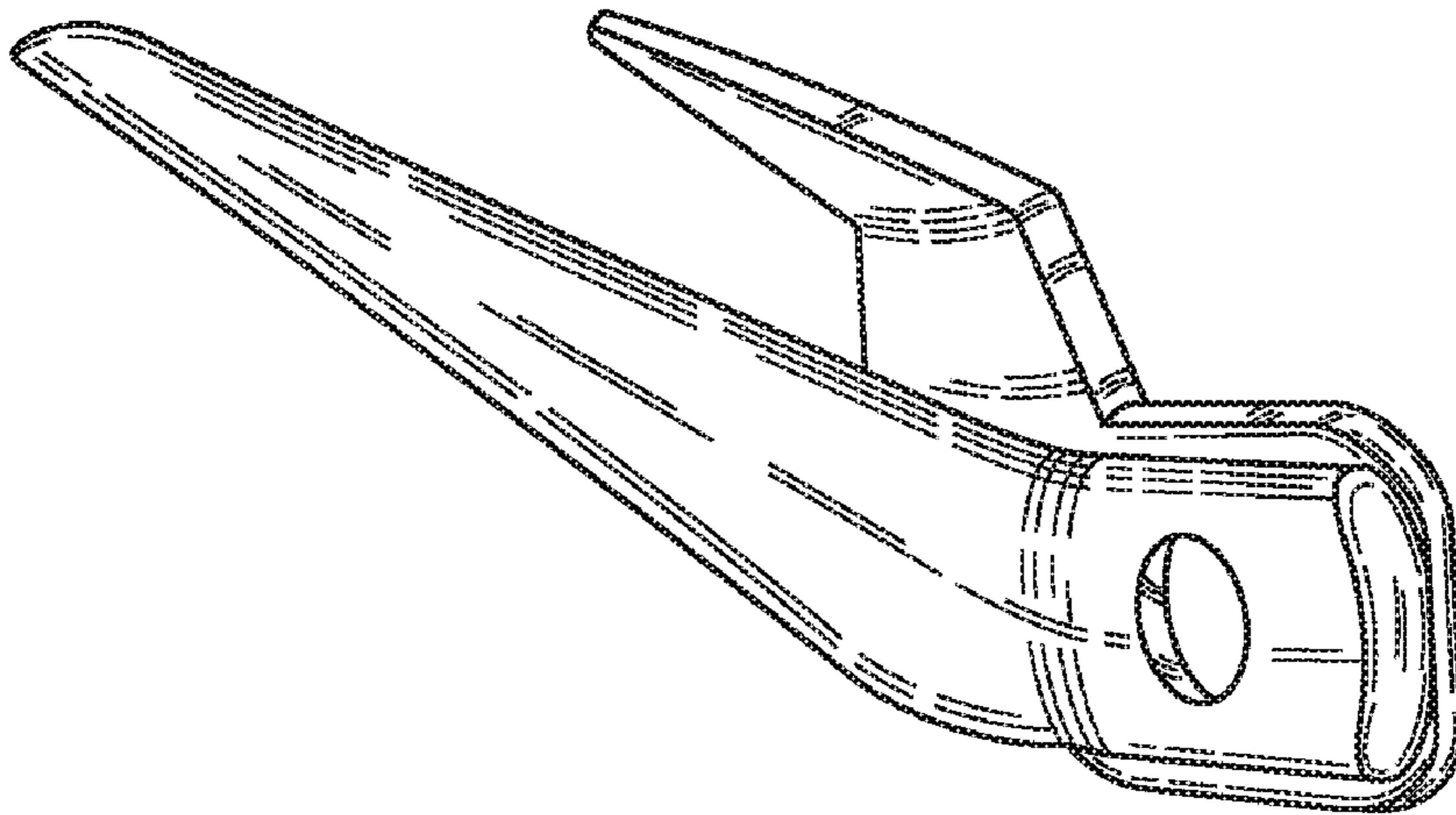


FIG. 8