



US00D612195S

(12) **United States Design Patent**  
**Liu**

(10) **Patent No.:** **US D612,195 S**  
(45) **Date of Patent:** **\*\* Mar. 23, 2010**

(54) **STAND MIXER**

(75) Inventor: **Wei Liu**, Chicago, IL (US)

(73) Assignee: **Sears Brands, L.L.C.**, Hoffman Estates, IL (US)

(\*\*) Term: **14 Years**

(21) Appl. No.: **29/341,573**

(22) Filed: **Aug. 7, 2009**

(51) **LOC (9) Cl.** ..... **31-00**

(52) **U.S. Cl.** ..... **D7/379**

(58) **Field of Classification Search** ..... D7/317-318,  
D7/356, 376-386, 412-415, 665; 99/348,  
99/509-511; 241/30-37.5, 101.01-101.2,  
241/166-169.1, 274-278.2, 285.1-285.3,  
241/291, 292.1; 366/64-67, 98, 142, 192,  
366/197-211, 203-207, 241-254, 279-292,  
366/341-347; 476/58

See application file for complete search history.

(56) **References Cited**

**U.S. PATENT DOCUMENTS**

|               |         |                |       |         |
|---------------|---------|----------------|-------|---------|
| D162,875 S *  | 4/1951  | Polivka et al. | ..... | D7/379  |
| D189,936 S *  | 3/1961  | Grange         | ..... | D7/379  |
| D209,072 S *  | 10/1967 | Duncan         | ..... | D7/379  |
| D286,258 S *  | 10/1986 | Grange         | ..... | D7/379  |
| 4,893,942 A * | 1/1990  | Stottmann      | ..... | 366/279 |
| 4,900,160 A * | 2/1990  | Brooks et al.  | ..... | 366/347 |
| D319,555 S *  | 9/1991  | Thomas         | ..... | D7/379  |
| D322,010 S *  | 12/1991 | Doggett        | ..... | D7/379  |
| D394,781 S *  | 6/1998  | Doggett        | ..... | D7/379  |
| D400,759 S *  | 11/1998 | Doggett        | ..... | D7/379  |
| D436,497 S *  | 1/2001  | Nalbandian     | ..... | D7/379  |

|              |         |               |       |        |
|--------------|---------|---------------|-------|--------|
| D447,907 S * | 9/2001  | Po-Hei        | ..... | D7/379 |
| D489,569 S * | 5/2004  | Smith et al.  | ..... | D7/379 |
| D489,936 S * | 5/2004  | Smith et al.  | ..... | D7/379 |
| D499,604 S * | 12/2004 | Hooper et al. | ..... | D7/379 |
| D502,841 S * | 3/2005  | Santer        | ..... | D7/379 |
| D533,017 S * | 12/2006 | Wilson        | ..... | D7/376 |
| D584,916 S * | 1/2009  | Christou      | ..... | D7/376 |

**FOREIGN PATENT DOCUMENTS**

|    |                    |        |
|----|--------------------|--------|
| GB | 2435434 A *        | 8/2007 |
| WO | WO 2005034699 A1 * | 4/2005 |

\* cited by examiner

*Primary Examiner*—Caron Veynar

*Assistant Examiner*—Ricky Pham

(74) *Attorney, Agent, or Firm*—Eric J. Maiers; Greenberg Traurig, LLP

(57) **CLAIM**

What is claimed is the ornamental design for a stand mixer, as shown and described.

**DESCRIPTION**

FIG. 1 is a perspective view of a stand mixer;

FIG. 2 is a first side-view of the stand mixer;

FIG. 3 is a second side-view of the stand mixer;

FIG. 4 is a front view of the stand mixer;

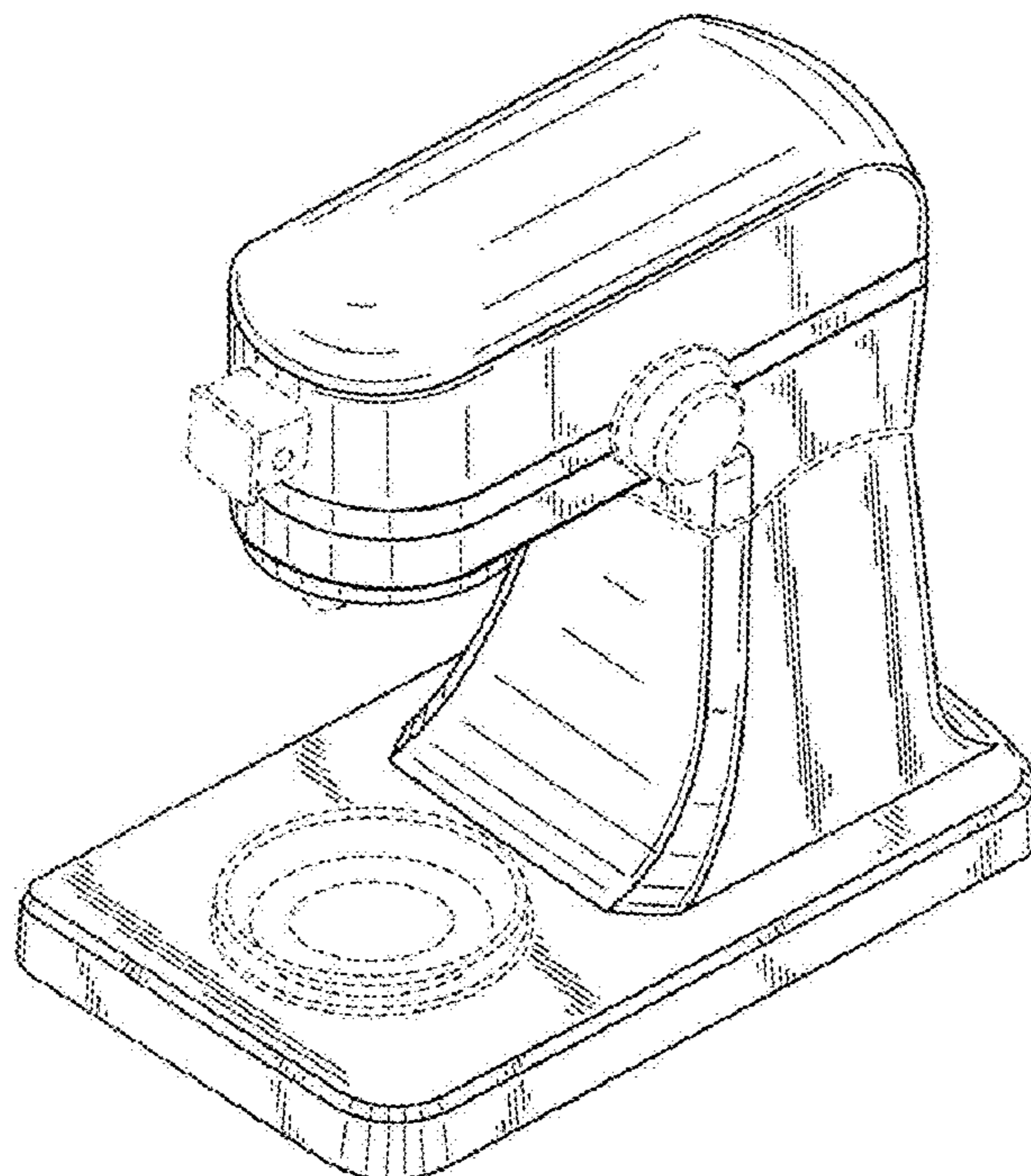
FIG. 5 is a rear view of the stand mixer;

FIG. 6 is a top view of the stand mixer; and,

FIG. 7 is a bottom view of the stand mixer.

The dotted lines are provided for illustrative purposes only and form no part of the design claimed.

**1 Claim, 6 Drawing Sheets**



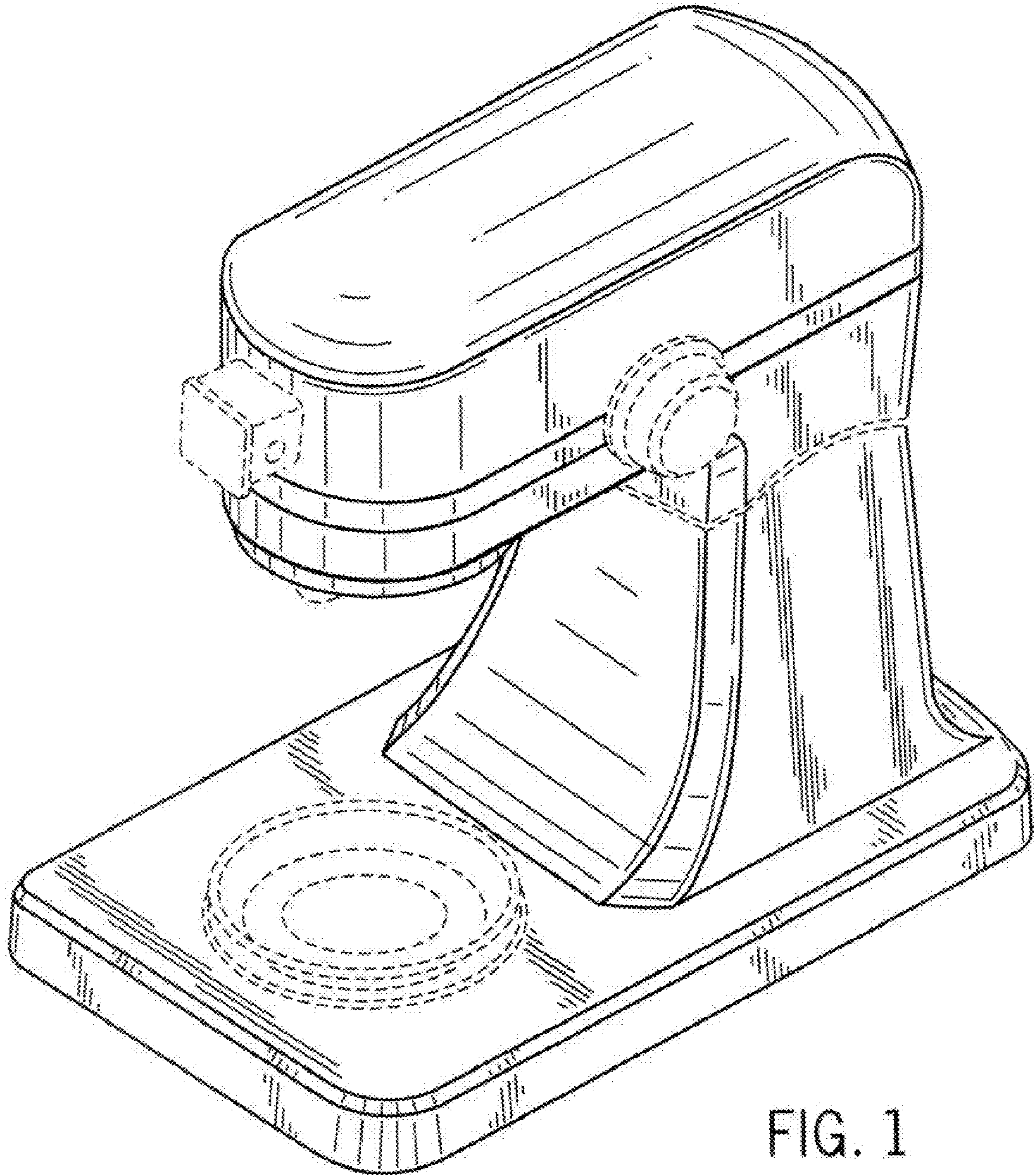


FIG. 1



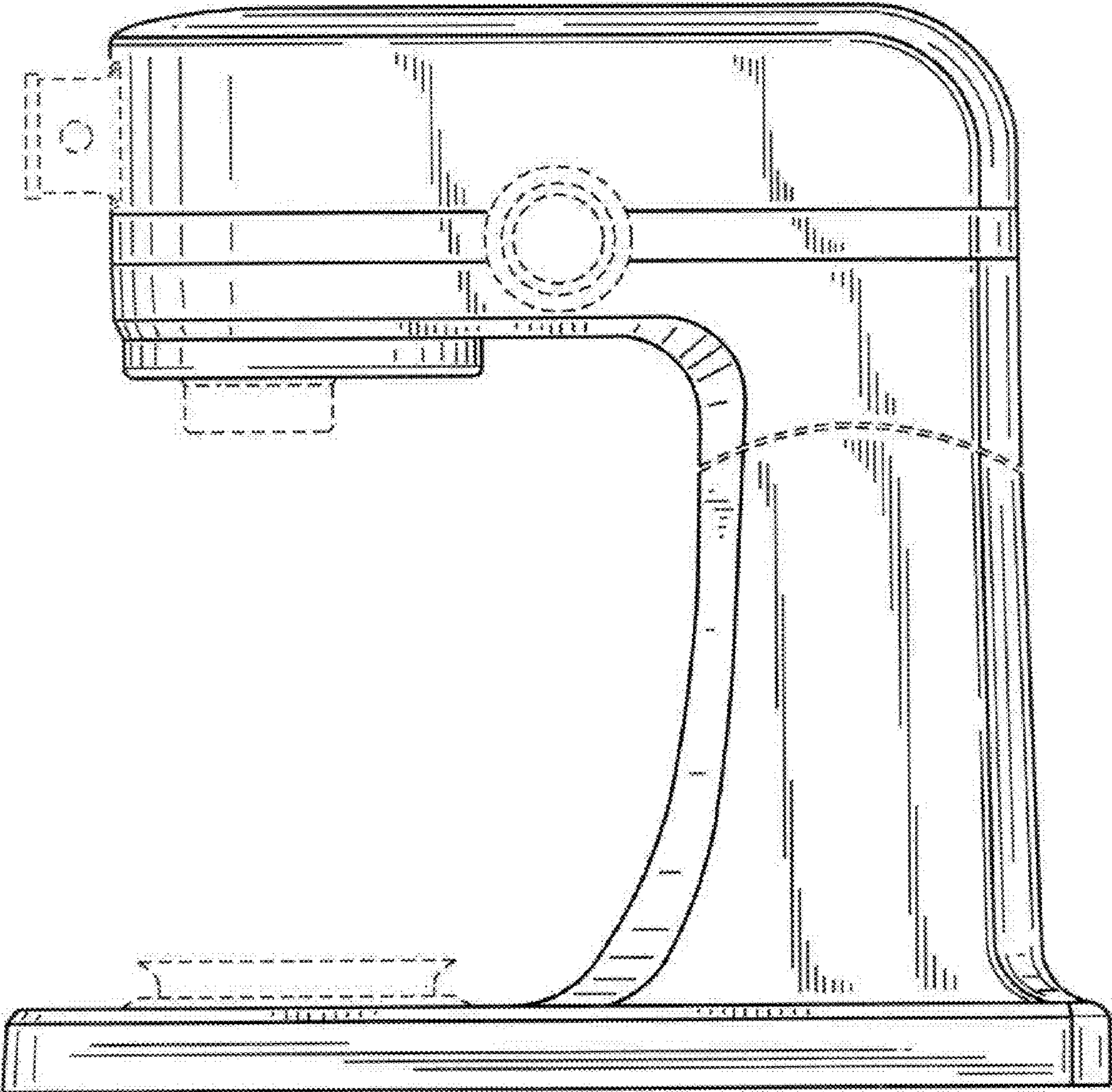


FIG. 2

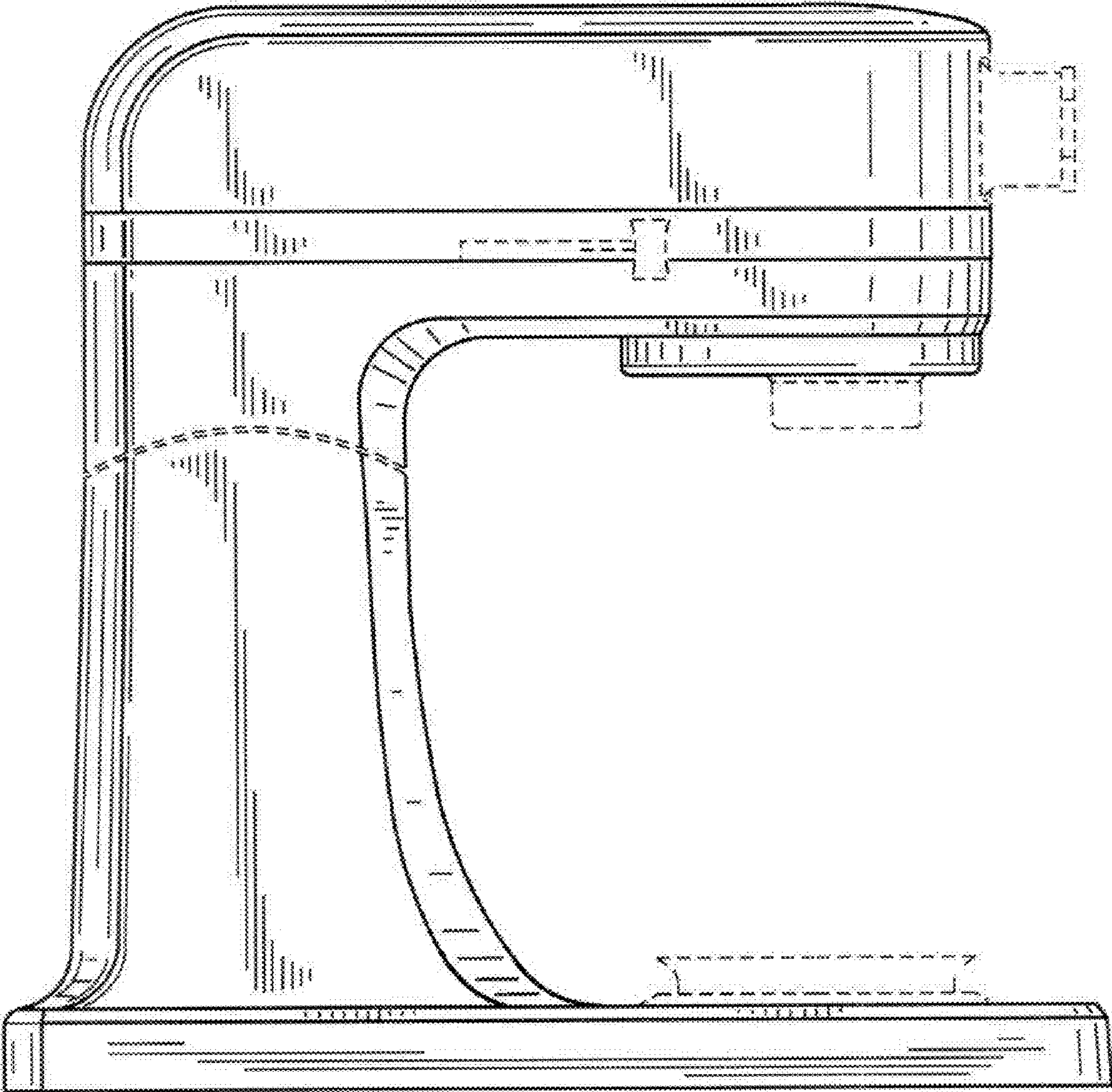


FIG. 3



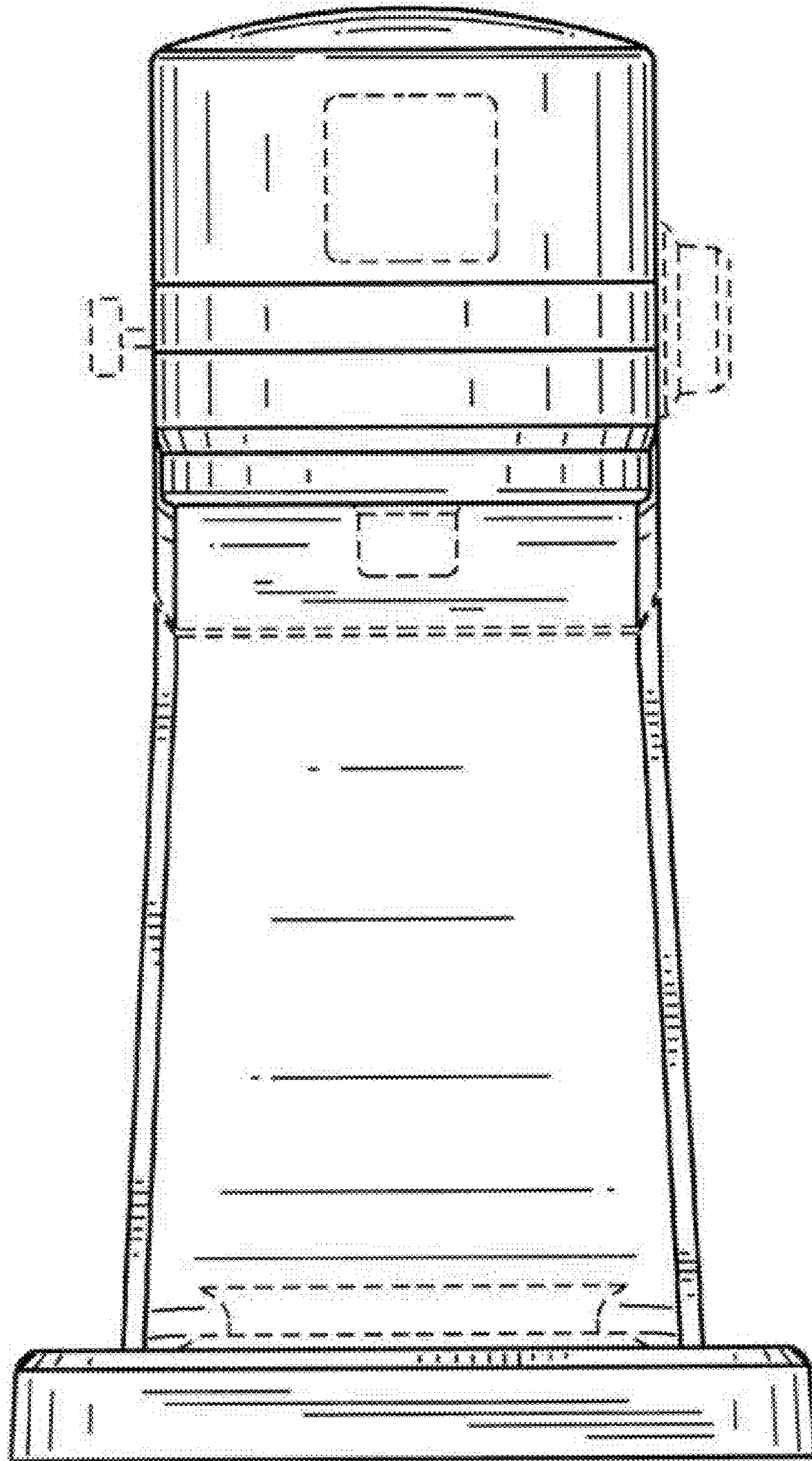


FIG. 4

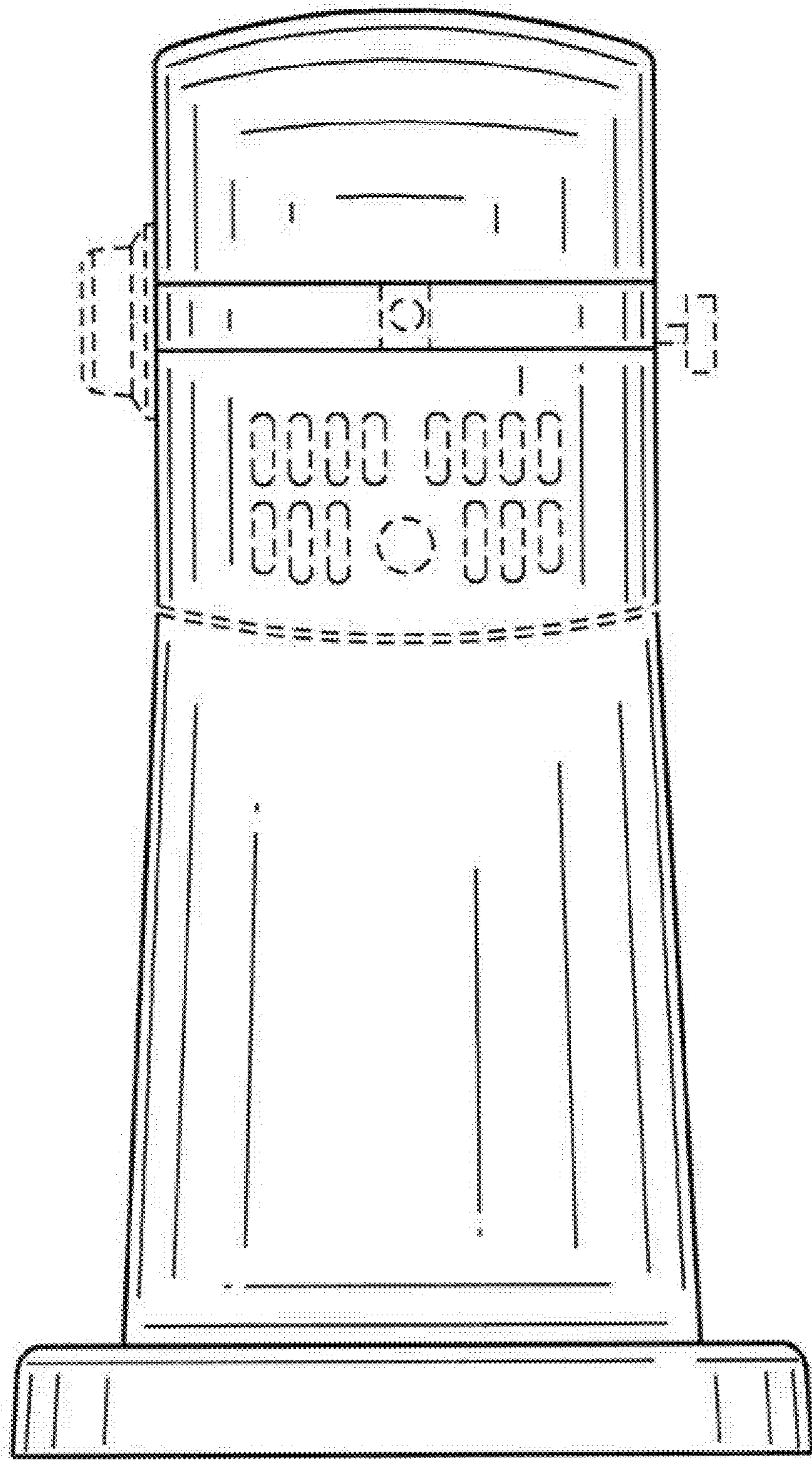


FIG. 5



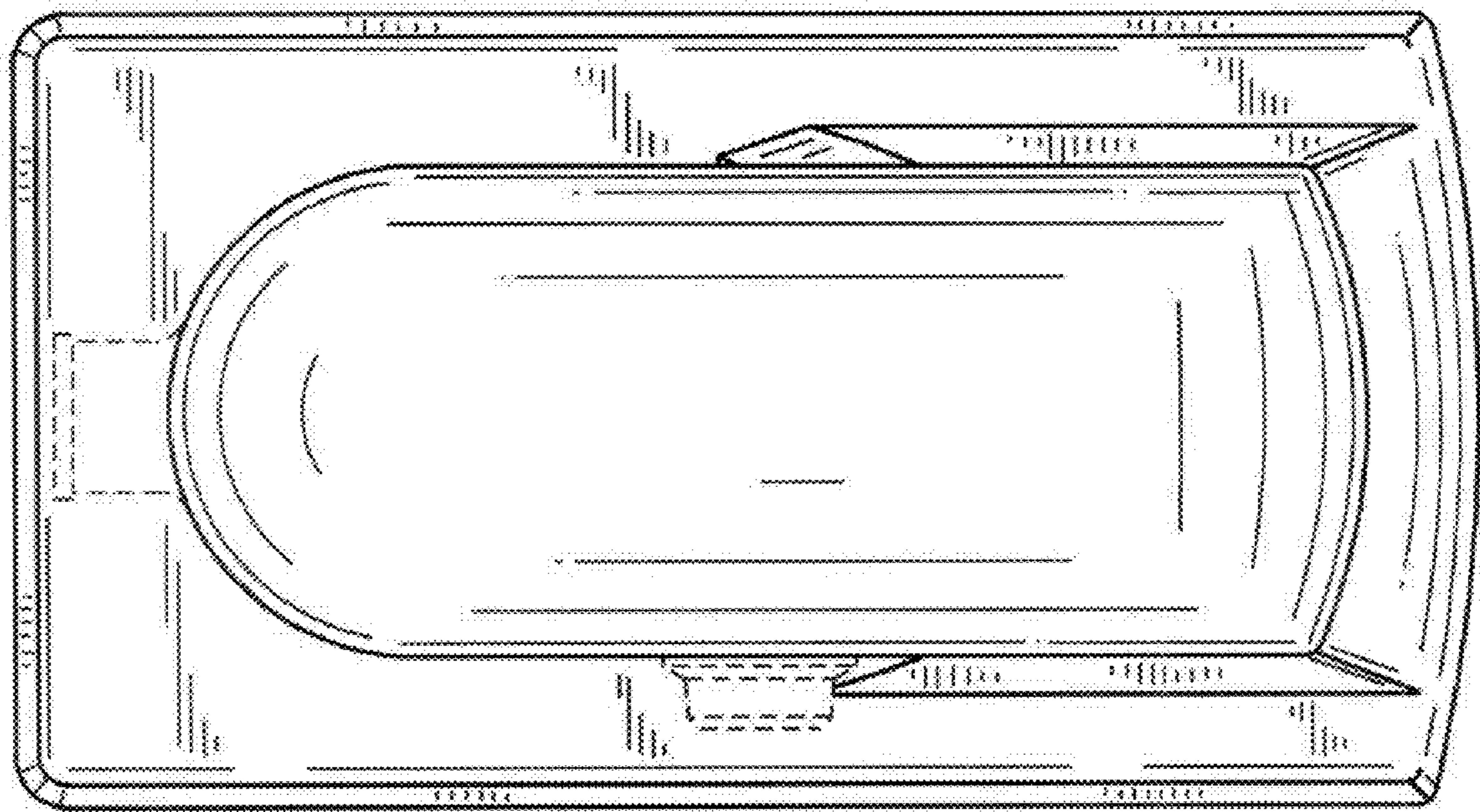


FIG. 6

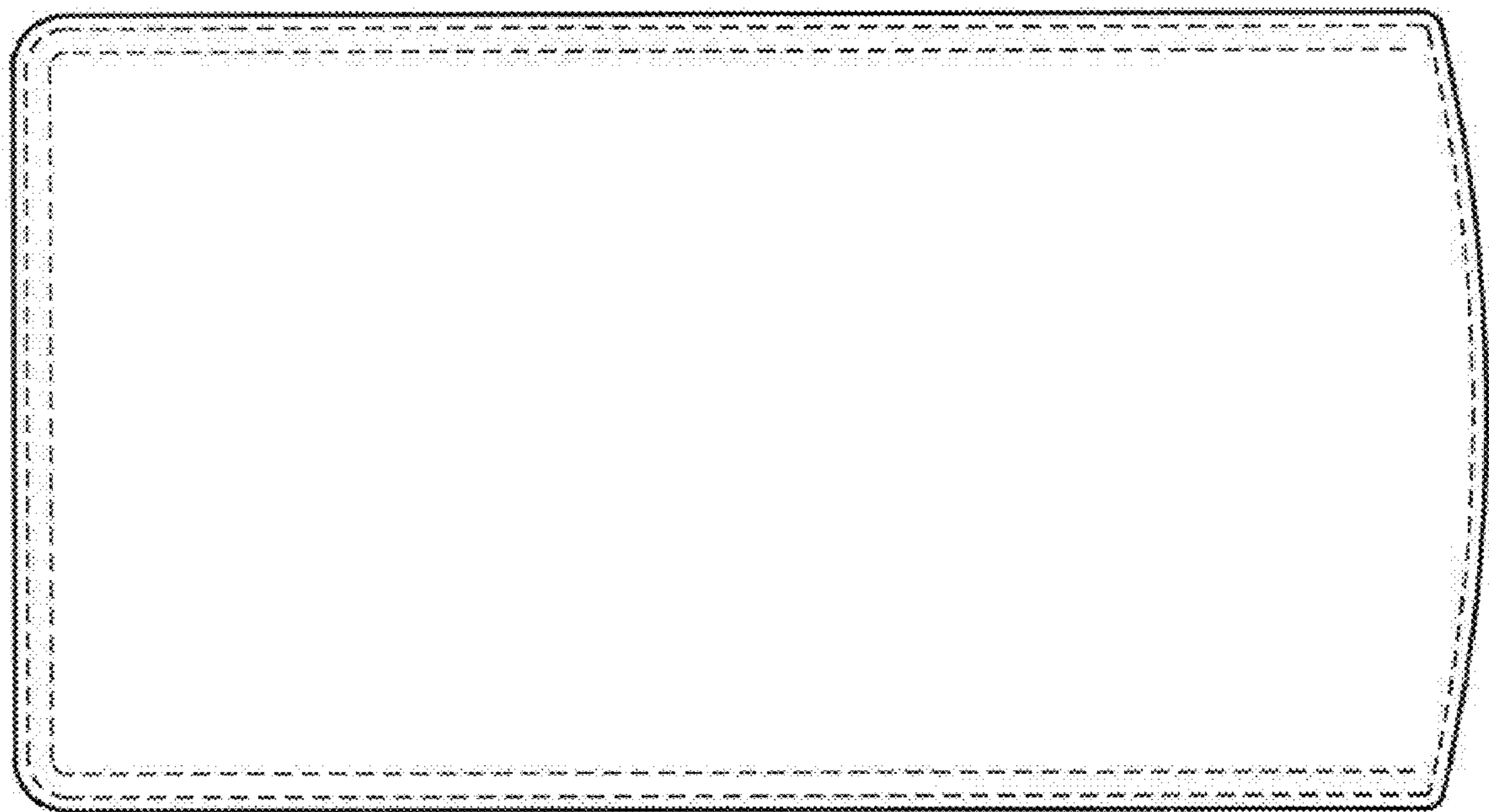


FIG. 7