



US00D612191S

(12) **United States Design Patent**
Taber et al.

(10) **Patent No.:** **US D612,191 S**
(45) **Date of Patent:** **** Mar. 23, 2010**

(54) **COOKING SYSTEM**

(75) Inventors: **Philip C. Taber**, Manchester, NH (US);
John D. Peretti, Manchester, NH (US);
Ashley E. Pierce, Hanover, MA (US);
Aleksandrs L. Israels, New York, NY
(US); **Robert L. Lescanec**, Boston, MA
(US); **W. Perry Dowst**, Weare, NH (US)

(73) Assignee: **Jetboil, Inc.**, Manchester, NH (US)

(**) Term: **14 Years**

(21) Appl. No.: **29/321,844**

(22) Filed: **Jul. 24, 2008**

(51) **LOC (9) Cl.** **07-02**

(52) **U.S. Cl.** **D7/337**

(58) **Field of Classification Search** D7/332,
D7/334–337, 402–405, 407; 126/25 R, 29–30,
126/25 A, 25 AA, 9 R, 38, 37 R, 41 R, 40,
126/39 E, 39 H, 50, 276, 268, 519, 506, 43–44;
99/481–482, 646 R

See application file for complete search history.

(56) **References Cited**

U.S. PATENT DOCUMENTS

D196,018 S * 8/1963 Palmer et al. D7/337
D244,985 S * 7/1977 Folke D7/337
D246,151 S * 10/1977 Chan D7/337
D355,809 S * 2/1995 Kothrade D7/337
D371,716 S * 7/1996 Jo D7/337

D416,750 S * 11/1999 Persson D7/337
5,992,408 A * 11/1999 Chen 126/43
D424,364 S * 5/2000 Persson D7/337
D444,991 S * 7/2001 Measom D7/337
D446,991 S * 8/2001 Taniguchi et al. D7/337
D447,664 S * 9/2001 Stephens et al. D7/337
D502,840 S * 3/2005 Schulte et al. D7/337
D512,264 S * 12/2005 May et al. D7/337

* cited by examiner

Primary Examiner—Ruth McInroy

(74) *Attorney, Agent, or Firm*—Marjama, Muldoon, Blasiak
& Sullivan, LLP

(57) **CLAIM**

We claim the ornamental design for a cooking system, as shown and described.

DESCRIPTION

FIG. 1 is a perspective view of the cooking system in accordance with the present invention.

FIG. 2 is a top view thereof.

FIG. 3 is a bottom view thereof.

FIG. 4 is a right side elevational view thereof.

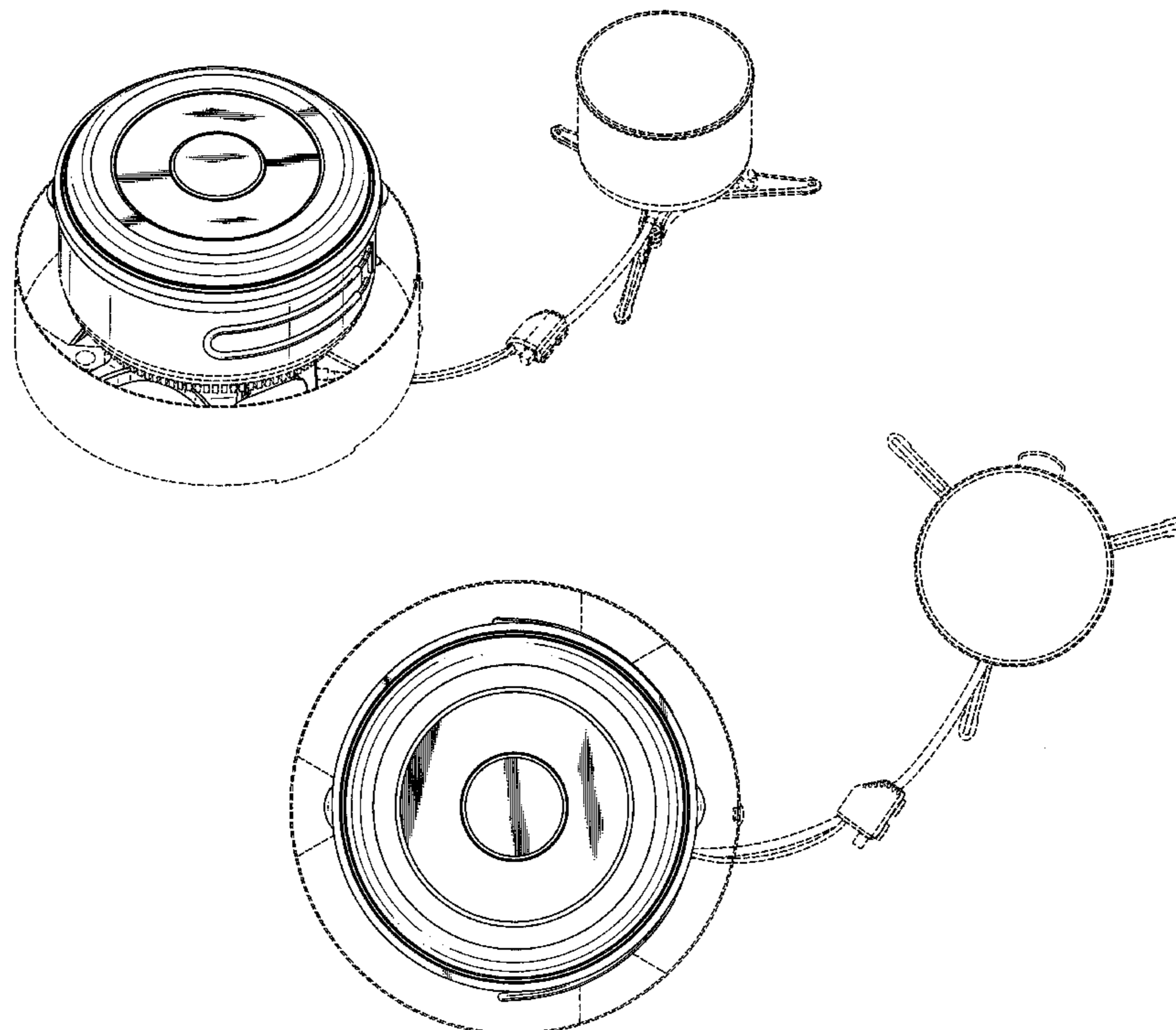
FIG. 5 is a left side elevational view thereof.

FIG. 6 is a front elevational view thereof; and,

FIG. 7 is a rear elevational view thereof.

The details shown in broken lines form no part of the claimed design.

1 Claim, 5 Drawing Sheets



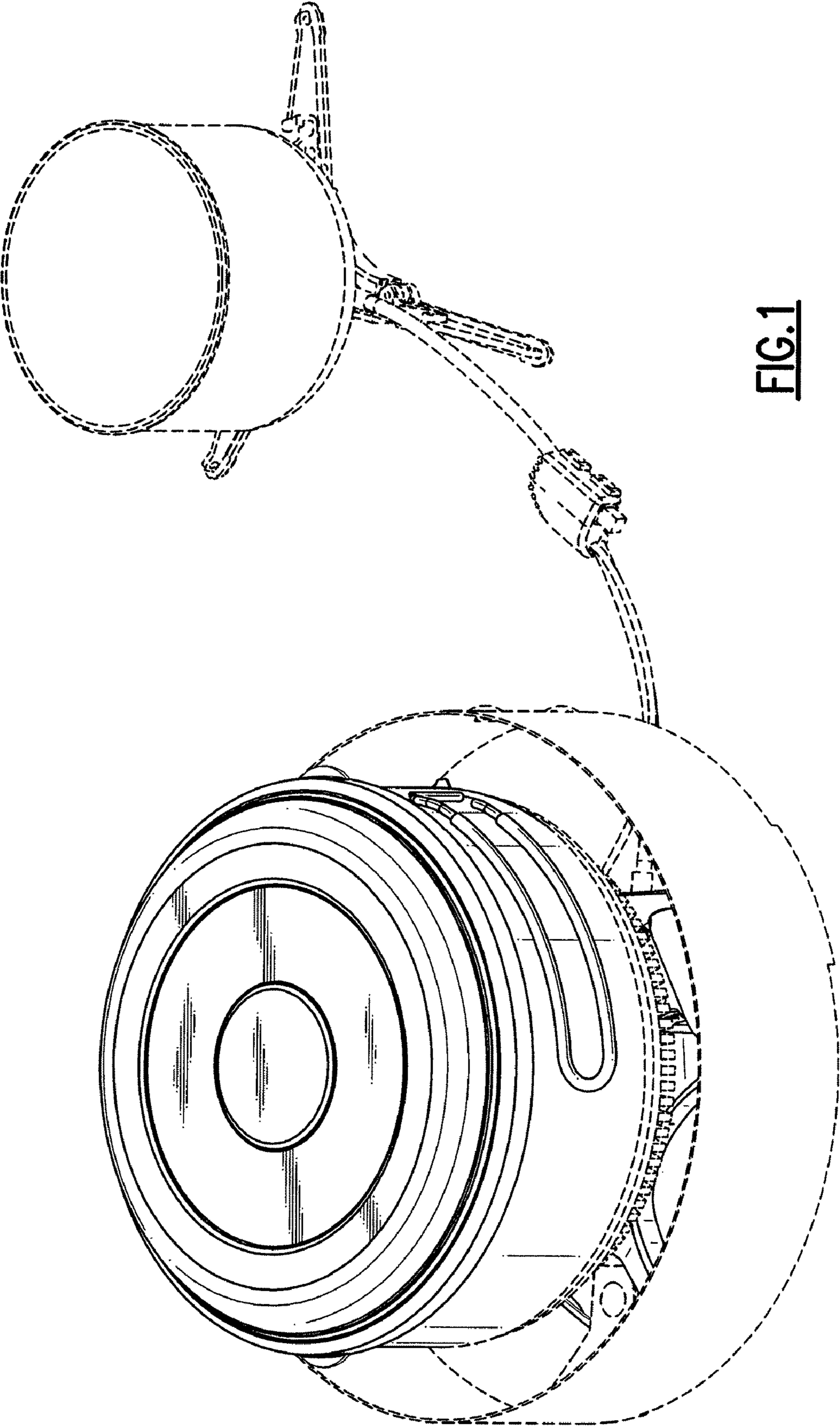


FIG. 1

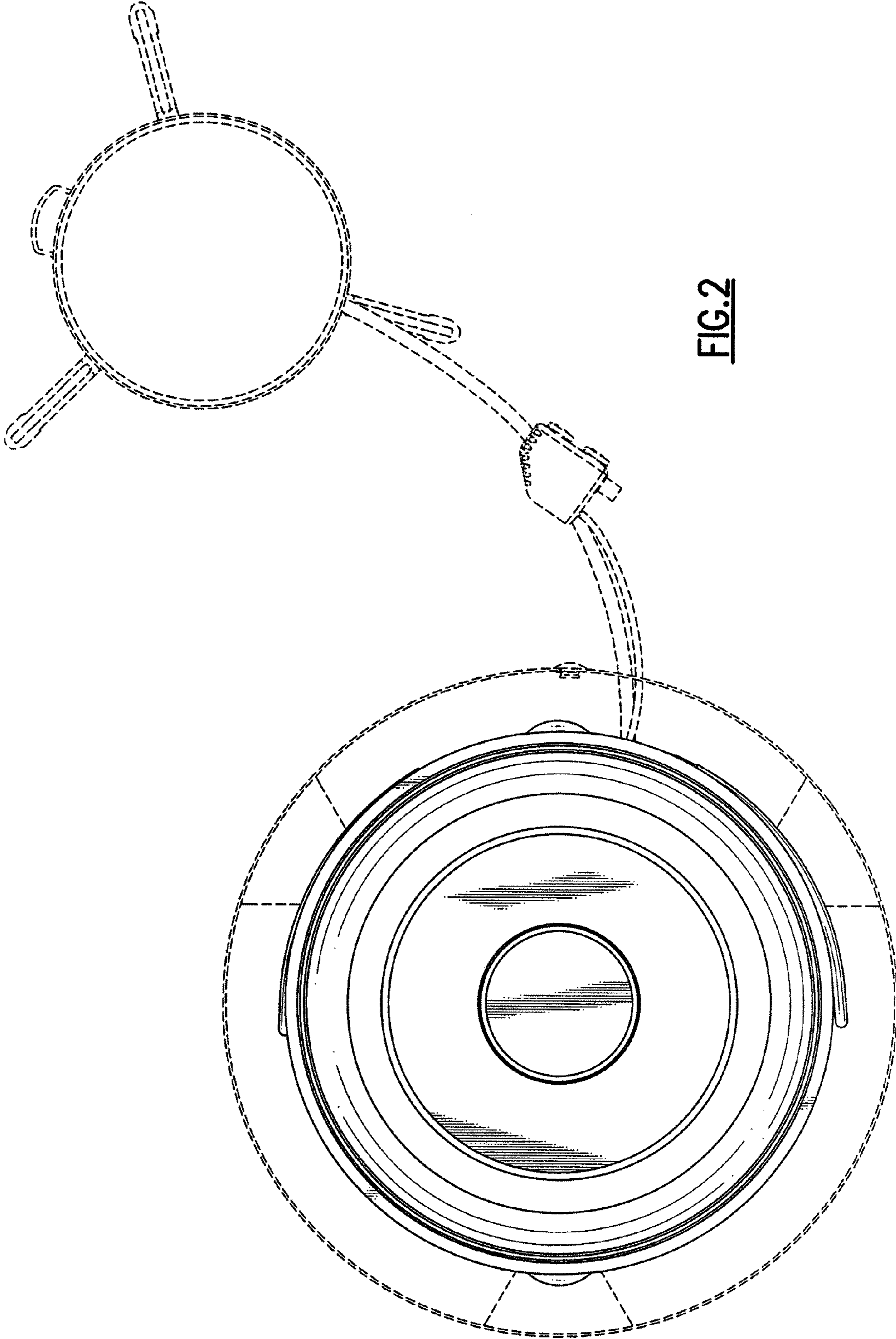


FIG. 2

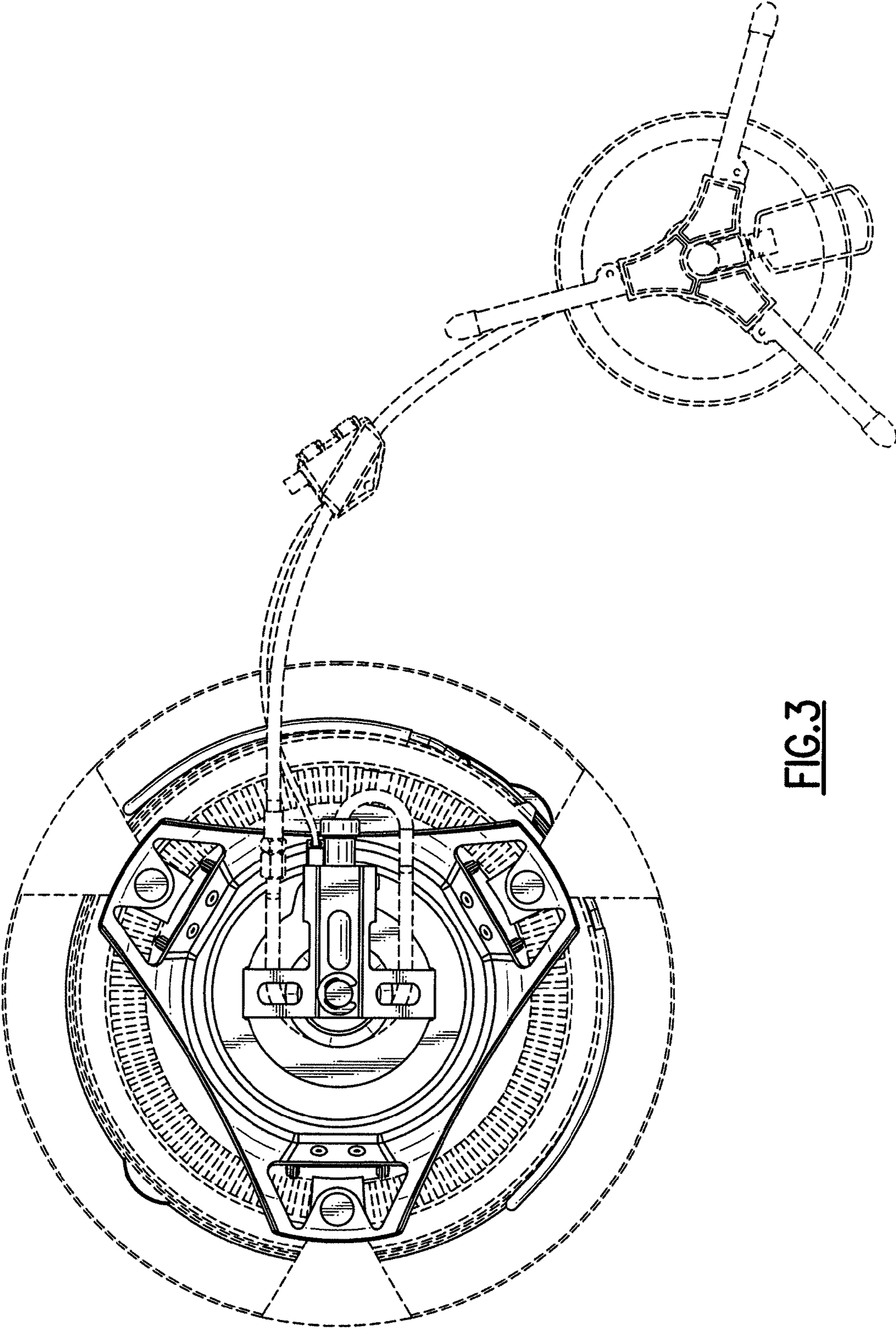
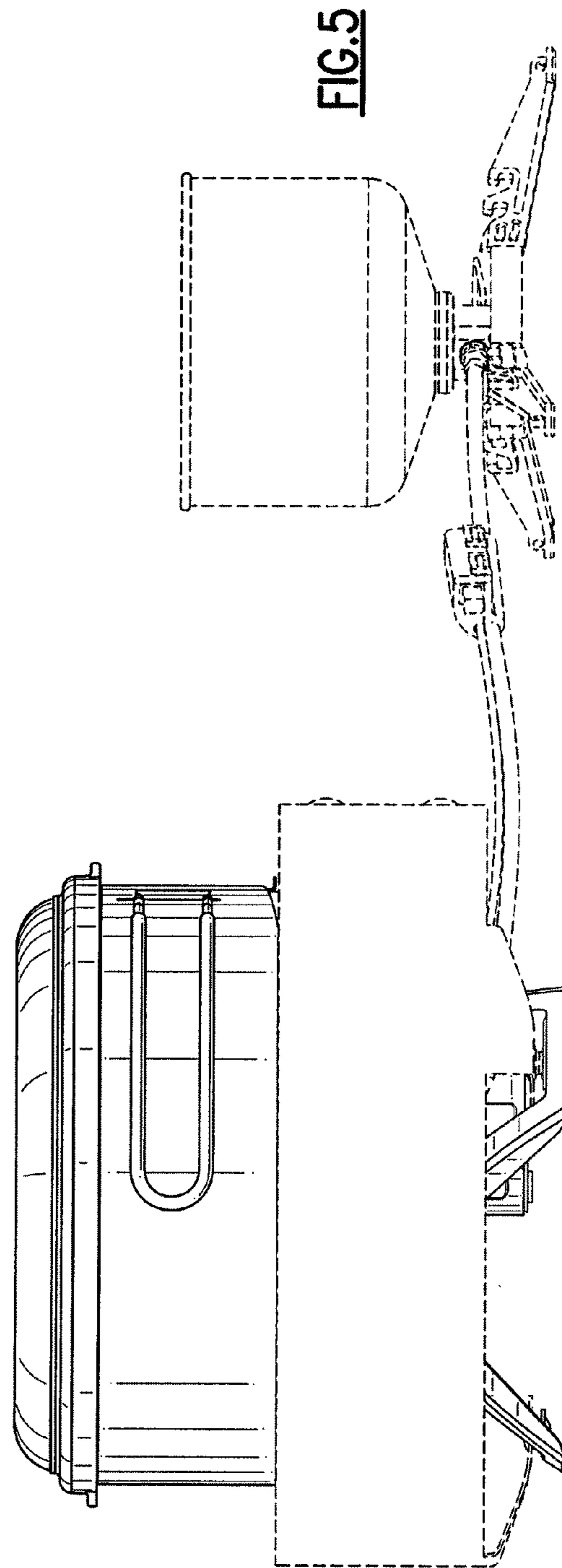
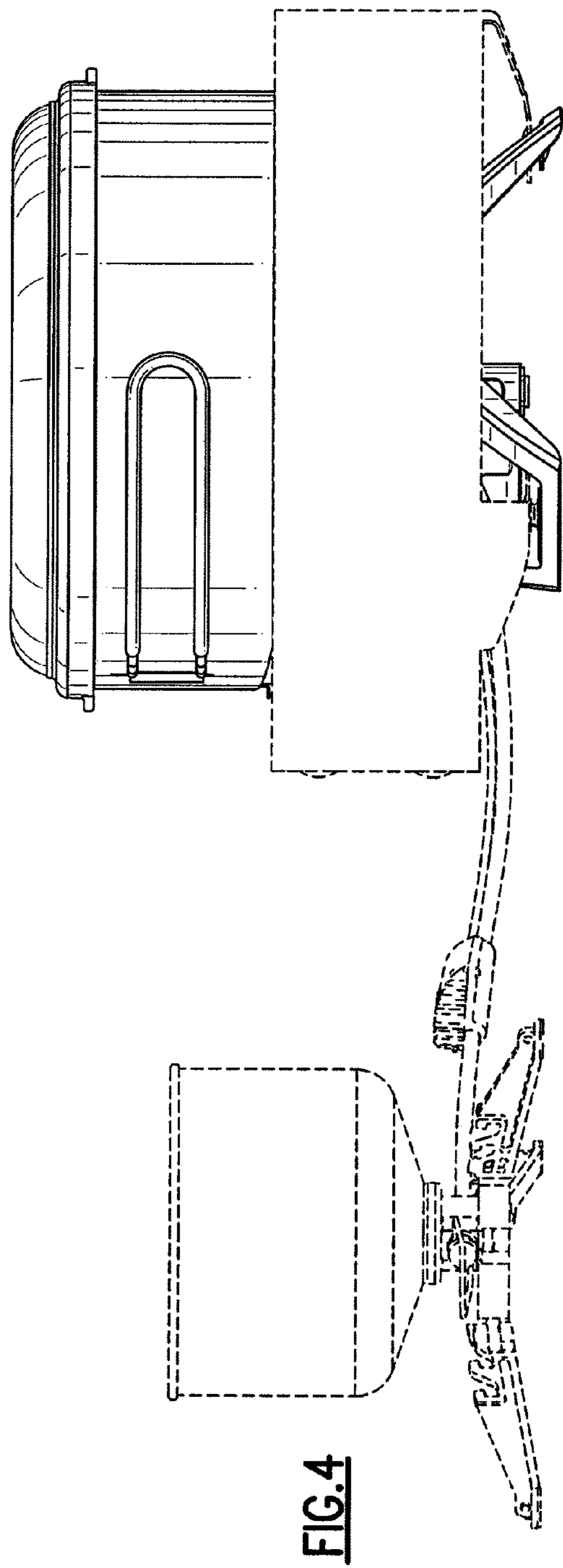


FIG. 3



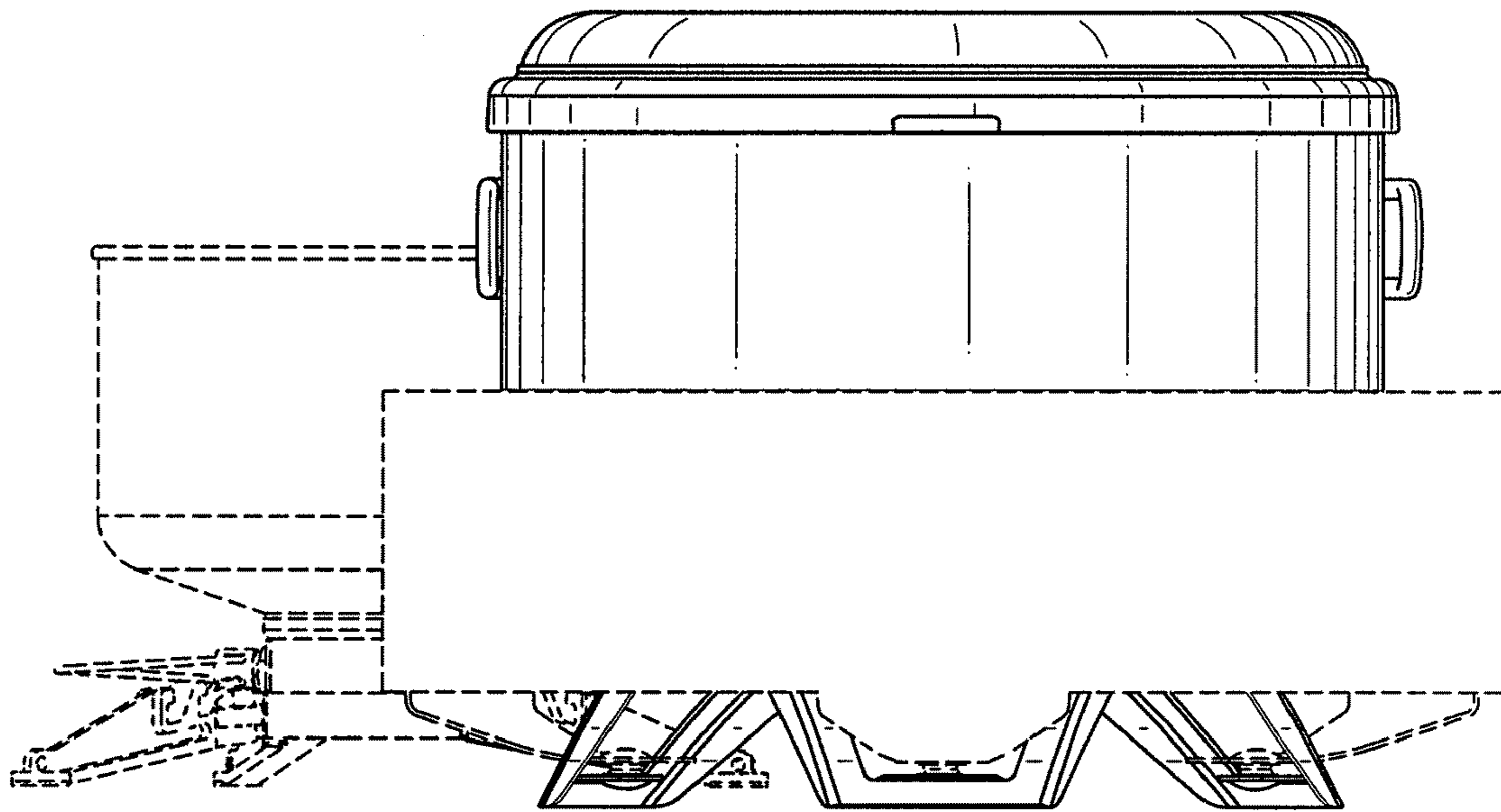


FIG. 6

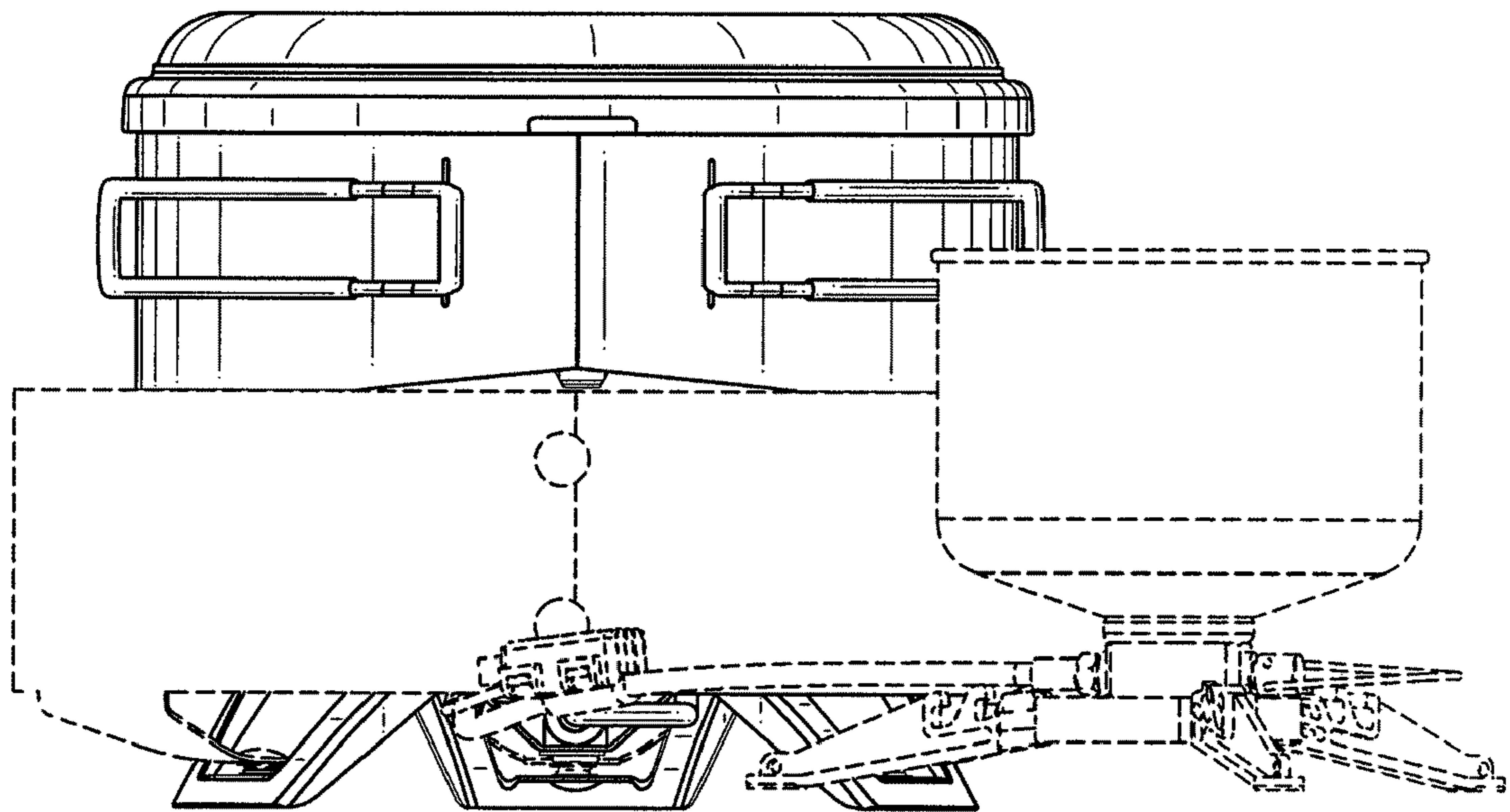


FIG. 7