



US00D612188S

(12) **United States Design Patent**
Yiannaki

(10) **Patent No.:** **US D612,188 S**

(45) **Date of Patent:** **** Mar. 23, 2010**

(54) **SIDE SUPPORT**

(75) Inventor: **Andrew Costas Yiannaki**, Raleigh, NC
(US)

(73) Assignee: **Nomaco Inc.**, Zebulon, NC (US)

(**) Term: **14 Years**

(21) Appl. No.: **29/342,503**

(22) Filed: **Aug. 26, 2009**

(51) **LOC (9) Cl.** **06-09**

(52) **U.S. Cl.** **D6/606**

(58) **Field of Classification Search** D6/582,
D6/583, 595–601, 604–606; 5/420, 630,
5/632, 636, 644, 652, 655.9, 662, 716, 717,
5/731, 740; D21/803, 809; D24/183; 128/846;
441/127, 128; 428/101

See application file for complete search history.

(56) **References Cited**

U.S. PATENT DOCUMENTS

| | | | | |
|---------------|---------|--------------|-------|---------|
| D105,428 S * | 7/1937 | Bahr | | D6/583 |
| D136,717 S * | 11/1943 | Moore et al. | | D6/583 |
| 3,293,671 A * | 12/1966 | Griffin | | 5/655.9 |
| 4,181,992 A * | 1/1980 | Blake | | 5/662 |
| 4,207,636 A * | 6/1980 | Ceriani | | 428/101 |
| 4,275,473 A * | 6/1981 | Poirier | | 441/128 |

(Continued)

OTHER PUBLICATIONS

“Mattress Innerspring/Innercore Having Side and Corner-Support Profiles,” Nomaco Inc., Jan. 2009, 1 page.

Primary Examiner—Janice E Seeger

Assistant Examiner—Mary Ann Calabrese

(74) *Attorney, Agent, or Firm*—Winthrow & Terranova, PLLC

(57) **CLAIM**

The ornamental design for side support design, as shown and described.

DESCRIPTION

FIG. 1 is a front perspective view of an exemplary design of a side support, which may be used as side support for bedding or cushioning applications;

FIG. 2 is a top view of the side support of FIG. 1;

FIG. 3 is a bottom view of the side support of FIG. 1;

FIG. 4 is a right side view of the side support of FIG. 1;

FIG. 5 is a left side view of the side support of FIG. 1;

FIG. 6 is a front view of the side support of FIG. 1;

FIG. 7 is a rear view of the side support of FIG. 1;

FIG. 8 is a front perspective view of another exemplary design of a side support, which may be used as side support for bedding or cushioning applications;

FIG. 9 is a top view of the side support of FIG. 8;

FIG. 10 is a bottom view of the side support of FIG. 8;

FIG. 11 is a right side view of the side support of FIG. 8;

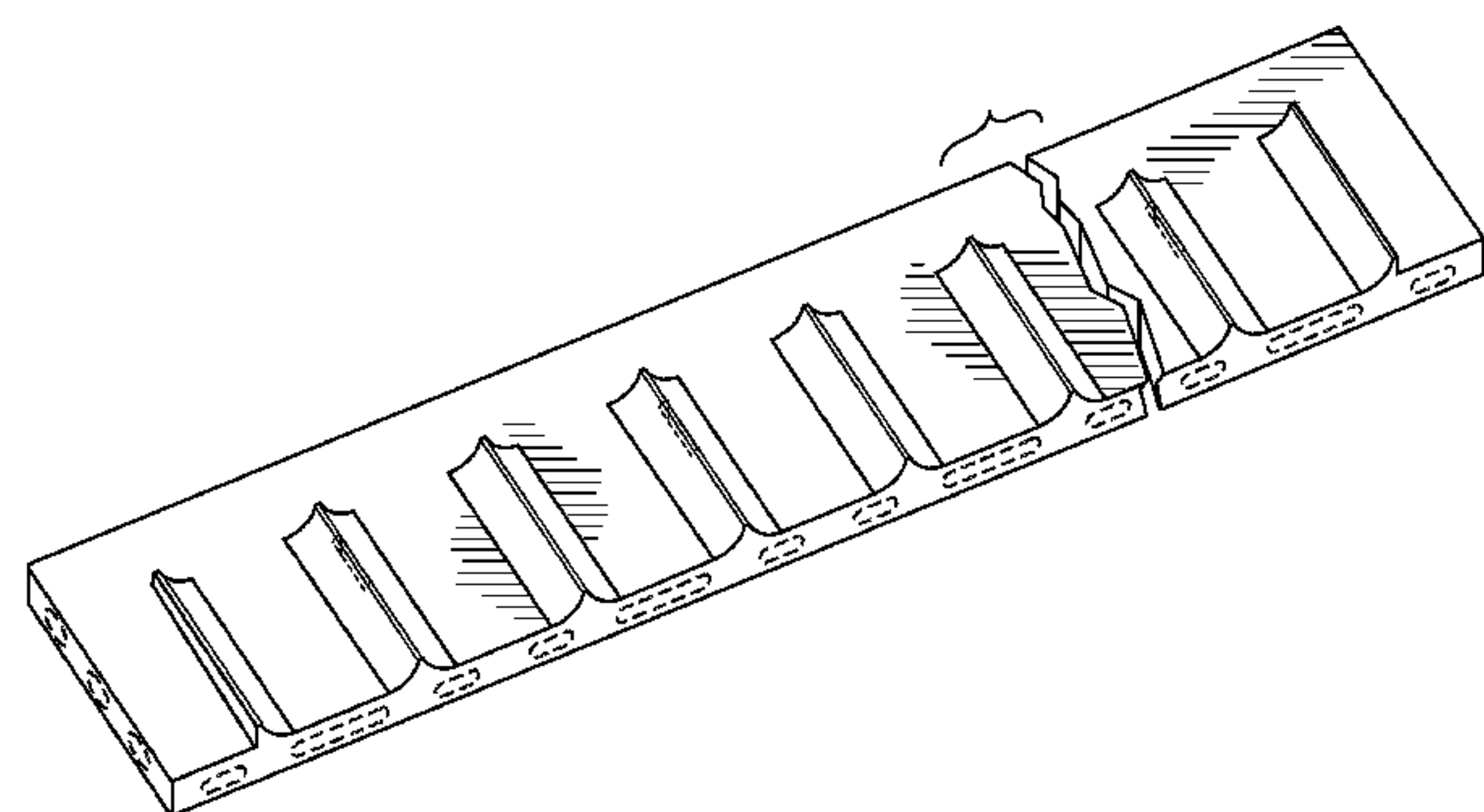
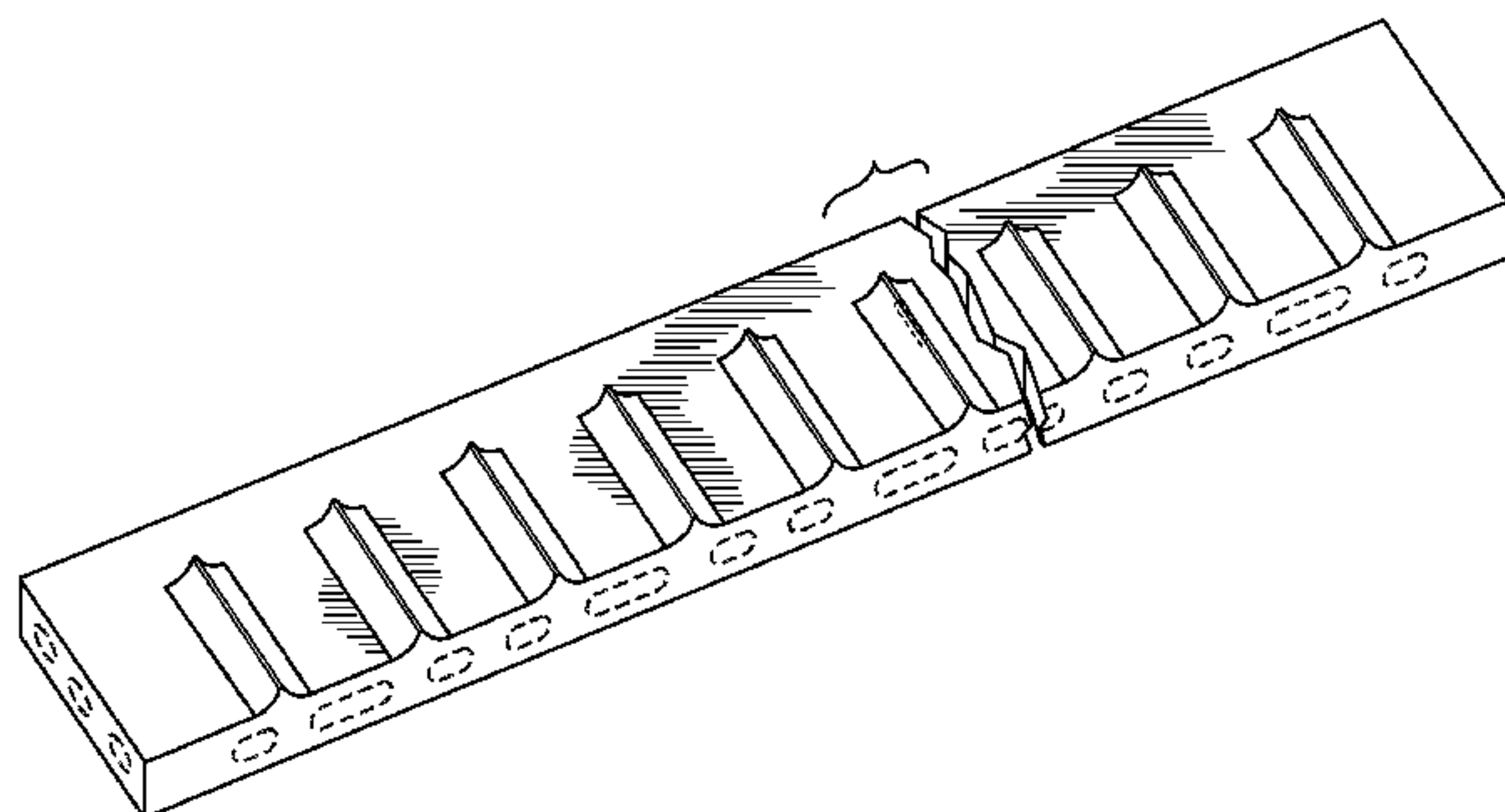
FIG. 12 is a left side view of the side support of FIG. 8;

FIG. 13 is a front view of the side support of FIG. 8; and,

FIG. 14 is a rear view of the side support of FIG. 8.

The broken lines in the drawings are for illustrative purposes only, and do not form part of the claimed design. The break lines in the drawings indicate no specific length and fins only, and do not form part of the claimed design.

1 Claim, 8 Drawing Sheets



US D612,188 S

Page 2

| U.S. PATENT DOCUMENTS | | | |
|-----------------------|------|---------|-------------------------|
| 4,915,662 | A * | 4/1990 | Kent 441/127 |
| D307,690 | S * | 5/1990 | Raburn D6/606 |
| D310,313 | S * | 9/1990 | Afeyan D6/604 |
| D433,861 | S * | 11/2000 | Rose et al. D6/596 |
| 6,263,533 | B1 | 7/2001 | Dimitry et al. |
| 6,488,031 | B1 * | 12/2002 | Sells, II 128/846 |
| 2009/0139033 | A1 * | 6/2009 | Gladney 5/716 |
| * cited by examiner | | | |

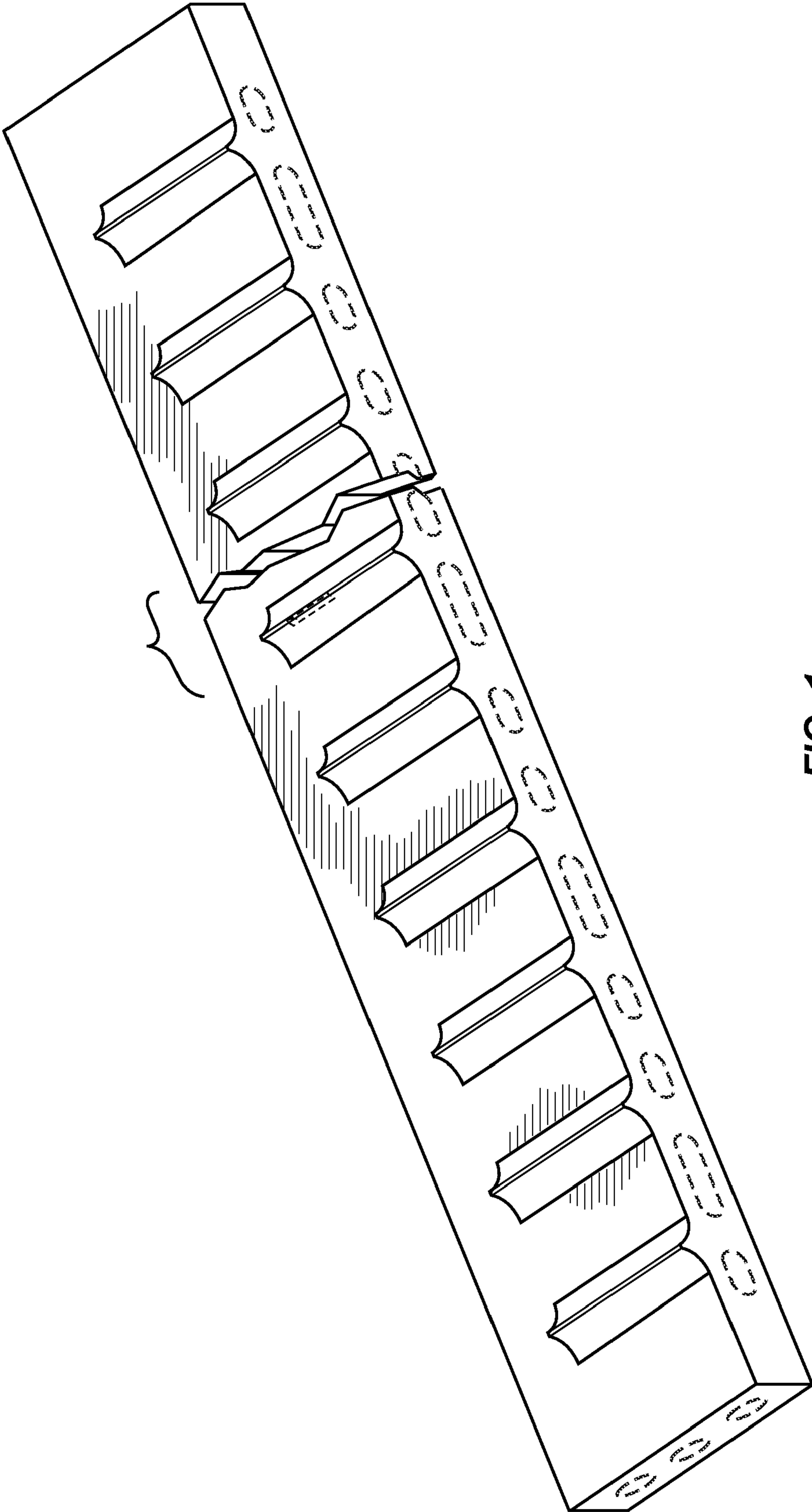


FIG. 1

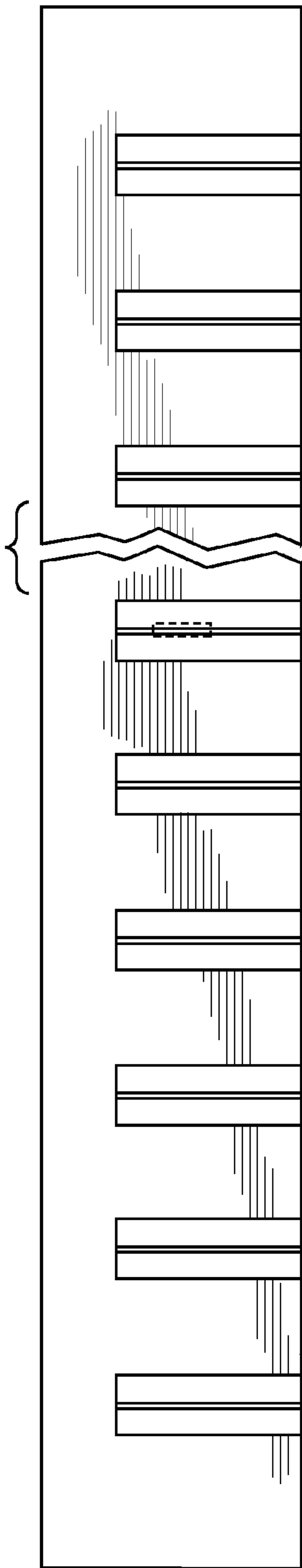


FIG. 2

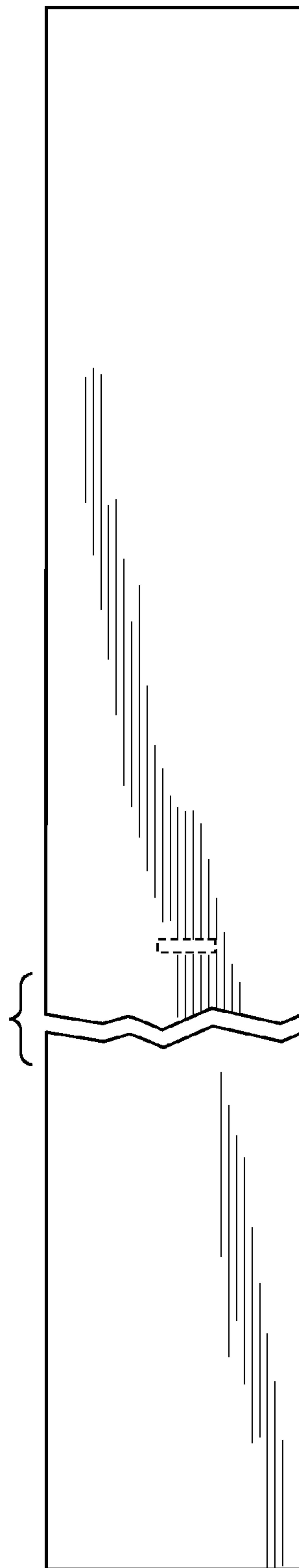


FIG. 3

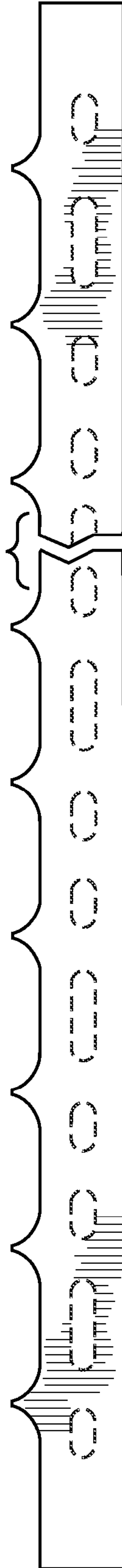


FIG. 4

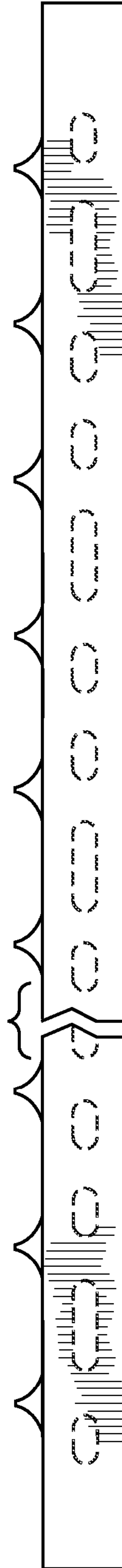


FIG. 5

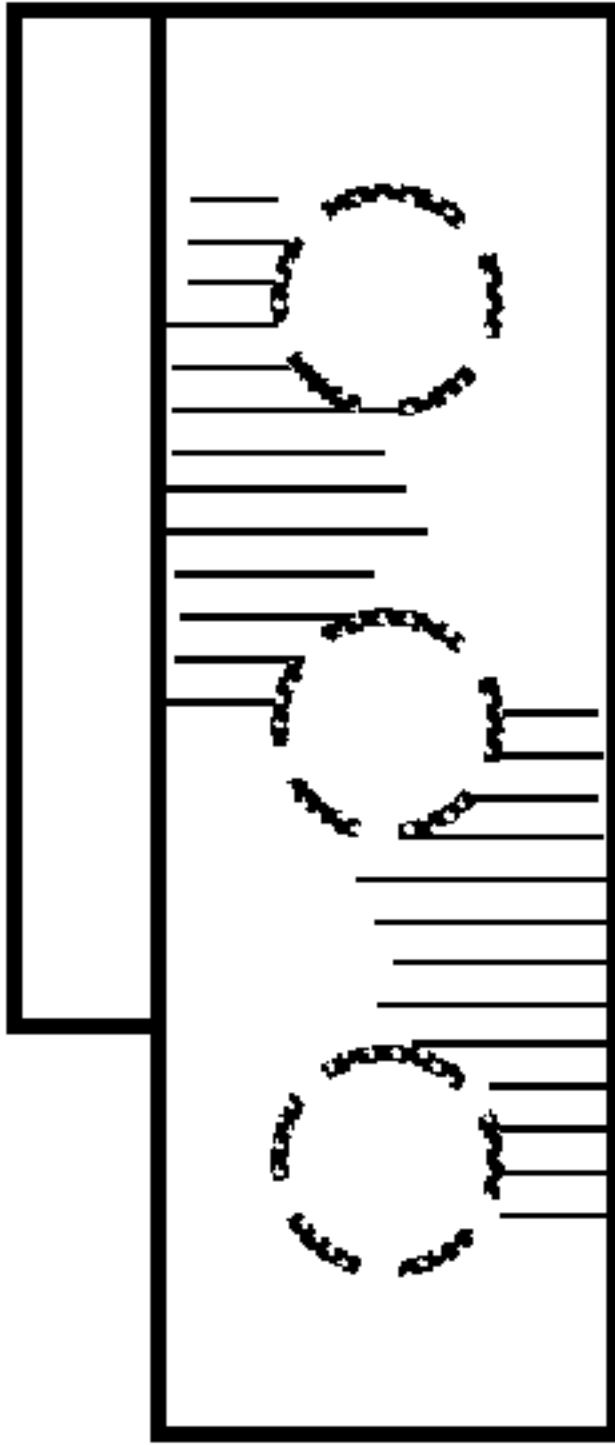


FIG. 6

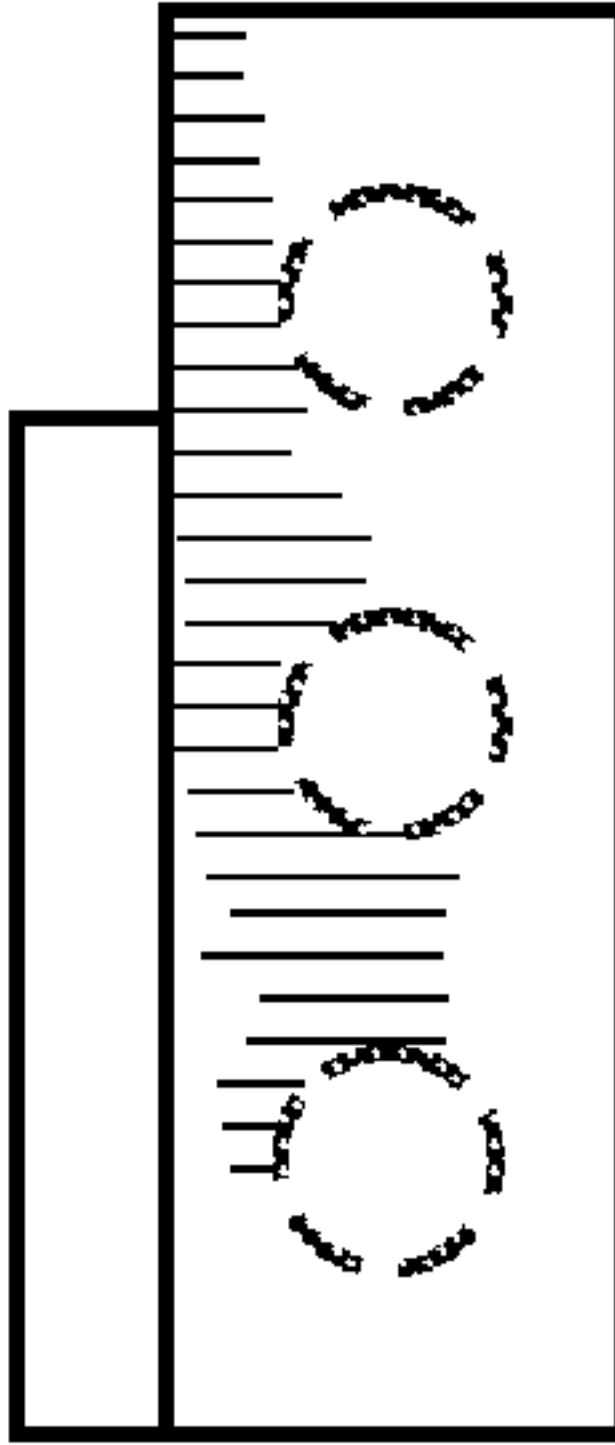


FIG. 7

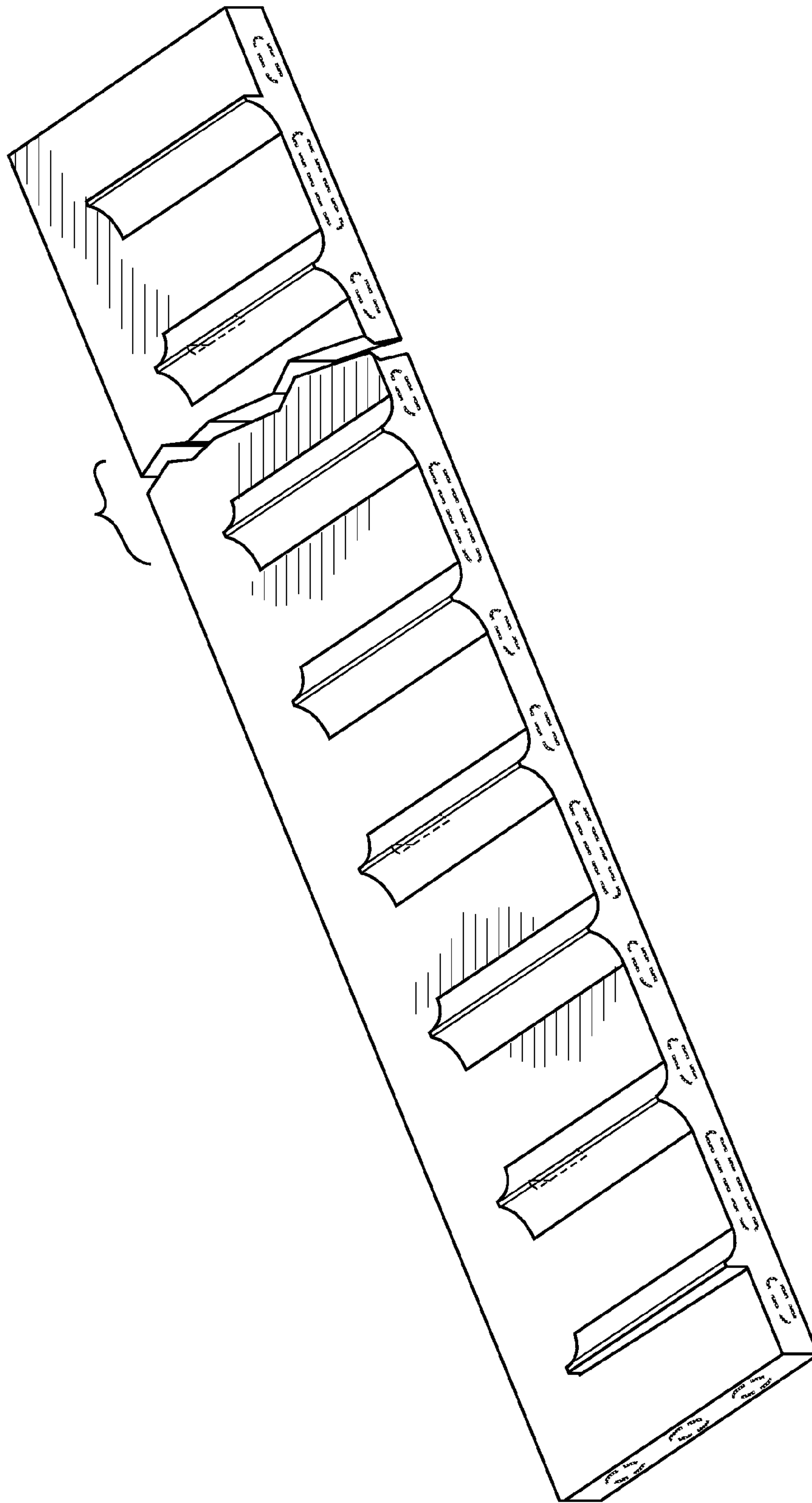


FIG. 8

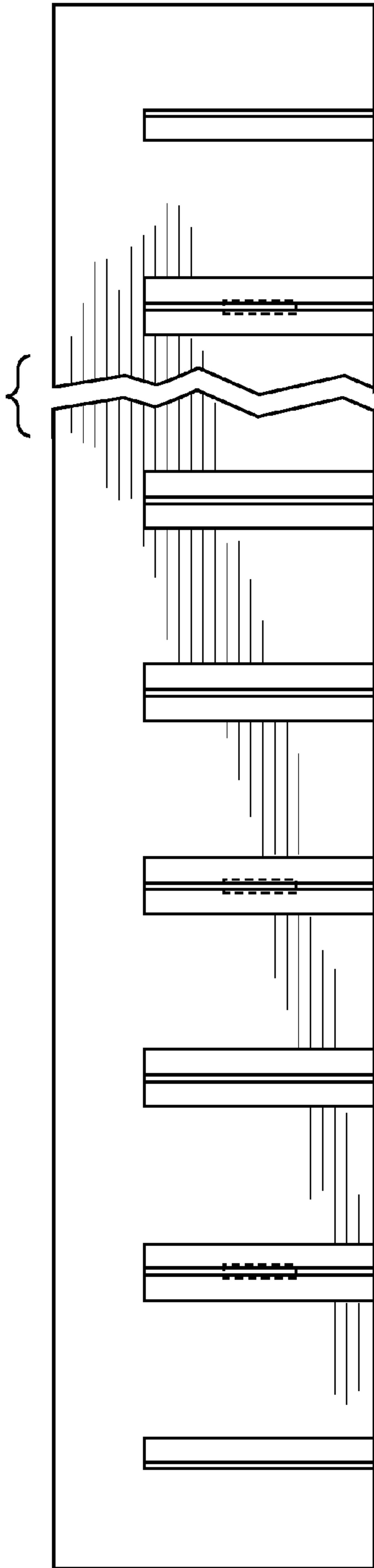


FIG. 9

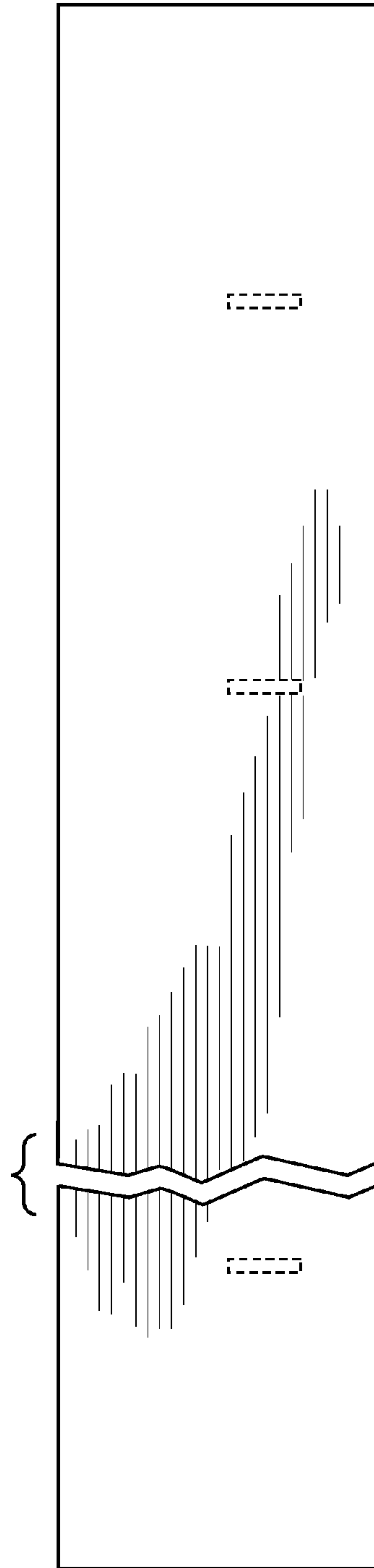


FIG. 10

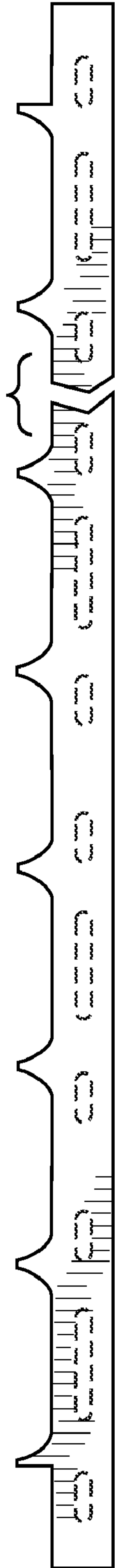


FIG. 11

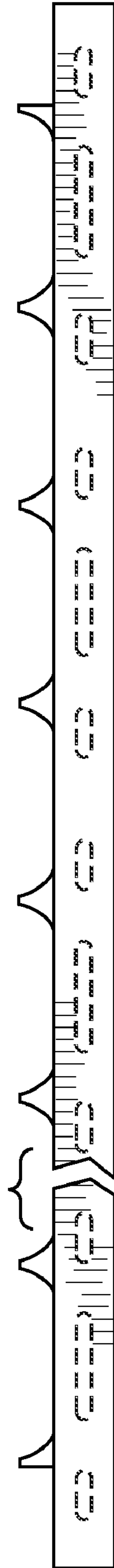


FIG. 12

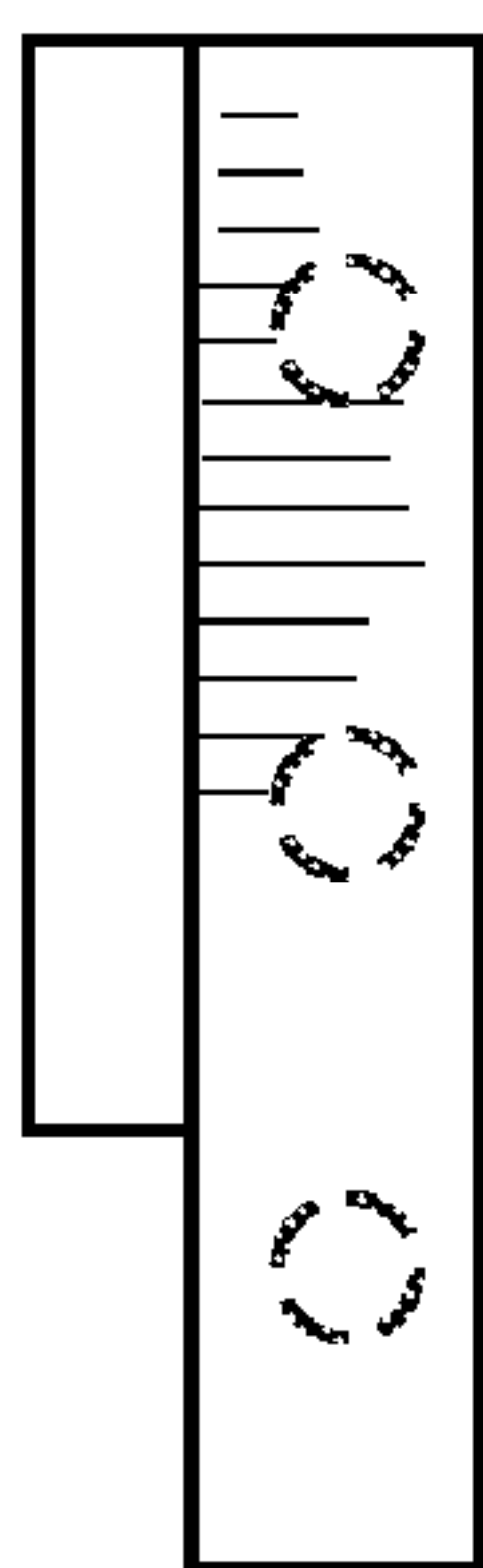


FIG. 13

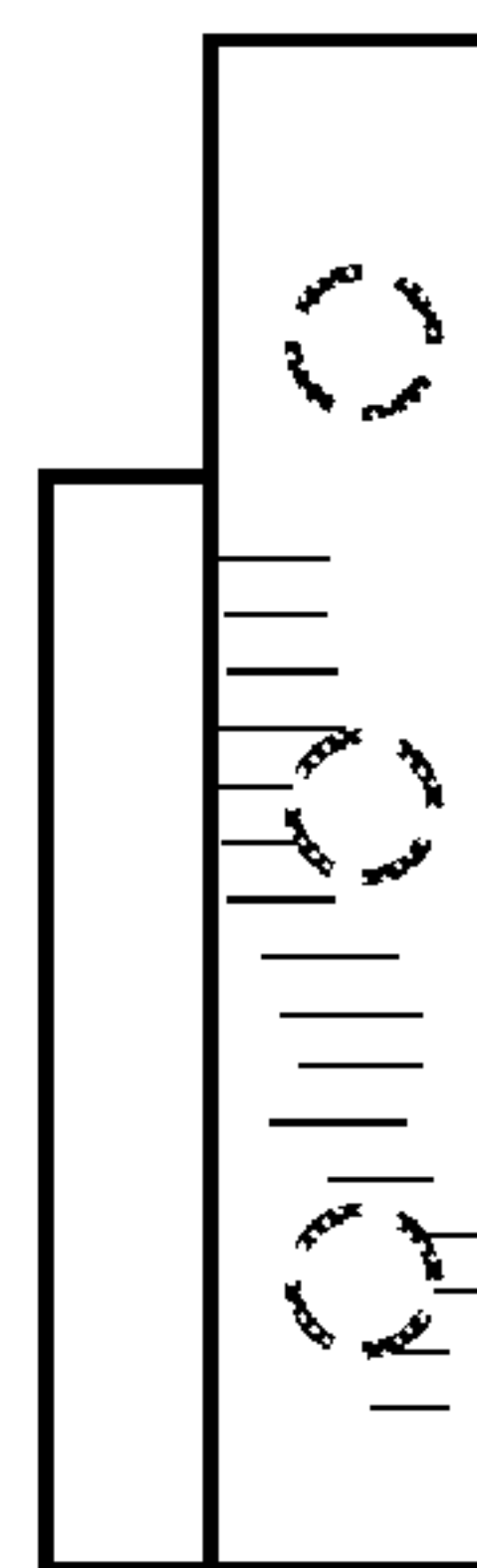


FIG. 14