



US00D612187S

(12) **United States Design Patent**  
**Visco**

(10) **Patent No.:** **US D612,187 S**  
(45) **Date of Patent:** **\*\* Mar. 23, 2010**

(54) **INFLATABLE PILLOW**

(76) Inventor: **John Visco**, 140 Hepburn Rd., Apt. 7E,  
Clifton, NJ (US) 07012

(\*\*) Term: **14 Years**

(21) Appl. No.: **29/338,359**

(22) Filed: **Jun. 10, 2009**

(51) **LOC (9) Cl.** ..... **06-09**

(52) **U.S. Cl.** ..... **D6/604**

(58) **Field of Classification Search** ..... D6/595-601,  
D6/604, 605; 5/490, 494, 603, 632, 633,  
5/636, 648, 652, 655.3, 655.9, 657; D21/803,  
D21/809; D24/183, 206, 215; 297/219.1,  
297/284.5; 441/127, 129, 130  
See application file for complete search history.

(56) **References Cited**

**U.S. PATENT DOCUMENTS**

627,663	A *	6/1899	Walden	.....	5/633
4,471,993	A *	9/1984	Watson	.....	297/284.5
5,070,557	A *	12/1991	Vincent et al.	.....	5/424
5,411,425	A *	5/1995	Rinker	.....	441/130
5,509,157	A *	4/1996	Story	.....	5/490
D428,295	S *	7/2000	Frye	.....	D6/601

D487,371	S *	3/2004	Ward et al.	.....	D6/601
D590,648	S *	4/2009	Rahimian	.....	D6/601
D593,787	S *	6/2009	Dafna	.....	D6/601

\* cited by examiner

*Primary Examiner*—Janice E Seeger  
*Assistant Examiner*—Mary Ann Calabrese  
(74) *Attorney, Agent, or Firm*—Thomas L. Adams

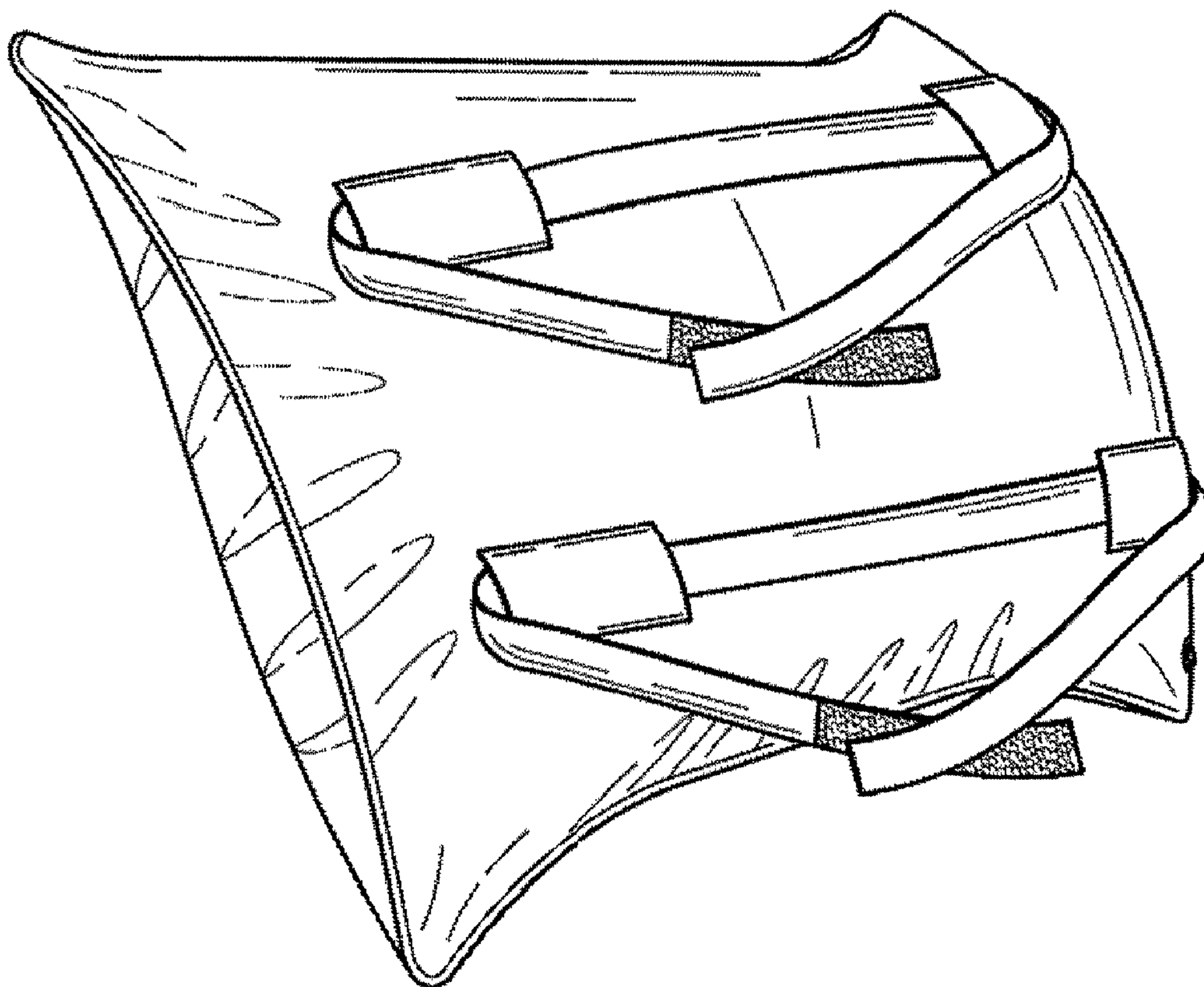
(57) **CLAIM**

The ornamental design for an inflatable pillow, as shown and described.

**DESCRIPTION**

FIG. 1 is a rear perspective view of an inflatable pillow showing my new design;  
FIG. 2 is a top plan view thereof;  
FIG. 3 is a bottom view thereof;  
FIG. 4 is a right side view thereof;  
FIG. 5 is a left side view thereof;  
FIG. 6 is a front view thereof; and,  
FIG. 7 is a rear elevational view thereof.

**1 Claim, 4 Drawing Sheets**



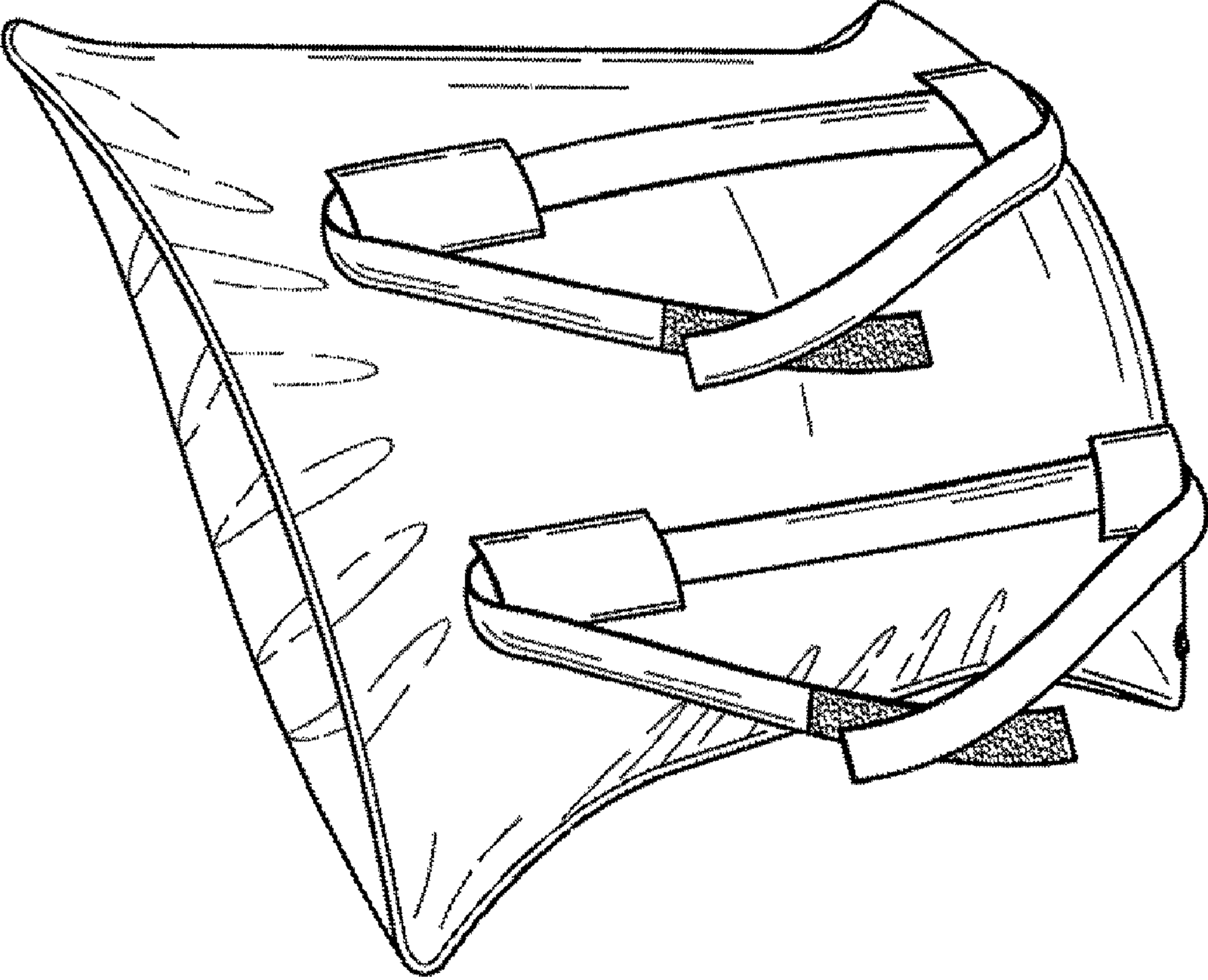


FIG. 1

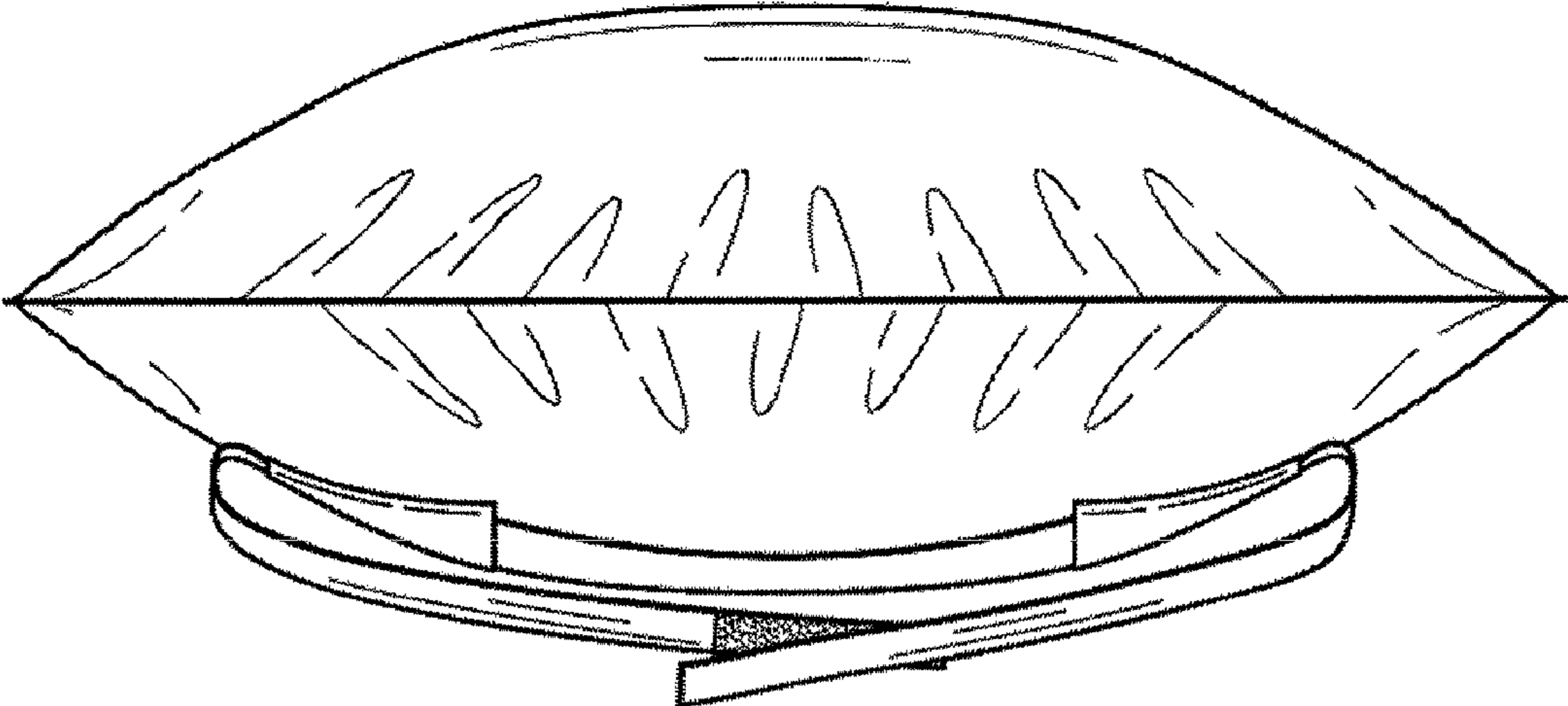


FIG. 2

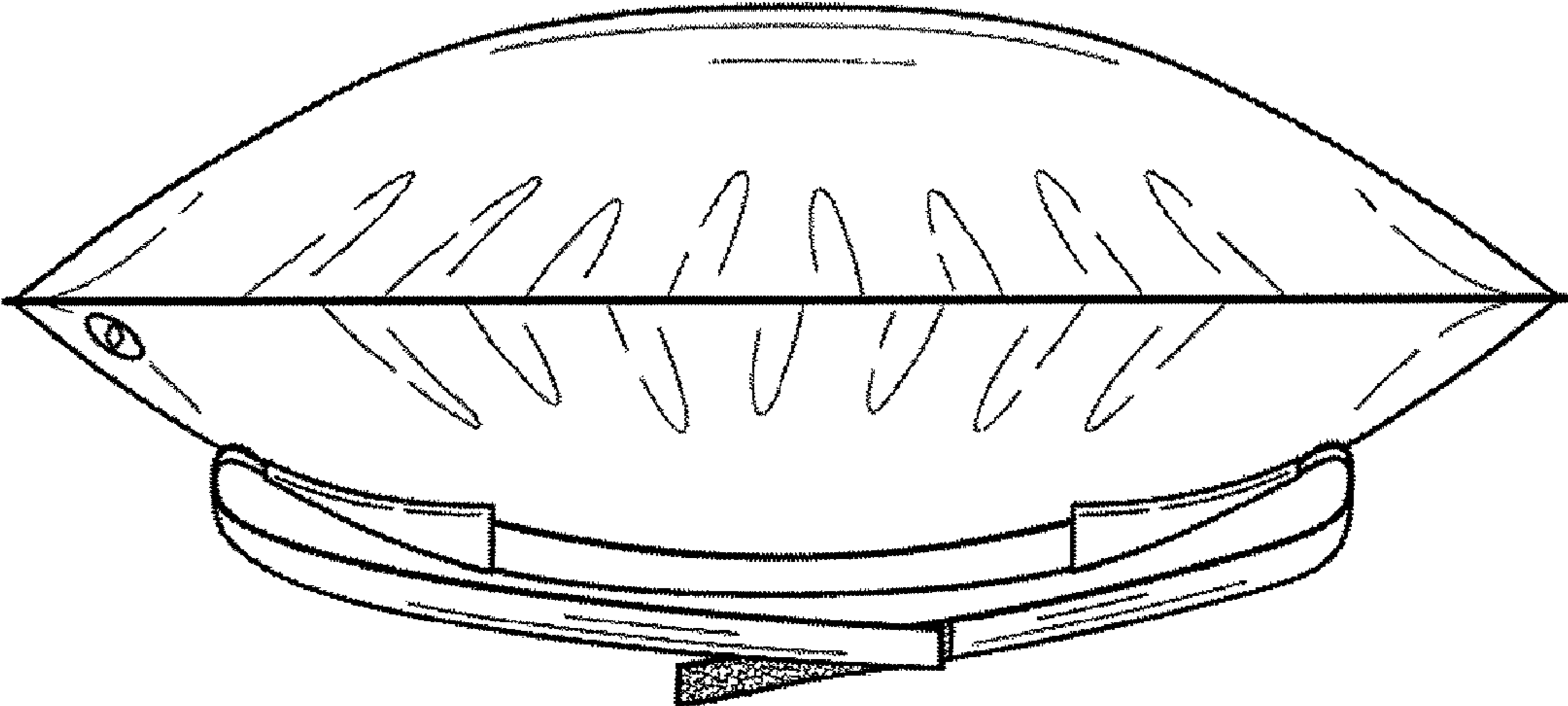


FIG. 3

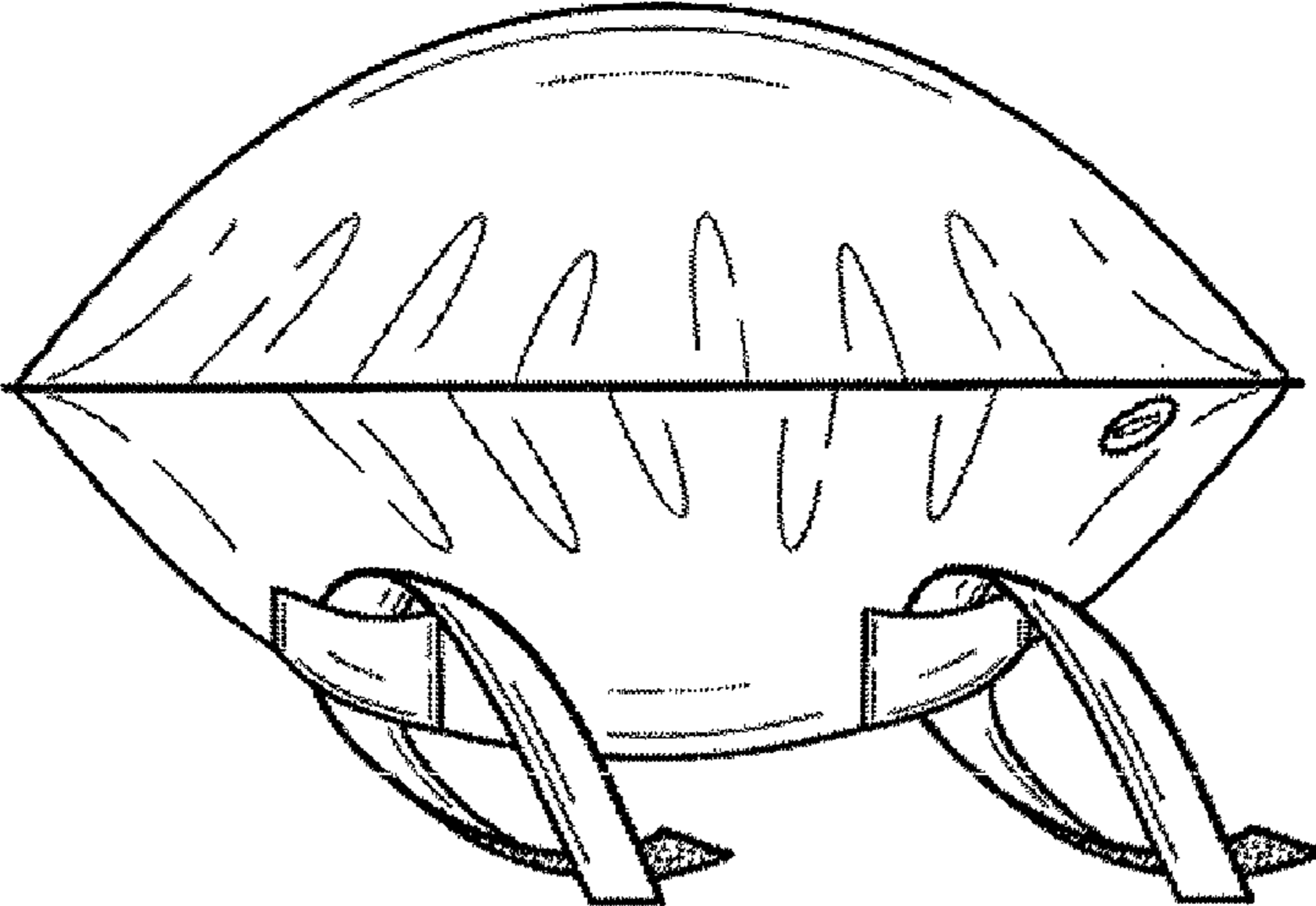


FIG. 4

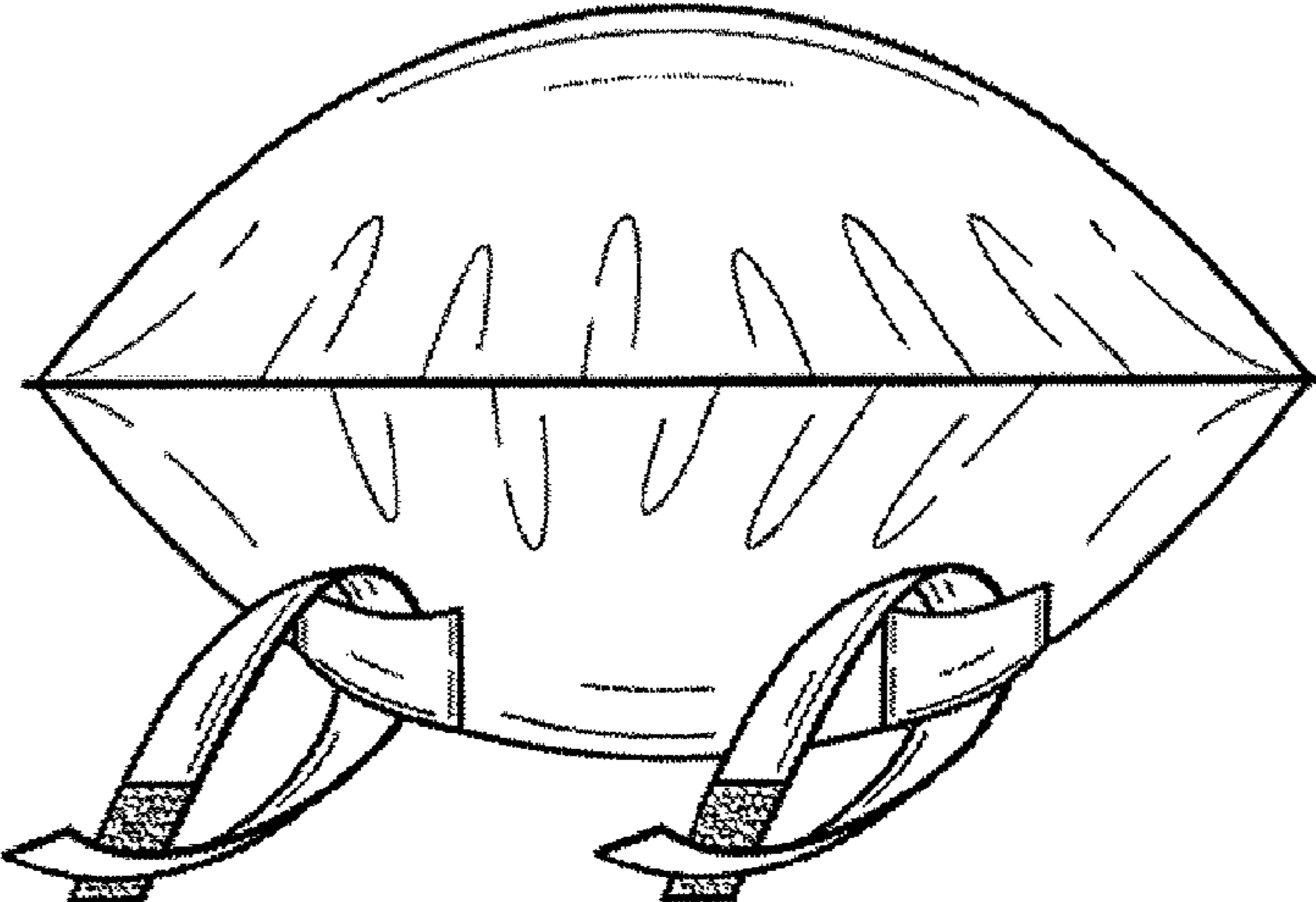


FIG. 5

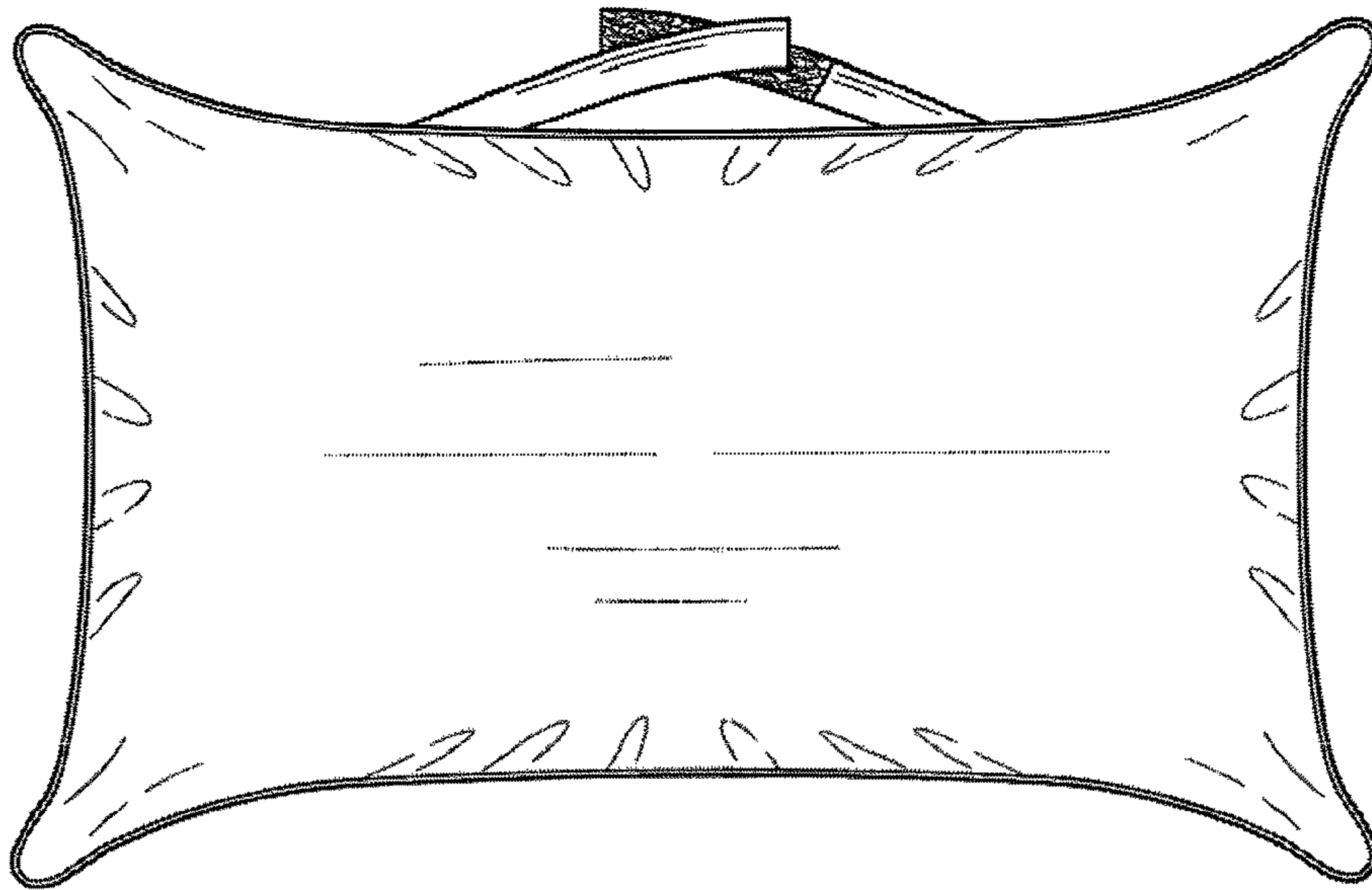


FIG. 6

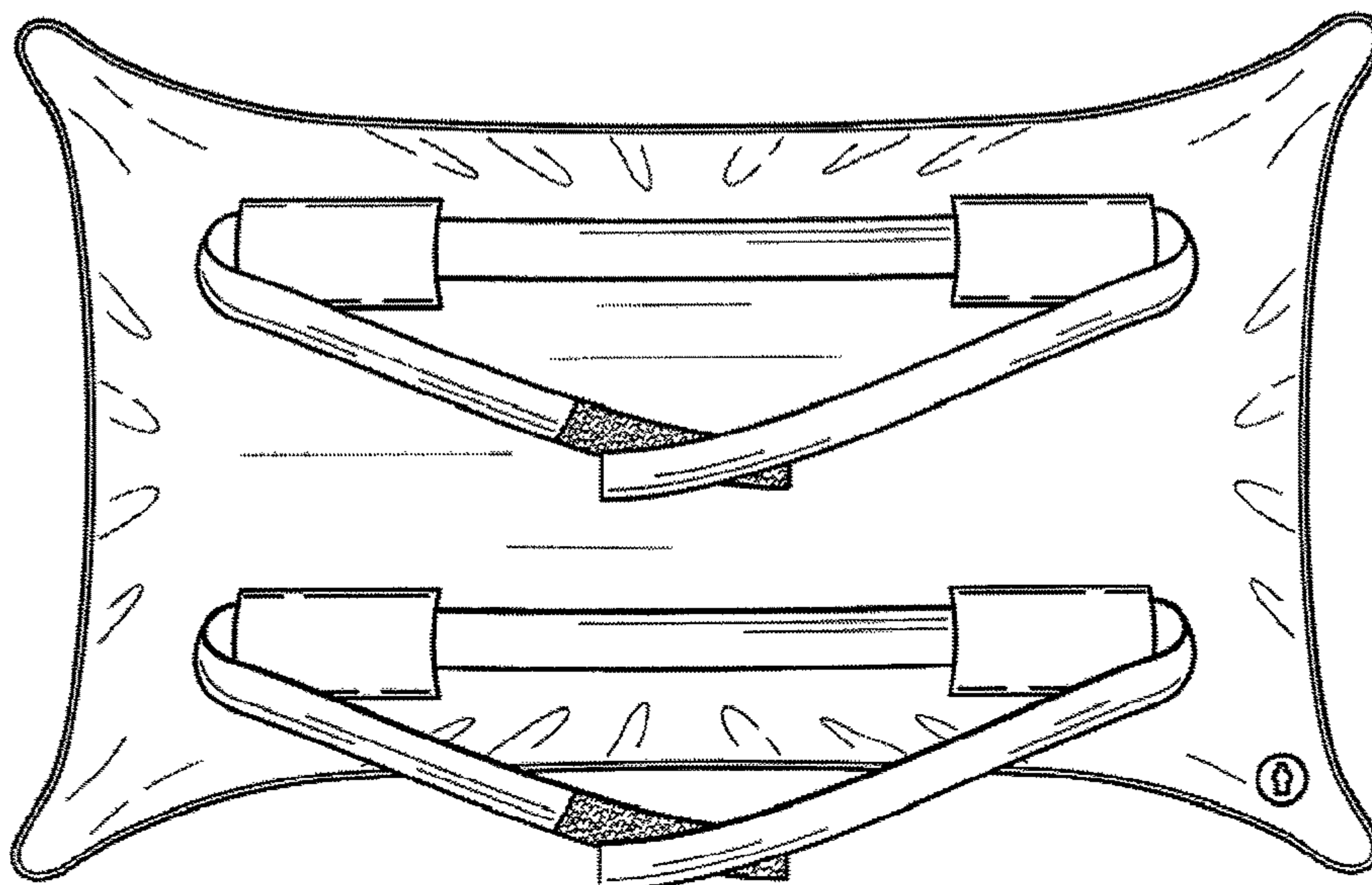


FIG. 7