



US00D612186S

(12) **United States Design Patent**  
**Anderson**

(10) **Patent No.:** **US D612,186 S**  
(45) **Date of Patent:** **\*\* Mar. 23, 2010**

(54) **ARM PAD ACCESSORY**

(75) Inventor: **Carie Anderson**, Kaneohe, HI (US)

(73) Assignee: **Inurse Instyler, LLC**, Kaneohe, HI (US)

(\*\*) Term: **14 Years**

(21) Appl. No.: **29/345,517**

(22) Filed: **Oct. 16, 2009**

(51) **LOC (9) Cl.** ..... **06-09**

(52) **U.S. Cl.** ..... **D6/601**

(58) **Field of Classification Search** ..... D6/595-601,  
D6/604; 5/630, 632, 636, 644, 646, 647,  
5/650, 655.9, 656; D2/610; D21/803; D24/183;  
2/16; 248/118.5

See application file for complete search history.

(56) **References Cited**

**U.S. PATENT DOCUMENTS**

4,393,520	A *	7/1983	Koch	.....	2/16
5,335,888	A *	8/1994	Thomsen	.....	248/118.5
D476,517	S *	7/2003	Davis	.....	D6/601
D477,173	S *	7/2003	Nagy-Marczyk	.....	D6/601
D578,818	S *	10/2008	Margalit	.....	D6/601
D579,256	S *	10/2008	Alfieri et al.	.....	D6/601
2008/0141462	A1 *	6/2008	Woods	.....	5/655

\* cited by examiner

*Primary Examiner*—Janice E Seeger  
*Assistant Examiner*—Mary Ann Calabrese

(74) *Attorney, Agent, or Firm*—Goodman, Allen & Filetti, PLLC; Thedford I. Hitaffer

(57) **CLAIM**

The ornamental design for an arm pad accessory, as shown and described.

**DESCRIPTION**

FIG. 1 is a front perspective view of an arm pad accessory for use when feeding an infant embodying my design.

FIG. 2 is a left side elevational view thereof.

FIG. 3 is a right side elevational view thereof.

FIG. 4 is a top plan view thereof.

FIG. 5 is a bottom plan view thereof.

FIG. 6 is a front elevational view thereof.

FIG. 7 is a rear elevational view thereof.

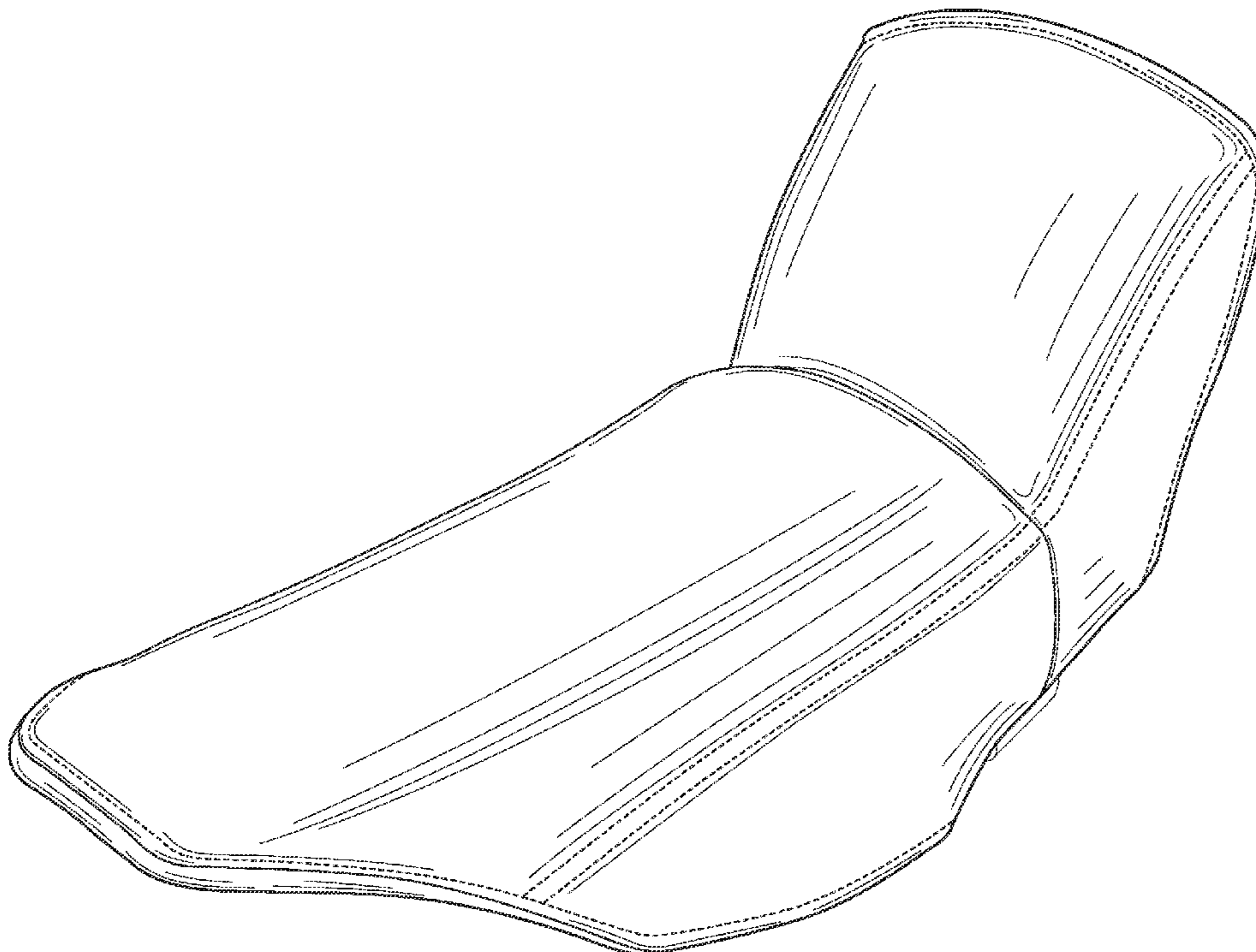
FIG. 8 is a perspective view thereof, showing the arm pad accessory in use.

FIG. 9 is a top perspective view thereof, showing the arm pad accessory unfolded; and,

FIG. 10 is a bottom perspective view of the arm pad accessory shown in FIG. 9.

The broken lines showing an infant and arm in FIG. 8 forms no part of the claimed design. All other broken lines represent stitching.

**1 Claim, 7 Drawing Sheets**



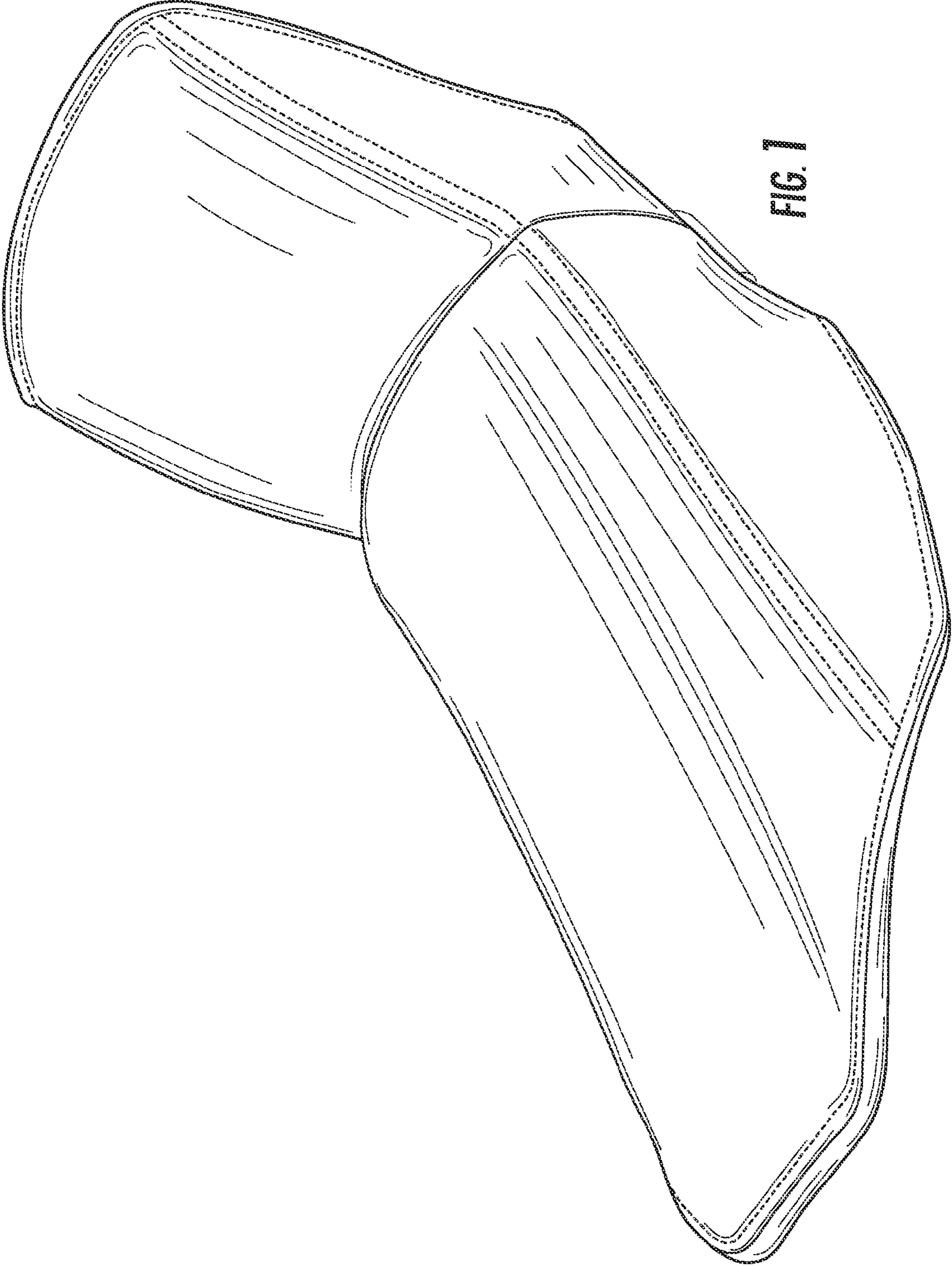


FIG. 1

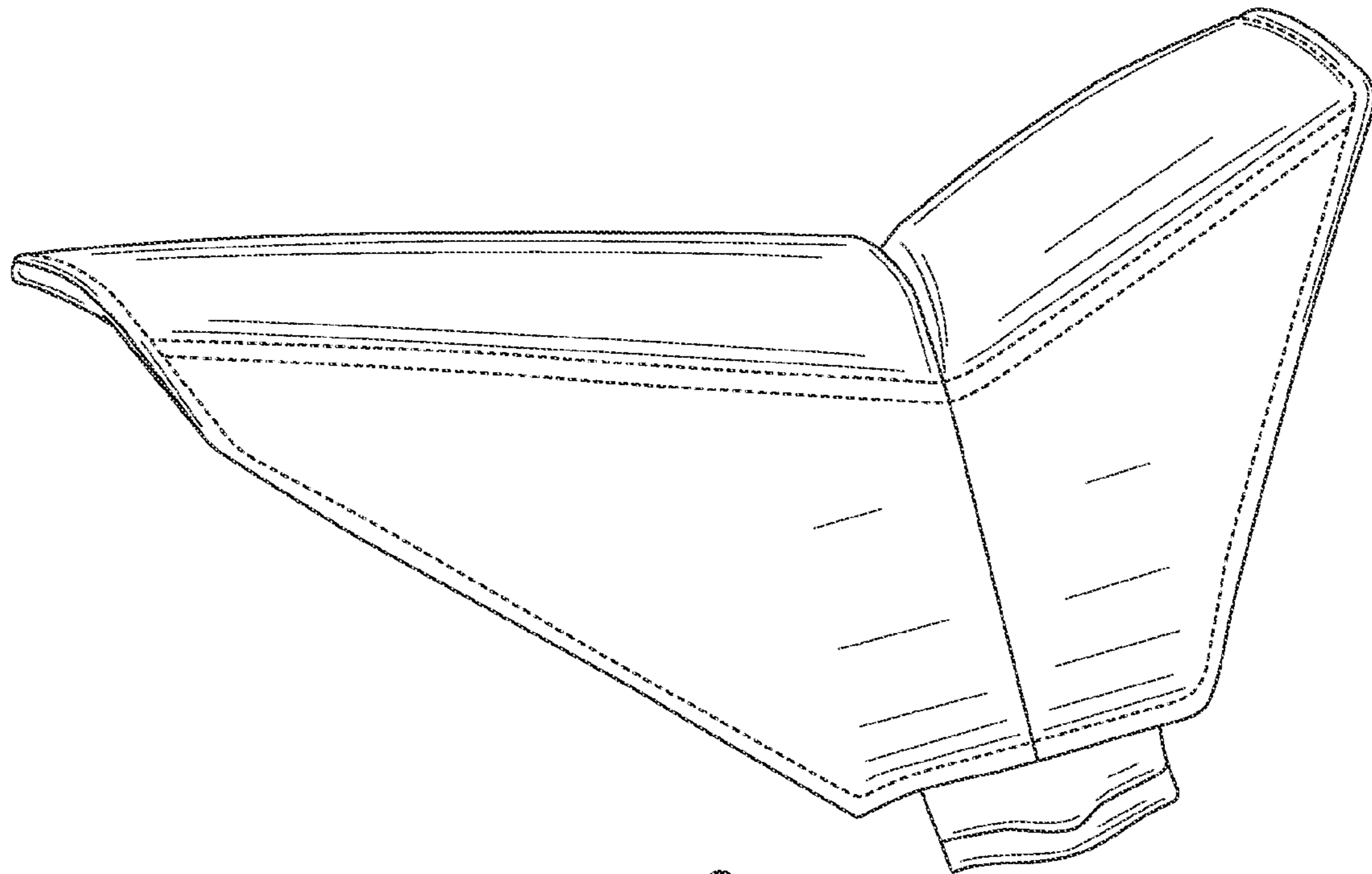


FIG. 2

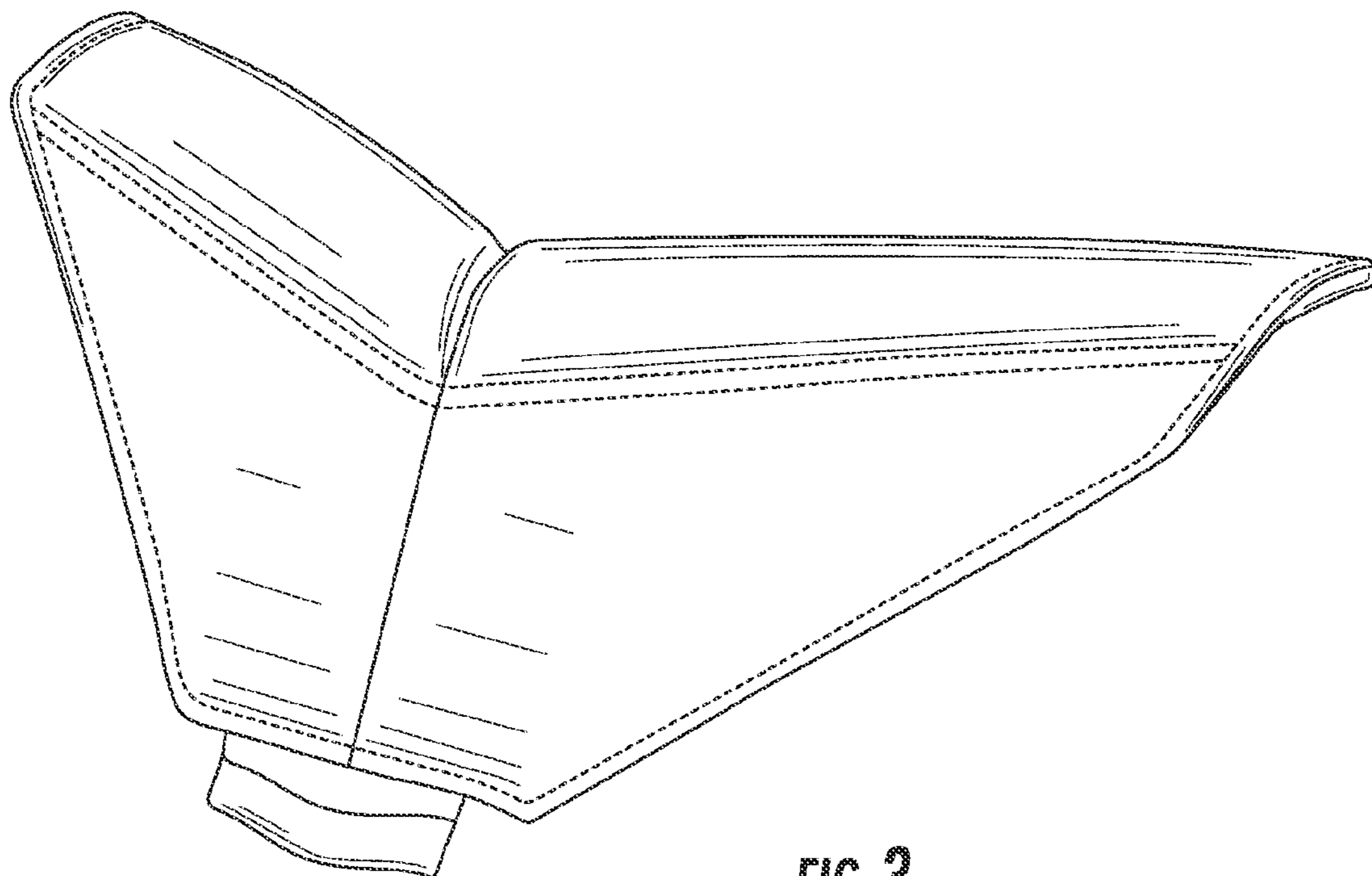


FIG. 3



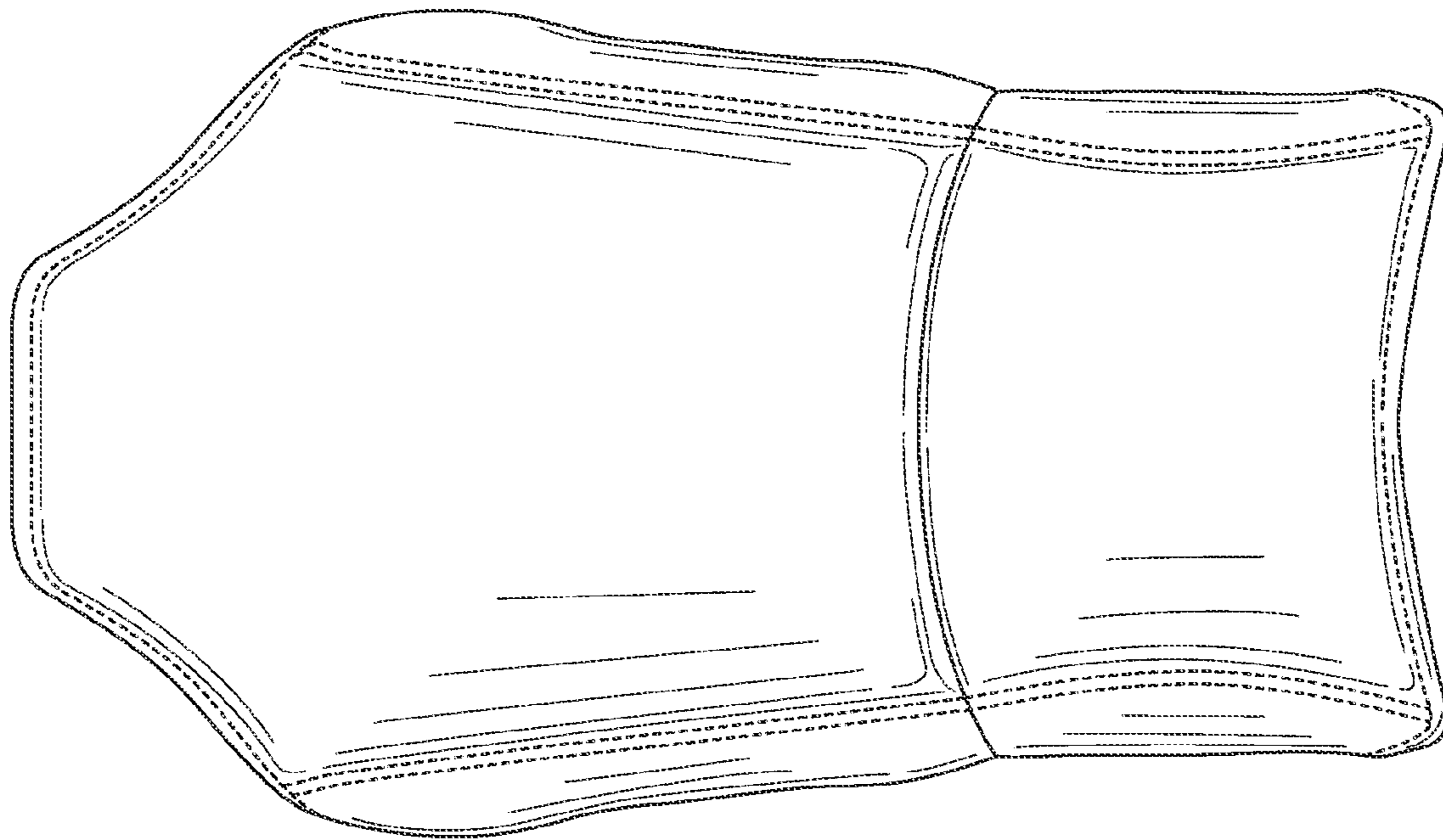


FIG. 4

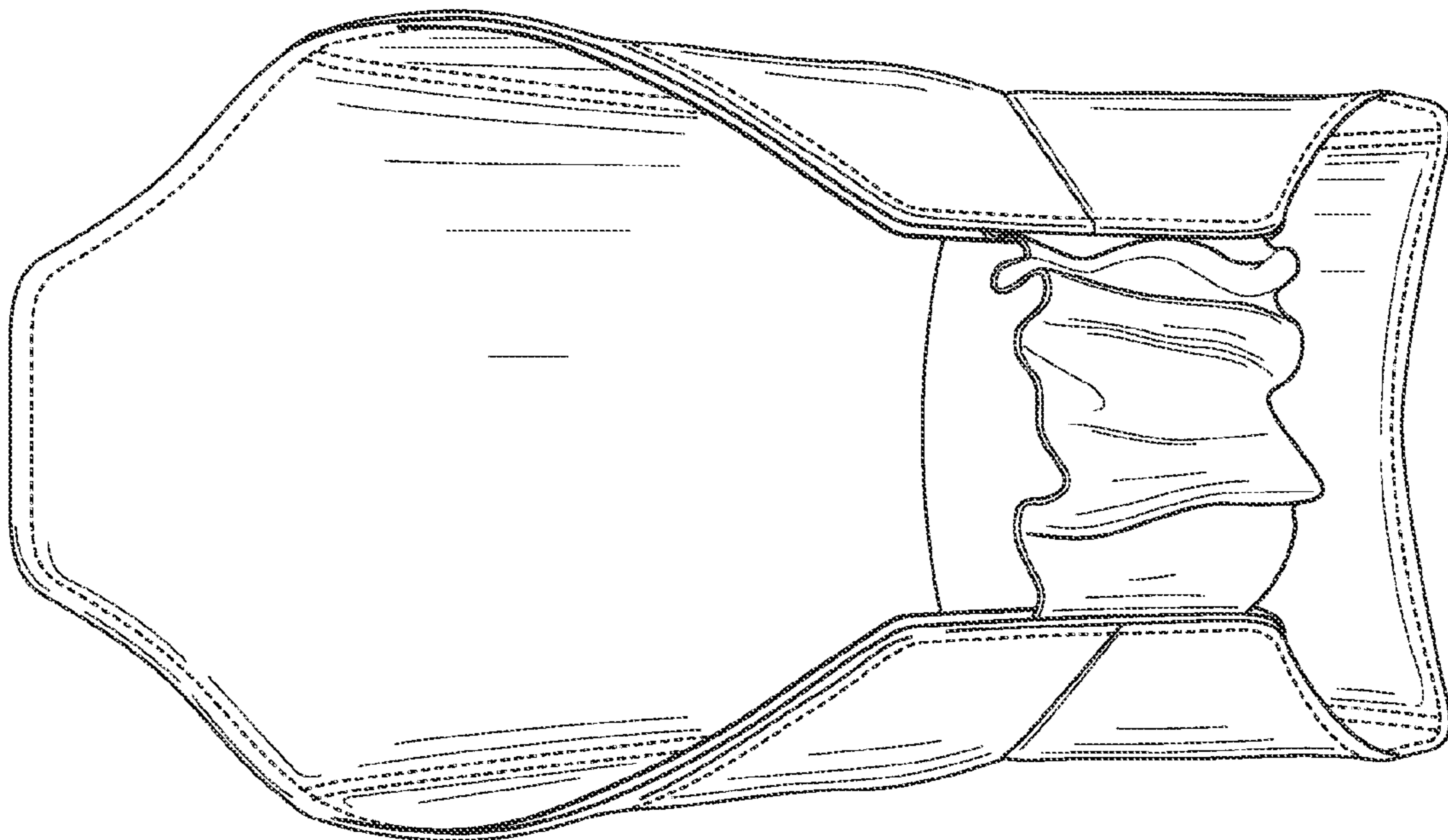
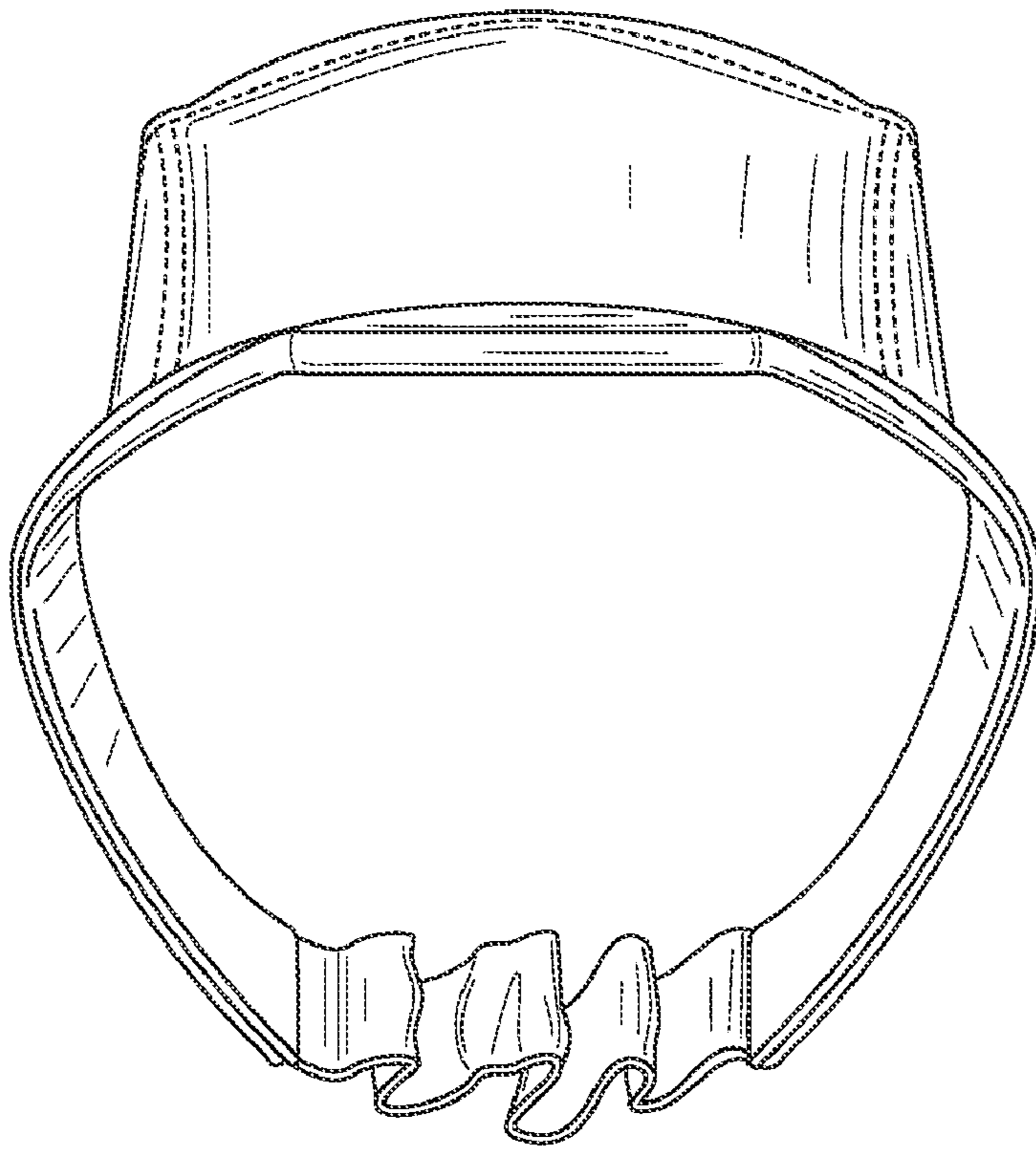
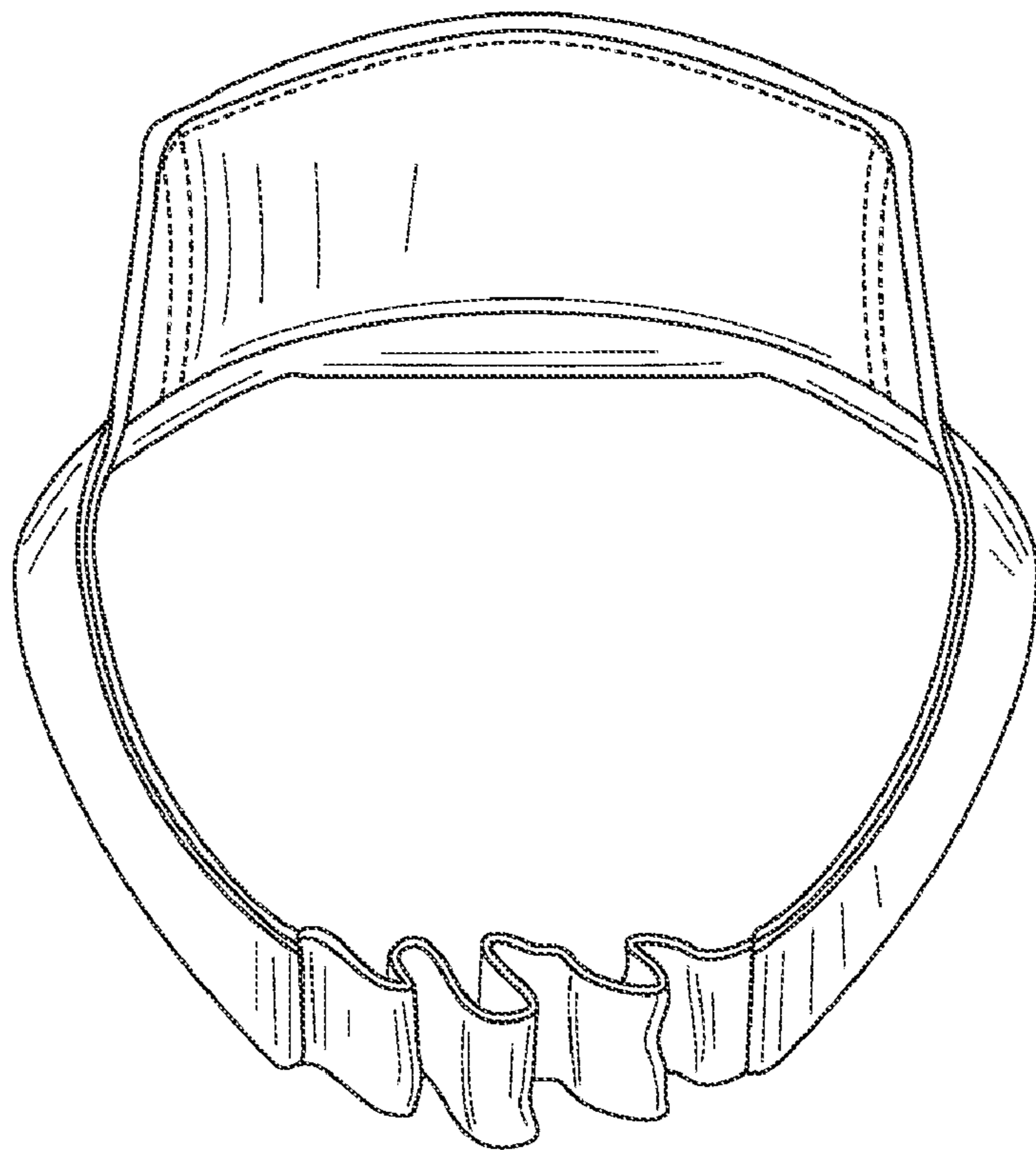


FIG. 5



**FIG. 6**



**FIG. 7**

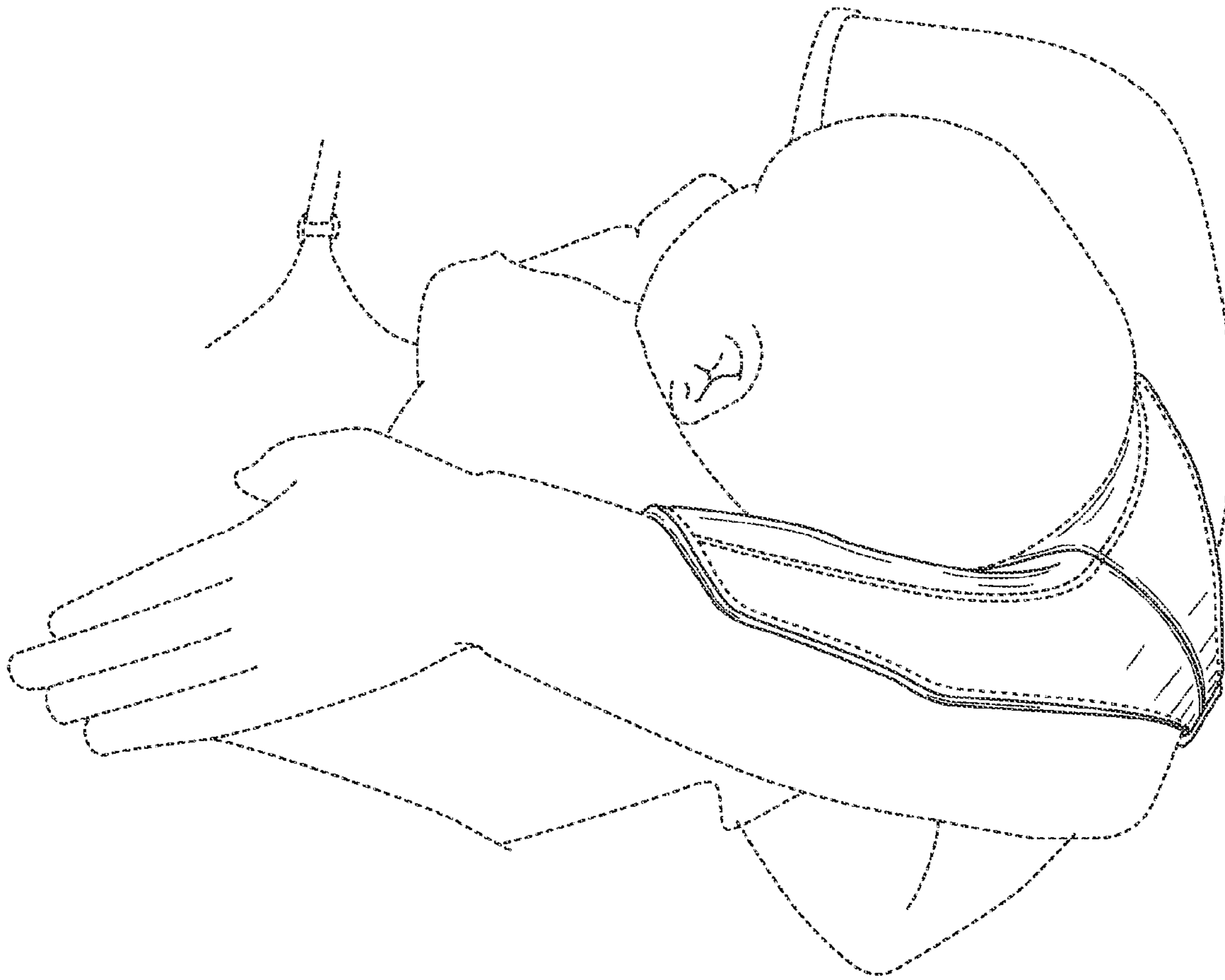


FIG. 8

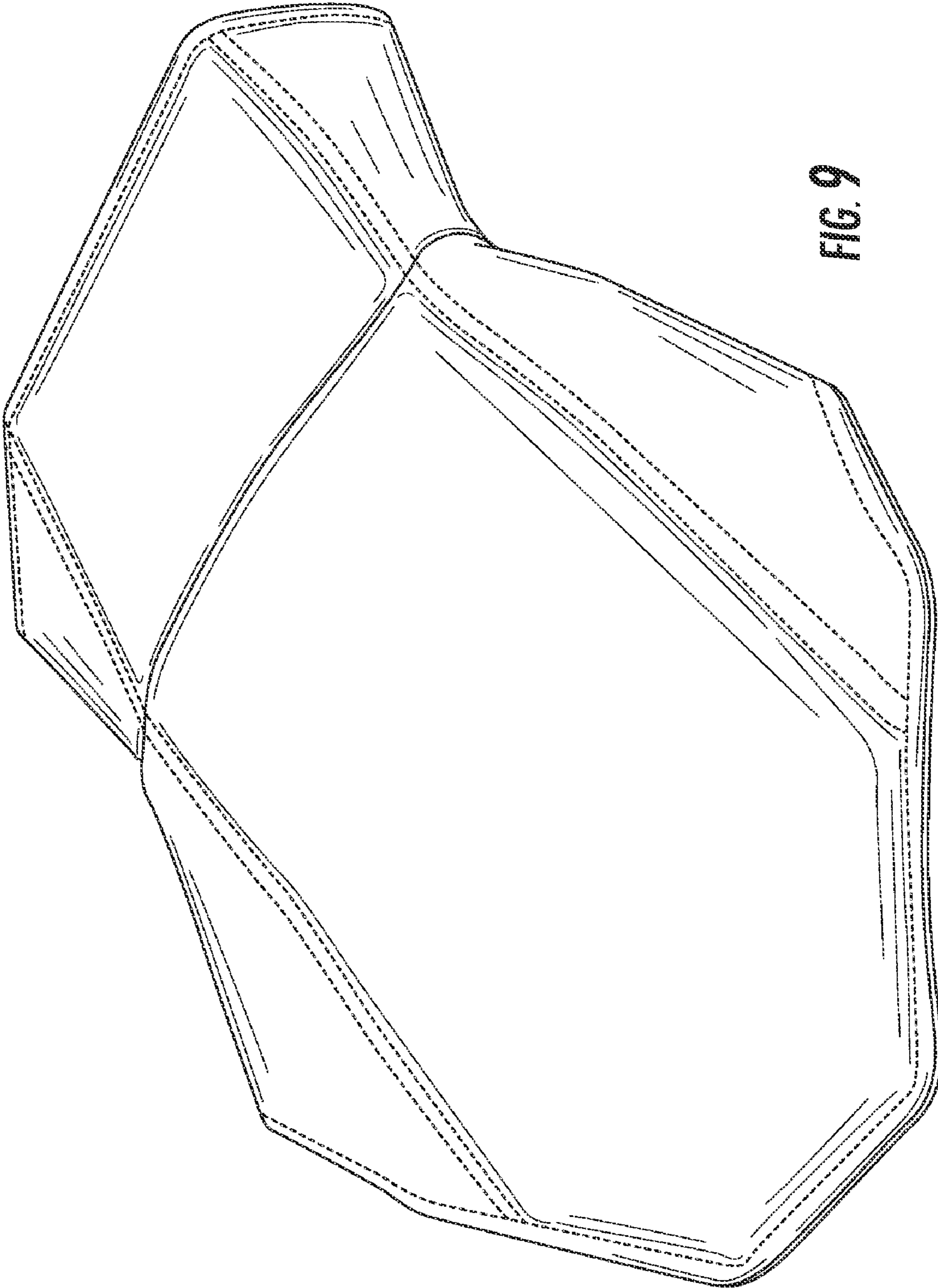


FIG. 9



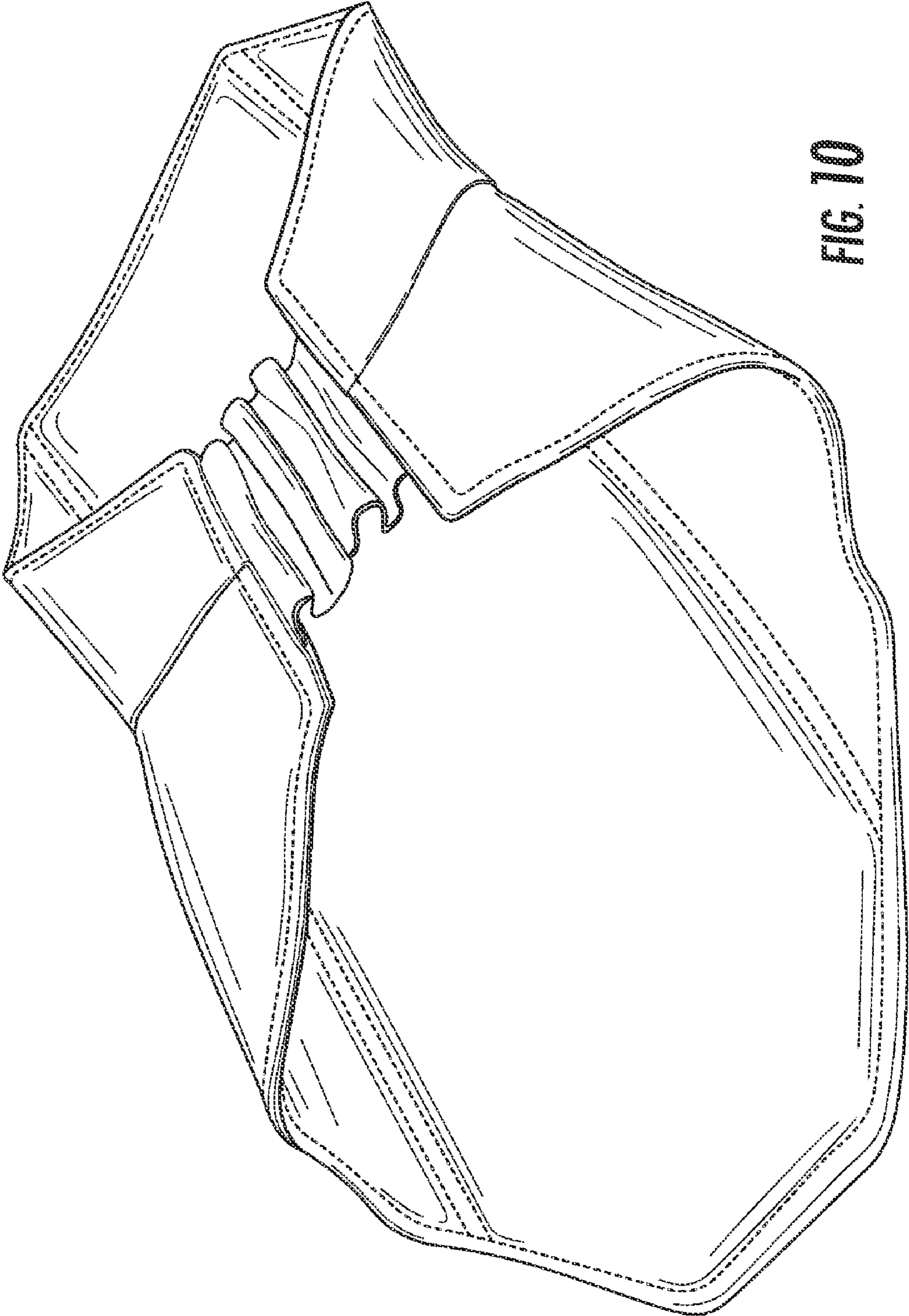


FIG. 10