



US00D612182S

(12) **United States Design Patent**
Bremmon et al.

(10) **Patent No.:** **US D612,182 S**
(45) **Date of Patent:** **** Mar. 23, 2010**

(54) **SHELF ATTACHMENT FOR ELECTRONIC DISPLAY MOUNT**

D520,794 S 5/2006 Grover

(75) Inventors: **Jeff Bremmon**, Shakopee, MN (US);
Jamie Brandt, Shakopee, MN (US)

(Continued)

(73) Assignee: **Milestone AV Technologies LLC**,
Savage, MN (US)

OTHER PUBLICATIONS

U.S. Appl. No. 29/282,348, filed Jul. 17, 2007, Russell.

(**) Term: **14 Years**

(Continued)

(21) Appl. No.: **29/319,788**

Primary Examiner—Brian N Vinson

(22) Filed: **Jun. 15, 2008**

(74) *Attorney, Agent, or Firm*—Patterson, Thunte, Skaar & Christensen P.A.

Related U.S. Application Data

(63) Continuation-in-part of application No. 29/299,836,
filed on Jan. 4, 2008, now abandoned.

(57) **CLAIM**

The ornamental design for a shelf attachment for electronic display mount, as shown and described.

(51) **LOC (9) Cl.** **06-04**

(52) **U.S. Cl.** **D6/567**

(58) **Field of Classification Search** D6/553,
D6/567, 555, 574, 474, 461, 468, 570, 569;
108/40, 42, 35, 59, 91, 92, 96, 134, 115,
108/152; 211/87.01, 90.04, 90.02, 119.005,
211/126.5, 134, 40, 41.12, 42, 49.1, 50
See application file for complete search history.

DESCRIPTION

FIG. 1 is a front perspective view of a shelf attachment for electronic display mount according to the invention;

FIG. 2 is a front elevation view of the shelf attachment for electronic display mount depicted in FIG. 1;

FIG. 3 is a rear elevation view of the shelf attachment for electronic display mount depicted in FIG. 1;

FIG. 4 is a side elevation view of the shelf attachment for electronic display mount depicted in FIG. 1;

FIG. 5 is an opposing side elevation view of the shelf attachment for electronic display mount depicted in FIG. 1;

FIG. 6 is a top plan view of the shelf attachment for electronic display mount depicted in FIG. 1; and,

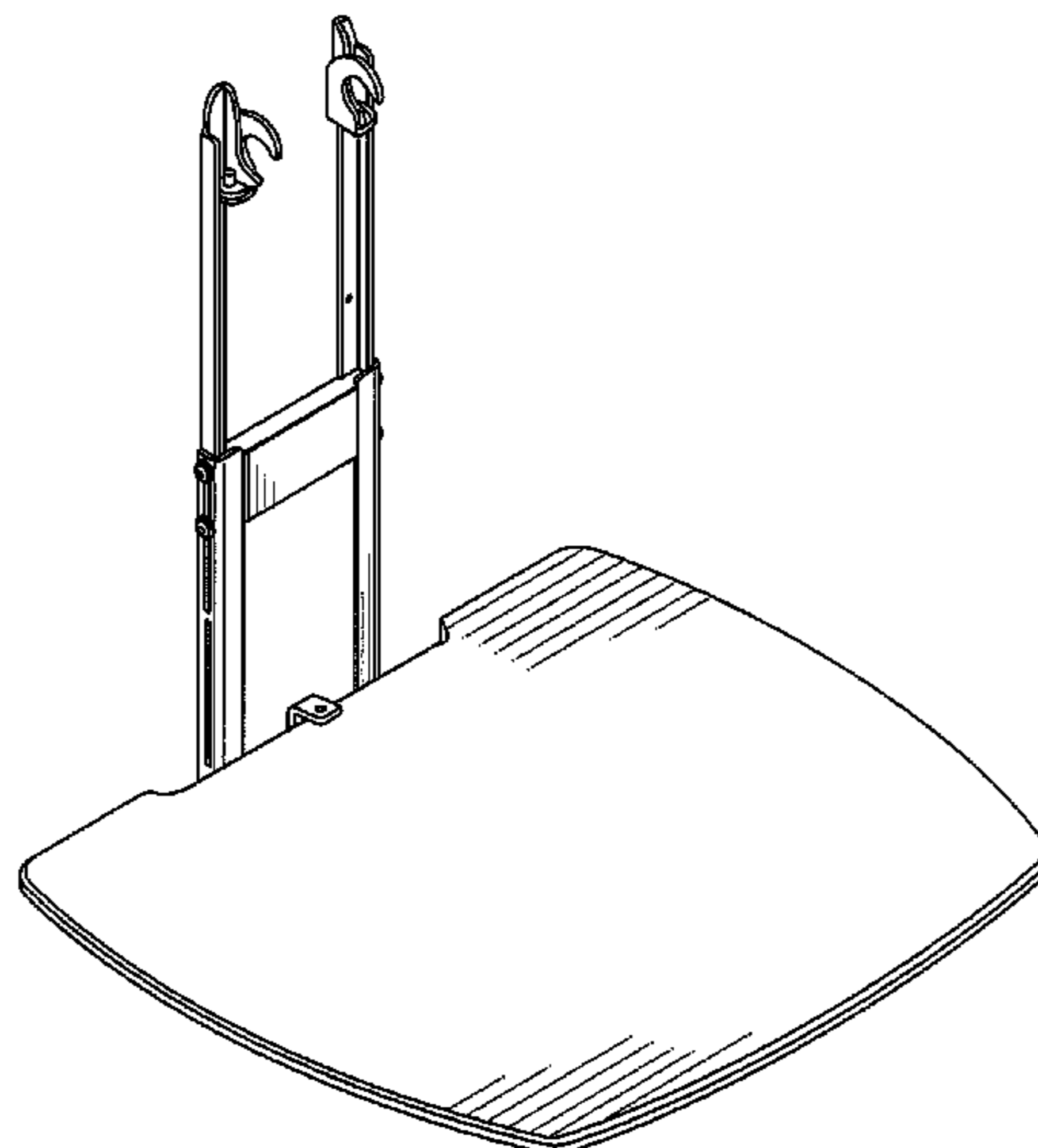
FIG. 7 is a bottom plan view of the shelf attachment for electronic display mount depicted in FIG. 1.

(56) **References Cited**

U.S. PATENT DOCUMENTS

3,146,738	A	9/1964	Telarico	
3,698,329	A	10/1972	Diamond et al.	
D260,336	S	8/1981	Springer	
D279,249	S	6/1985	Fausel	
D282,328	S	1/1986	Brescia et al.	
D293,404	S	12/1987	Murphy	
D331,338	S *	12/1992	Sussman	D6/474
5,348,385	A	9/1994	Berg	
D359,643	S	6/1995	Langmade	
D406,476	S	3/1999	Boije	
6,644,609	B1	11/2003	Scott	
D497,537	S	10/2004	O'Keene et al.	
D508,171	S *	8/2005	Choo	D6/474
D509,083	S *	9/2005	Sexton	D6/474

1 Claim, 7 Drawing Sheets



US D612,182 S

Page 2

U.S. PATENT DOCUMENTS

D530,595 S 10/2006 Lam et al.
D537,656 S * 3/2007 Stenhouse et al. D6/474
D538,093 S * 3/2007 Lee D6/555
D543,729 S * 6/2007 Weatherly D6/474
D545,604 S 7/2007 Eyman et al.
D546,103 S 7/2007 Eyman et al.
D547,585 S * 7/2007 Netto et al. D6/574
D549,232 S 8/2007 Li et al.
D560,411 S 1/2008 Chung

D560,672 S 1/2008 Muday et al.
D565,054 S 3/2008 Anderson et al.
2007/0193481 A1 8/2007 Wiebe et al.
2008/0054147 A1 3/2008 Muday et al.

OTHER PUBLICATIONS

U.S. Appl. No. 29/282,349, filed Jul. 17, 2007, Russell.
U.S. Appl. No. 29/299,833, filed Jan. 4, 2008, Bremmon et al.
Instruction Manual for Superior Mount, dated Feb. 1, 2007, pp. 12.

* cited by examiner

Fig. 1

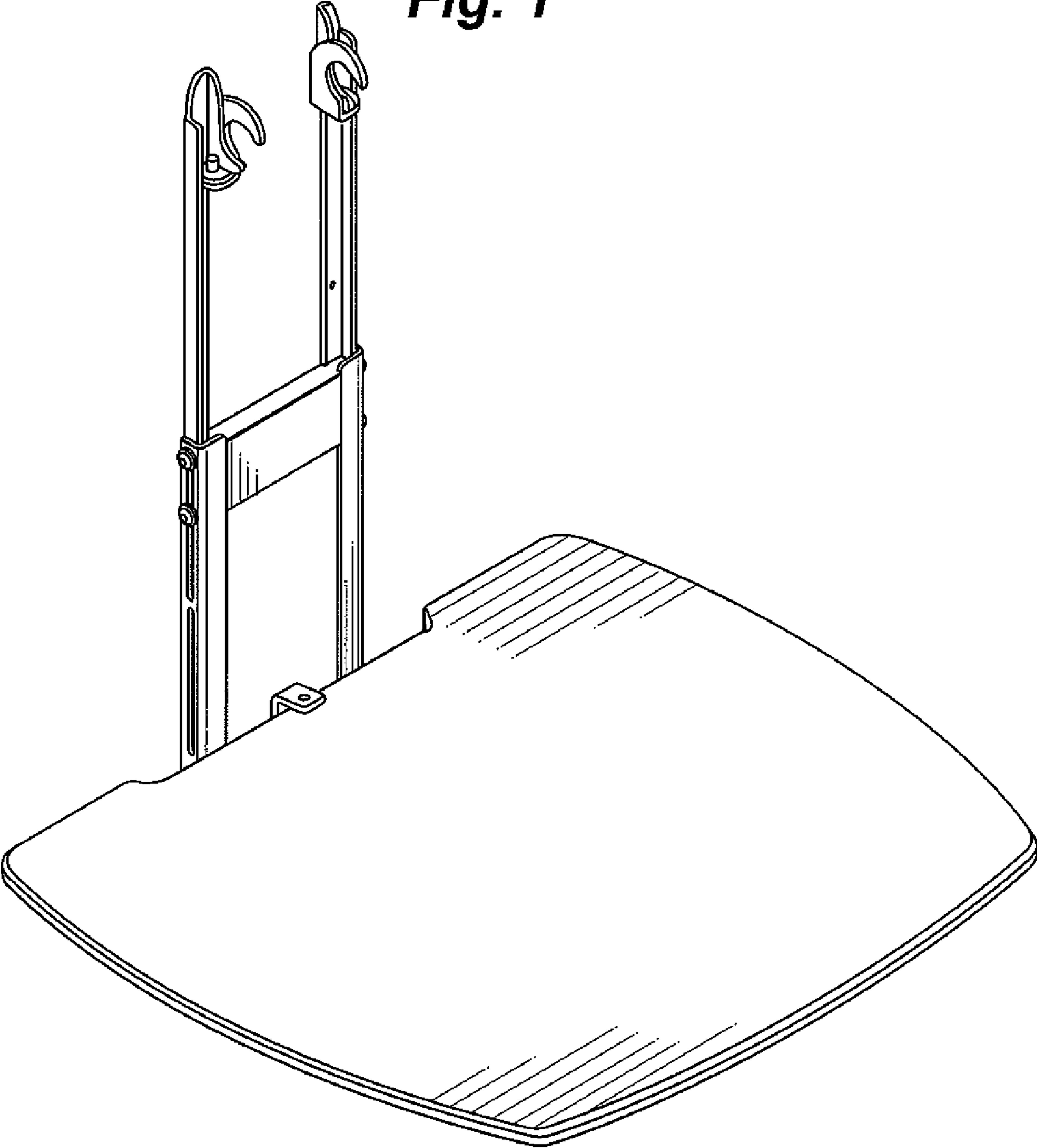


Fig. 2

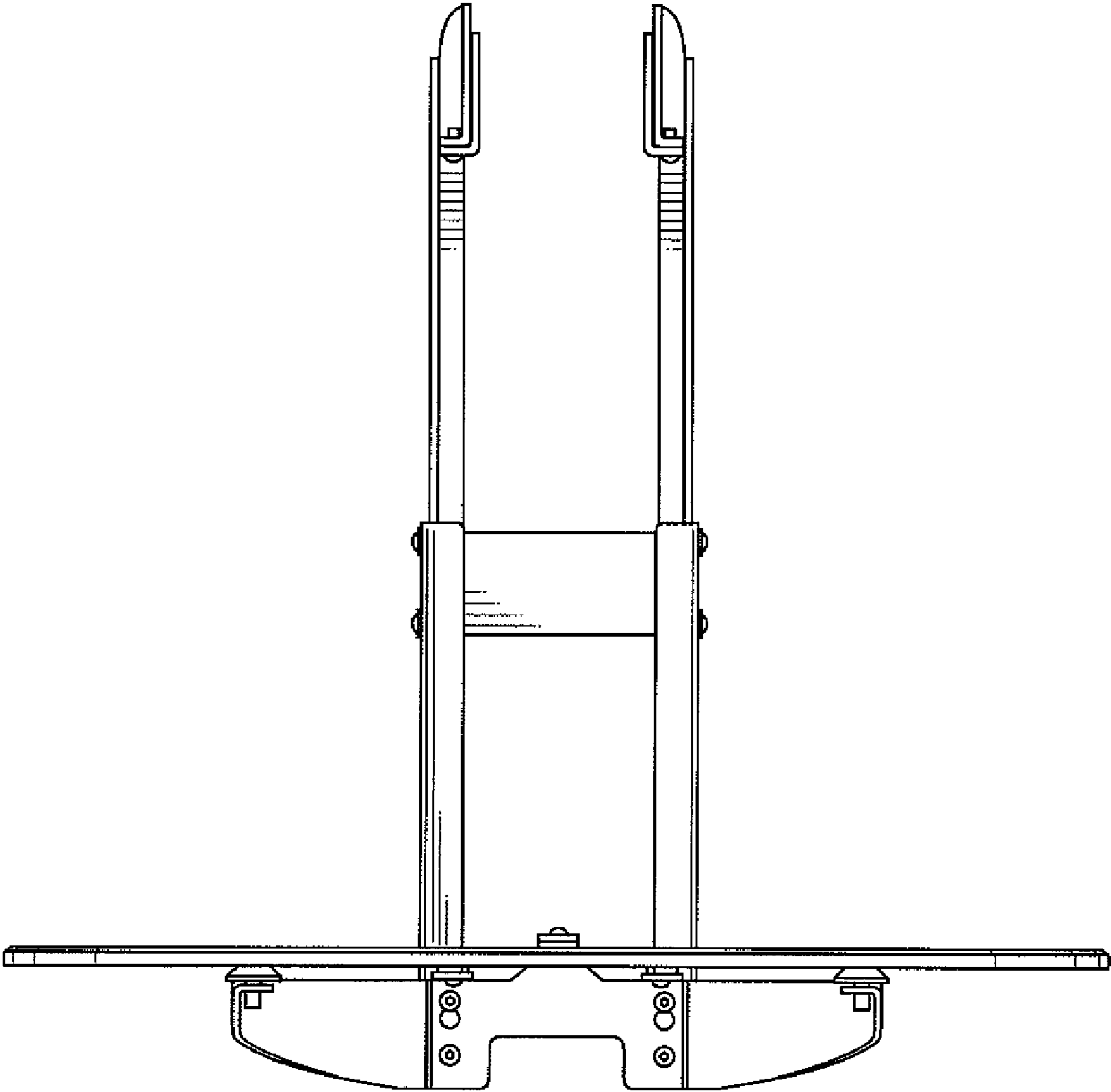


Fig. 3

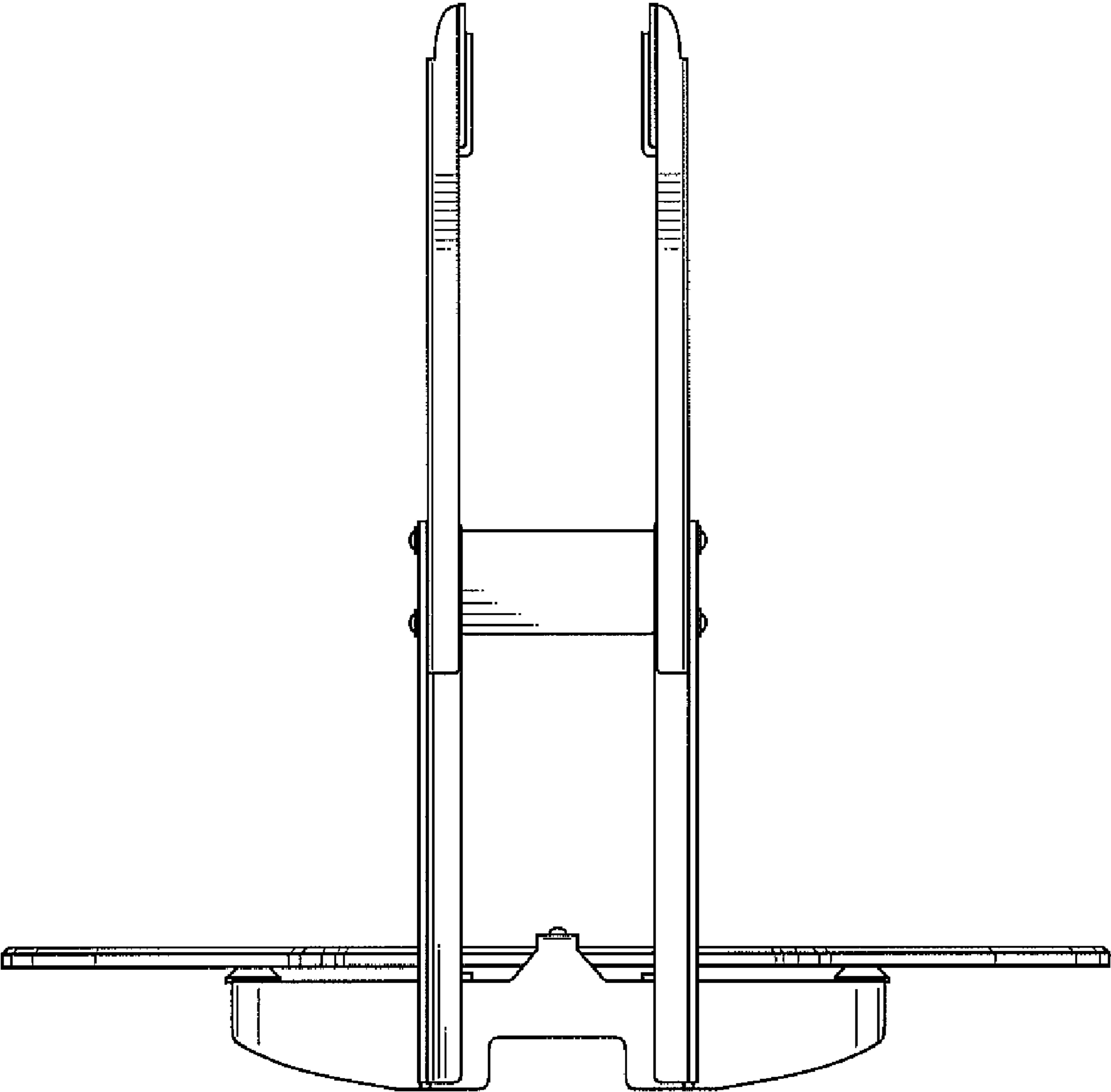


Fig. 4

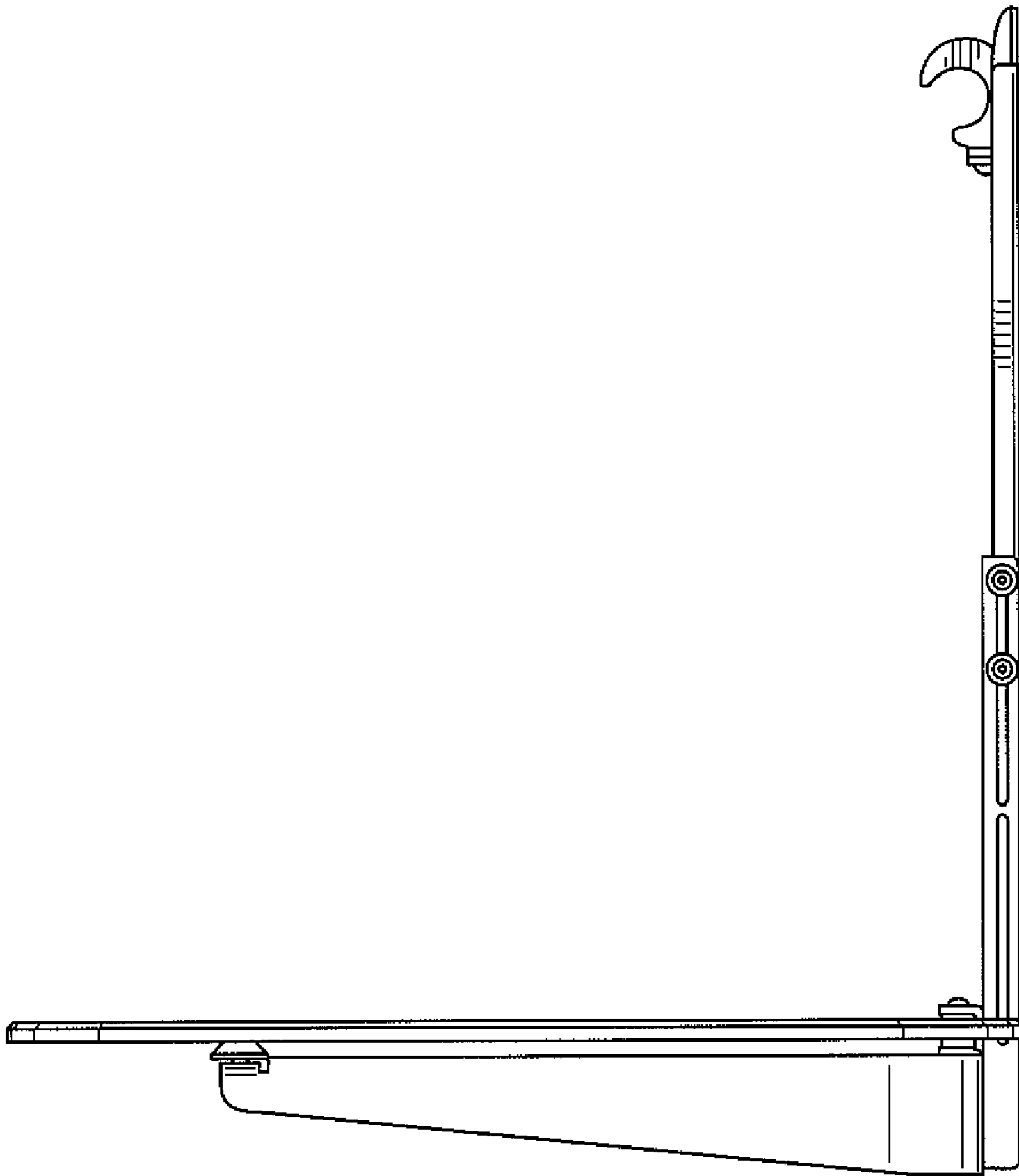


Fig. 5

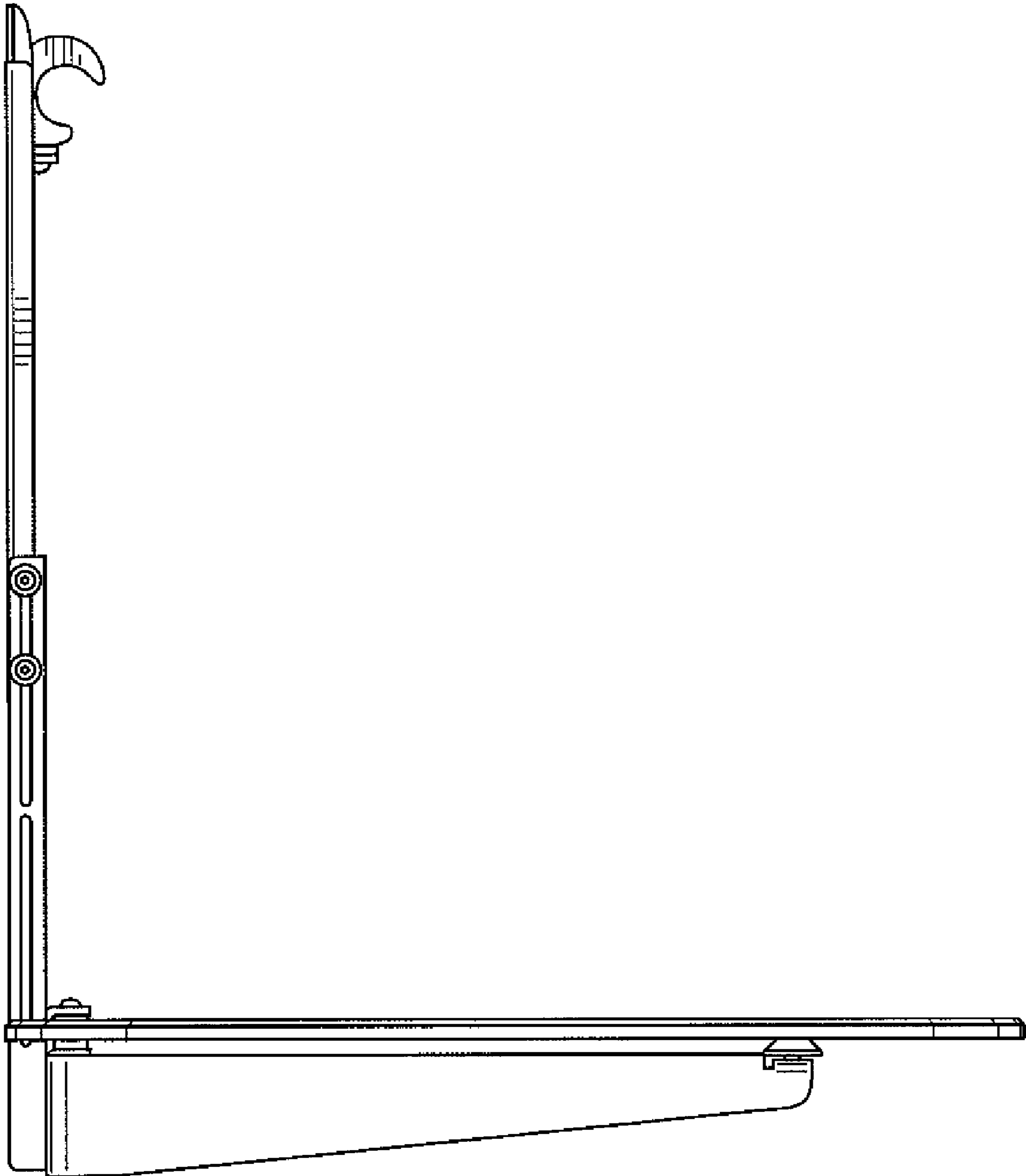


Fig. 6

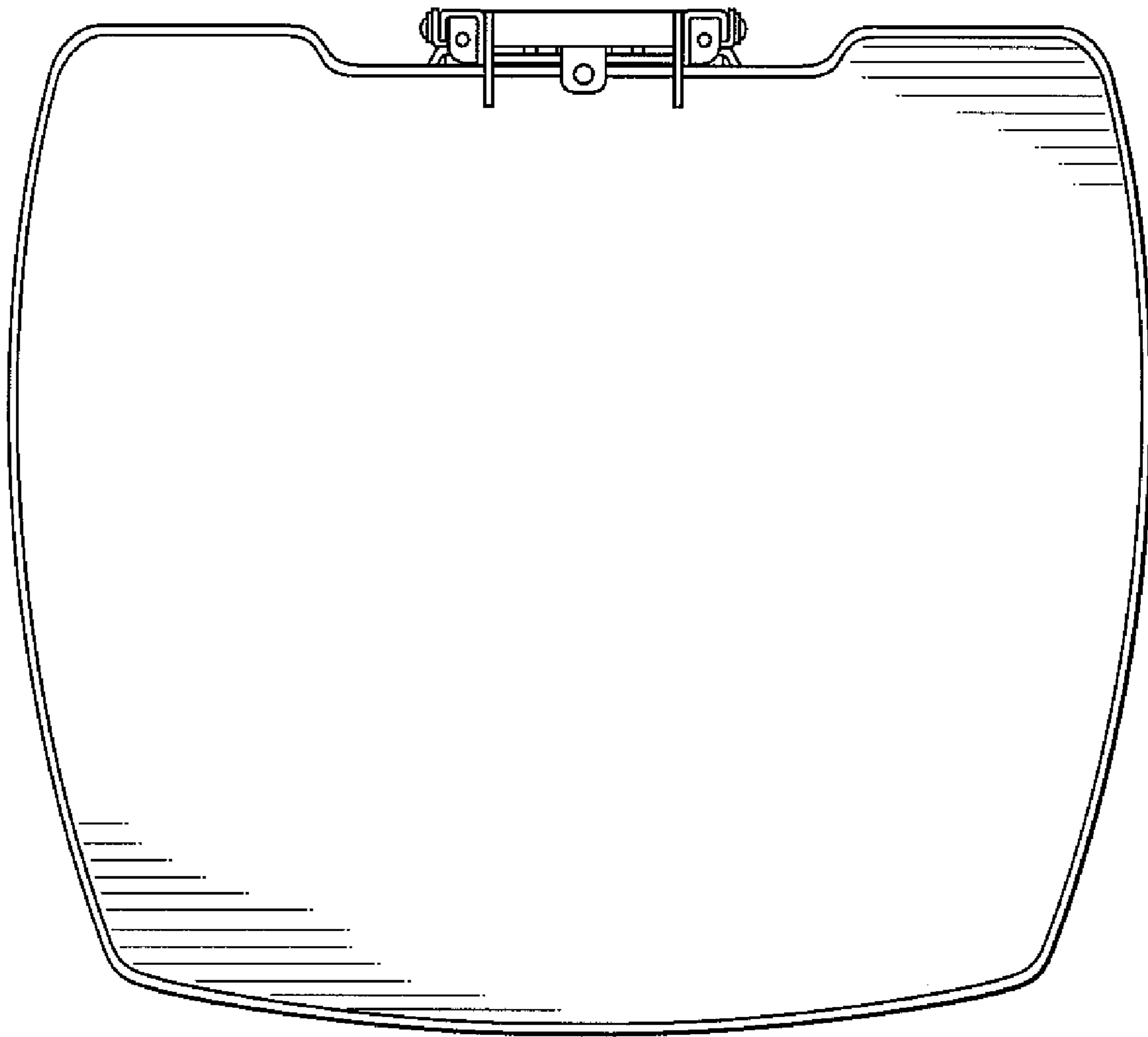


Fig. 7

