



US00D612180S

(12) **United States Design Patent**
Mayer

(10) **Patent No.:** **US D612,180 S**
(45) **Date of Patent:** **** Mar. 23, 2010**

(54) **BATHROOM ACCESSORY**

(76) Inventor: **Simone Mayer**, c/o Front of the House, Inc., 9315 Park Dr., Suite C, Miami Shores, FL (US) 33138

(**) Term: **14 Years**

(21) Appl. No.: **29/315,533**

(22) Filed: **Jul. 2, 2009**

Related U.S. Application Data

(62) Division of application No. 29/310,908, filed on Sep. 16, 2008.

(51) **LOC (9) Cl.** **23-02**

(52) **U.S. Cl.** **D6/524; D6/525; D6/536**

(58) **Field of Classification Search** D6/536-540, D6/524, 525; D7/502, 550, 554.2; 206/77.1, 206/557, 587, 823; 211/13.1, 85.4, 85.12; D9/682, 690, 692

See application file for complete search history.

(56) **References Cited**

U.S. PATENT DOCUMENTS

D285,996 S *	10/1986	Bussell	D6/536
D302,832 S *	8/1989	King	D6/536
D302,987 S *	8/1989	King	D6/536
D329,560 S *	9/1992	Levien	D6/524
D432,835 S *	10/2000	de Baschmakoff	D6/536
D446,980 S *	8/2001	Lillelund et al.	D6/536
D533,741 S *	12/2006	Joseph	D6/536
D547,583 S *	7/2007	Dretzka	D6/536
D549,503 S *	8/2007	Nagoya	D6/536

* cited by examiner

Primary Examiner—Brian N Vinson

(74) *Attorney, Agent, or Firm*—Fross Zelnick Lehrman & Zissu, P.C.; Lawrence E. Apolzon, Esq.

(57) **CLAIM**

The ornamental design for a bathroom accessory, as shown and described.

DESCRIPTION

FIG. 1 is a perspective view of a bathroom accessory showing a first embodiment of my design as embodied in a soap dish;

FIG. 2 is a side view of the soap dish shown in FIG. 1, with the opposite side view being a mirror image thereof;

FIG. 3 is a front view of the soap dish shown in FIG. 1, with the rear view being a mirror image thereof;

FIG. 4 is a top view of the soap dish shown in FIG. 1;

FIG. 5 is a bottom view of the soap dish shown in FIG. 1;

FIG. 6 is a perspective view of a bathroom accessory showing a second embodiment of my design as embodied in an amenity tray;

FIG. 7 is a side view of the amenity tray shown in FIG. 6, with the opposite side view being a mirror image thereof;

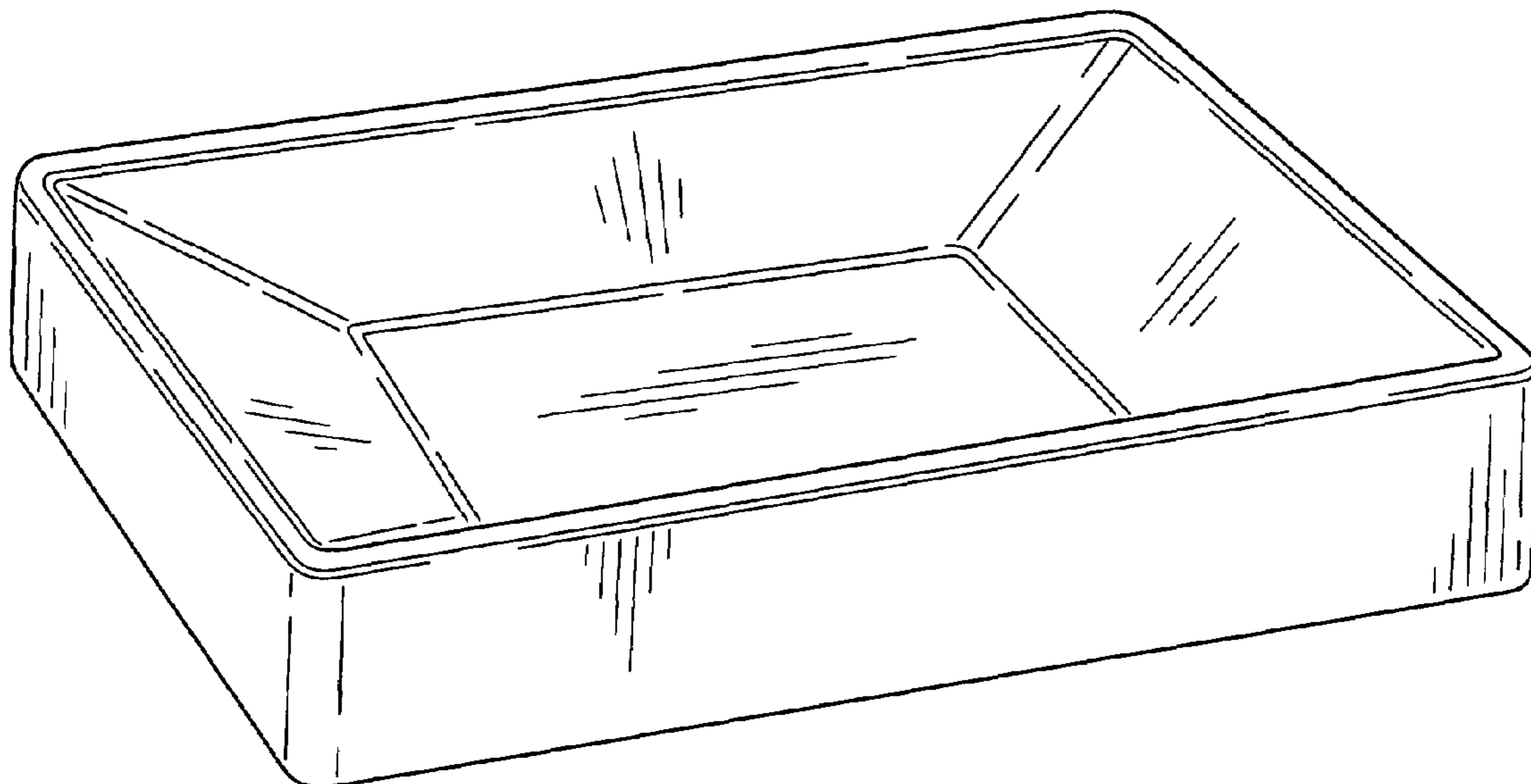
FIG. 8 is a front view of the amenity tray shown in FIG. 6, with the rear view being a mirror image thereof;

FIG. 9 is a top view of the amenity tray shown in FIG. 6; and,

FIG. 10 is a bottom view of the amenity tray shown in FIG. 6.

The broken lines showing of the bottom portions of both embodiments of the bathroom accessory is for illustrative purposes only and forms no part of the claimed design.

1 Claim, 6 Drawing Sheets



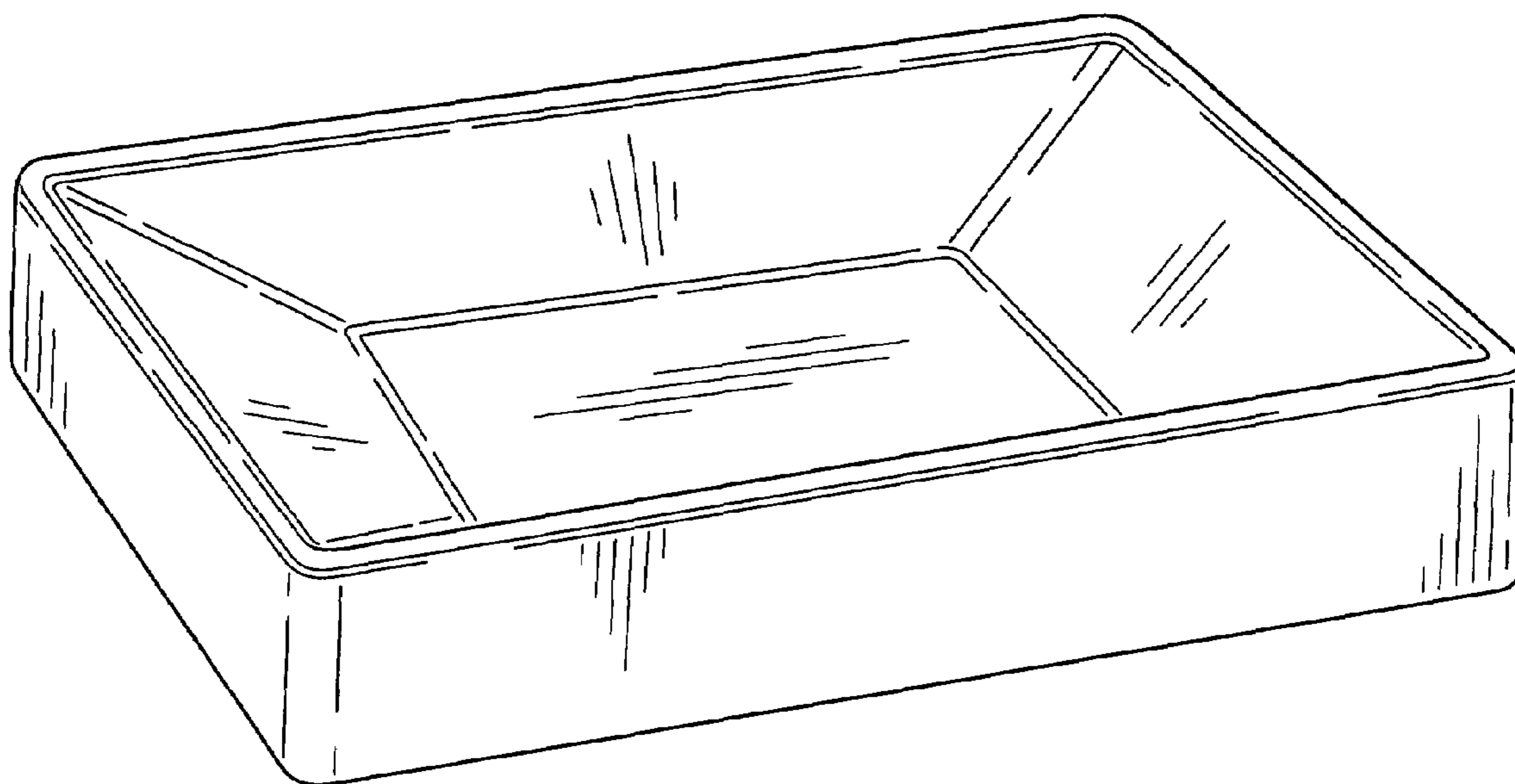


FIG. 1

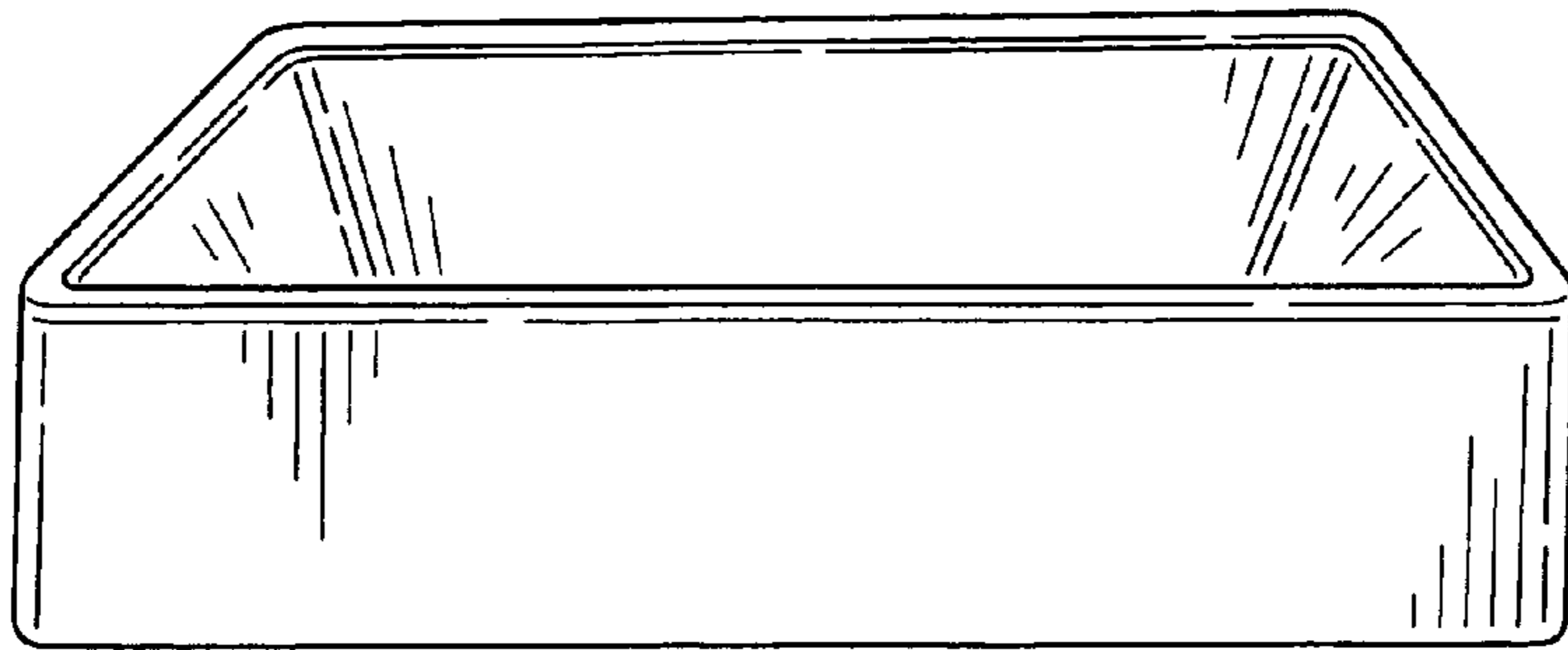


FIG. 2

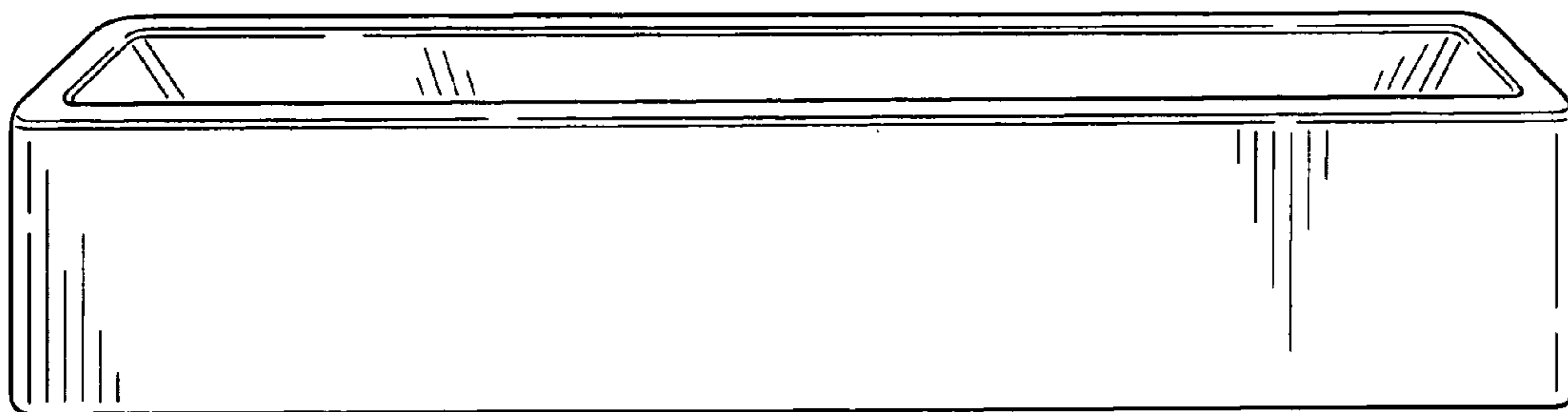


FIG. 3

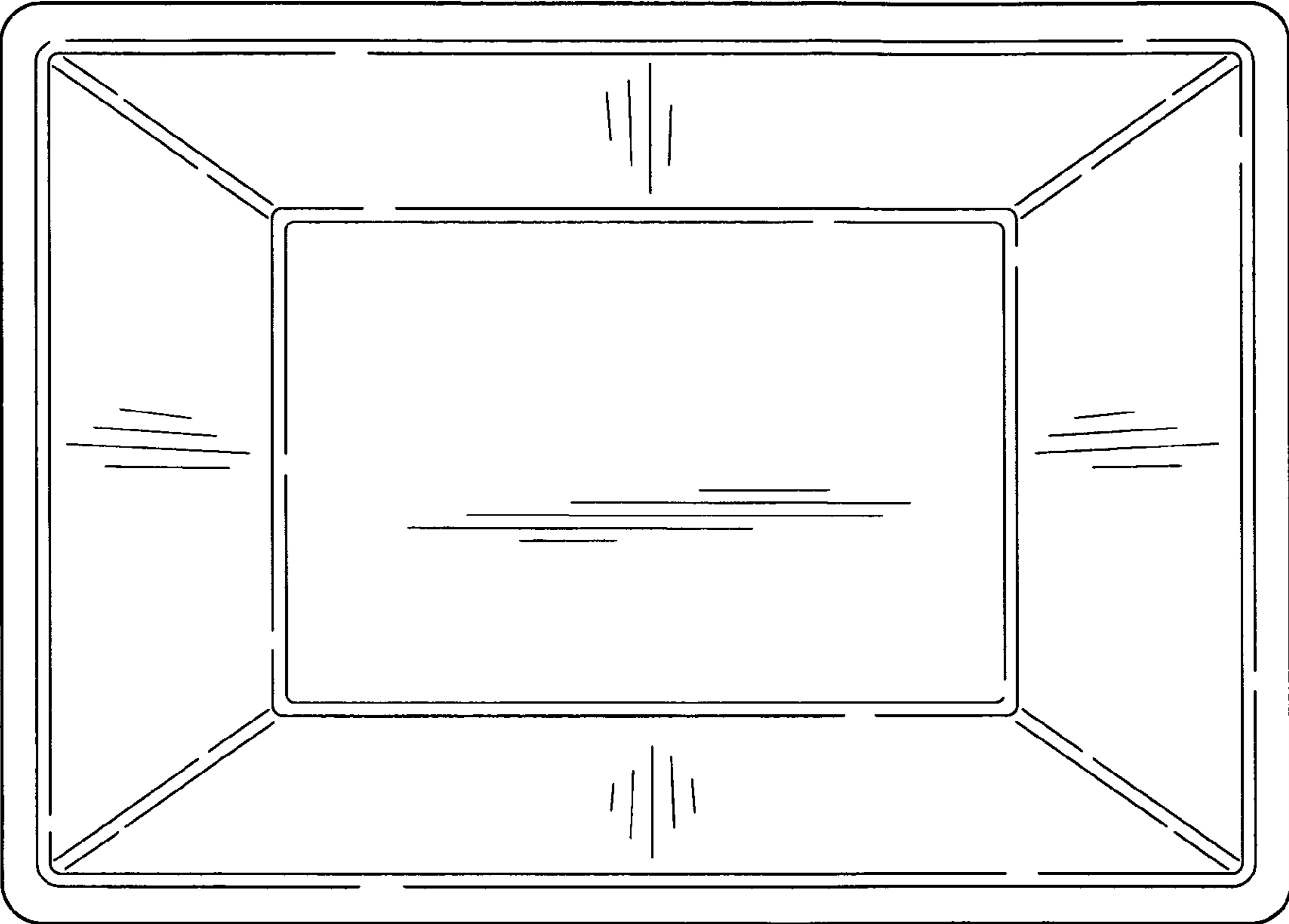


FIG. 4

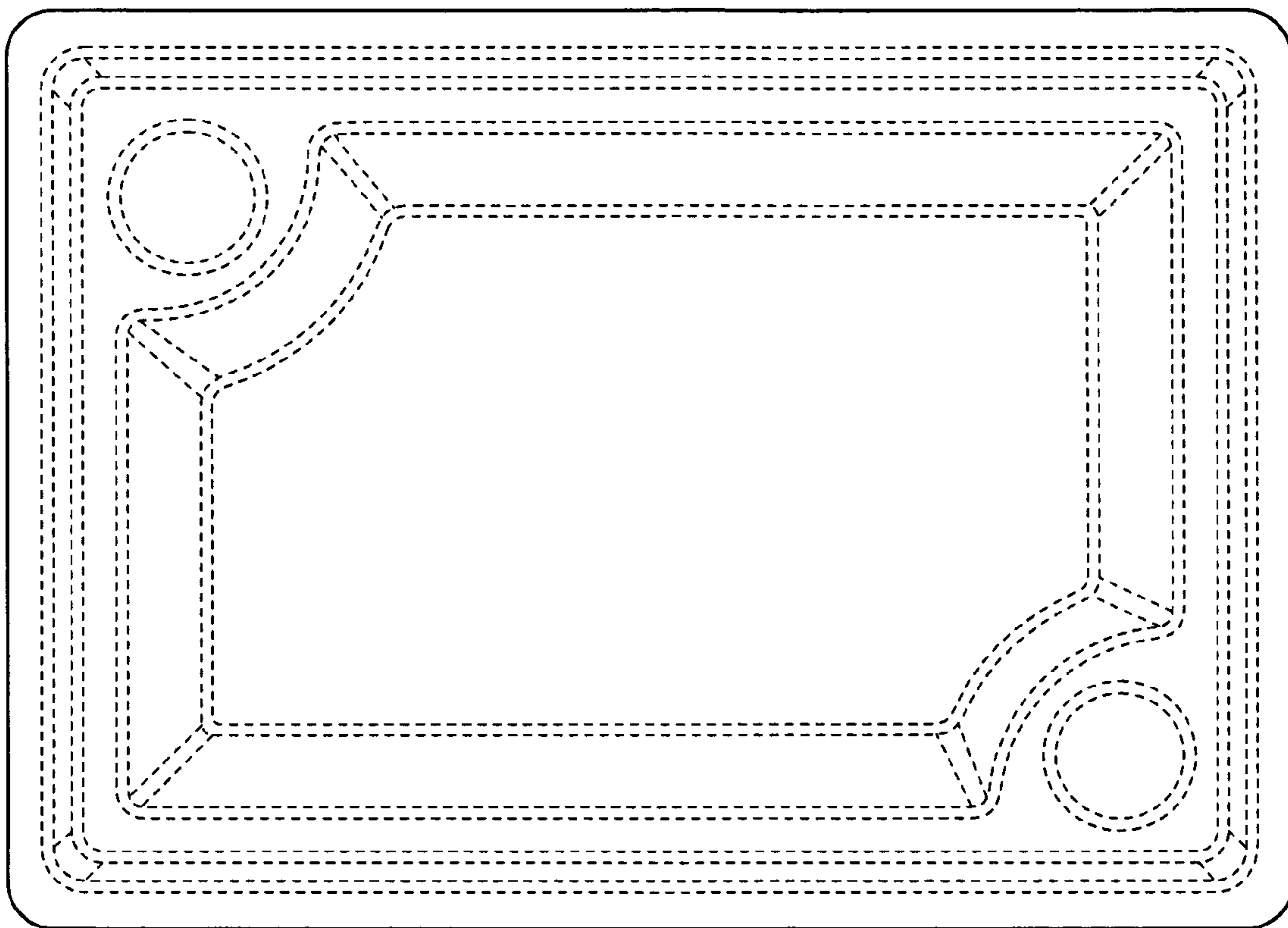


FIG. 5

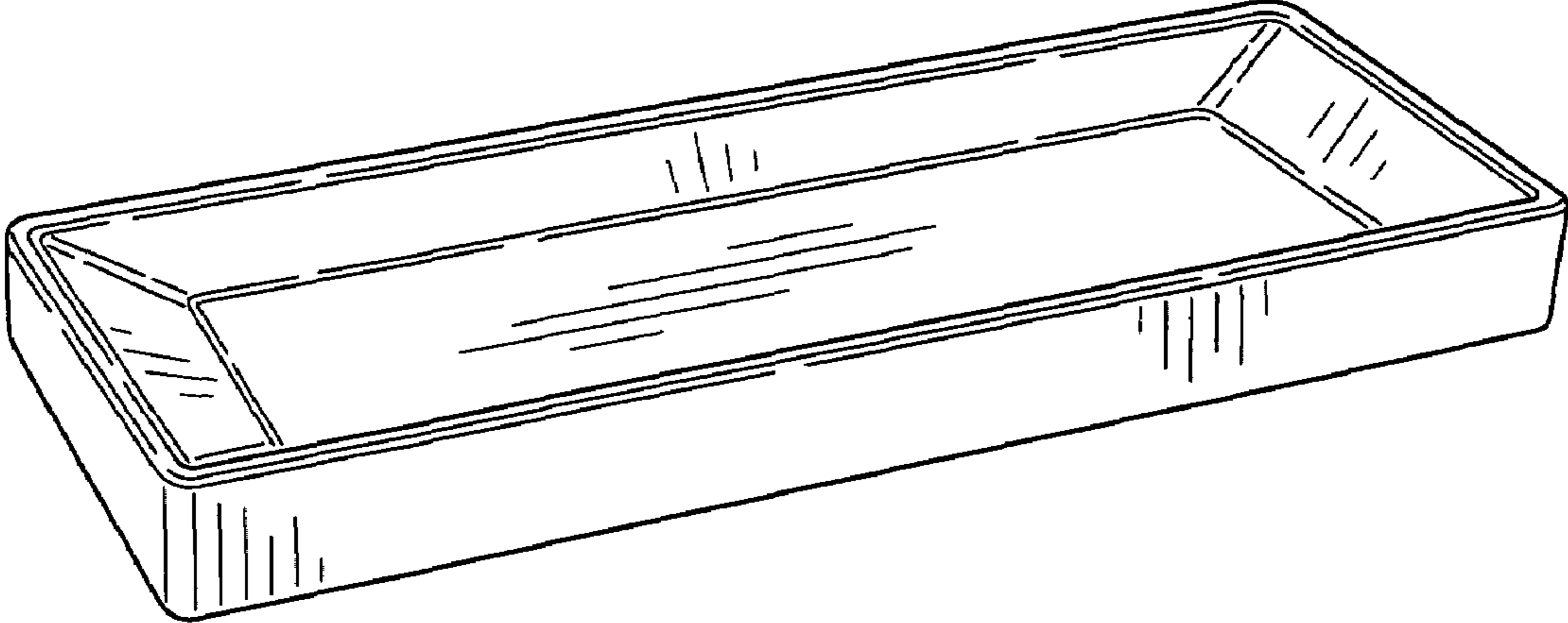


FIG. 6

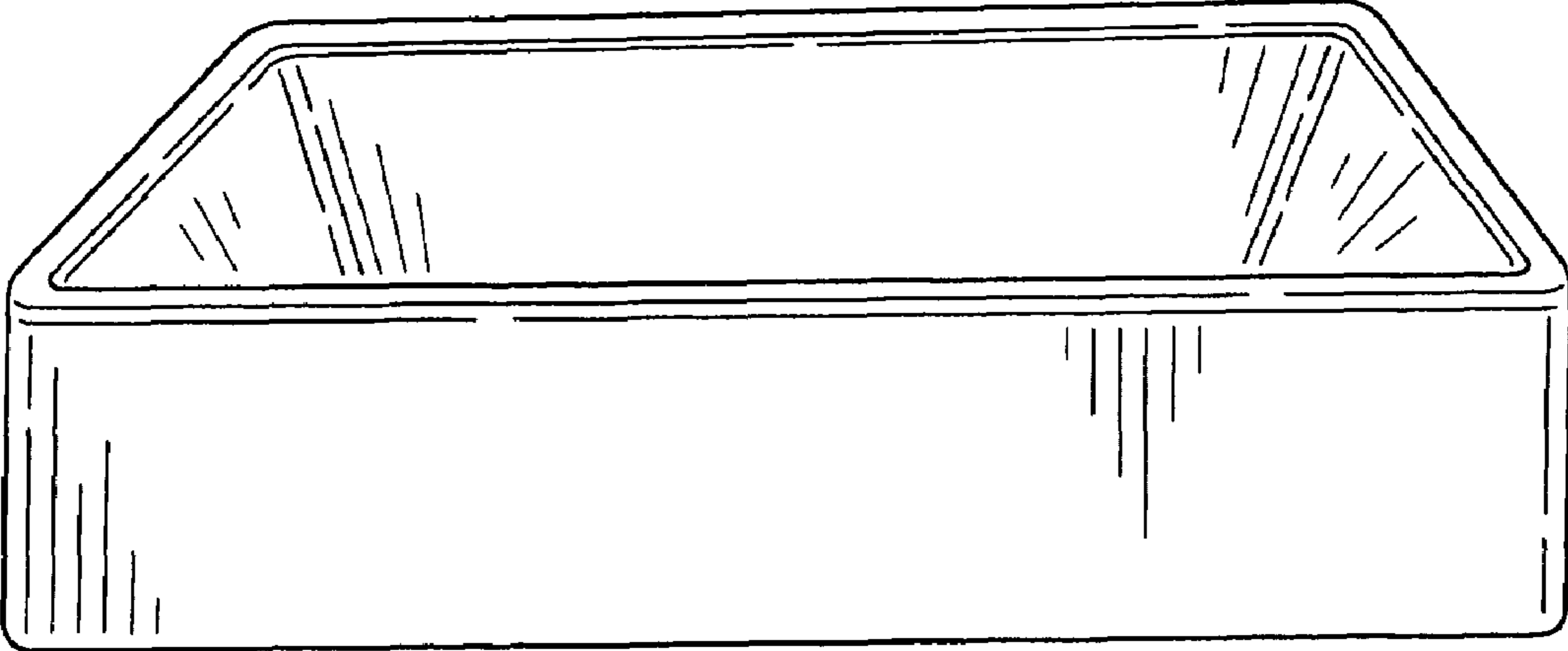


FIG. 7

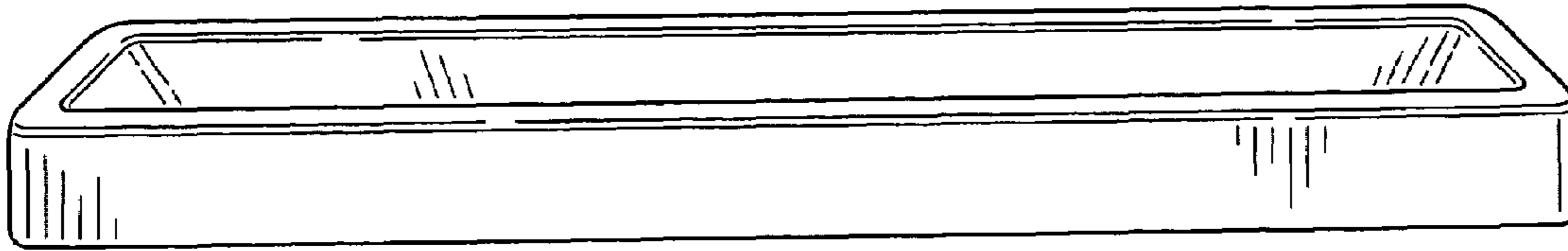


FIG. 8

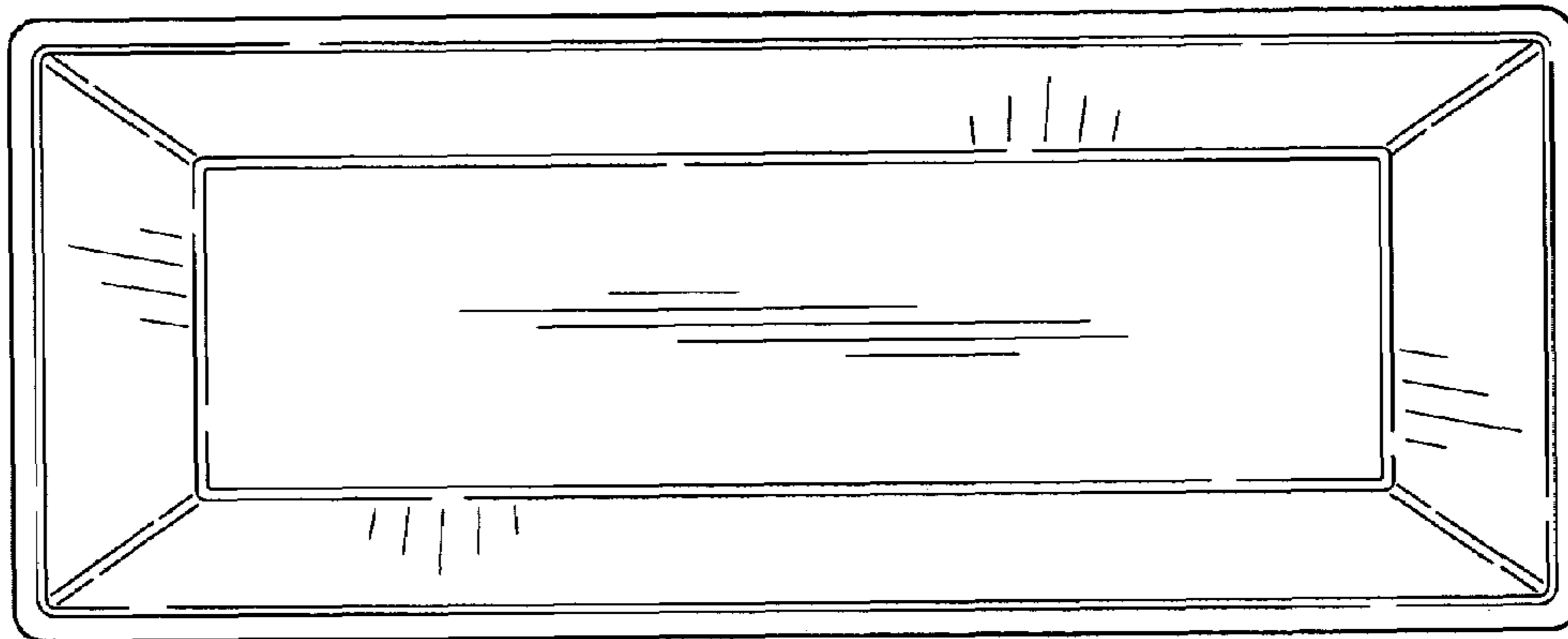


FIG. 9

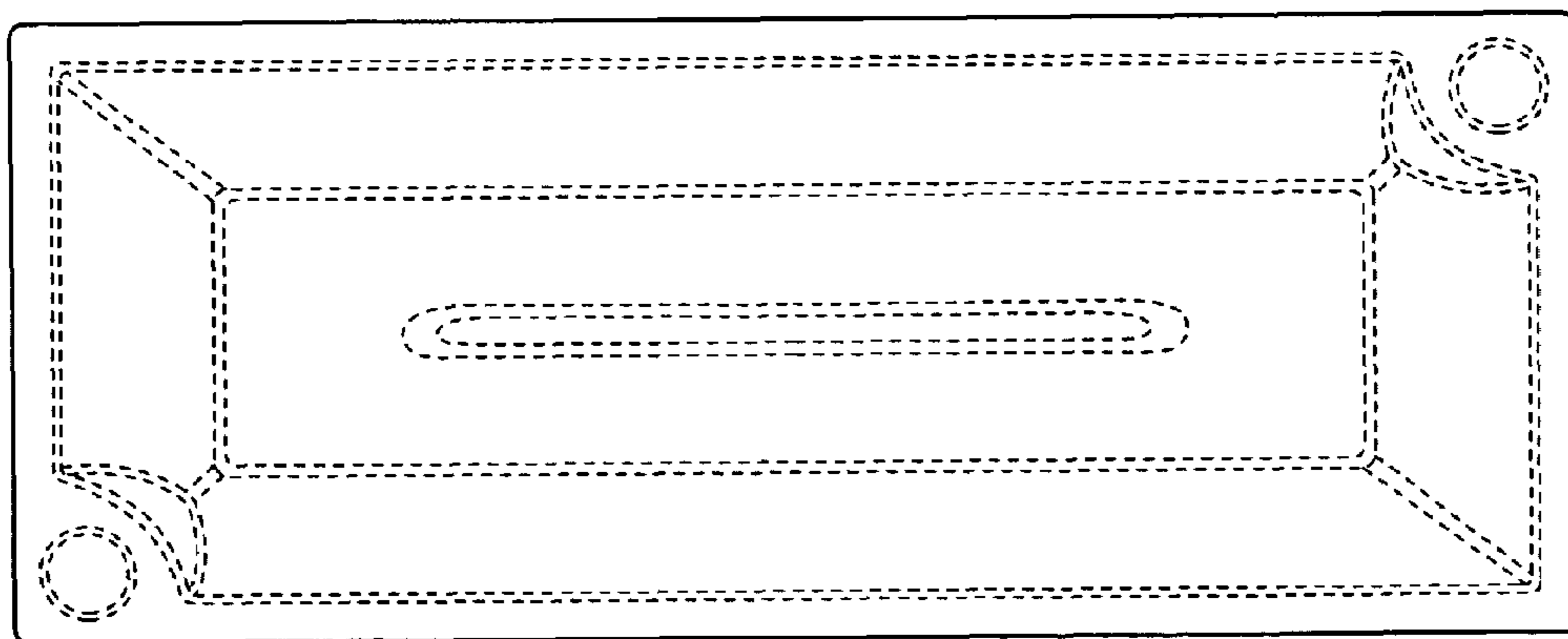


FIG. 10