



US00D612177S

(12) **United States Design Patent**  
**Marietta**

(10) **Patent No.:** **US D612,177 S**  
(45) **Date of Patent:** **\*\* Mar. 23, 2010**

(54) **MULTIMEDIA FURNITURE**

(75) Inventor: **Anna Martina Marietta**, Seattle, WA  
(US)

(73) Assignee: **Slam Brands, Inc.**, Redmond, WA (US)

(\*\*) Term: **14 Years**

(21) Appl. No.: **29/333,851**

(22) Filed: **Mar. 16, 2009**

(51) **LOC (9) Cl.** ..... **06-06**

(52) **U.S. Cl.** ..... **D6/511**

(58) **Field of Classification Search** ..... D6/460,  
D6/461, 468, 432-448, 470-472, 474, 477,  
D6/478, 479, 484, 491, 495, 509, 511; 312/7.2,  
312/9.1, 114, 204, 237, 257.1, 278, 279;  
108/59, 91, 92, 96; 211/40, 41.12, 42, 49.1,  
211/50, 71.01, 85.2, 90.04, 134, 153, 187,  
211/190, 119.003; D14/129

See application file for complete search history.

(56) **References Cited**

**U.S. PATENT DOCUMENTS**

2,496,221	A	*	1/1950	Koch	.....	312/204
D306,539	S	*	3/1990	Mergenov	.....	D6/477
D423,251	S	*	4/2000	Black	.....	D6/441
D450,479	S	*	11/2001	O'Hare et al.	.....	D6/441
D460,877	S	*	7/2002	Waisbrod et al.	.....	D6/441
D482,216	S	*	11/2003	Weaver	.....	D6/484
D488,639	S	*	4/2004	Domack et al.	.....	D6/441
D492,512	S	*	7/2004	Domack	.....	D6/477
D507,433	S	*	7/2005	Portnoy	.....	D6/477

D508,800	S	*	8/2005	Sexton	.....	D6/477
D519,757	S	*	5/2006	Portnoy	.....	D6/479
D549,489	S	*	8/2007	Kreiss	.....	D6/479
D583,168	S	*	12/2008	Lade	.....	D6/484
D590,638	S	*	4/2009	Lara	.....	D6/479
D607,243	S	*	1/2010	Sugiyama	.....	D6/511

\* cited by examiner

*Primary Examiner*—Mimosa De

(74) *Attorney, Agent, or Firm*—Turocy & Watson, LLP;  
Thomas E. Watson

(57) **CLAIM**

The ornamental design for multimedia furniture, as shown and described.

**DESCRIPTION**

FIG. 1 is a perspective view of a design for multimedia furniture;

FIG. 2 is the perspective view without environmental elements blocking a view thereof;

FIG. 3 is a top plan view thereof;

FIG. 4 is the top plan view without environmental elements blocking a view thereof;

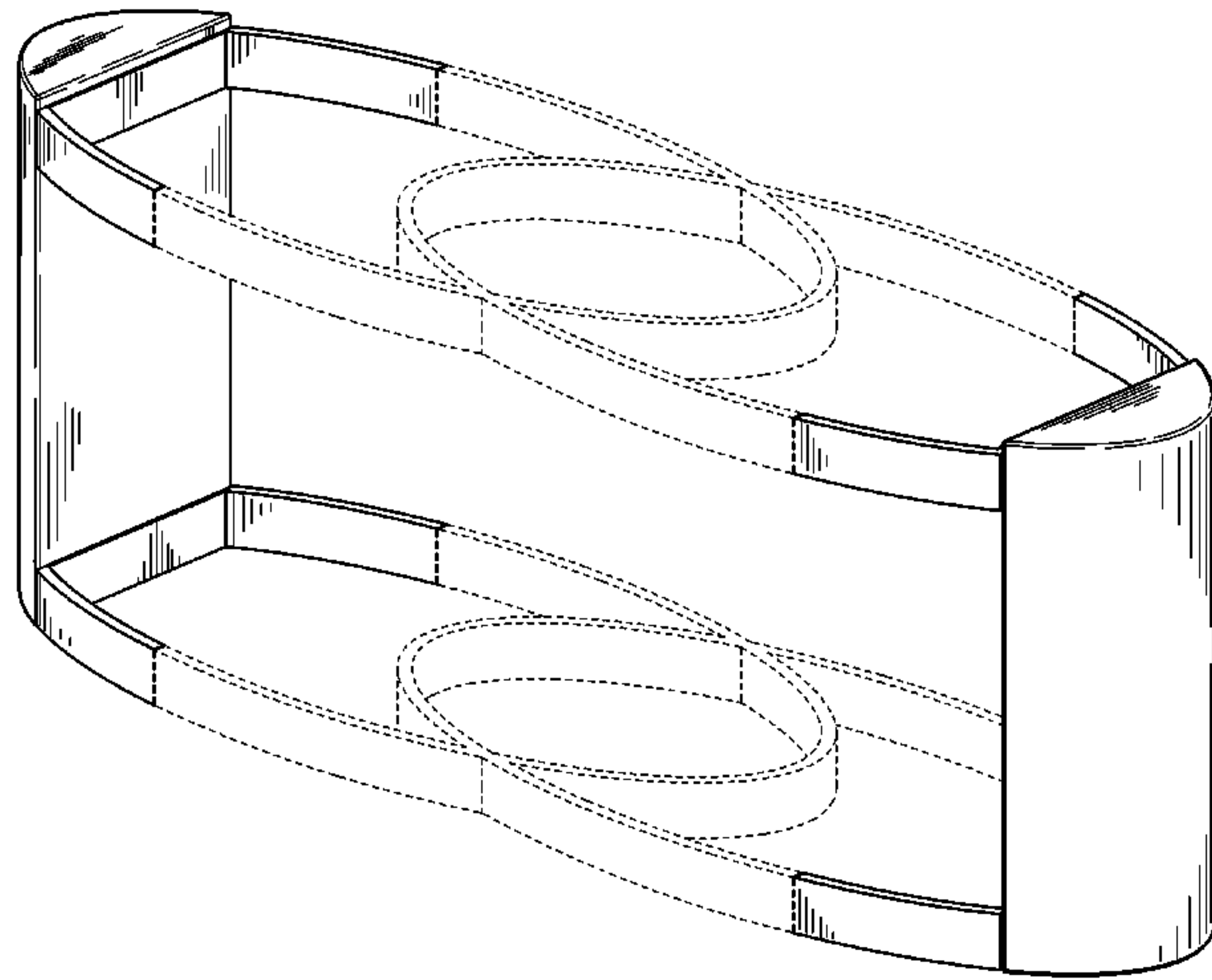
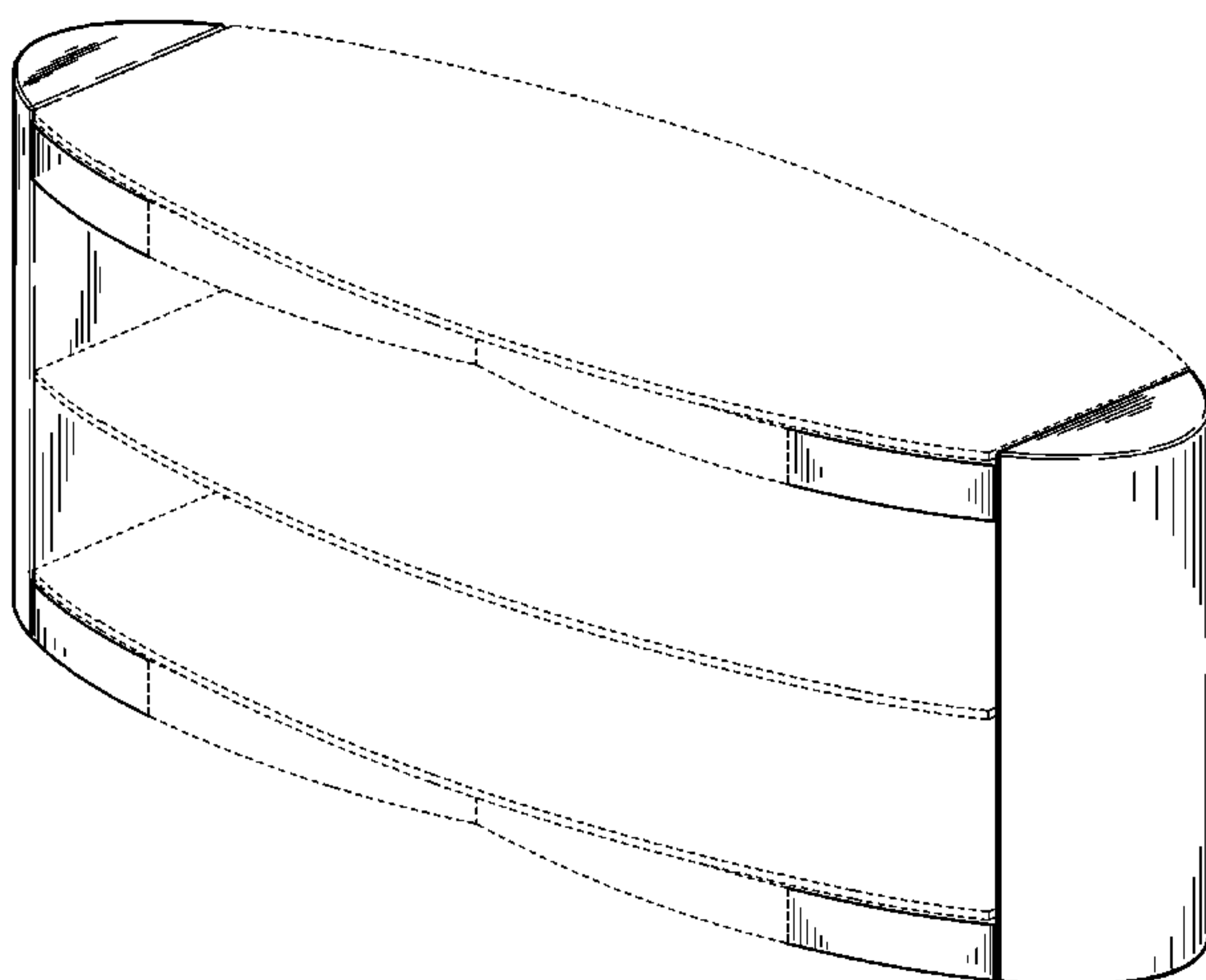
FIG. 5 is a bottom plan view thereof;

FIG. 6 is a front view thereof mirrored on the back side; and,

FIG. 7 is a left side view thereof mirrored on the right side.

The dashed lines in the drawings are shown for environmental purposes and form no part of the claimed design.

**1 Claim, 7 Drawing Sheets**



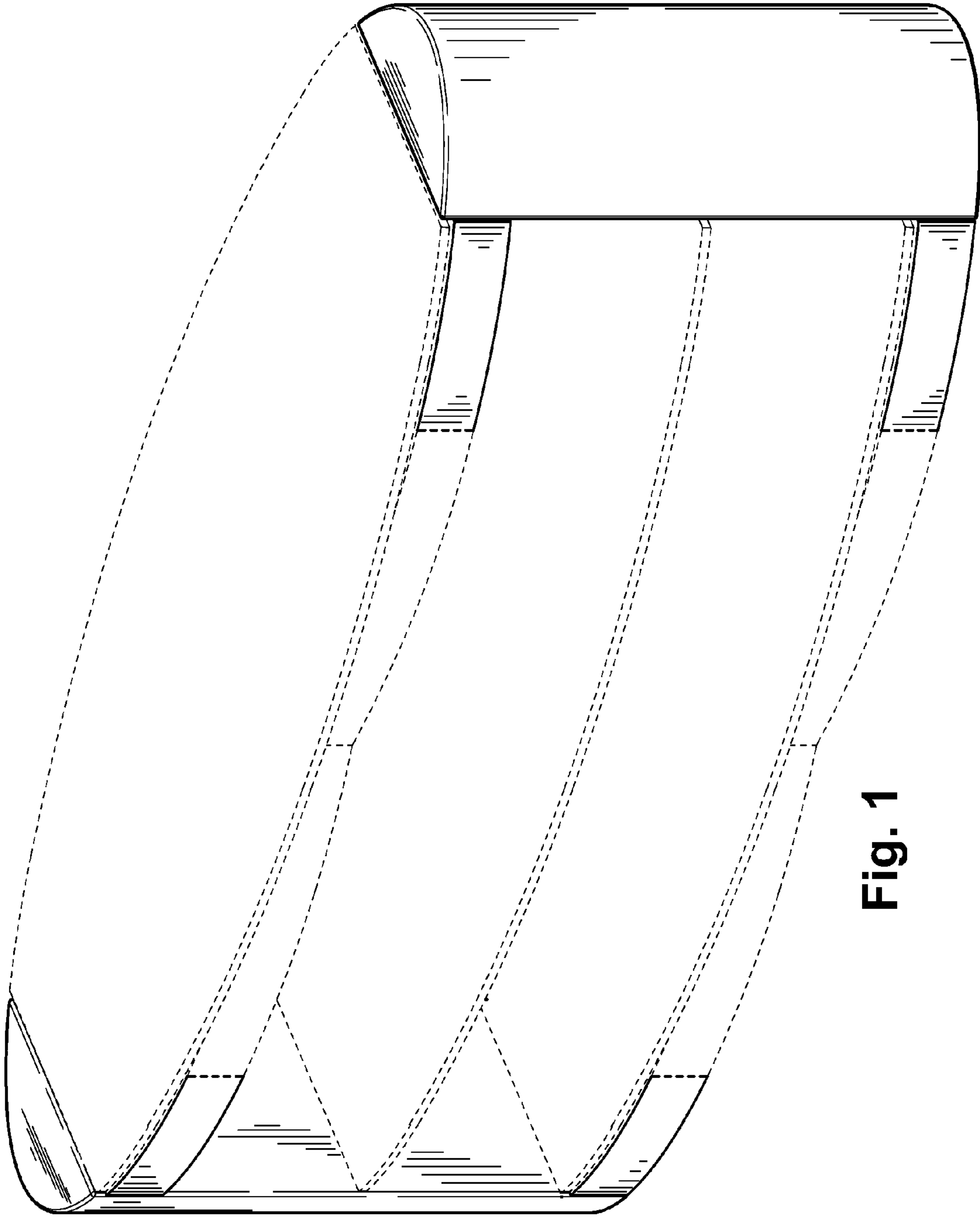


Fig. 1

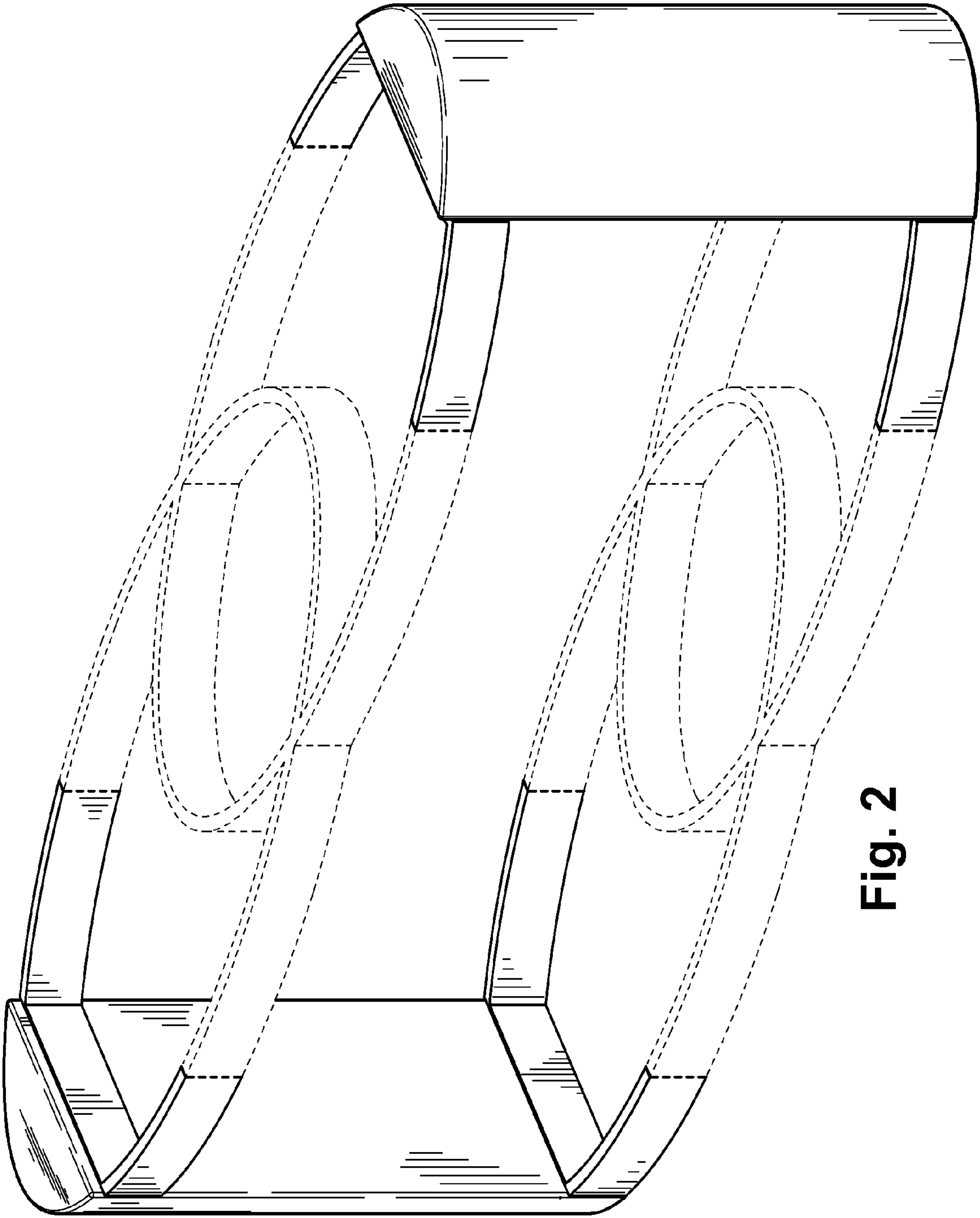


Fig. 2

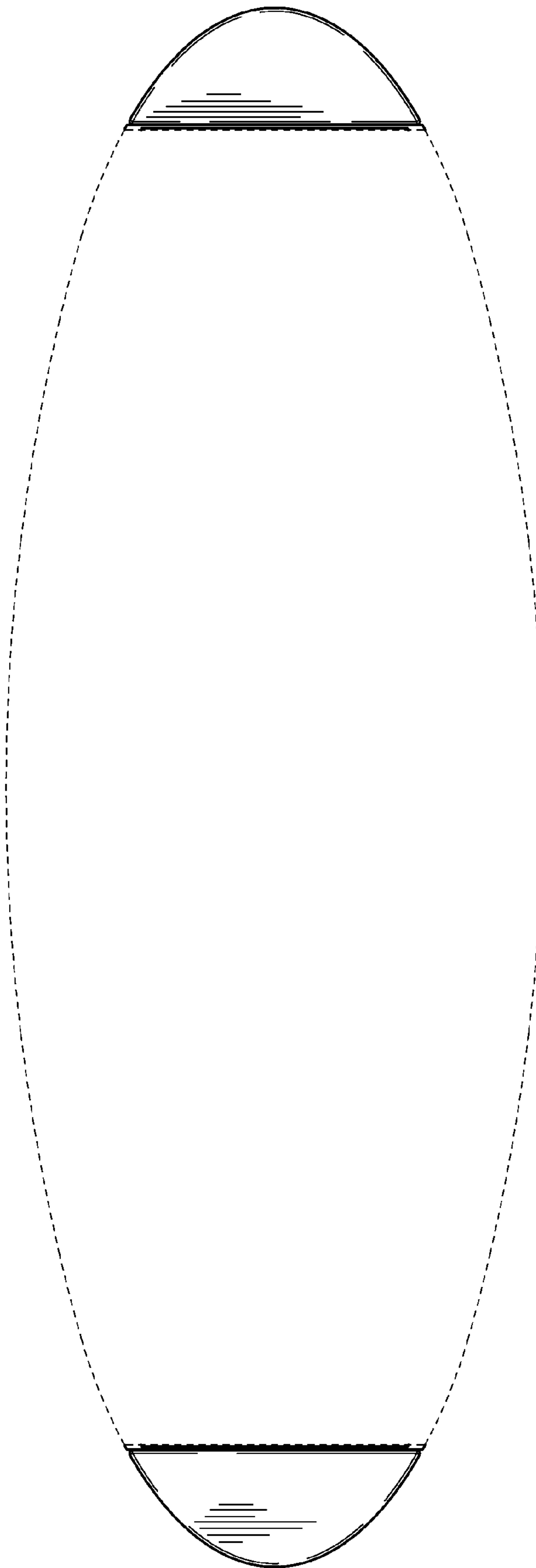


Fig. 3

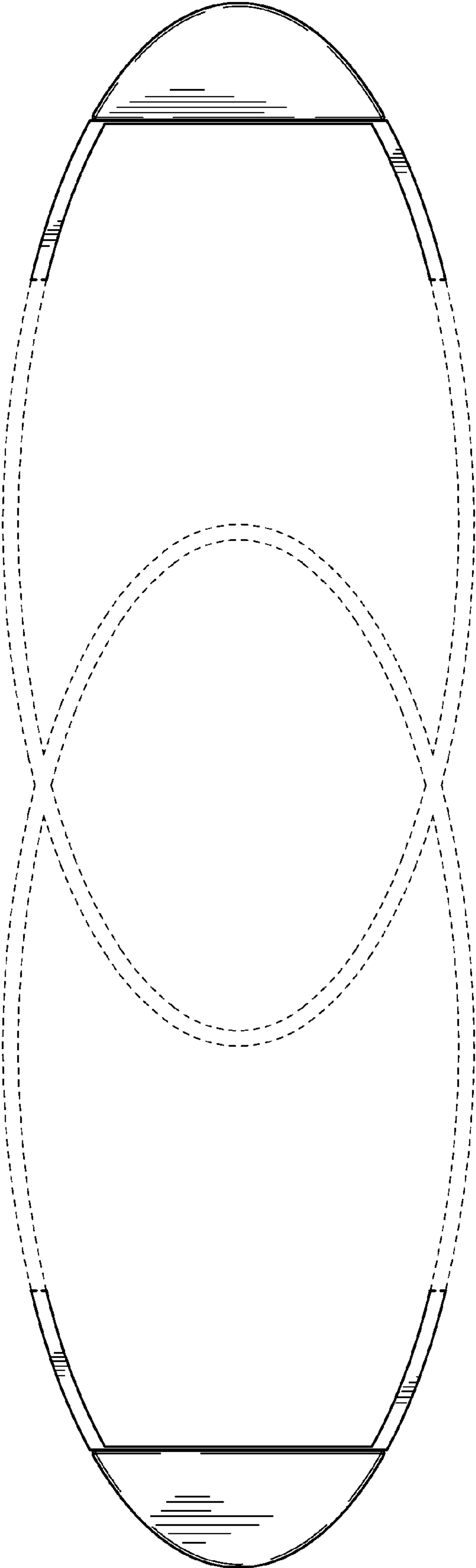


Fig. 4

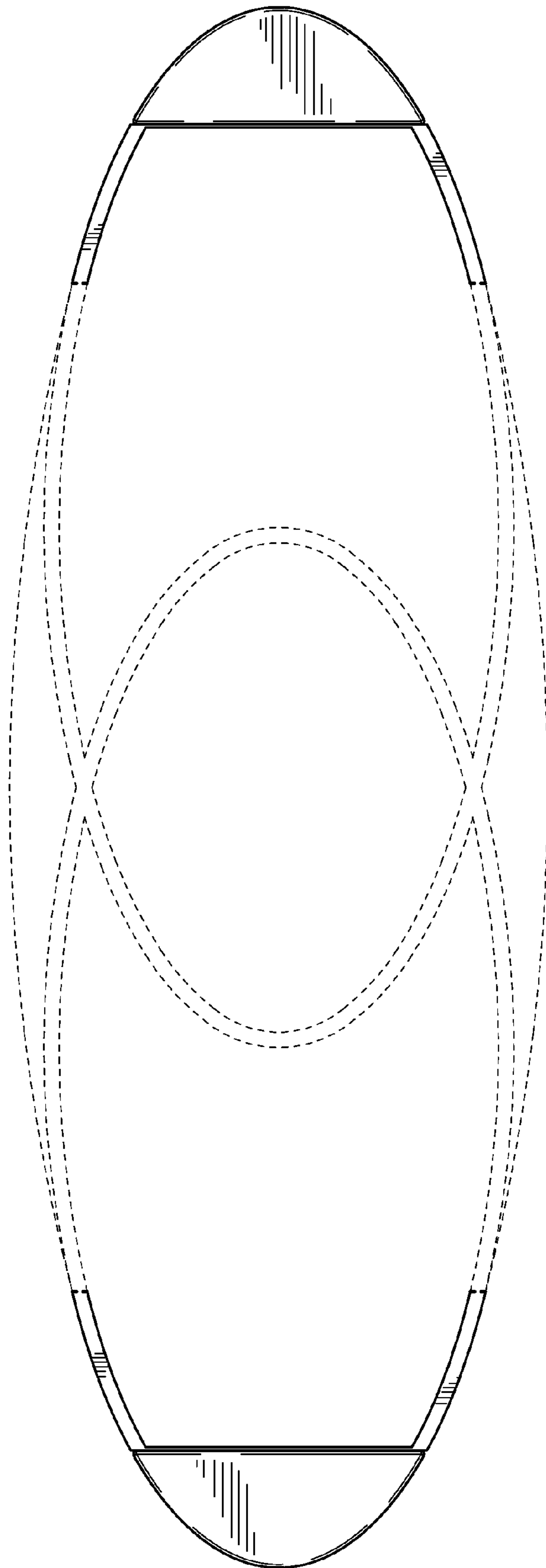


Fig. 5

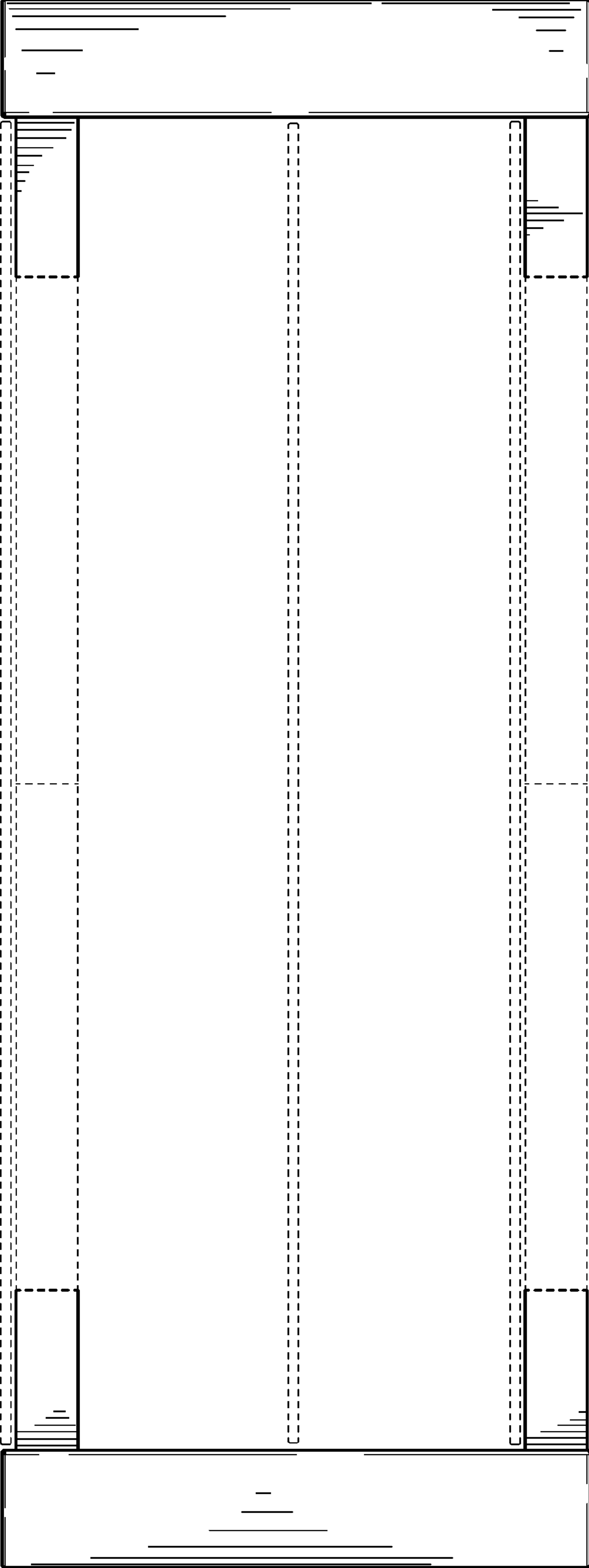
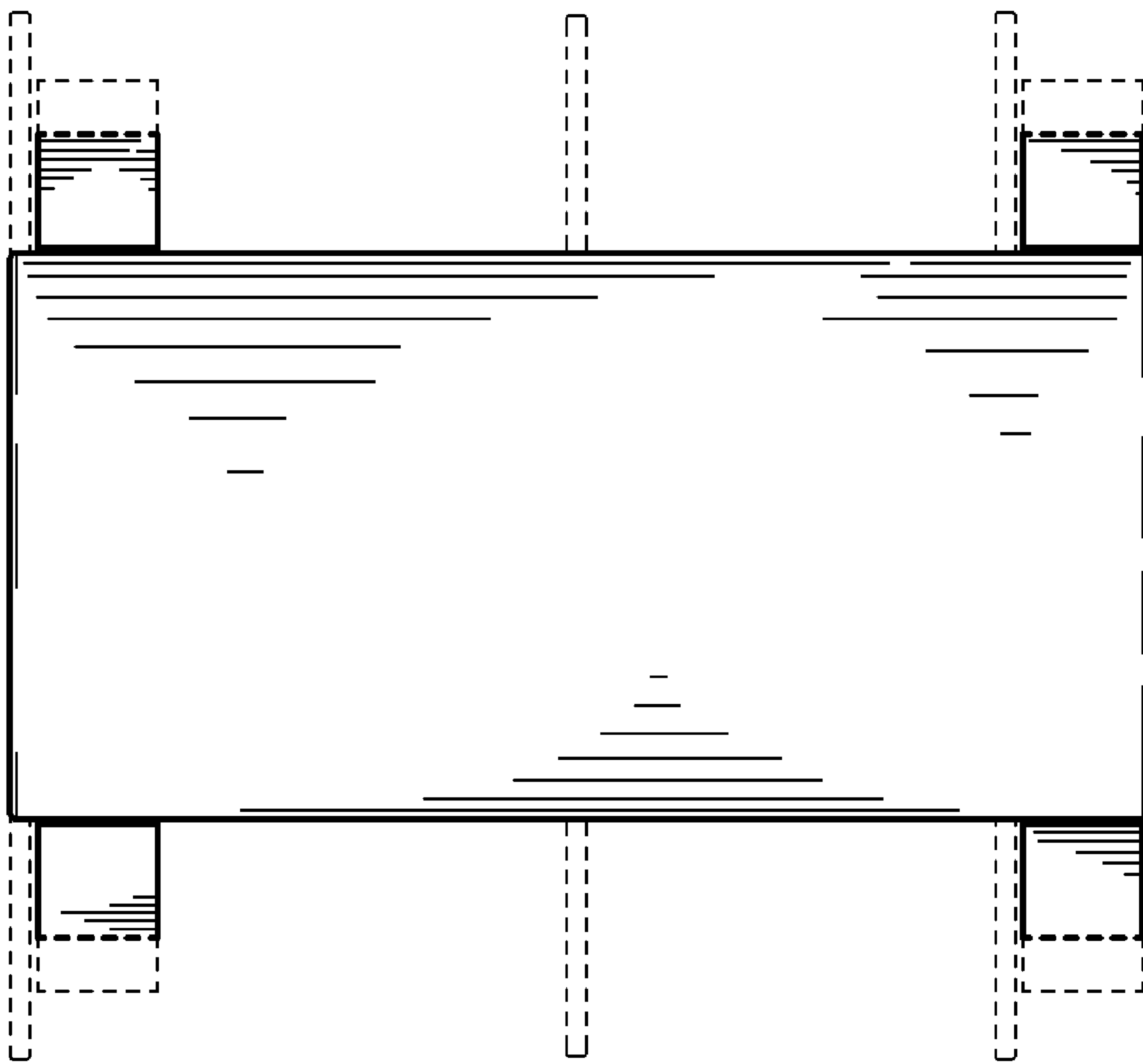


Fig. 6



**Fig. 7**