



US00D612176S

(12) **United States Design Patent**  
**Knox et al.**

(10) **Patent No.:** **US D612,176 S**  
(45) **Date of Patent:** **\*\* Mar. 23, 2010**

(54) **BED HEADBOARD/FOOTBOARD**  
(76) Inventors: **Amy I. Knox**, 2306 Crowns La., Moody, AL (US) 35004; **Stewart R. Knox**, 2306 Crowns La., Moody, AL (US) 35004

6,578,214 B2 6/2003 Peftoulidis  
D485,696 S 1/2004 Risdon  
D505,028 S 5/2005 Key  
D572,936 S 7/2008 Lester, Sr.  
D587,920 S 3/2009 Lester, Sr.  
D589,727 S 4/2009 Jokisch

(\*\*) Term: **14 Years**

\* cited by examiner

(21) Appl. No.: **29/336,728**

*Primary Examiner*—Janice E Seeger

(22) Filed: **May 7, 2009**

(74) *Attorney, Agent, or Firm*—QuickPatents, Inc.; Kevin Prince

(51) **LOC (9) Cl.** ..... **06-06**

(57) **CLAIM**

(52) **U.S. Cl.** ..... **D6/506**

(58) **Field of Classification Search** ..... D6/382–384,  
D6/388, 393–395, 505–508; 5/907, 53.1,  
5/279.1, 280, 281

We claim the ornamental design for a bed headboard/footboard, as shown and described.

See application file for complete search history.

**DESCRIPTION**

(56) **References Cited**

U.S. PATENT DOCUMENTS

D111,657 S	10/1938	Little	
D177,473 S	* 4/1956	Kenney	D6/508
D178,668 S	9/1956	Jensen	
D187,458 S	* 3/1960	Otto	D6/508
D191,657 S	* 10/1961	Swarts	D6/508
D247,727 S	4/1978	Mitchell	
D248,262 S	6/1978	Robichaud	
D252,608 S	8/1979	Carter	
D344,863 S	3/1994	Winkler	
D384,830 S	10/1997	Daniel	
D400,026 S	10/1998	Bender	
D404,215 S	1/1999	Hohl	
D411,696 S	6/1999	Sorrell	
D412,071 S	7/1999	Brandis, Jr.	
D468,929 S	1/2003	Jones	
D471,375 S	3/2003	Nichols, III	
D472,727 S	4/2003	Graning	

FIG. 1 is a perspective view of a bed headboard/footboard, showing our new design;

FIG. 2 is a front elevational view thereof;

FIG. 3 is a rear elevational view thereof;

FIG. 4 is a left-side elevational view thereof, the right-side elevational view being a mirror image thereof;

FIG. 5 is a top plan view thereof;

FIG. 6 is a bottom plan view thereof;

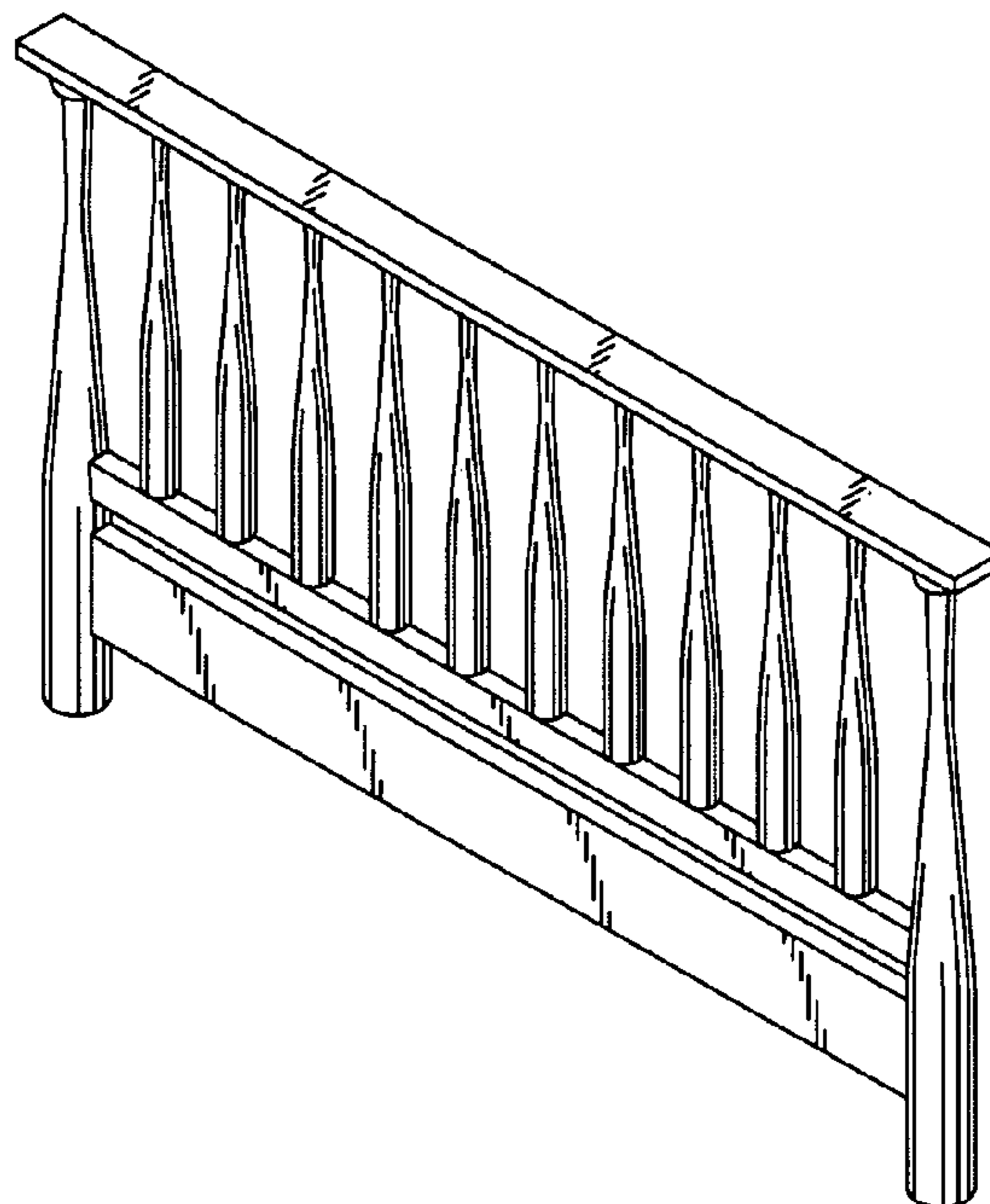
FIG. 7 is a perspective view of an alternate embodiment thereof;

FIG. 8 is a front elevational view thereof;

FIG. 9 is a perspective view of another alternate embodiment thereof; and,

FIG. 10 is a front elevational view thereof.

**1 Claim, 4 Drawing Sheets**



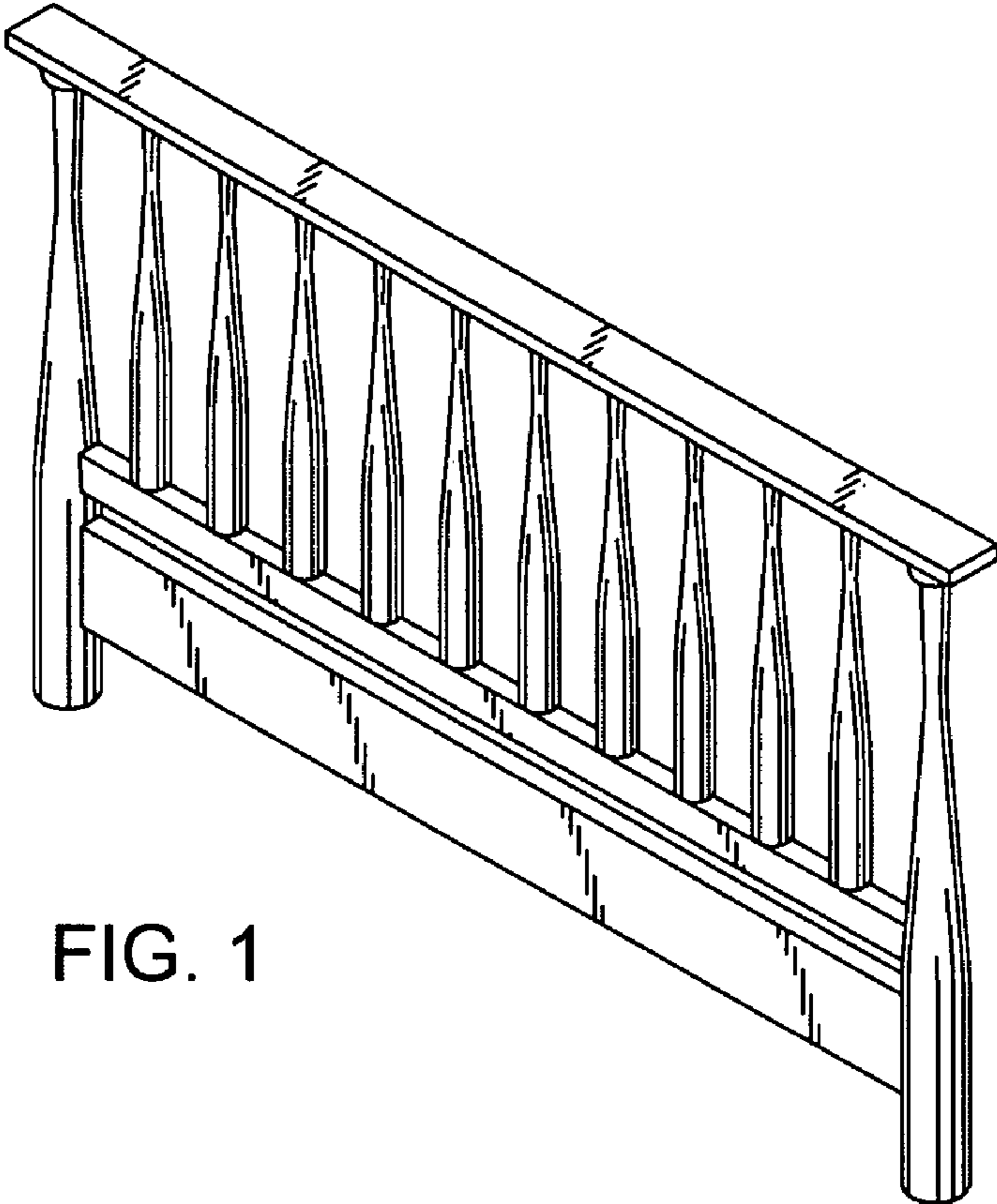


FIG. 1

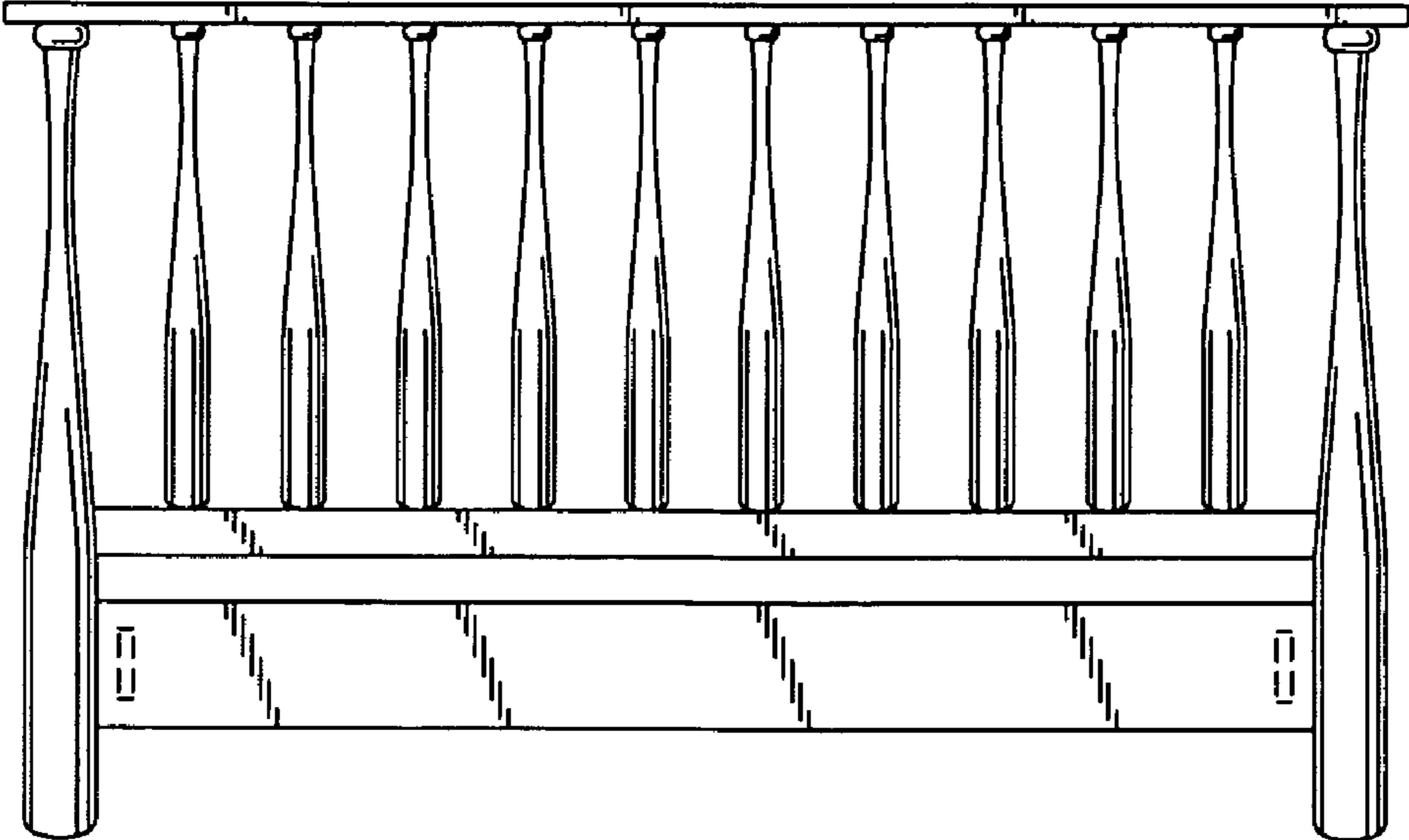


FIG. 2

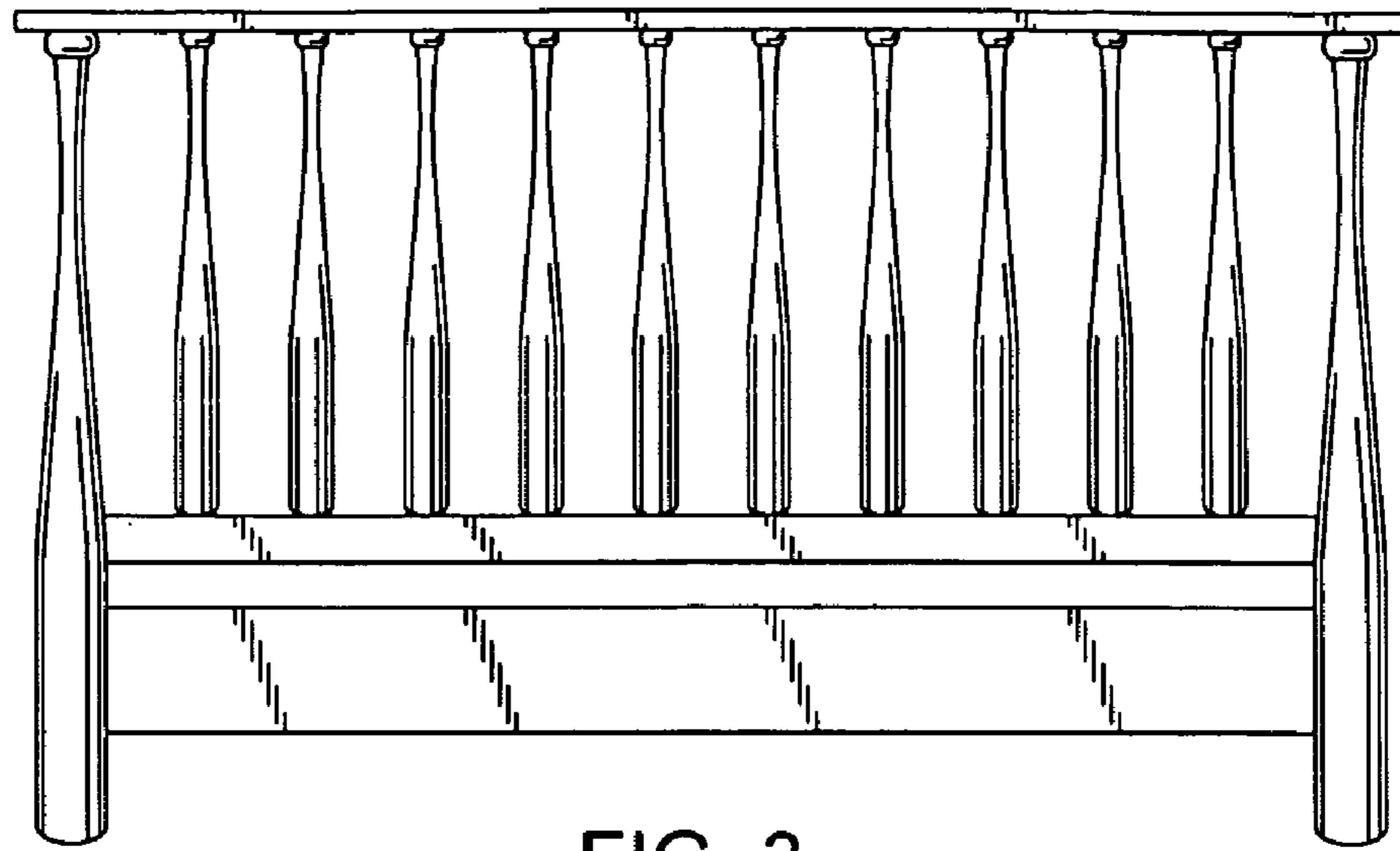


FIG. 3



FIG. 4

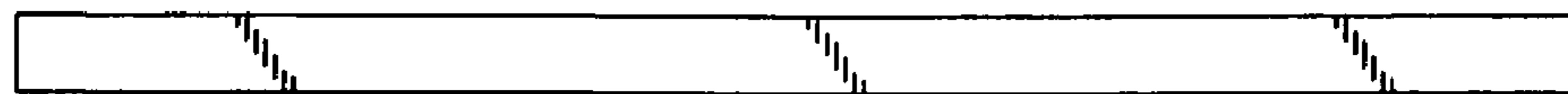


FIG. 5

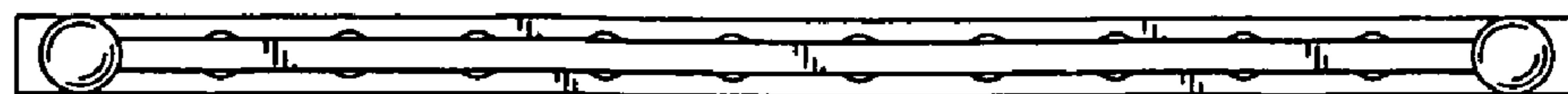


FIG. 6

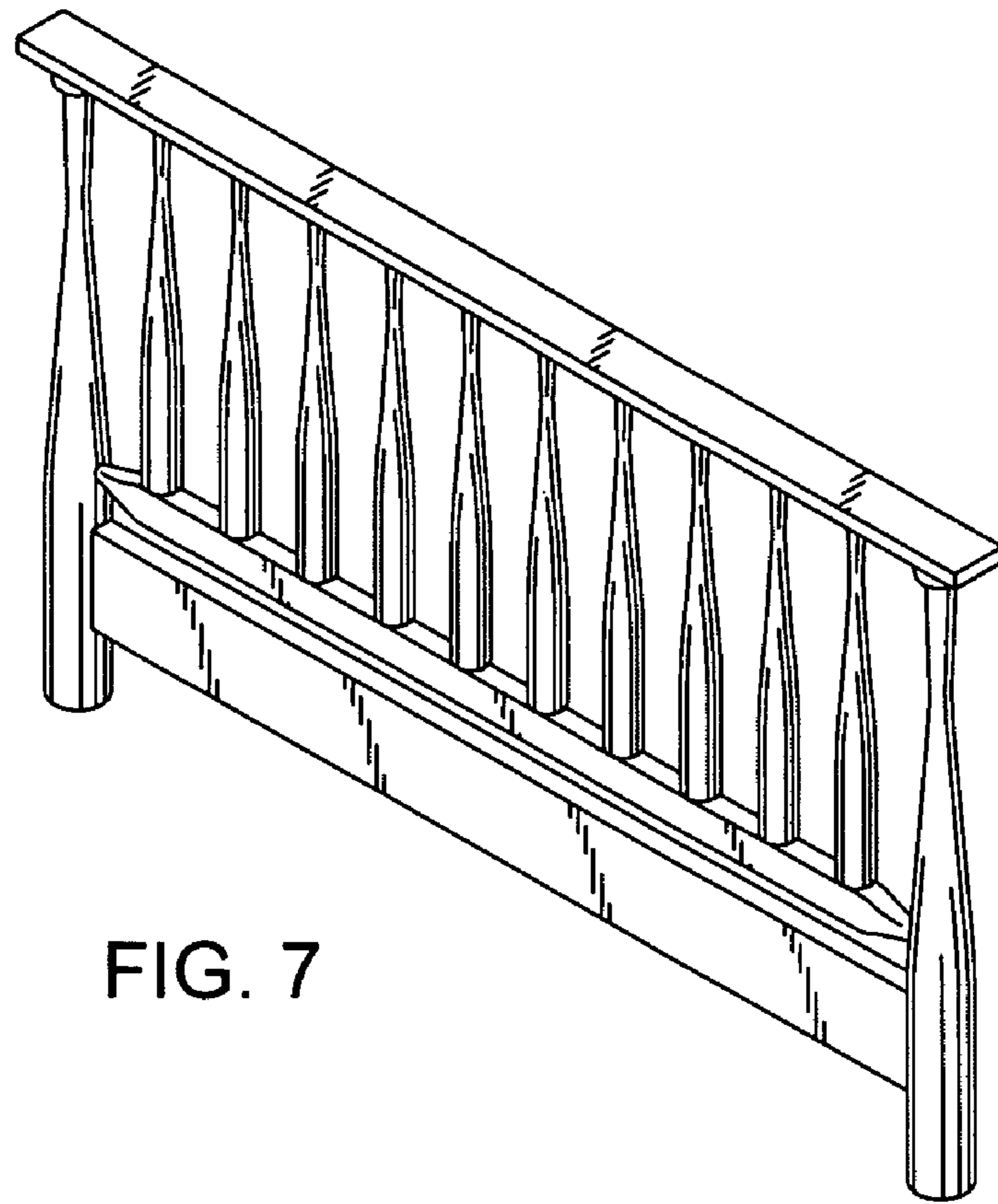


FIG. 7

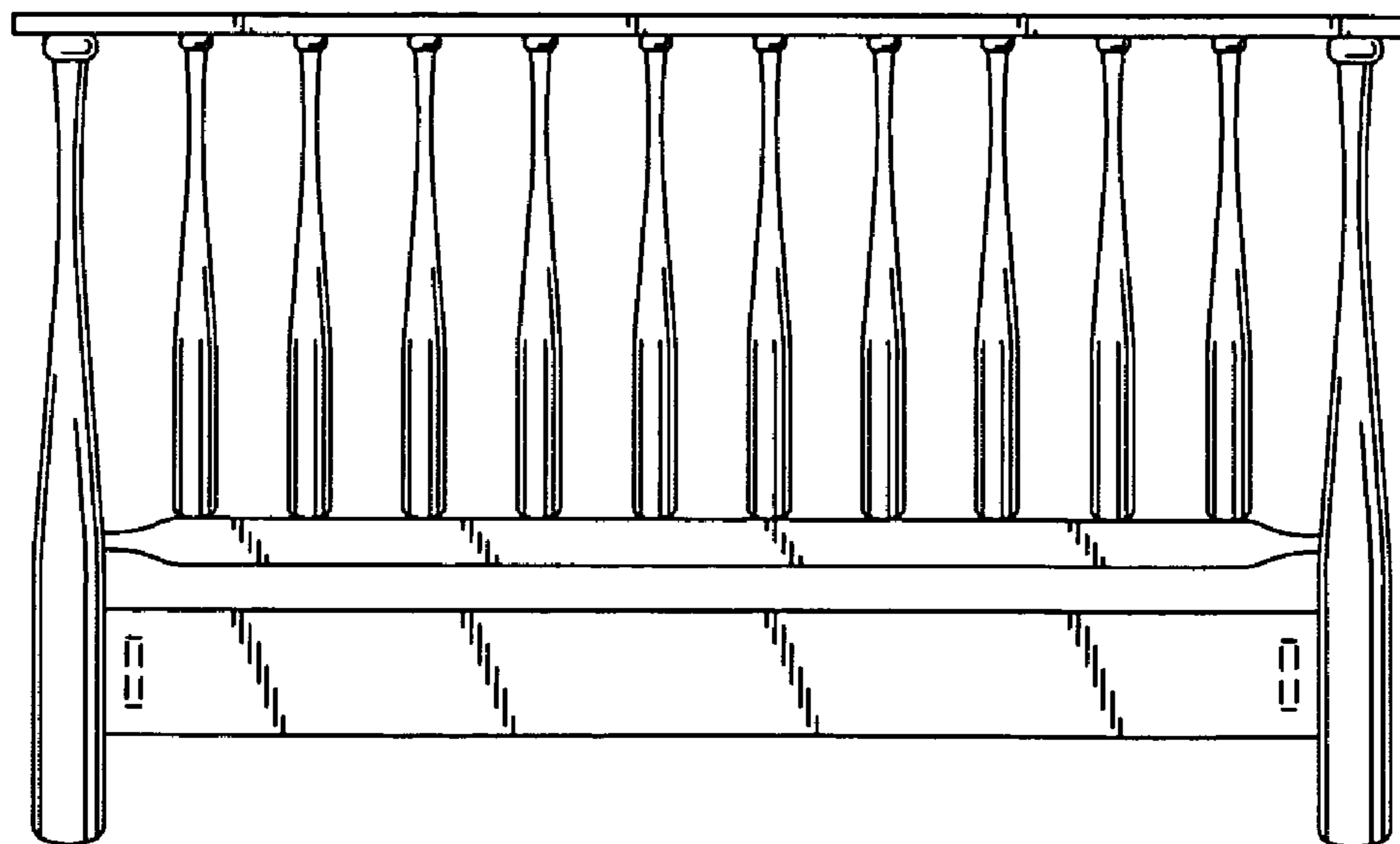


FIG. 8

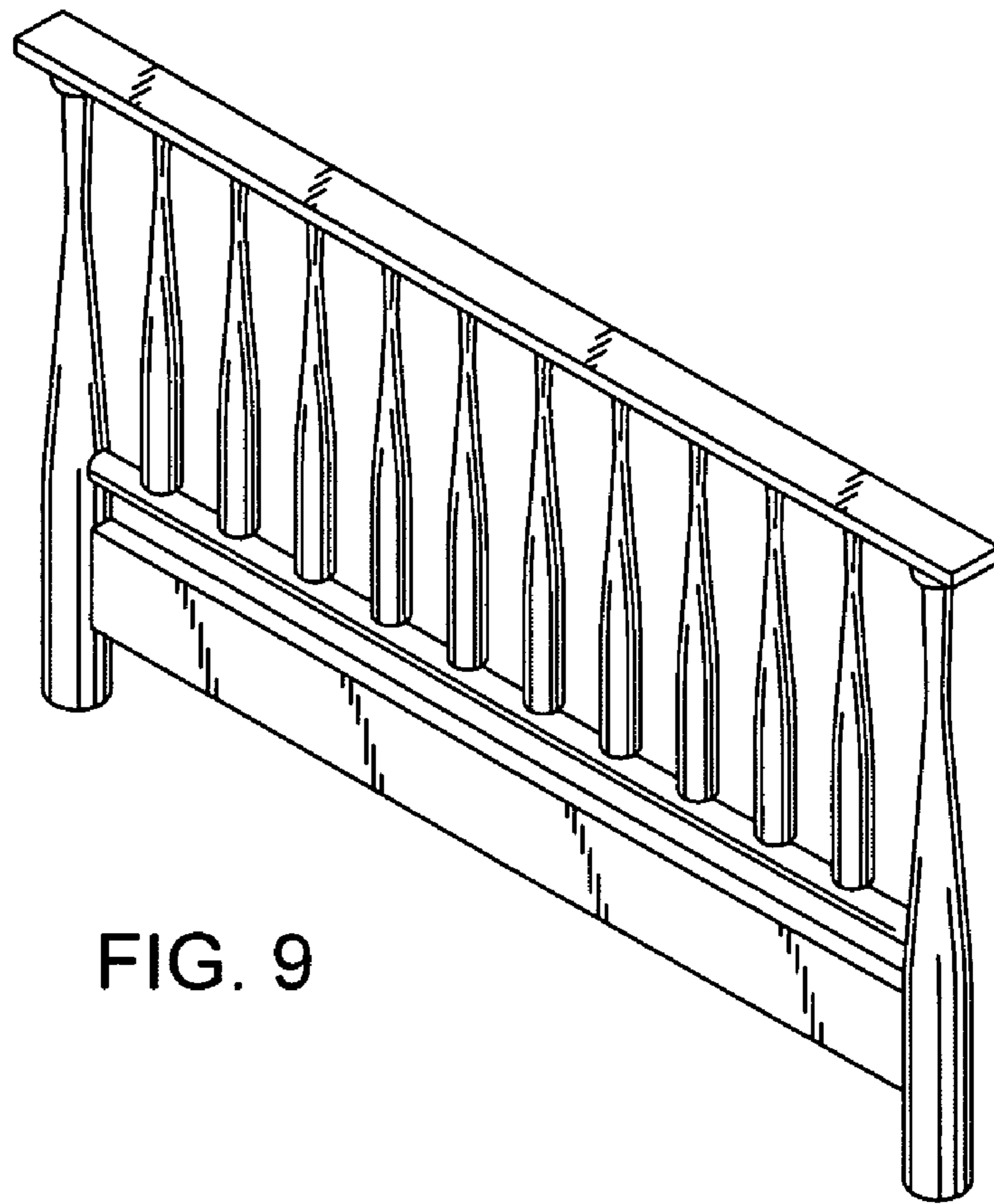


FIG. 9

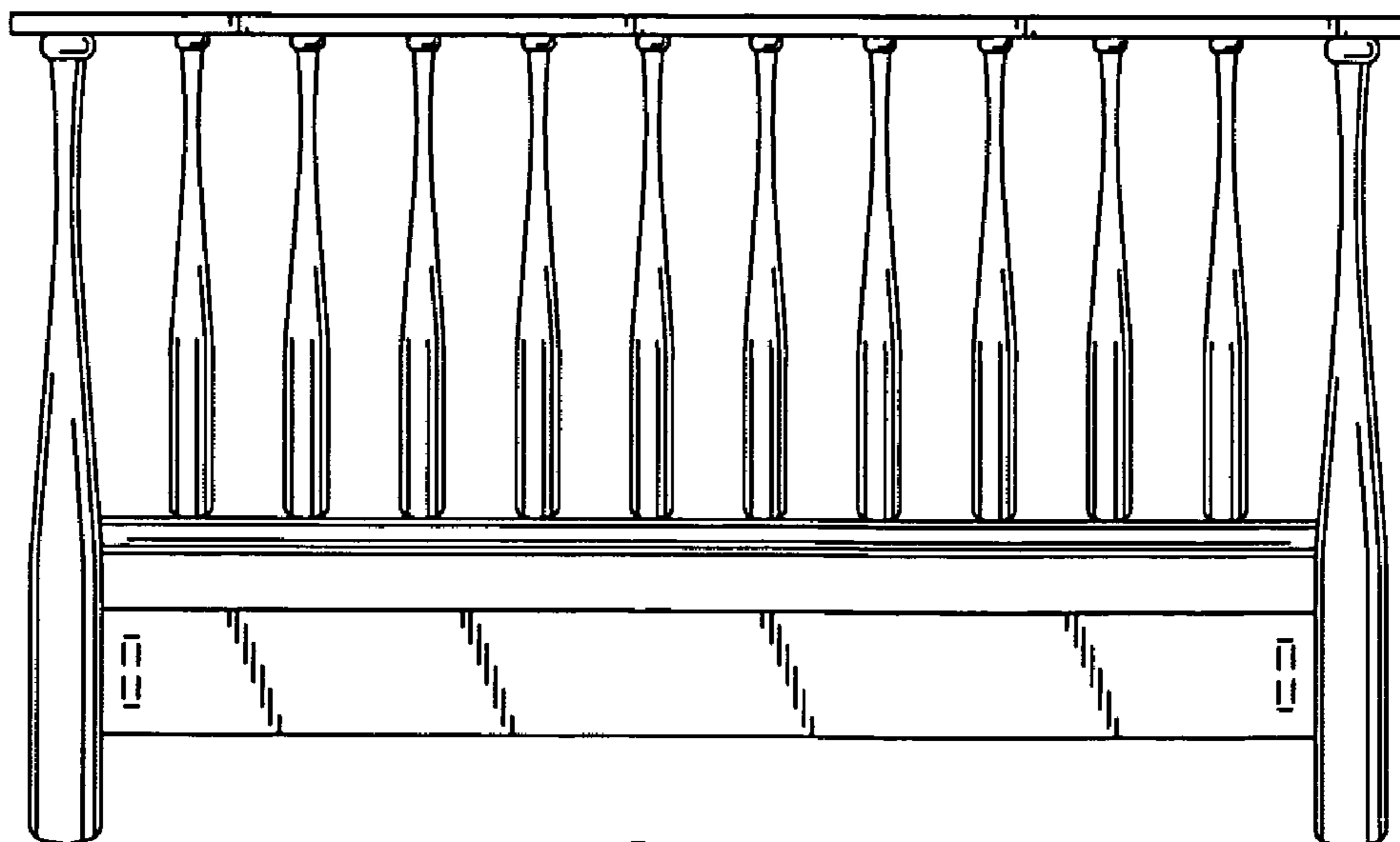


FIG. 10