



US00D612172S

(12) **United States Design Patent**  
**Portnoy**

(10) **Patent No.:** **US D612,172 S**  
(45) **Date of Patent:** **\*\* Mar. 23, 2010**

(54) **AUDIO VIDEO SHELVING UNIT**  
(75) Inventor: **Ben Portnoy**, Morton, PA (US)  
(73) Assignee: **Bell'O International Corp.**,  
Morganville, NJ (US)

D516,838 S 3/2006 Portnoy  
D516,840 S 3/2006 deCarolis  
D516,847 S 3/2006 Stenhouse et al.

(\*\*) Term: **14 Years**

(Continued)

(21) Appl. No.: **29/342,059**

(22) Filed: **Aug. 18, 2009**

(51) **LOC (9) Cl.** ..... **06-04**

(52) **U.S. Cl.** ..... **D6/477**

(58) **Field of Classification Search** ..... D6/470,  
D6/471, 474, 477-479, 460-461, 468; 108/59,  
108/91, 92, 96; 211/40, 41.12, 42, 49.1,  
211/50, 85.2, 90.04, 187, 190; 206/307  
See application file for complete search history.

**OTHER PUBLICATIONS**

Bell'O's 2005-2006 Product Catalog.

*Primary Examiner*—Elizabeth A Albert  
*Assistant Examiner*—Kelley A Donnelly  
(74) *Attorney, Agent, or Firm*—Lerner, David, Littenberg,  
Krumholz & Mentlik, LLP

(56) **References Cited**

**U.S. PATENT DOCUMENTS**

- D454,731 S 3/2002 Niitsu et al.
- D458,053 S 6/2002 Luong
- D472,073 S 3/2003 de Carolis
- D472,074 S 3/2003 de Carolis
- D472,075 S 3/2003 de Carolis
- D480,237 S \* 10/2003 de Carolis ..... D6/474
- D489,548 S 5/2004 Malizia et al.
- D491,748 S 6/2004 deCarolis
- D491,749 S 6/2004 Malizia et al.
- D491,750 S 6/2004 Bertoncini et al.
- D491,753 S 6/2004 deCarolis
- D492,860 S 7/2004 Bertoncini et al.
- D493,982 S 8/2004 deCarolis
- D496,807 S 10/2004 deCarolis
- D497,060 S 10/2004 Chang et al.
- D497,061 S 10/2004 Decarolis
- D505,573 S 5/2005 Malizia
- D506,329 S 6/2005 Sexton
- D507,433 S 7/2005 Portnoy
- D507,900 S 8/2005 Sexton
- D508,172 S 8/2005 Malizia et al.
- D515,337 S 2/2006 deCarolis
- D515,849 S 2/2006 Niu

(57) **CLAIM**

The ornamental design for audio video shelving unit, as shown and described.

**DESCRIPTION**

FIG. 1 is a front perspective view of a first embodiment of the audio video shelving unit;

FIG. 2 is a front elevational view thereof;

FIG. 3 is a rear elevational view thereof;

FIG. 4 is a top plan view thereof;

FIG. 5 is a right side view thereof (the left side being a mirror image of the right side view);

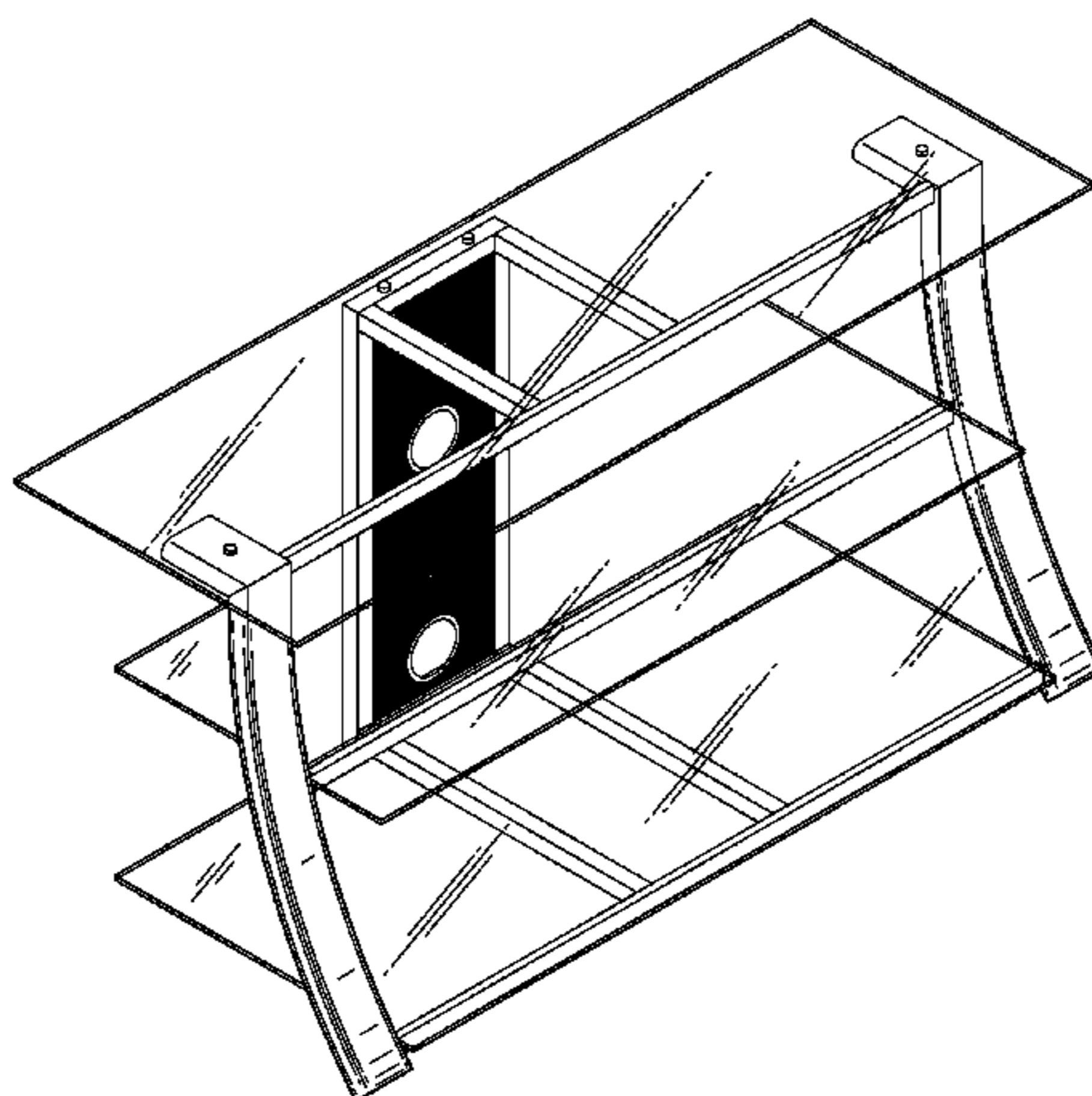
FIG. 6 is a front perspective view of a second embodiment of the audio video shelving unit; and,

FIG. 7 is a top plan view of the embodiment shown in FIG. 6 (all other views of the second embodiment having the same appearance as FIGS. 1-5).

The broken lines showing in FIG. 3 are for environmental purposes only and form no part of the claimed design.

The dark shading on the back support structure of the "audio video shelving unit" is meant to indicate surface texture.

**1 Claim, 7 Drawing Sheets**



# US D612,172 S

Page 2

---

## U.S. PATENT DOCUMENTS

D517,350 S	*	3/2006	Sexton .....	D6/479	D562,593 S	2/2008	Zambelli		
D519,757 S		5/2006	Portnoy		D564,260 S	3/2008	deCarolis		
D524,080 S		7/2006	Stenhouse et al.		D564,261 S	3/2008	Sculler		
D525,052 S	*	7/2006	Malizia .....	D6/474	D564,789 S	3/2008	deCarolis		
D525,054 S		7/2006	Stenhouse et al.		D564,796 S	3/2008	Zambelli		
D527,208 S		8/2006	Malizia et al.		D587,483 S	3/2009	Zambelli		
D535,497 S		1/2007	Portnoy		D587,496 S	3/2009	Weitz		
D537,656 S		3/2007	Stenhouse et al.		D587,497 S	3/2009	Zambelli		
D543,729 S		6/2007	Weatherly		D589,280 S	3/2009	Zambelli		
D549,991 S		9/2007	Stravitz		D590,636 S	*	4/2009	Ou Yang et al. .... D6/477	
D554,393 S		11/2007	Yalif		D590,637 S	*	4/2009	Portnoy .....	D6/477
D555,397 S		11/2007	Yalif		D592,428 S		5/2009	Zambelli	
D559,583 S		1/2008	Zambelli		D594,248 S		6/2009	Zambelli	
D559,584 S		1/2008	Zambelli		D595,978 S		7/2009	Portnoy et al.	
D560,077 S		1/2008	Zambelli		D599,584 S		9/2009	Zambelli	

\* cited by examiner

FIG. 1

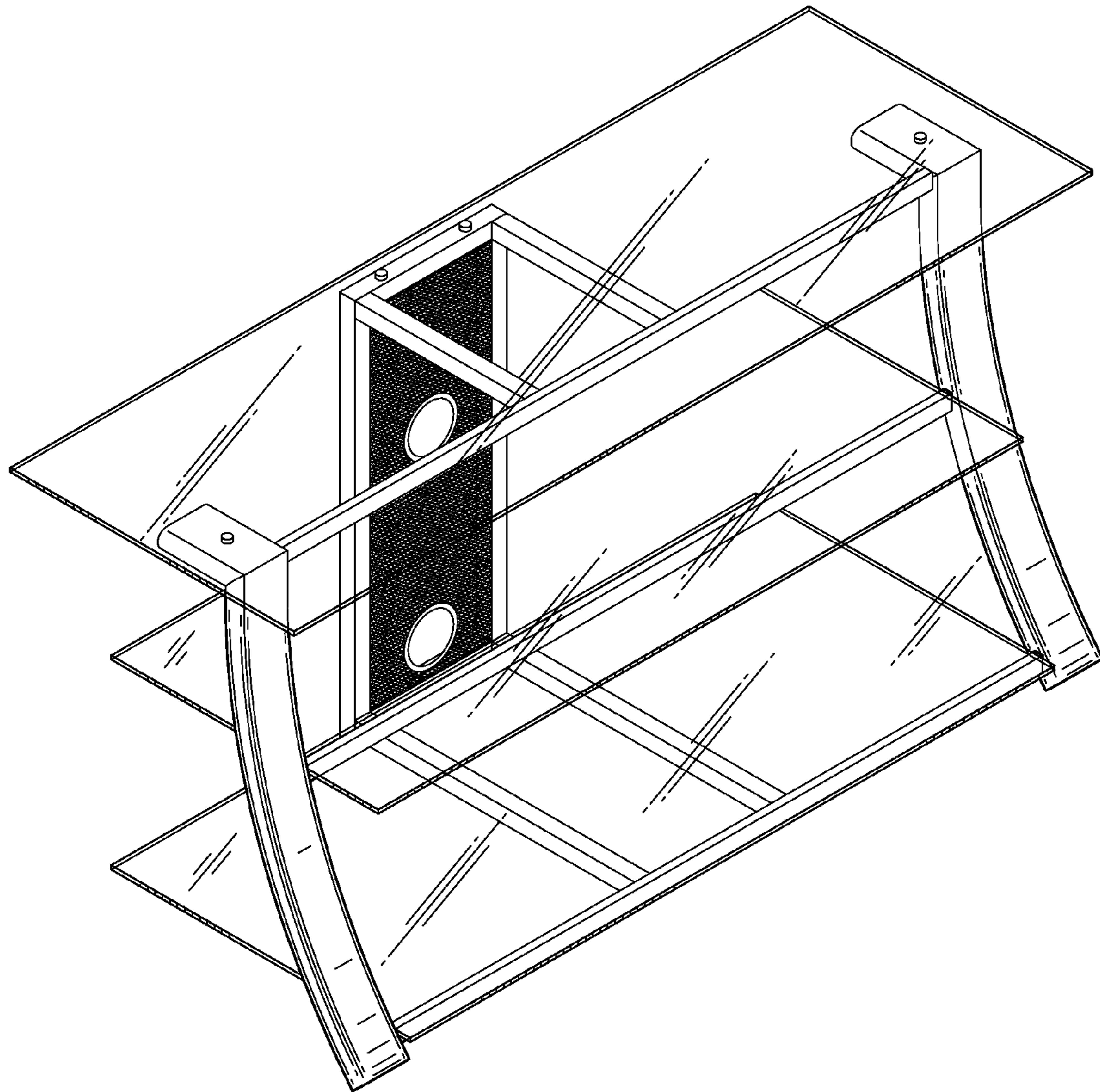
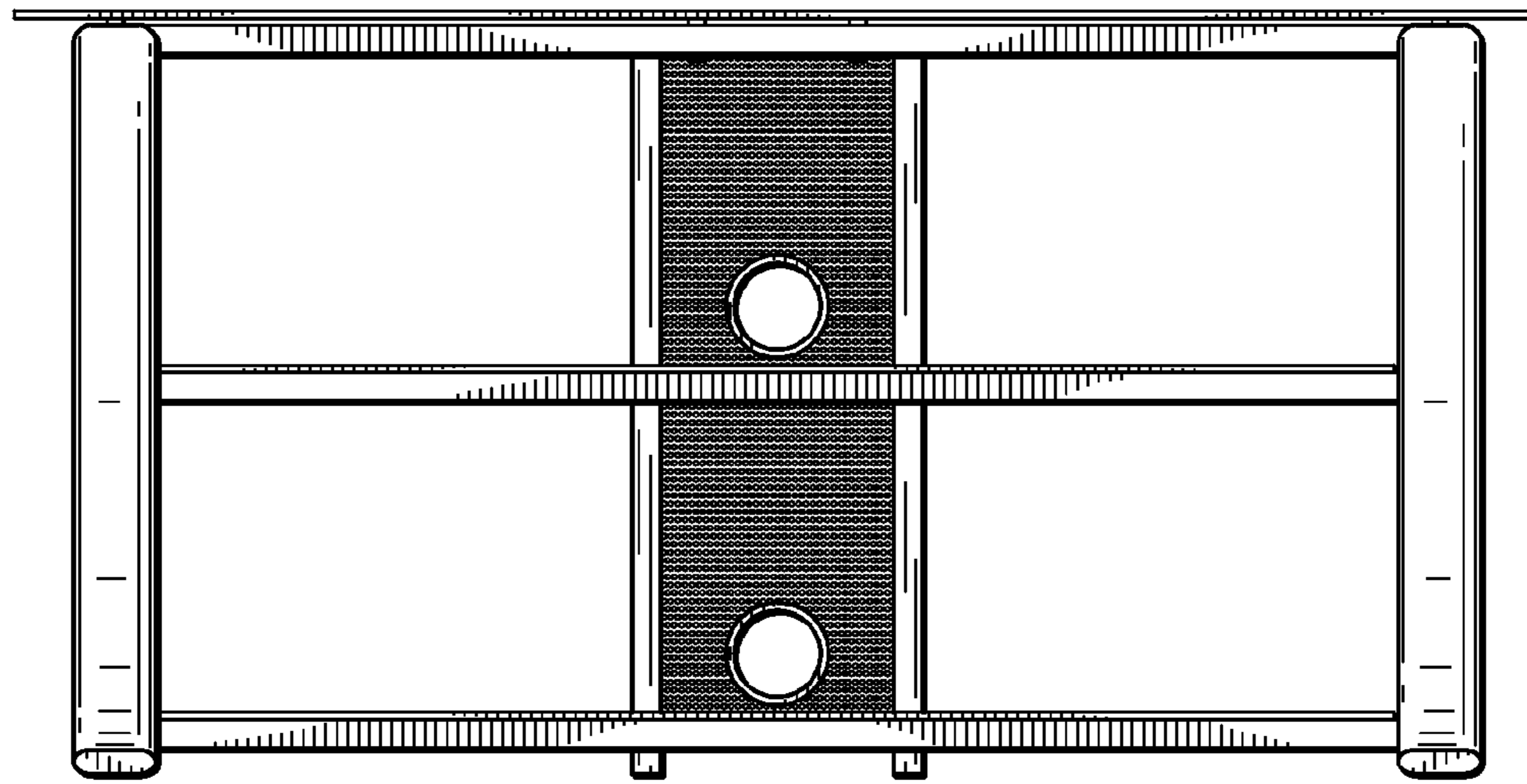


FIG. 2





*FIG. 3*

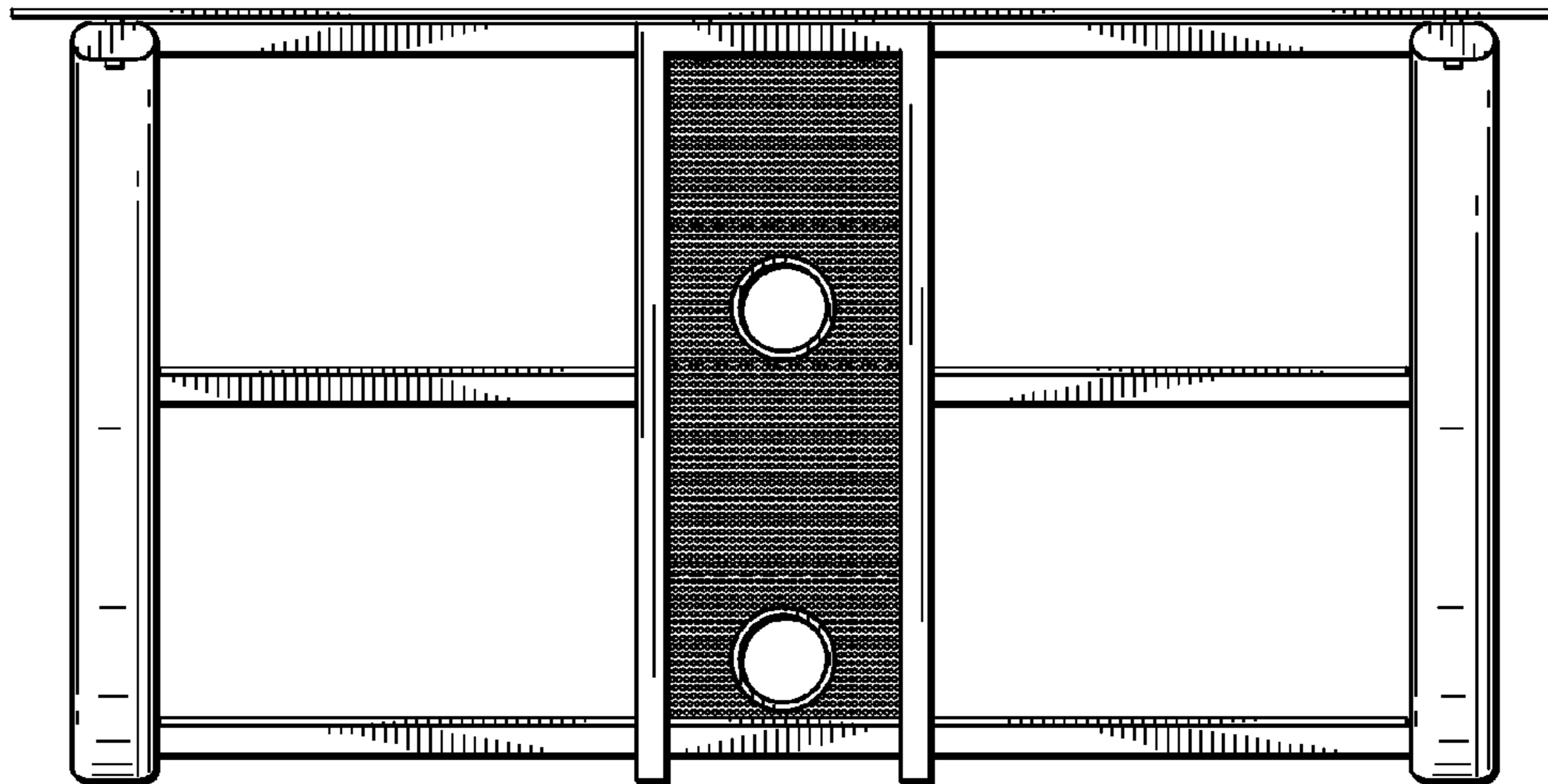
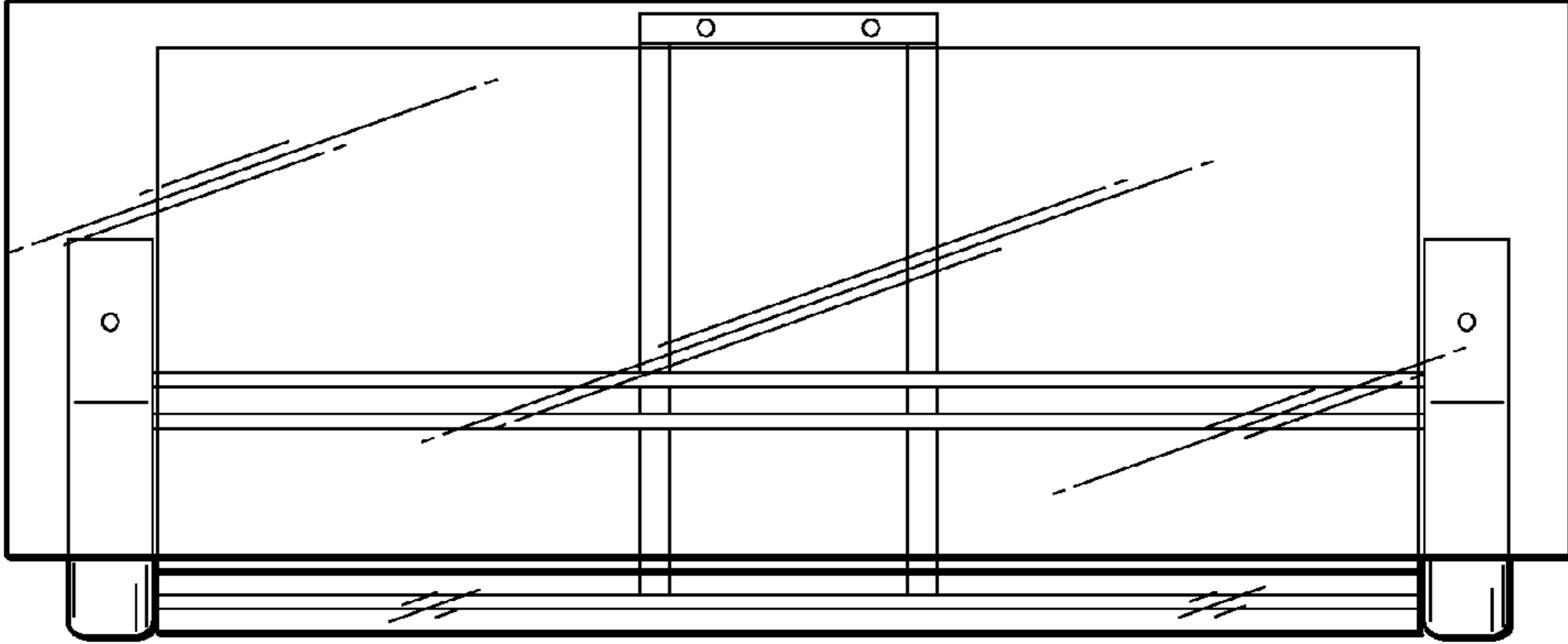


FIG. 4



*FIG. 5*

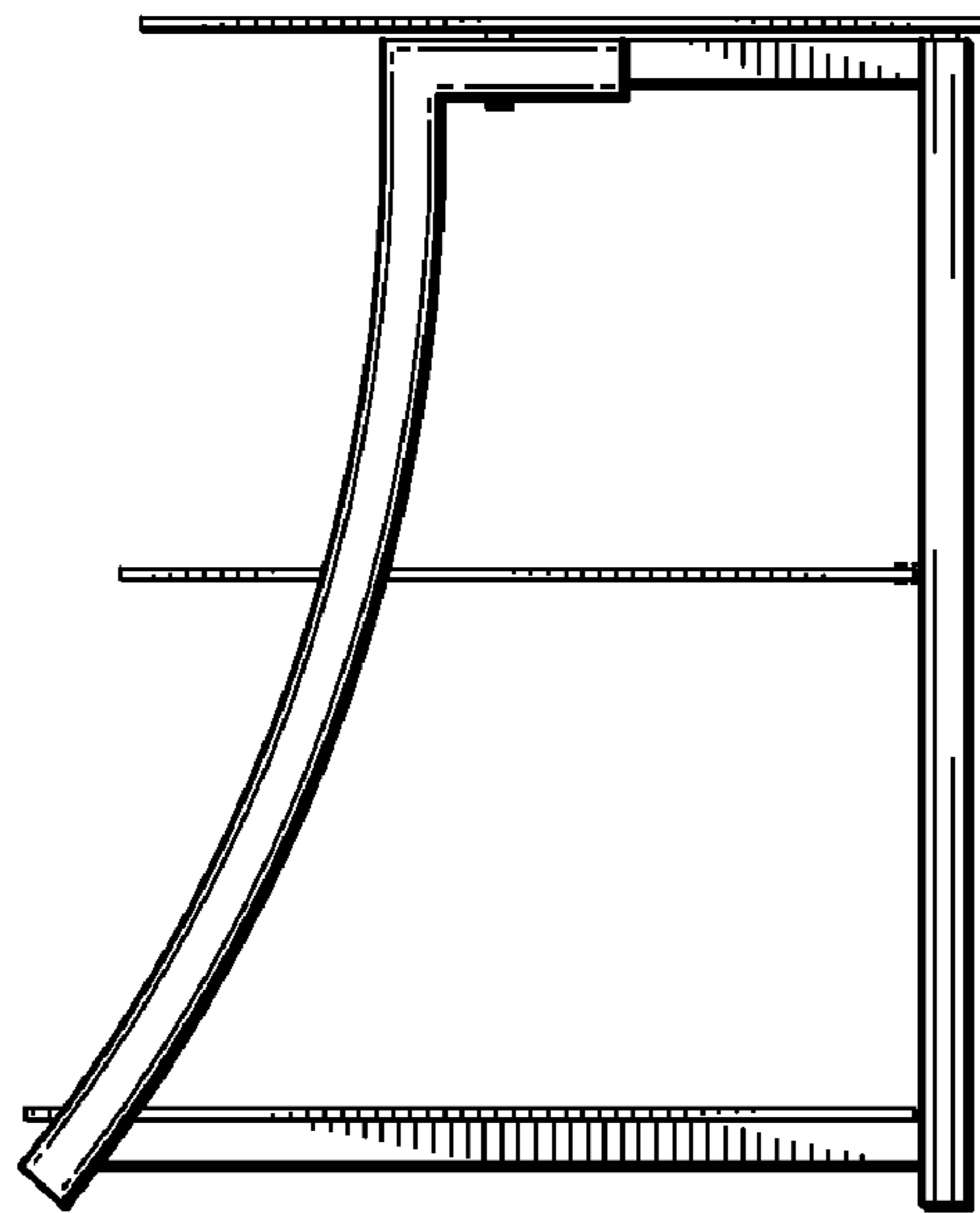
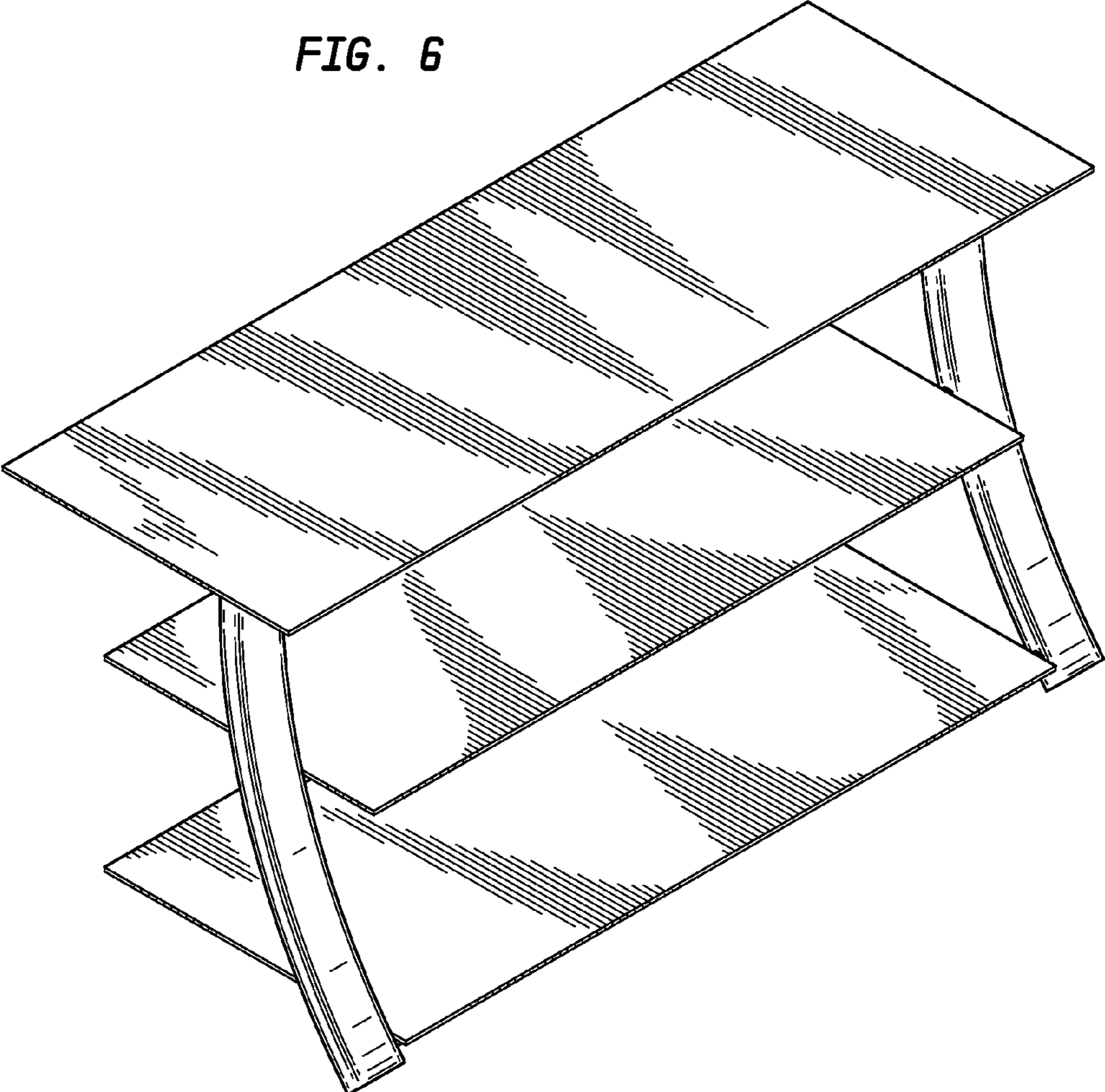


FIG. 6





*FIG. 7*

