



US00D612171S

(12) **United States Design Patent**
Wade et al.

(10) **Patent No.:** **US D612,171 S**
(45) **Date of Patent:** **** Mar. 23, 2010**

- (54) **SINGLE WING DISPLAY DEVICE**
- (75) Inventors: **Danny S. Wade**, Cohutta, GA (US);
Johannes Bakker, Cohutta, GA (US)
- (73) Assignee: **Beaulieu Group LLC**, Dalton, GA (US)
- (**) Term: **14 Years**
- (21) Appl. No.: **29/339,860**
- (22) Filed: **Jul. 9, 2009**

6,170,674 B1 * 1/2001 Caterinacci 211/41.1
 D524,573 S * 7/2006 Robinson et al. D6/463
 2002/0007578 A1 * 1/2002 Martorella 40/725
 2007/0119803 A1 * 5/2007 Raile 211/85.1

FOREIGN PATENT DOCUMENTS

CA 1117489 A1 2/1982
 FR 2640863 6/1990

* cited by examiner

Primary Examiner—Philip S Hyder
Assistant Examiner—Sydney R Buffalow
 (74) *Attorney, Agent, or Firm*—Sutherland Asbill & Brennan LLP

- (51) **LOC (9) Cl.** **06-04**
- (52) **U.S. Cl.** **D6/457; D6/629**
- (58) **Field of Classification Search** D6/629–630,
D6/467, 466, 450, 457, 301, 407, 449, 397,
D6/396, 476, 477, 462, 570–572, 556, 567,
D6/463; D32/55, 58; 211/40, 41.12, 44,
211/41.18, 181.145, 41.1, 85.1; 206/307.1,
206/307, 308.1, 445, 987.15; 108/29; D20/42;
434/75; 40/725
See application file for complete search history.

(57) **CLAIM**

The ornamental design for a single wing display device, as shown.

DESCRIPTION

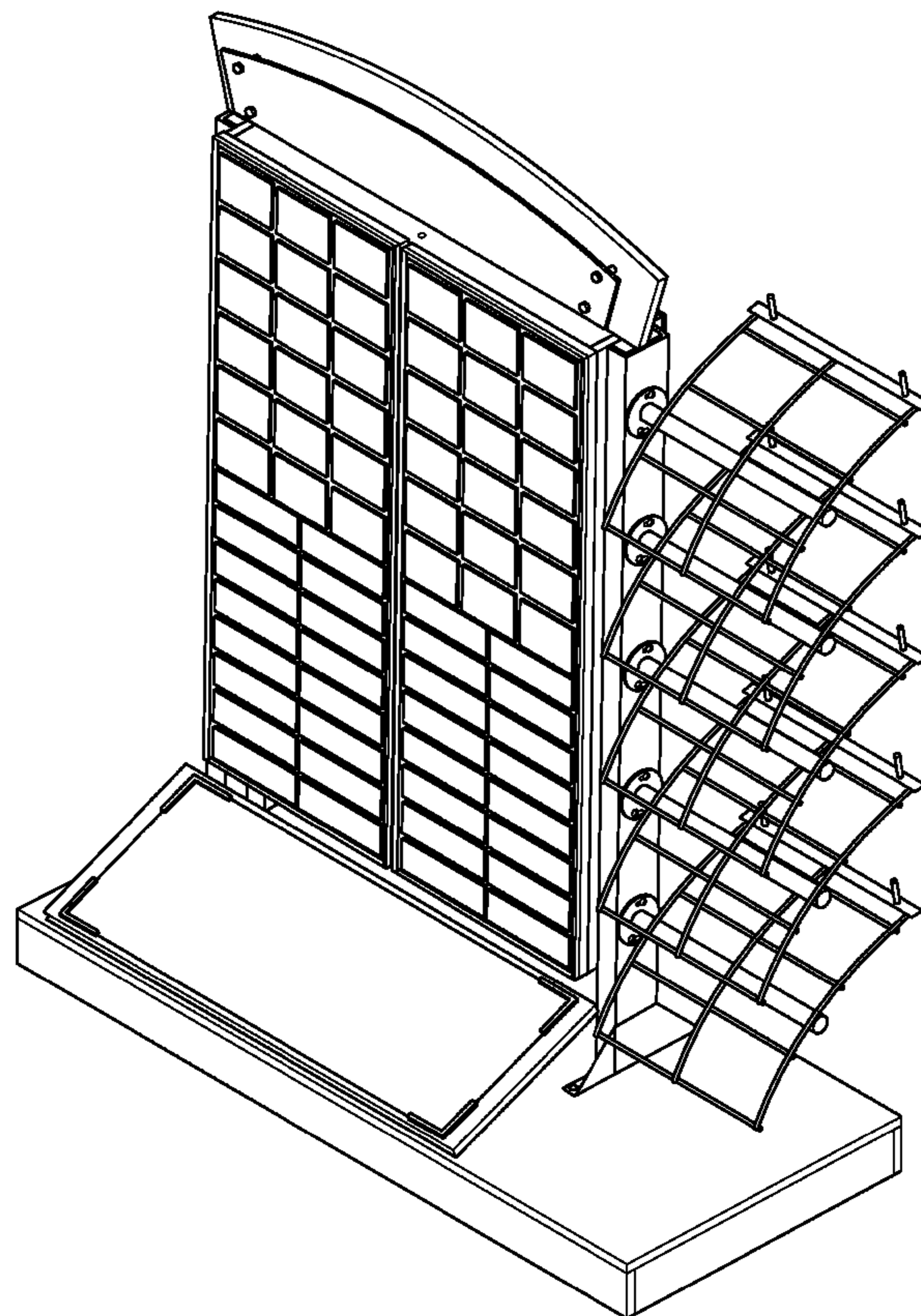
FIG. 1 is a perspective view of the single wing display device;
 FIG. 2 is a front plan view thereof;
 FIG. 3 is a rear plan view thereof,
 FIG. 4 is a right side view thereof;
 FIG. 5 is a left side plan view thereof; and,
 FIG. 6 is a top plan view thereof.

1 Claim, 5 Drawing Sheets

(56) **References Cited**

U.S. PATENT DOCUMENTS

3,871,524 A * 3/1975 Helf 211/45
 3,965,583 A * 6/1976 Price 434/75
 4,256,043 A * 3/1981 Ovitz, III 108/29
 D267,658 S * 1/1983 Samuels, Jr. D20/42



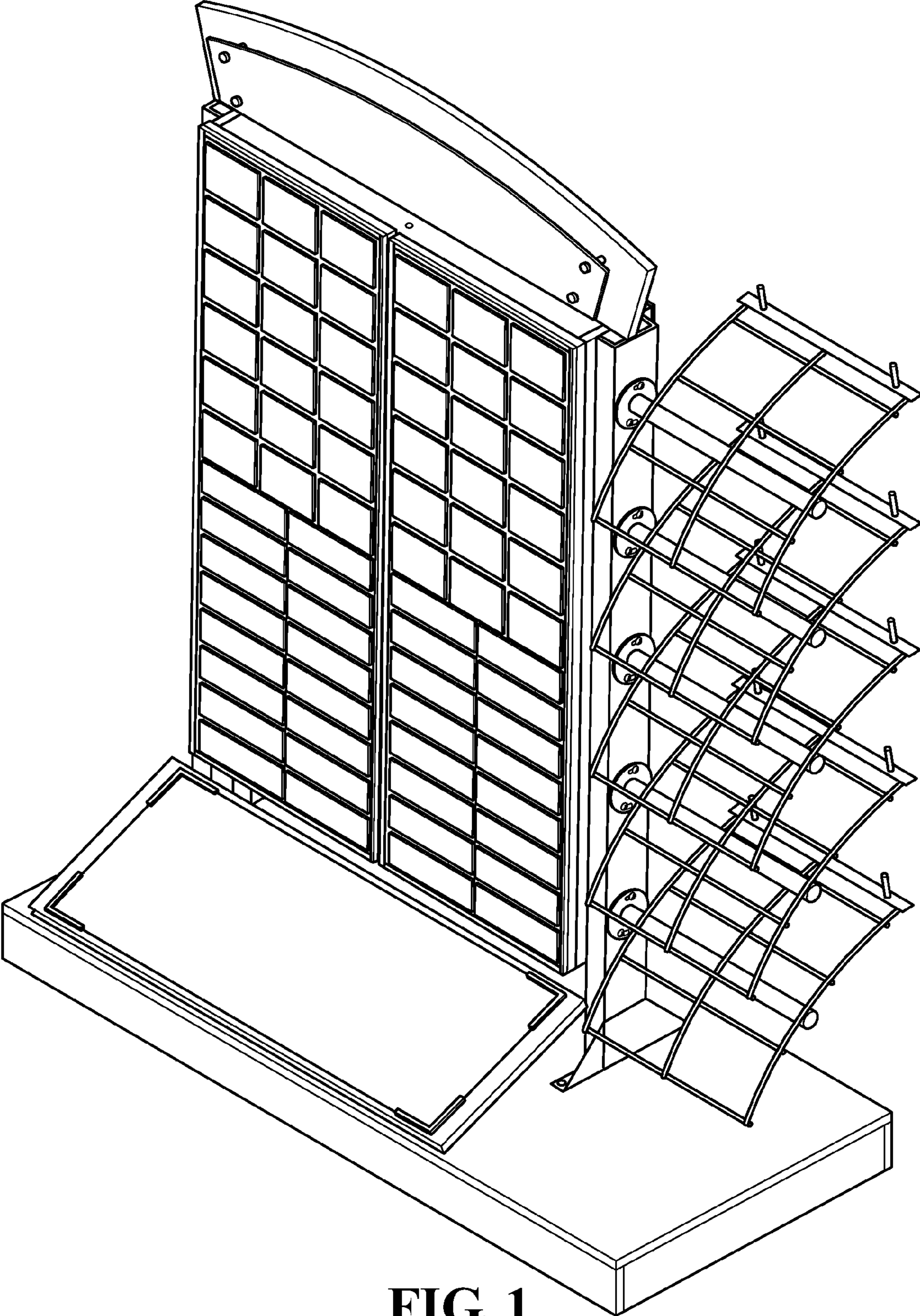


FIG. 1

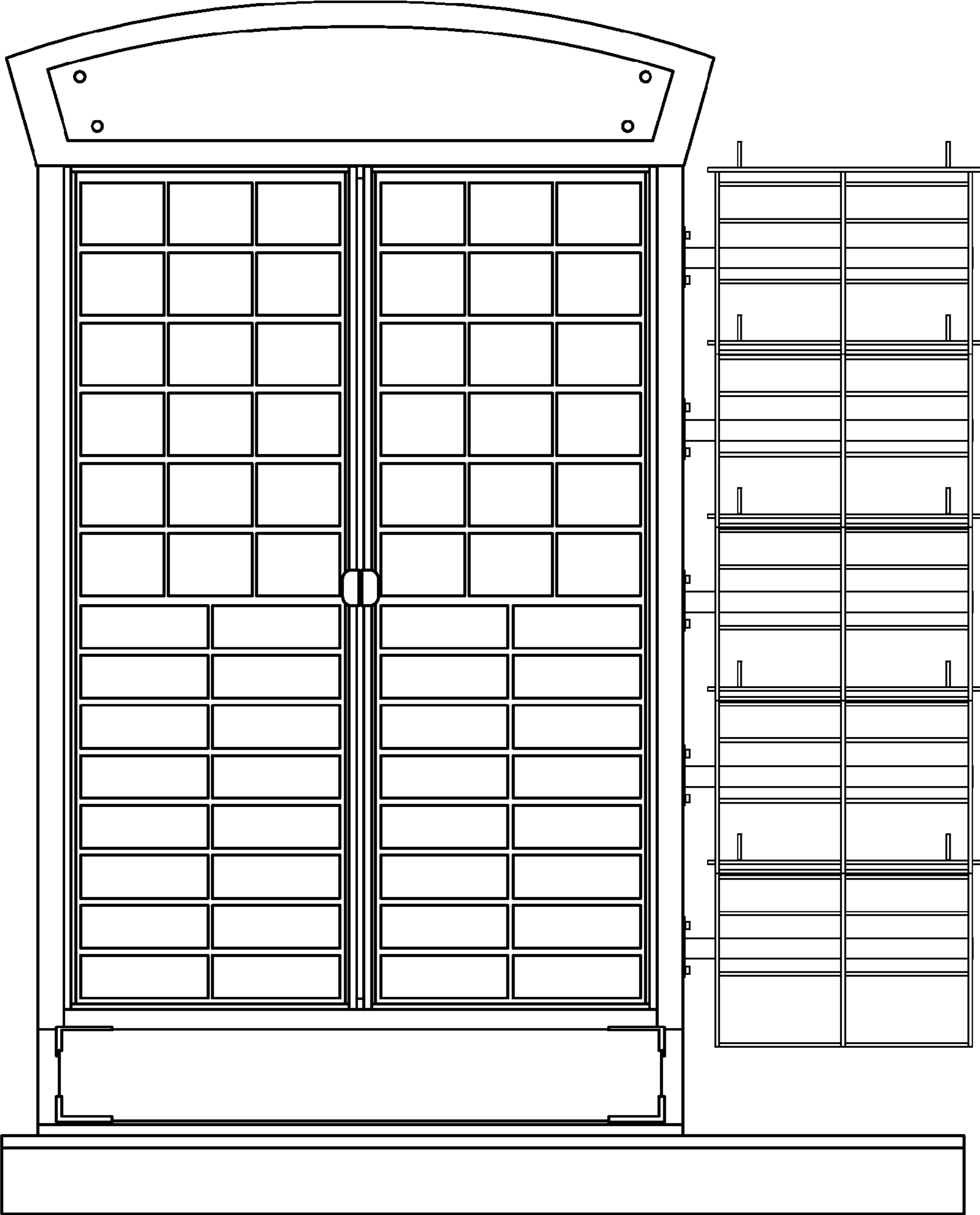


FIG. 2

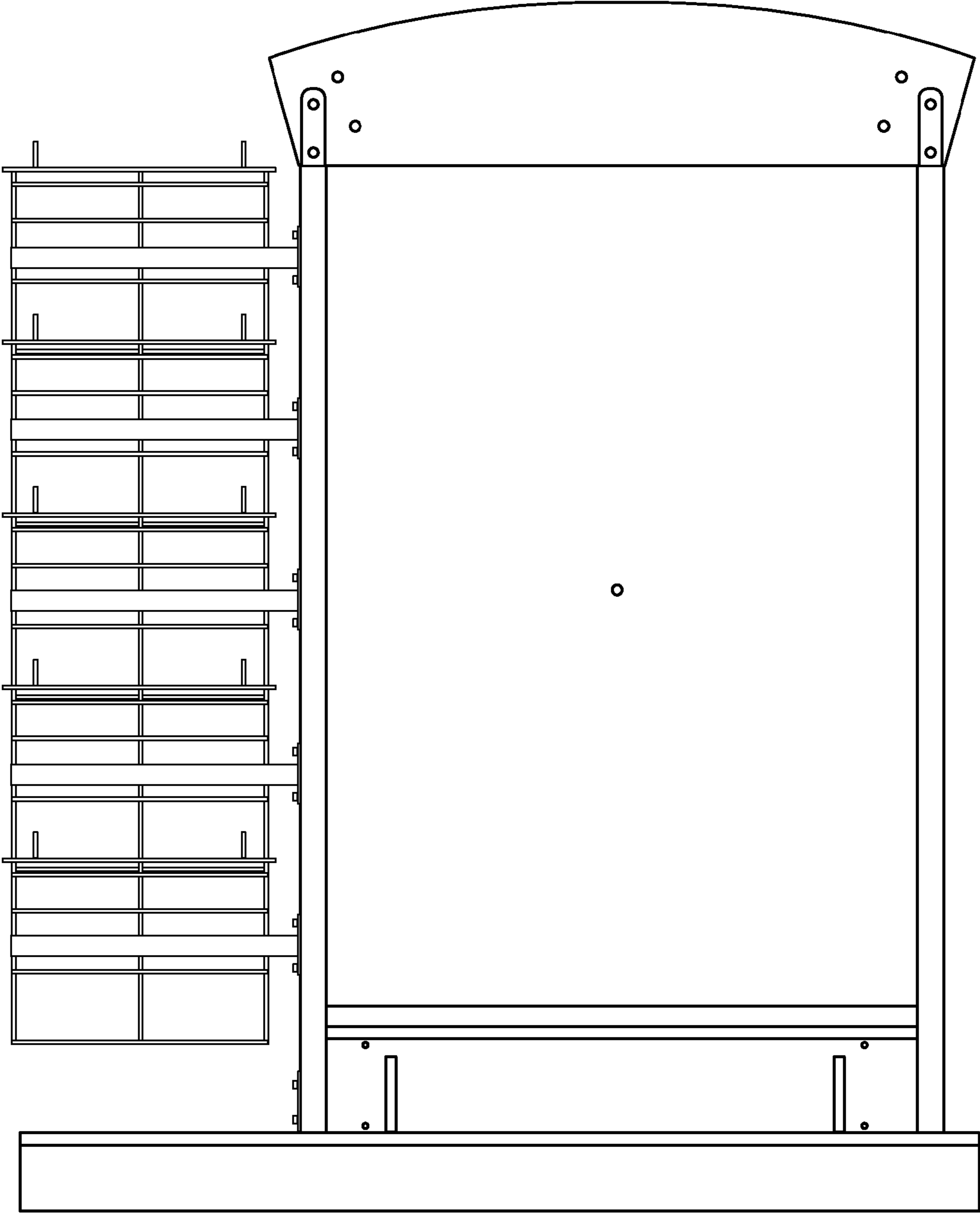


FIG. 3

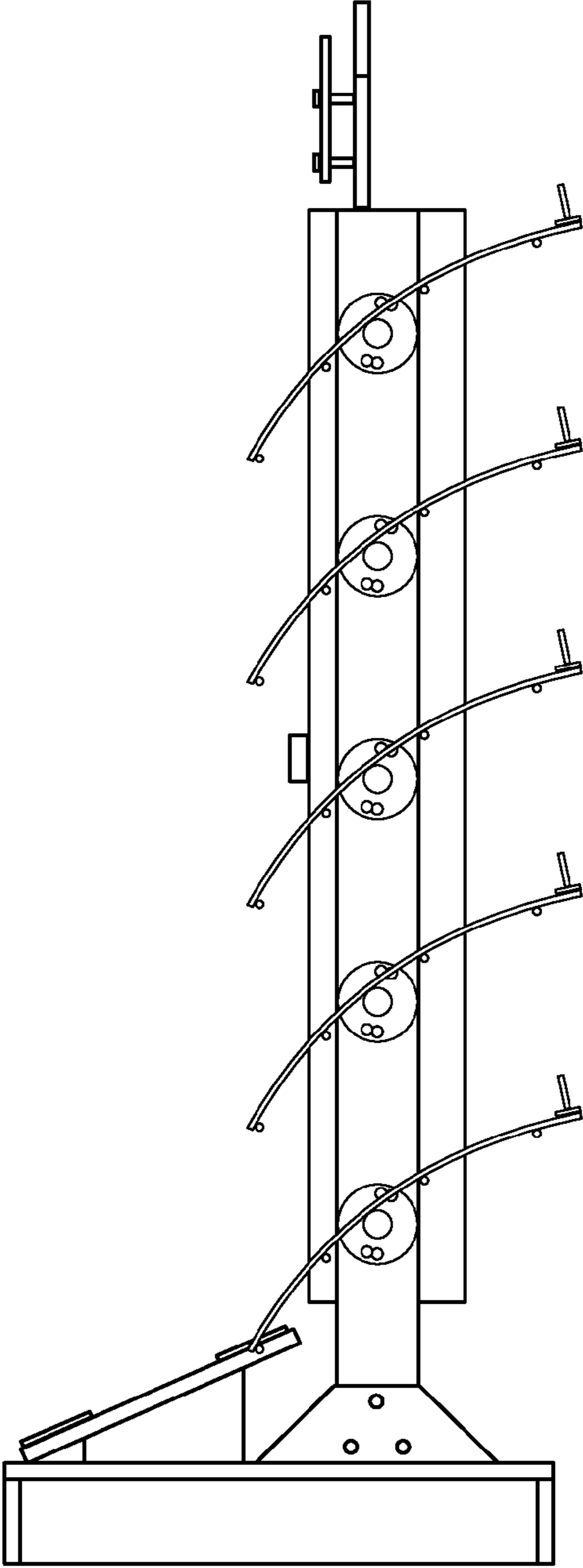


FIG. 4

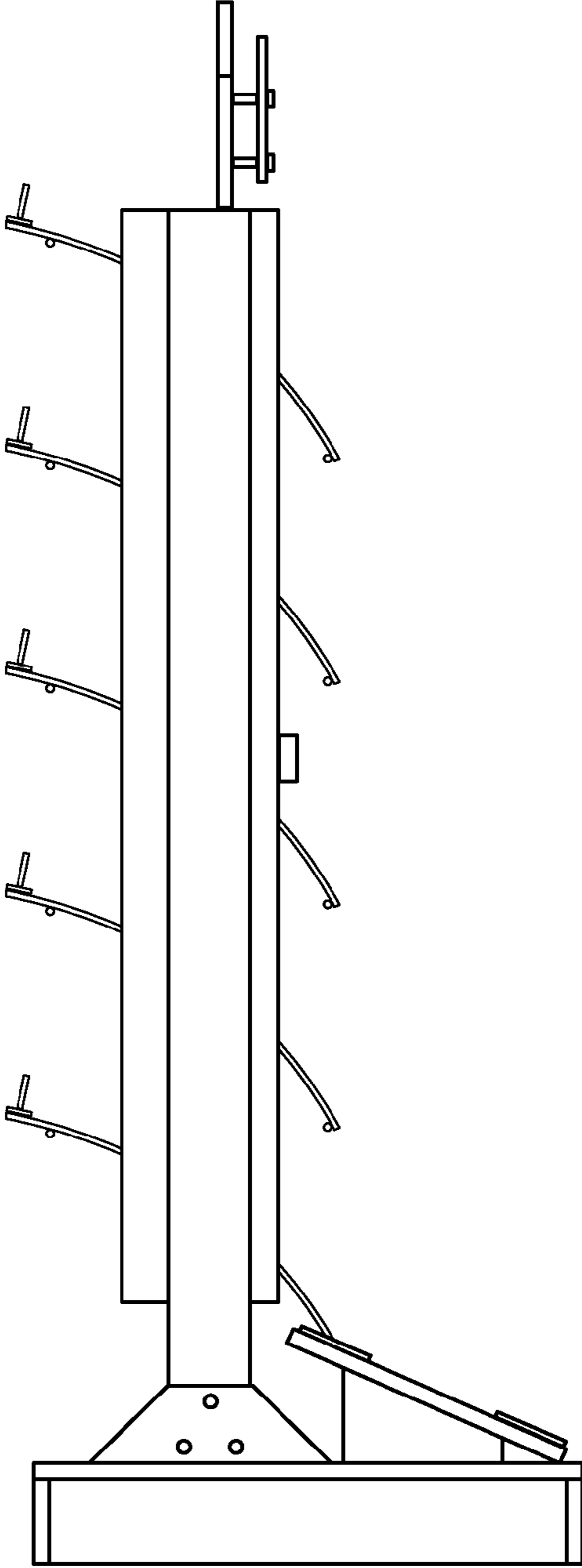


FIG. 5

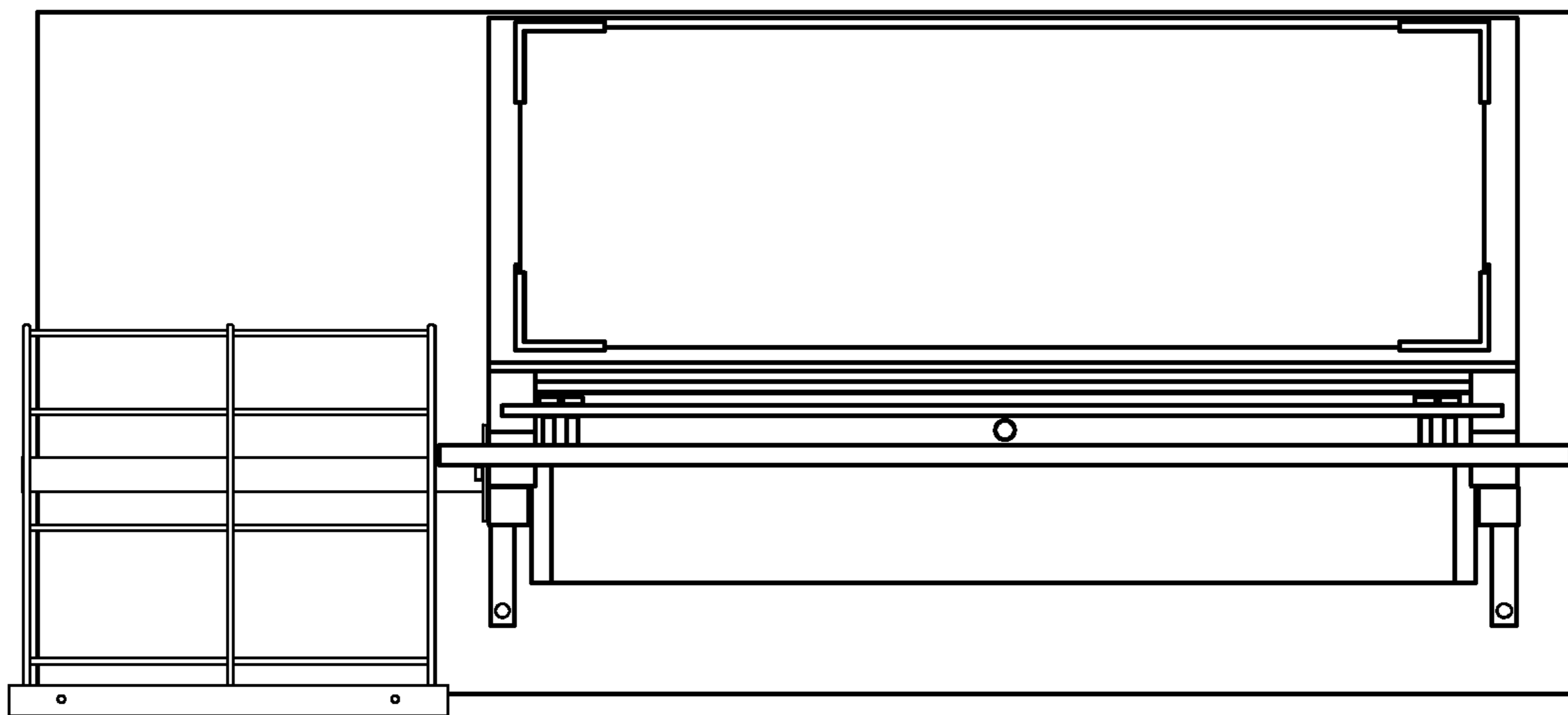


FIG. 6