



US00D612170S

(12) **United States Design Patent**
Hilder

(10) **Patent No.:** **US D612,170 S**
(45) **Date of Patent:** **** Mar. 23, 2010**

(54) **WAGON WHEEL HAME TABLE**

(76) Inventor: **Robert A. Hilder**, 1177 CR 92, Cat Springs, TX (US) 78933

(**) Term: **14 Years**

(21) Appl. No.: **29/332,194**

(22) Filed: **Feb. 10, 2009**

(51) **LOC (9) Cl.** **06-03**

(52) **U.S. Cl.** **D6/451**

(58) **Field of Classification Search** D6/480-489,
D6/495-499, 450, 451; 108/150, 153.1,
108/155, 156, 161; 248/188, 188.1, 188.8;
D30/152

See application file for complete search history.

(56) **References Cited**

U.S. PATENT DOCUMENTS

| | | | | |
|---------------|---------|--------|-------|--------|
| D97,548 S * | 11/1935 | Davis | | D6/451 |
| 3,103,899 A * | 9/1963 | Macken | | 108/25 |
| D207,263 S * | 3/1967 | Bowers | | D6/451 |
| D225,702 S * | 1/1973 | Walker | | D6/399 |

| | | | | |
|--------------|--------|-------------------|-------|--------|
| D260,464 S * | 9/1981 | Alexander | | D6/455 |
| D503,863 S * | 4/2005 | Vanderminden, Sr. | | D6/487 |

* cited by examiner

Primary Examiner—Janice E Seeger

(74) *Attorney, Agent, or Firm*—QuickPatents, Inc.; Kevin Prince

(57) **CLAIM**

I claim the ornamental design for a wagon wheel hame table, as shown and described.

DESCRIPTION

FIG. 1 is a perspective view of a wagon wheel hame table, showing my new design;

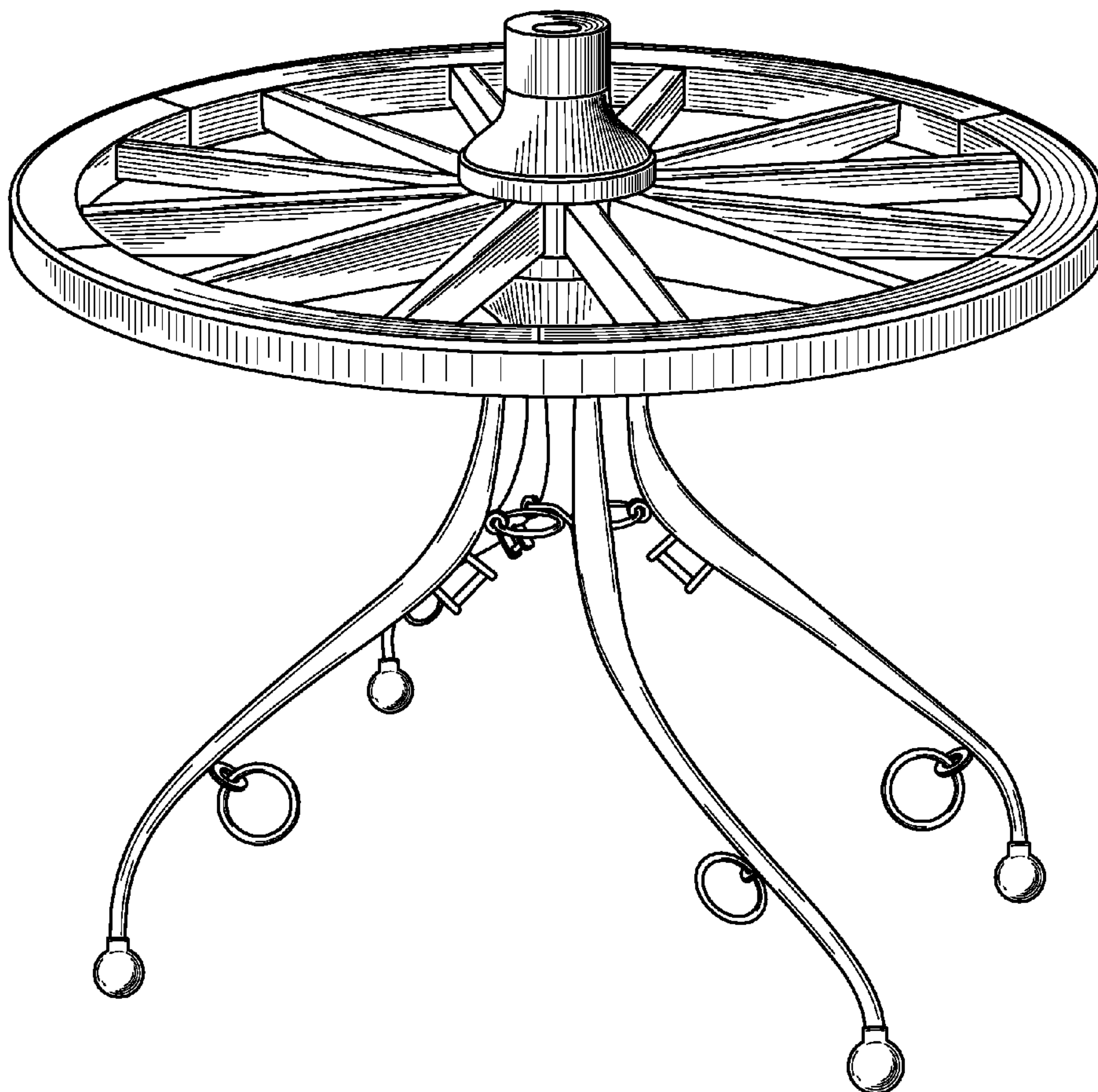
FIG. 2 is a front elevational view thereof, the rear elevational view being a mirror image thereof;

FIG. 3 is a left-side elevational view thereof, the right-side elevational view being a mirror image thereof;

FIG. 4 is a top plan view thereof; and,

FIG. 6 is a bottom plan view thereof.

1 Claim, 4 Drawing Sheets



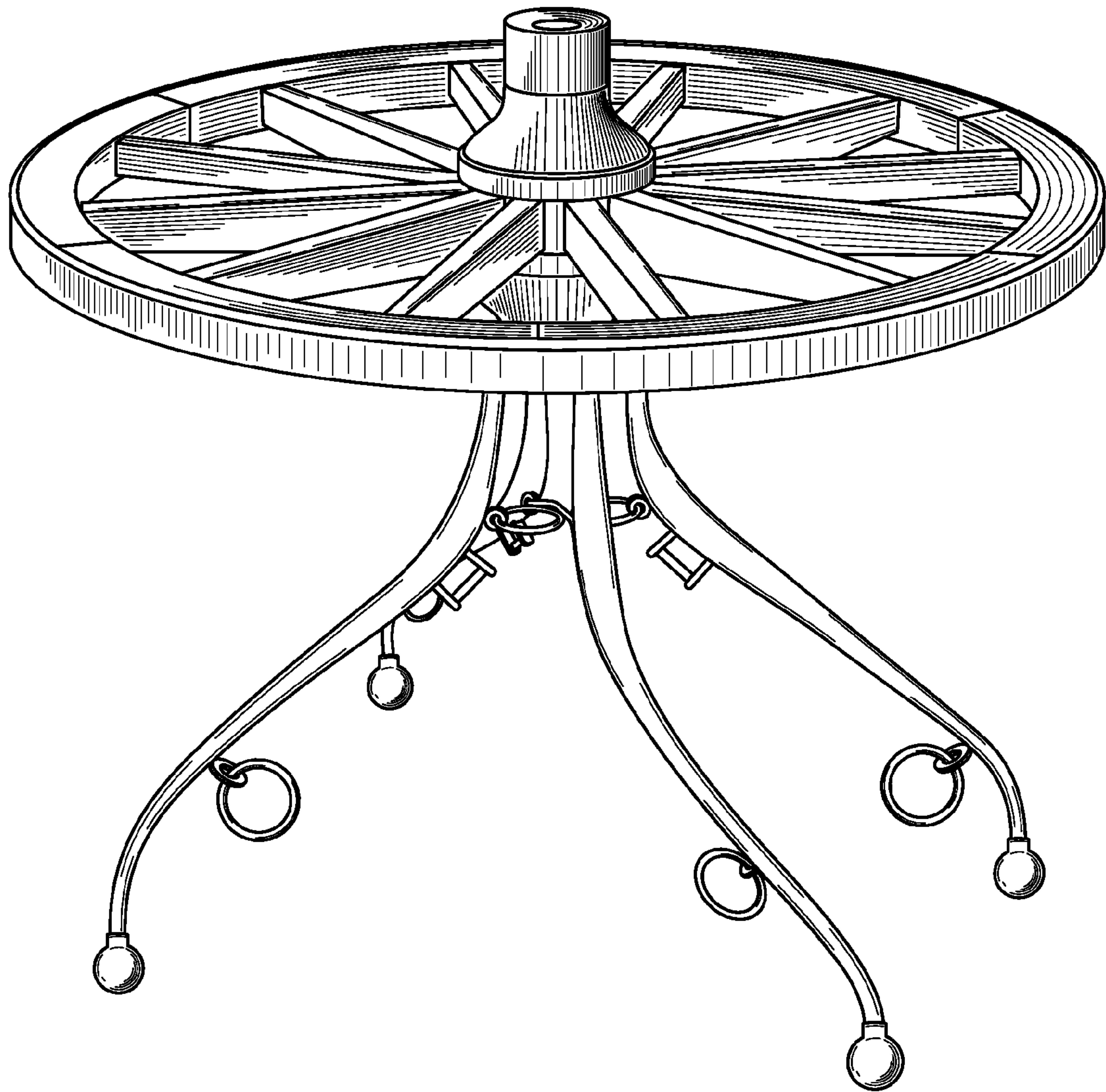


FIG. 1

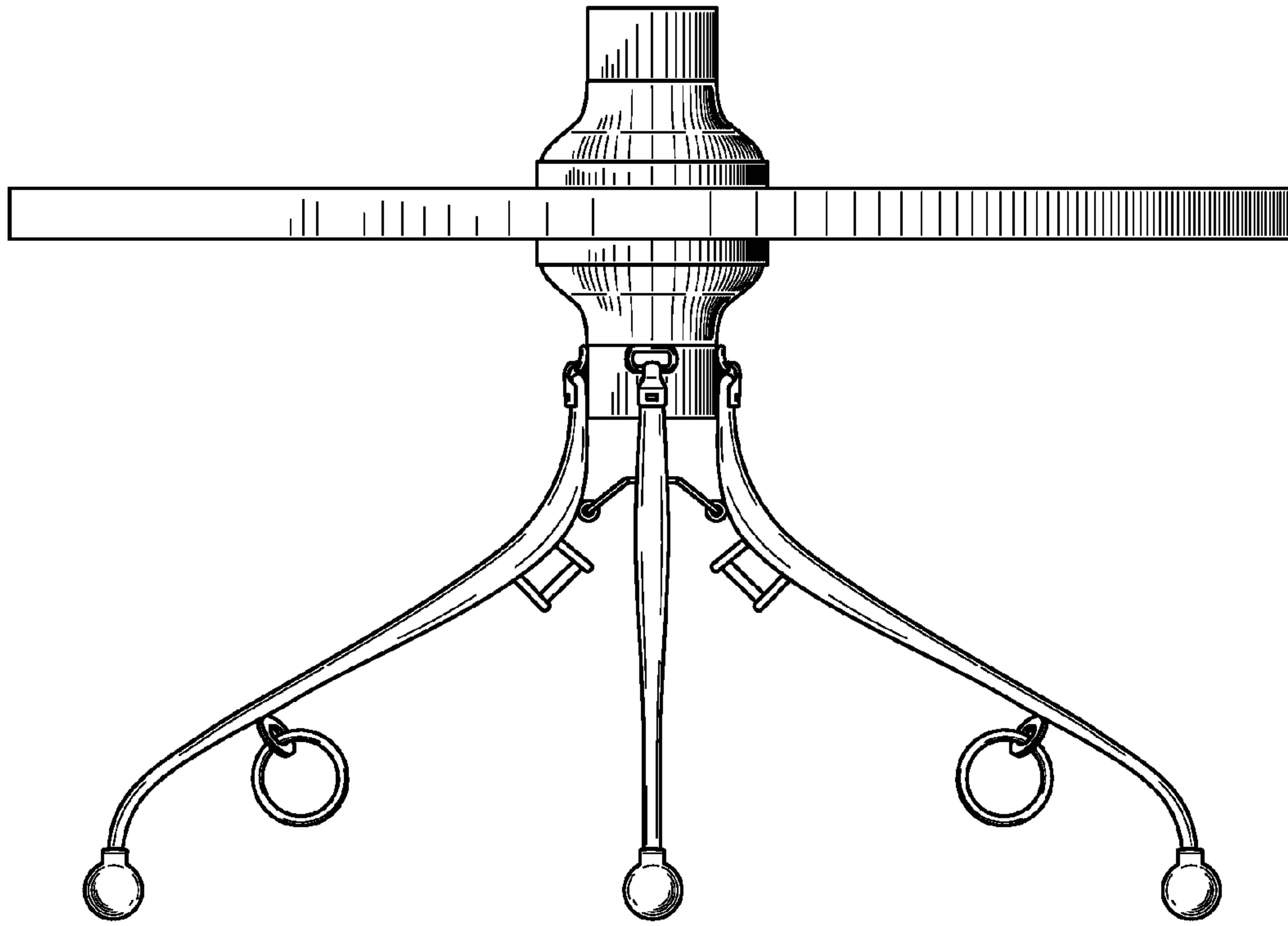


FIG. 2

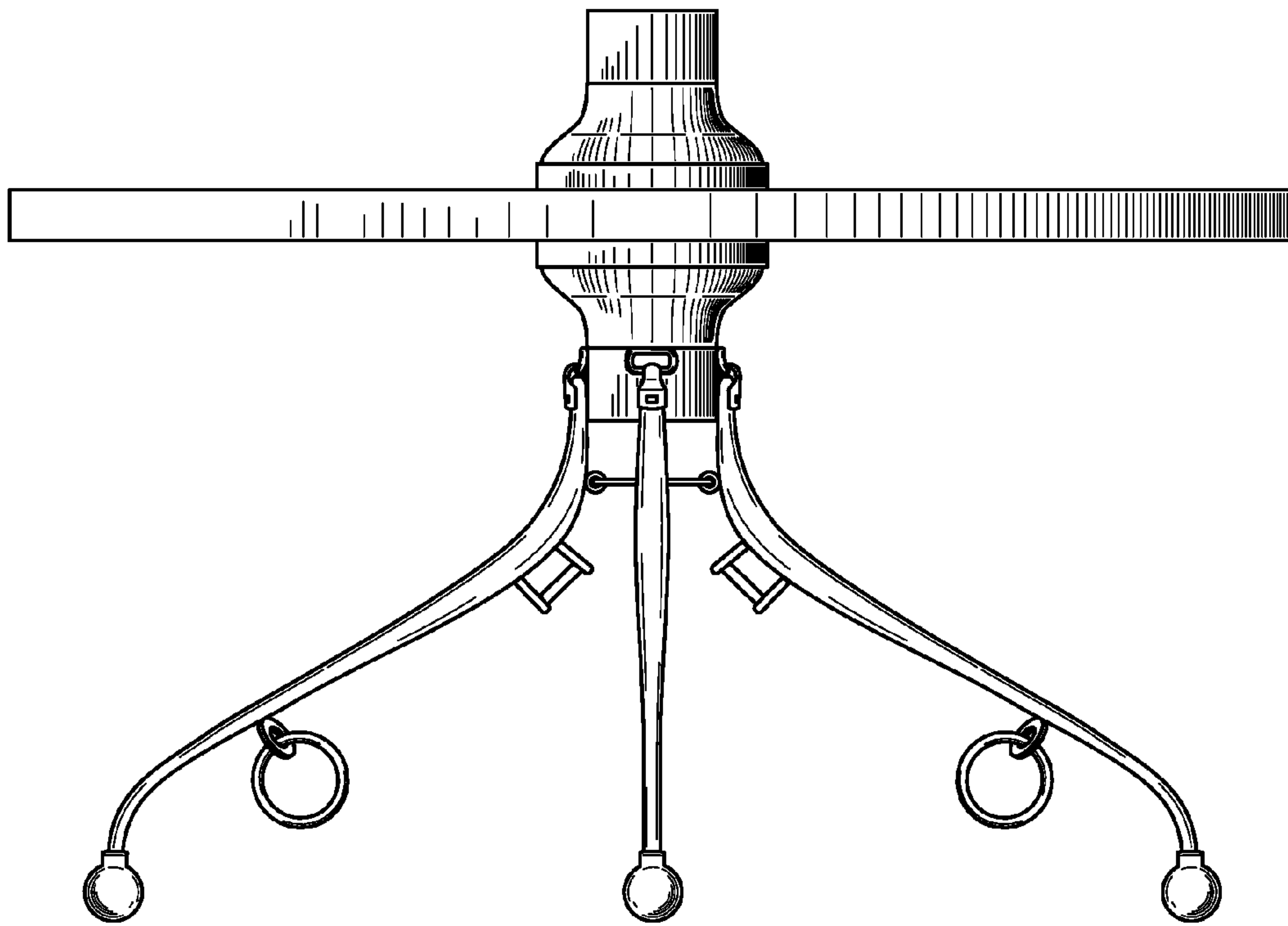


FIG. 3

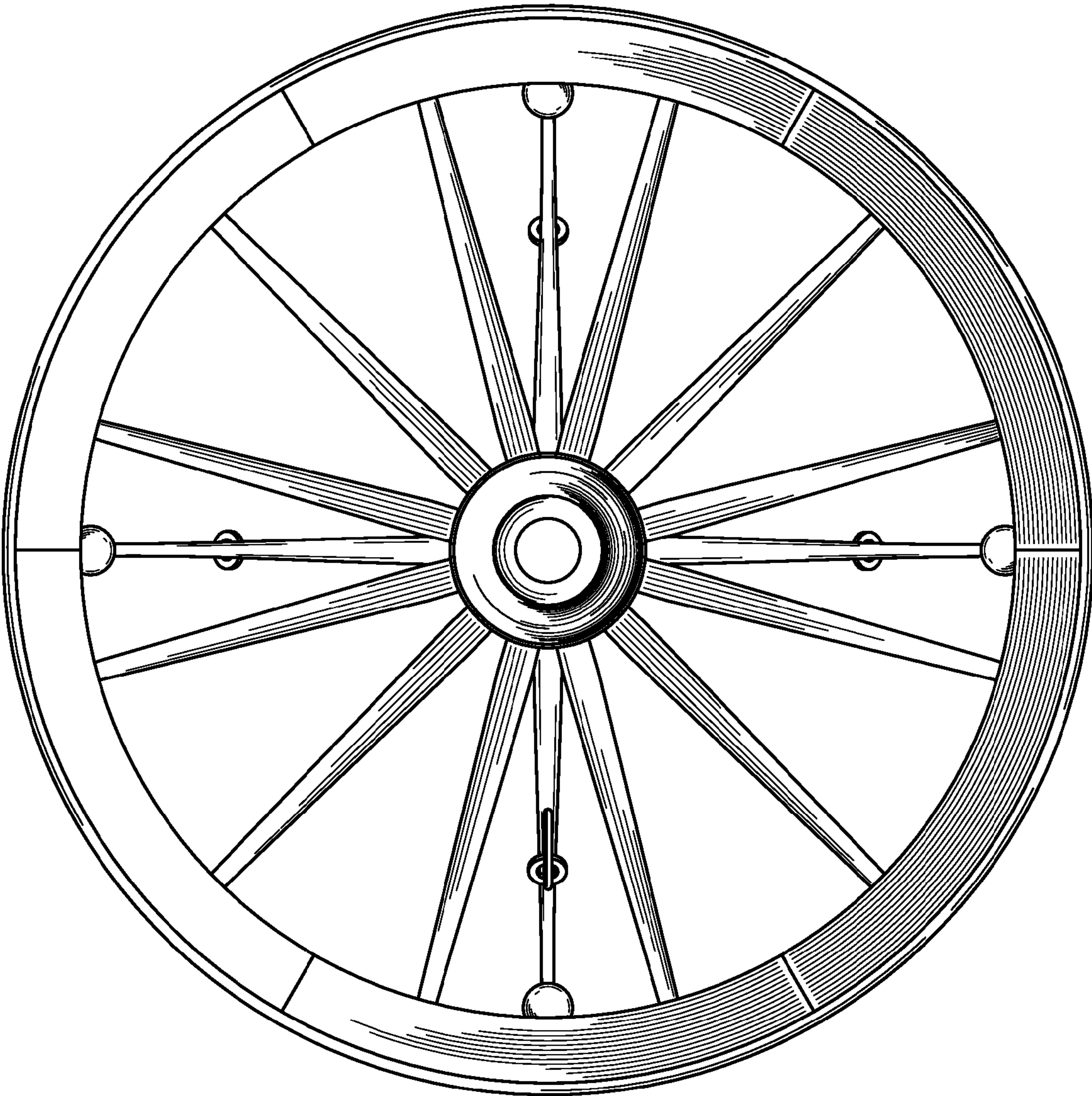


FIG. 4

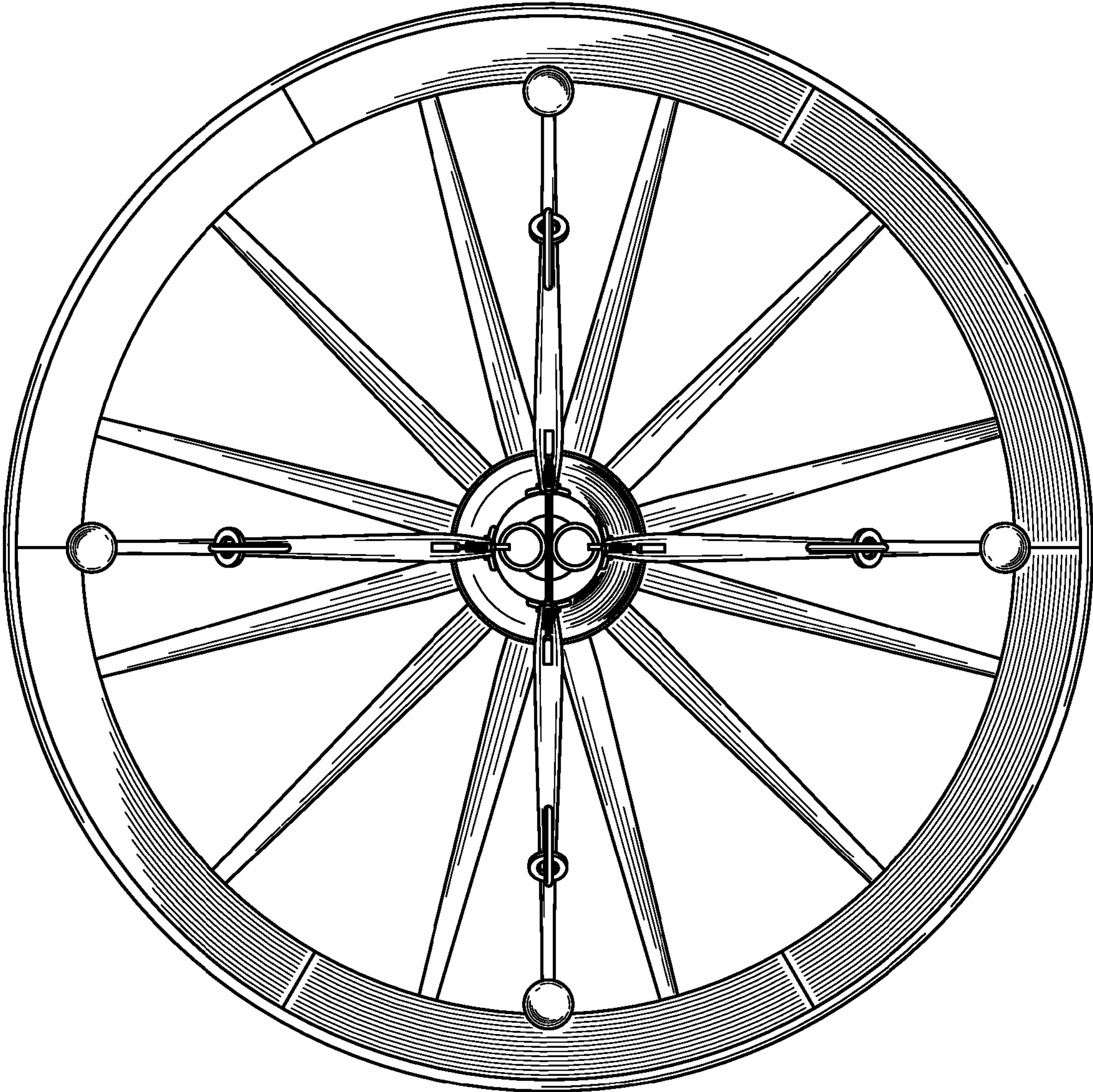


FIG. 5