



US00D612169S

(12) **United States Design Patent**
Chang

(10) **Patent No.:** **US D612,169 S**
(45) **Date of Patent:** **** Mar. 23, 2010**

(54) **COMPUTER TABLE**

(76) Inventor: **Chien-Kuo Chang**, 10-2 No. 447, 3 Sec.
Wen-Hsin Rd., Taichung City (TW)

(**) Term: **14 Years**

(21) Appl. No.: **29/338,628**

(22) Filed: **Jun. 16, 2009**

(51) **LOC (9) Cl.** **06-03**

(52) **U.S. Cl.** **D6/429; D6/487**

(58) **Field of Classification Search** D6/480-489,
D6/429-431, 495-499; 108/150, 152, 153.1,
108/157.1, 161, 144.11, 146, 147.19; 248/188,
248/188.1, 188.7, 188.8, 407

See application file for complete search history.

(56) **References Cited**

U.S. PATENT DOCUMENTS

D122,925	S	*	10/1940	Holden et al.	D6/406.2
2,318,458	A	*	5/1943	Boren	108/146
2,628,147	A	*	2/1953	Berner	312/246
D270,588	S	*	9/1983	Kemple	D6/486

D314,878	S	*	2/1991	Hart	D6/486
D501,336	S	*	2/2005	Lin	D6/429
D548,496	S	*	8/2007	Samtani	D6/486

* cited by examiner

Primary Examiner—Janice E Seeger

(57) **CLAIM**

The ornamental design for a computer table, as shown and described.

DESCRIPTION

FIG. 1 is a perspective view of a computer table showing our new design;

FIG. 2 is a front elevational view thereof;

FIG. 3 is a rear elevational view thereof;

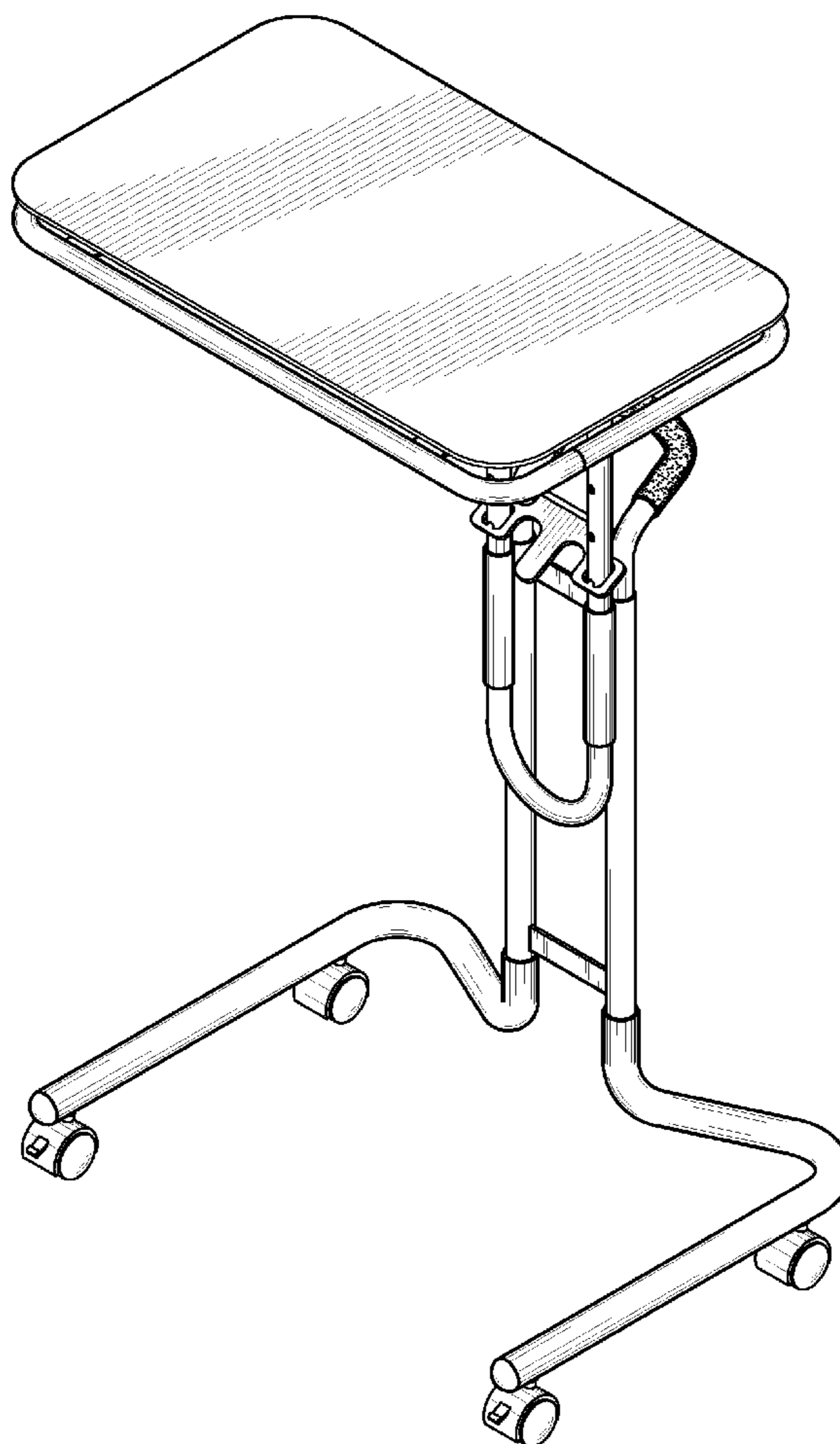
FIG. 4 is a left side elevational view thereof;

FIG. 5 is a right side elevational view thereof;

FIG. 6 is a top plan view thereof; and,

FIG. 7 is a bottom plan view thereof.

1 Claim, 6 Drawing Sheets



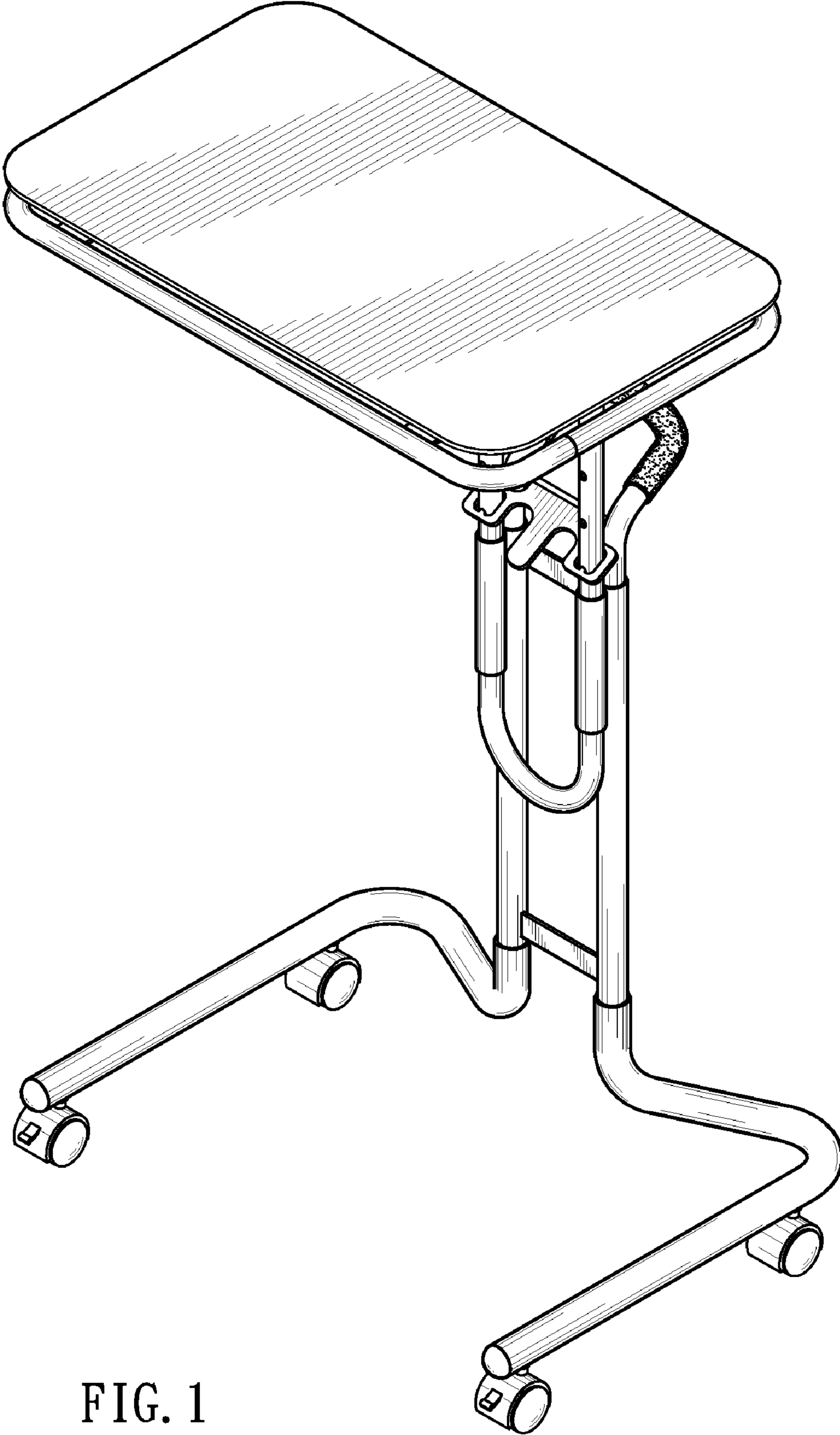


FIG. 1

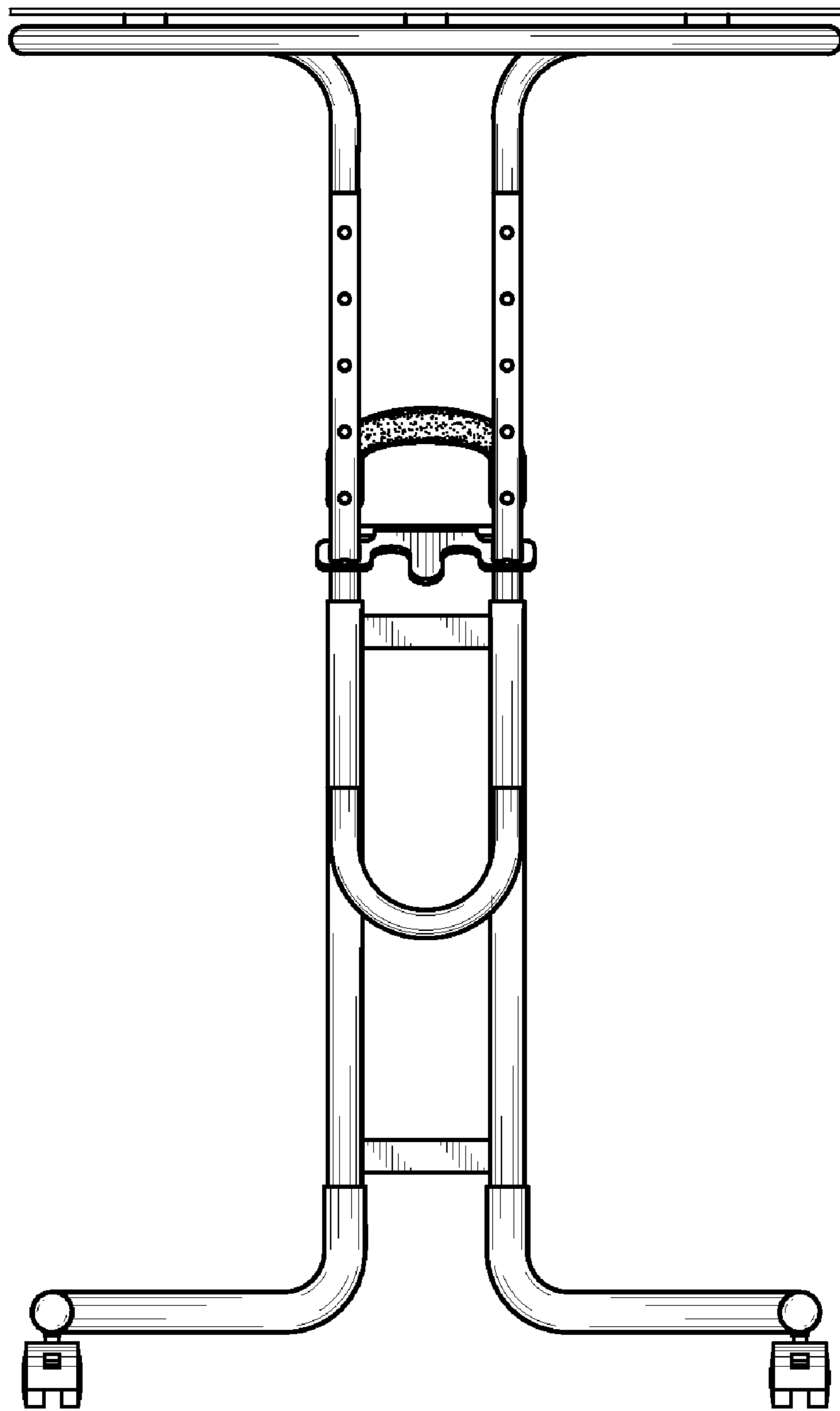


FIG. 2

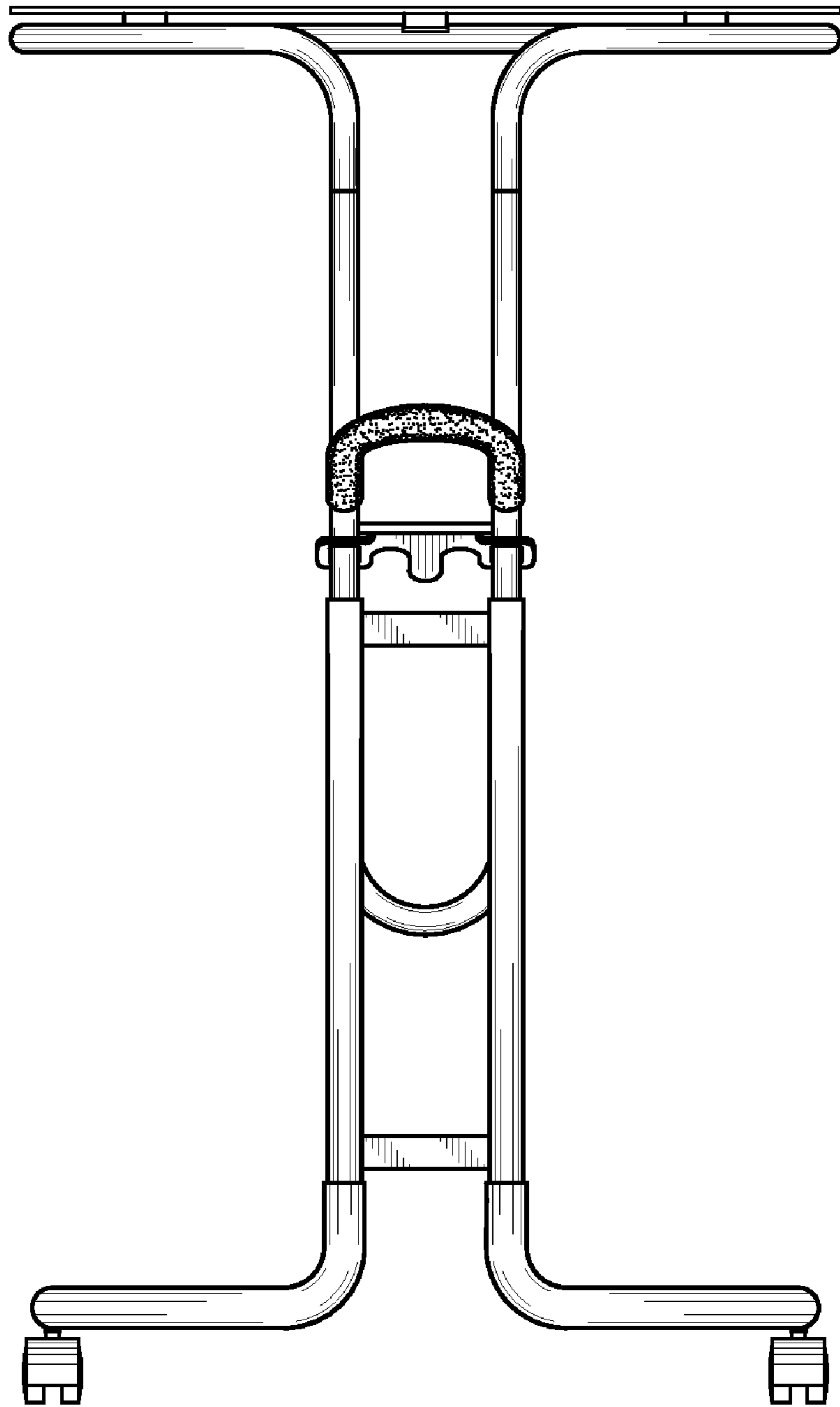


FIG. 3

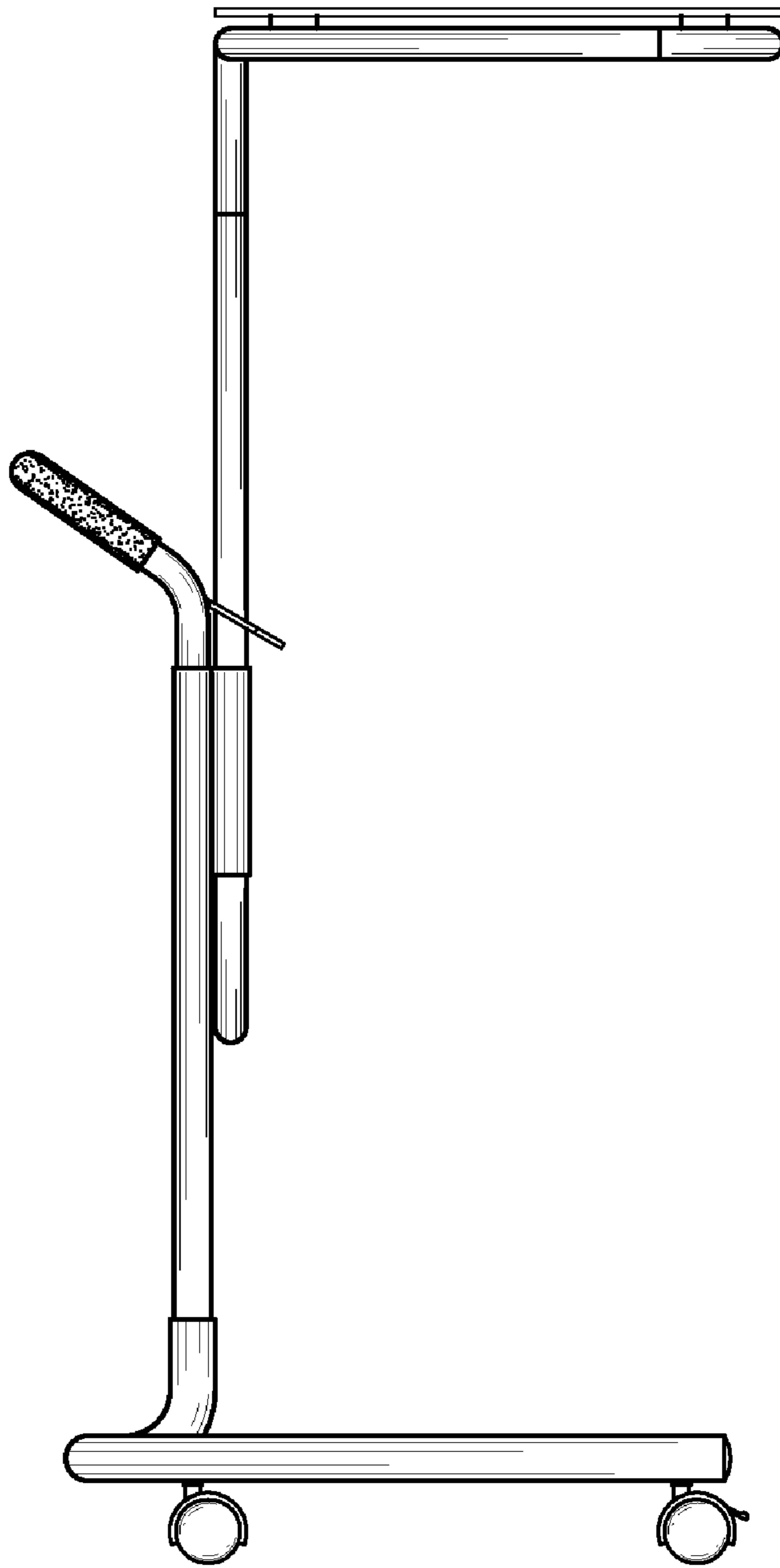


FIG. 4

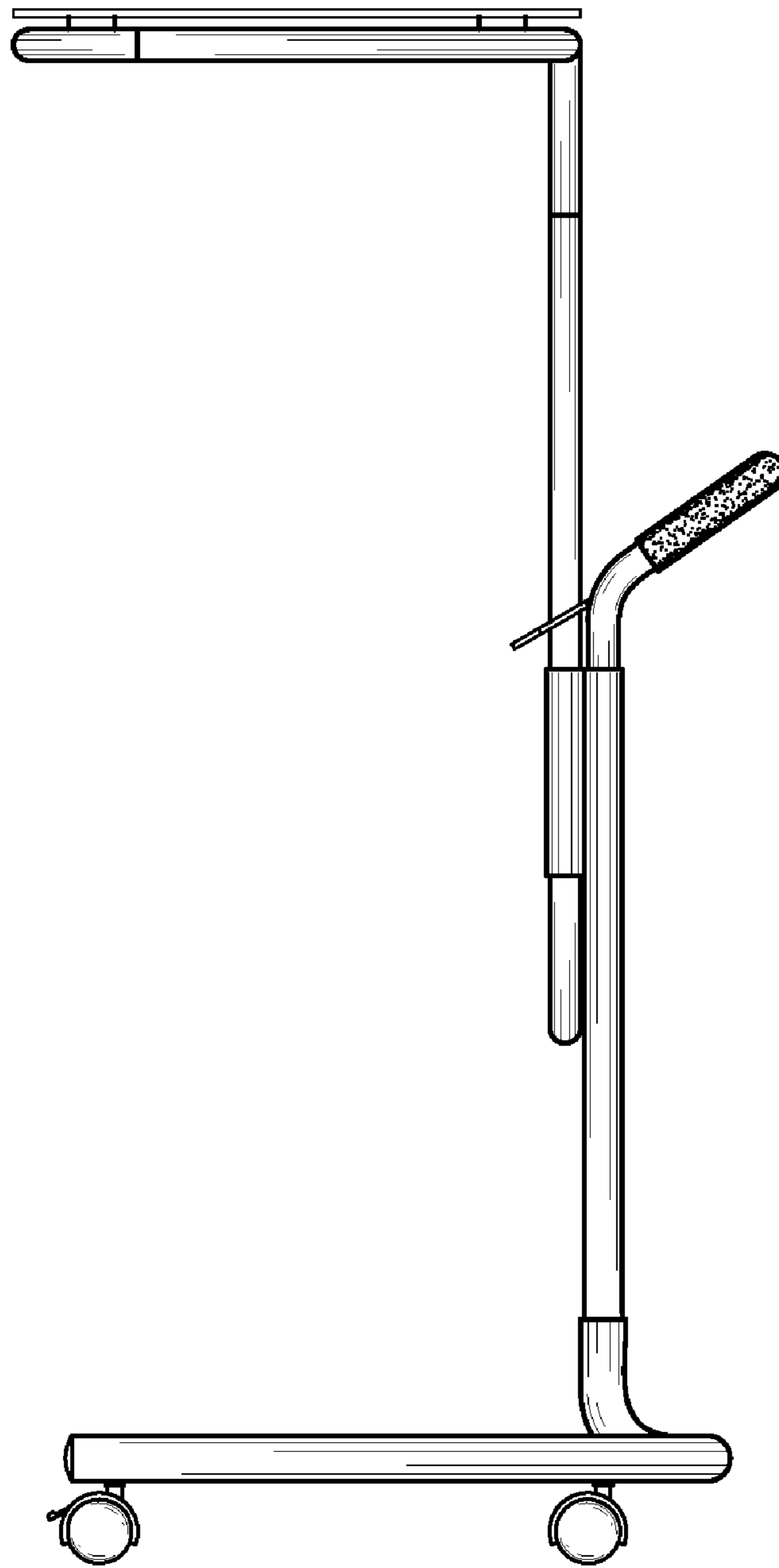


FIG. 5

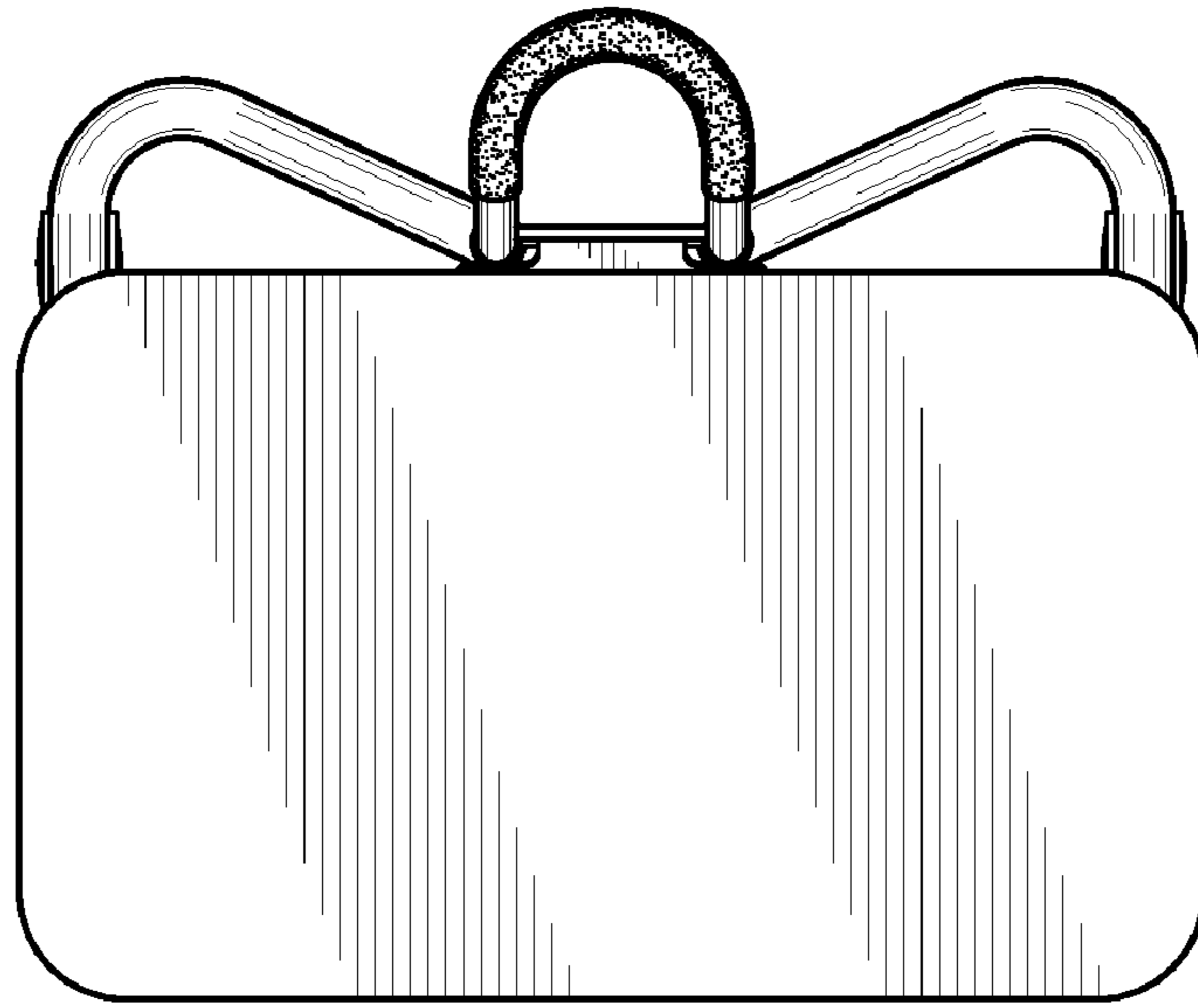


FIG. 6

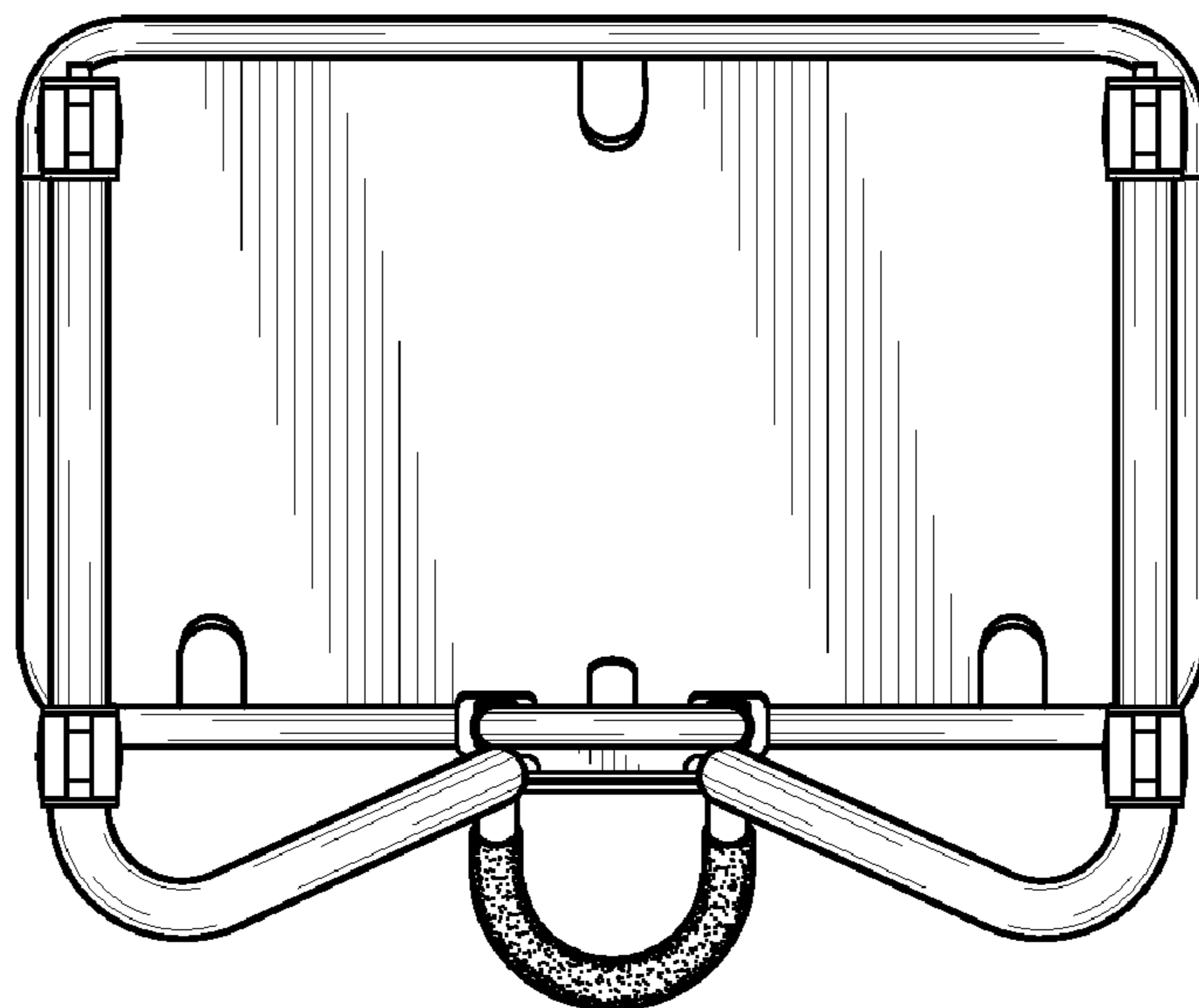


FIG. 7