



US00D612168S

(12) **United States Design Patent**
Leach

(10) **Patent No.:** **US D612,168 S**

(45) **Date of Patent:** **** Mar. 23, 2010**

(54) **FOUR WAY SWINGING BABY HAMMOCK**

(76) **Inventor:** **Shannette Leach**, 619 Jackson St.,
Douglas, WY (US) 82633

(**) **Term:** **14 Years**

(21) **Appl. No.:** **29/315,081**

(22) **Filed:** **May 26, 2009**

(51) **LOC (9) Cl.** **06-02**

(52) **U.S. Cl.** **D6/387**

(58) **Field of Classification Search** D6/386,
D6/387, 390, 391, 385; 5/98.3, 120-123,
5/127, 128; 297/273; D21/797

See application file for complete search history.

(56) **References Cited**

U.S. PATENT DOCUMENTS

251,488 A * 12/1881 Vizelich 5/129
430,294 A * 6/1890 Mackenzie 5/98.1

1,413,068 A * 4/1922 Stotler et al. 5/98.3
3,203,012 A * 8/1965 Roberts 5/120
D284,335 S * 6/1986 Fatseas D6/386
4,977,631 A * 12/1990 Bretz 5/118
D317,230 S * 6/1991 McCain et al. D6/385
5,095,563 A * 3/1992 Miller 5/101
5,987,665 A * 11/1999 Simantob et al. 5/98.3
D591,971 S * 5/2009 Serghini D6/385

* cited by examiner

Primary Examiner—Janice E Seeger

(74) *Attorney, Agent, or Firm*—Richard L. Mikesell

(57) **CLAIM**

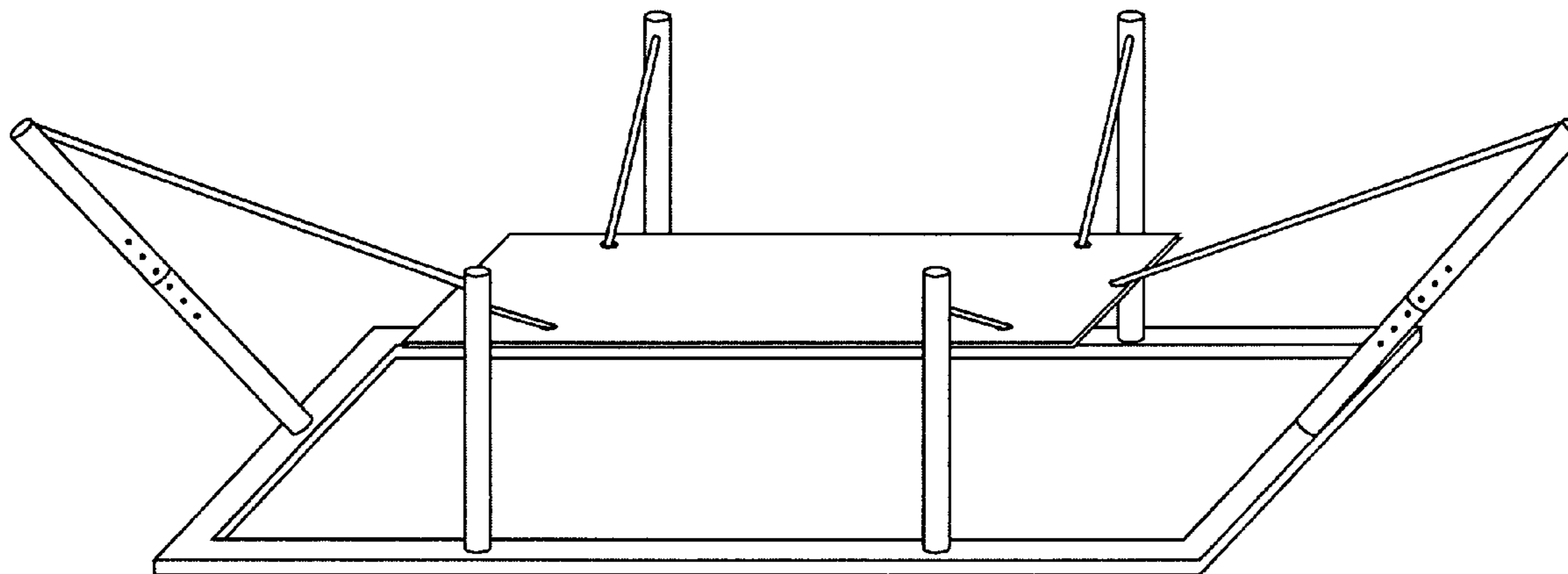
The ornamental design for a four way swinging baby ham-
mock, as shown and described.

DESCRIPTION

FIG. 1: Top left perspective view; and,

FIG. 2: Detail of leg.

1 Claim, 1 Drawing Sheet



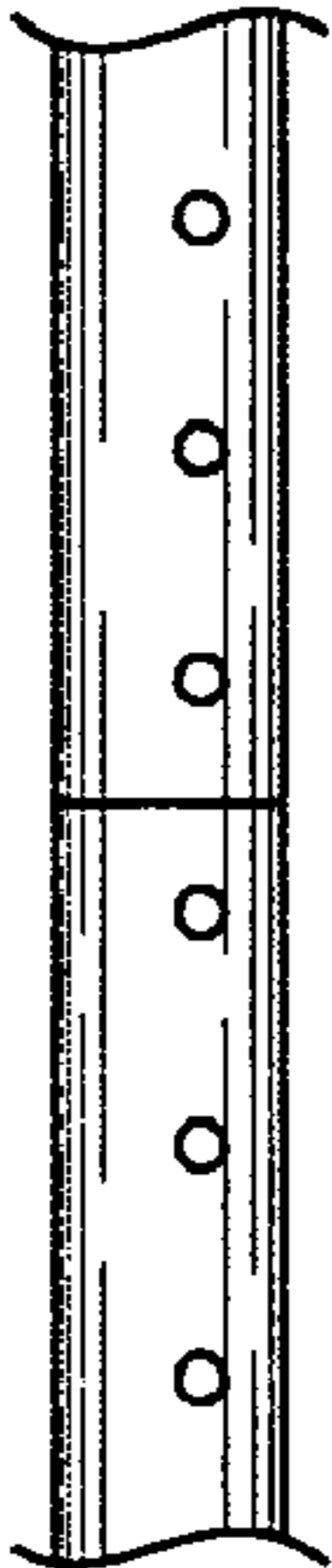


Fig. 2

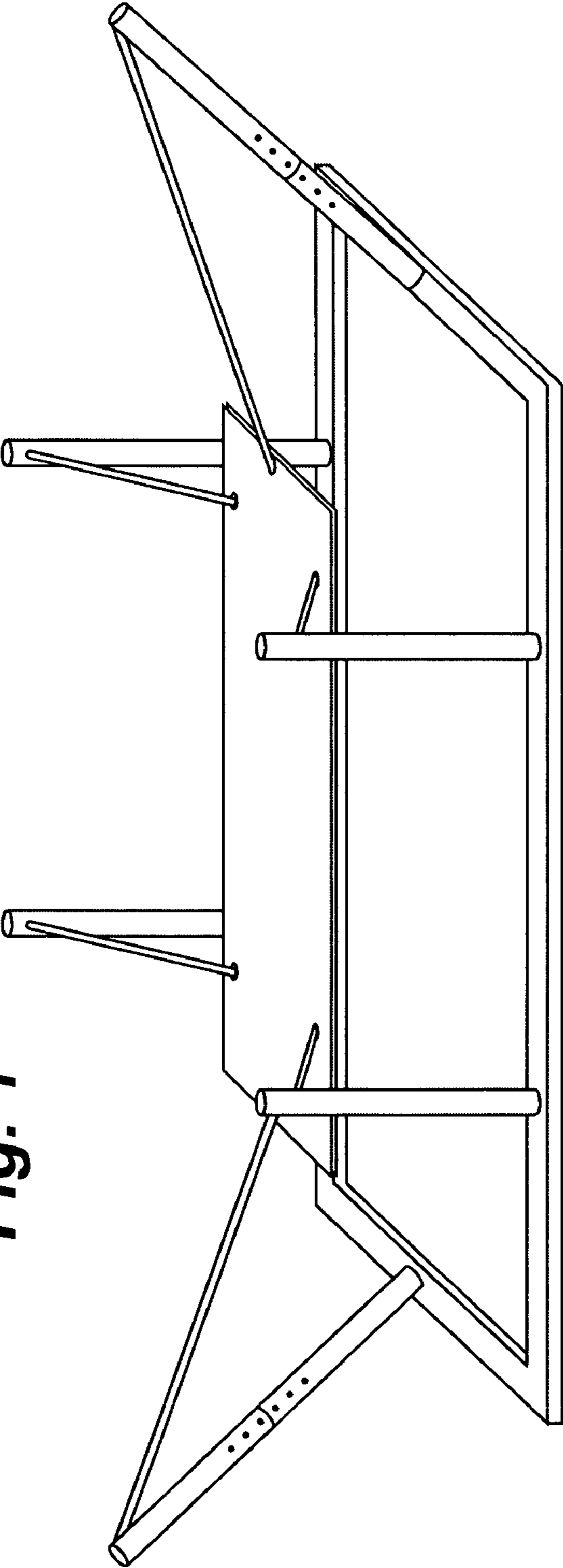


Fig. 1