



US00D612163S

(12) **United States Design Patent**
Wagener

(10) **Patent No.:** **US D612,163 S**
(45) **Date of Patent:** **** Mar. 23, 2010**

(54) **VEHICLE SEAT**

(75) Inventor: **Karl-Heinz Wagener**, Guetersloh (DE)

(73) Assignee: **Isringhausen GmbH & Co. KG** (DE)

(**) Term: **14 Years**

(21) Appl. No.: **29/314,075**

(22) Filed: **Mar. 2, 2009**

(30) **Foreign Application Priority Data**

Sep. 1, 2008 (EM) 000994744-0002

(51) **LOC (9) Cl.** **06-01**

(52) **U.S. Cl.** **D6/356**

(58) **Field of Classification Search** D6/334-336,
D6/356, 367, 368, 374, 375, 500-502; 297/232,
297/354.1, 396, 452.21, 452.24, 452.25,
297/452.26, 452.29, 452.34, 452.35, 468
See application file for complete search history.

(56) **References Cited**

U.S. PATENT DOCUMENTS

D298,986 S * 12/1988 Carter D6/356
D315,255 S * 3/1991 Beermann D6/356
D321,095 S * 10/1991 Bockwoldt D6/356
D426,392 S * 6/2000 Ott et al. D6/356
D507,122 S * 7/2005 Beermann D6/356

D536,185 S * 2/2007 Ritzel D6/356
D536,543 S * 2/2007 Hsu D6/356
D574,619 S * 8/2008 Maezono D6/356
D605,420 S * 12/2009 Krauss et al. D6/356
2008/0073967 A1 * 3/2008 Whalen et al. 297/468
2008/0088168 A1 * 4/2008 Beermann et al. 297/468

* cited by examiner

Primary Examiner—Mimosa De

(74) *Attorney, Agent, or Firm*—Dyan O. Adams; Graybeal Jackson LLP

(57) **CLAIM**

The ornamental design for a vehicle seat, as shown and described.

DESCRIPTION

FIG. 1 is a perspective view of the vehicle seat;
FIG. 2 is a front elevation view of the vehicle seat;
FIG. 3 is a rear elevation view of the vehicle seat;
FIG. 4 is a right side elevation view of the vehicle seat;
FIG. 5 is a left side elevation view of the vehicle seat; and,
FIG. 6 is a top plan view of the vehicle seat.

The broken lines shown in the drawing are for illustrative purposes only and form no part of the claimed design.

1 Claim, 3 Drawing Sheets

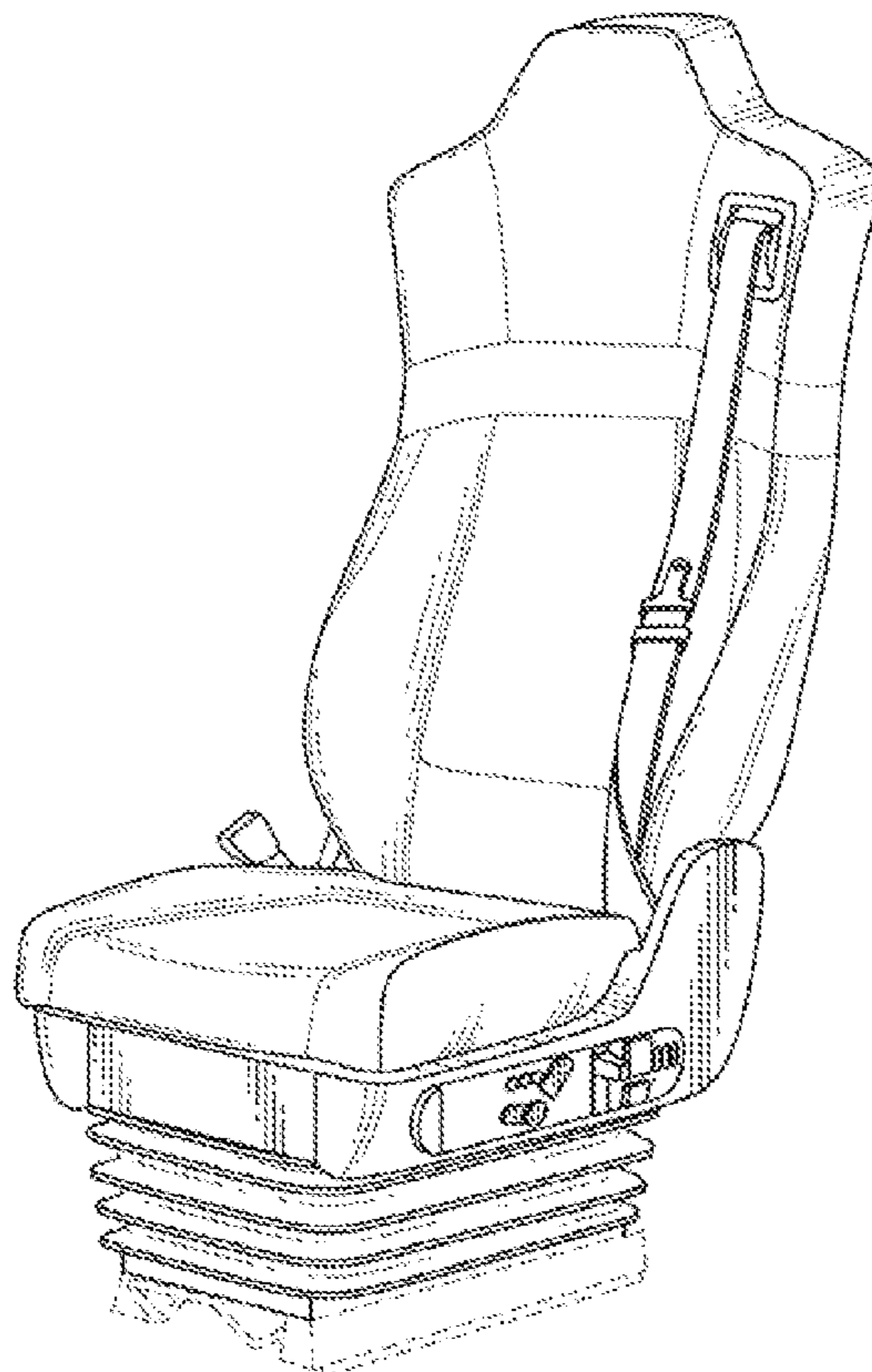


FIG. 1

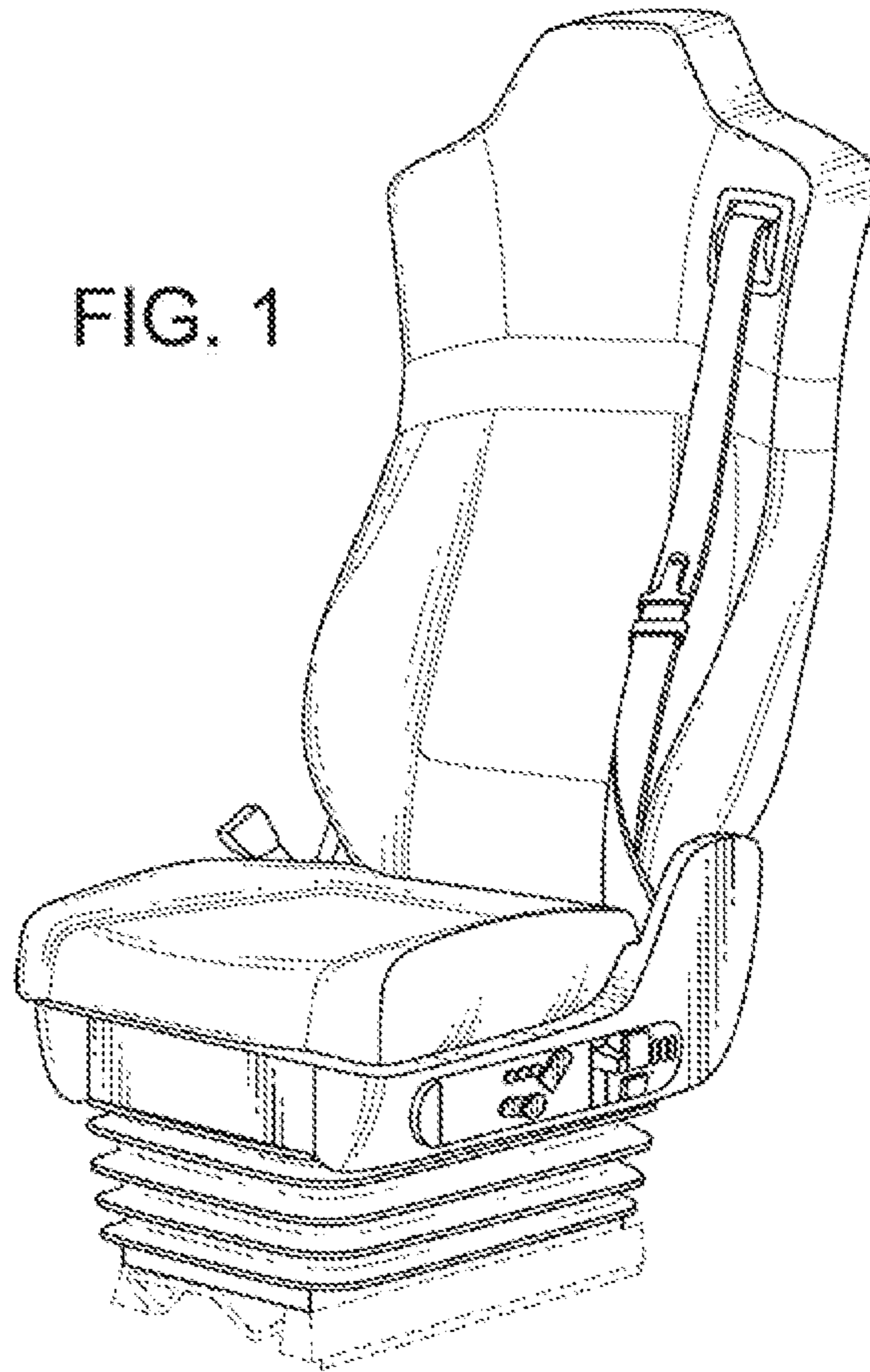


FIG. 6

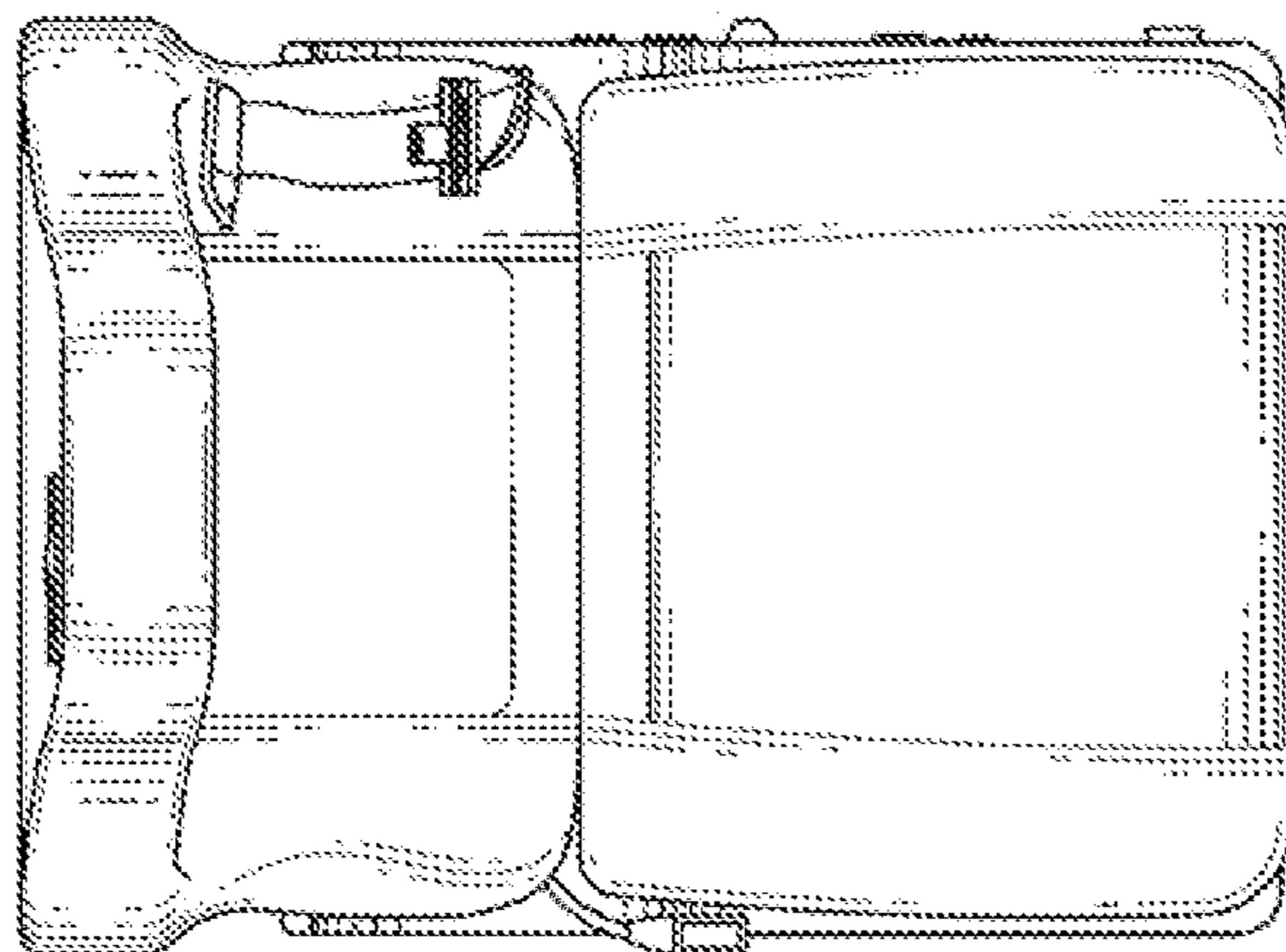


FIG. 3

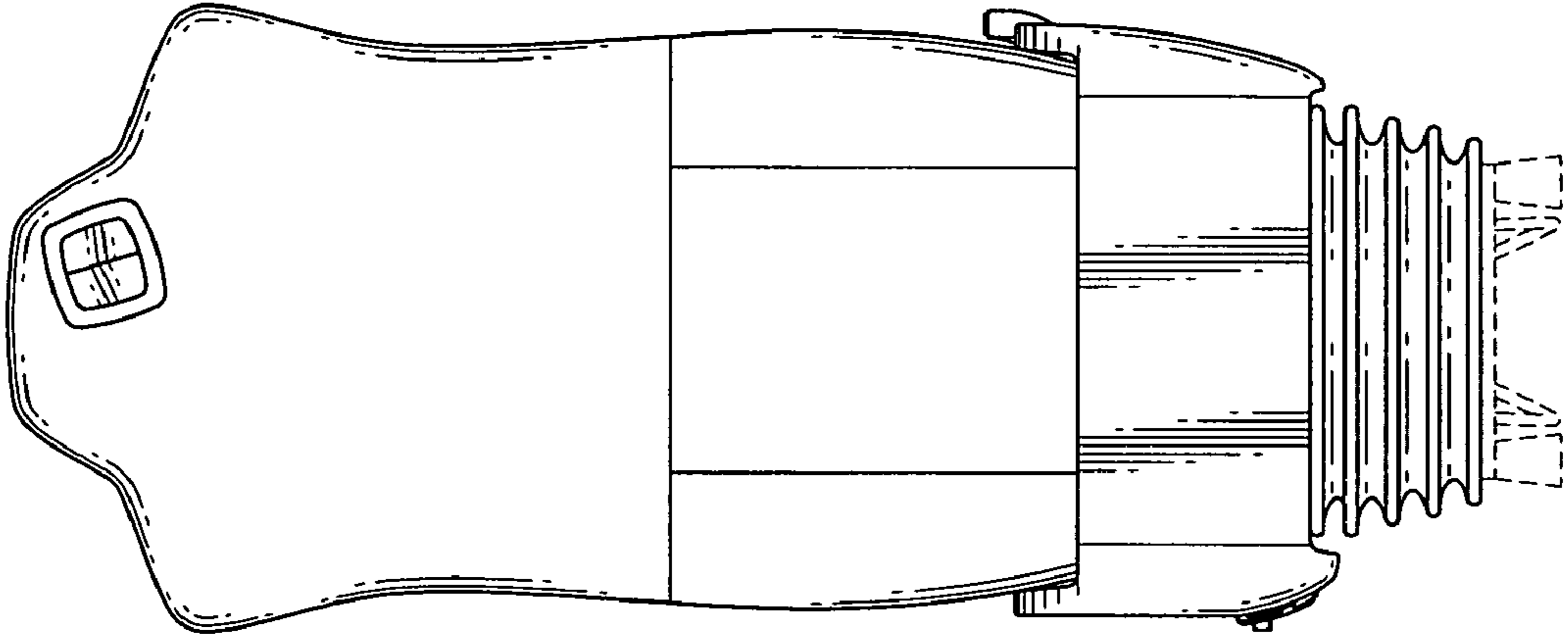


FIG. 2

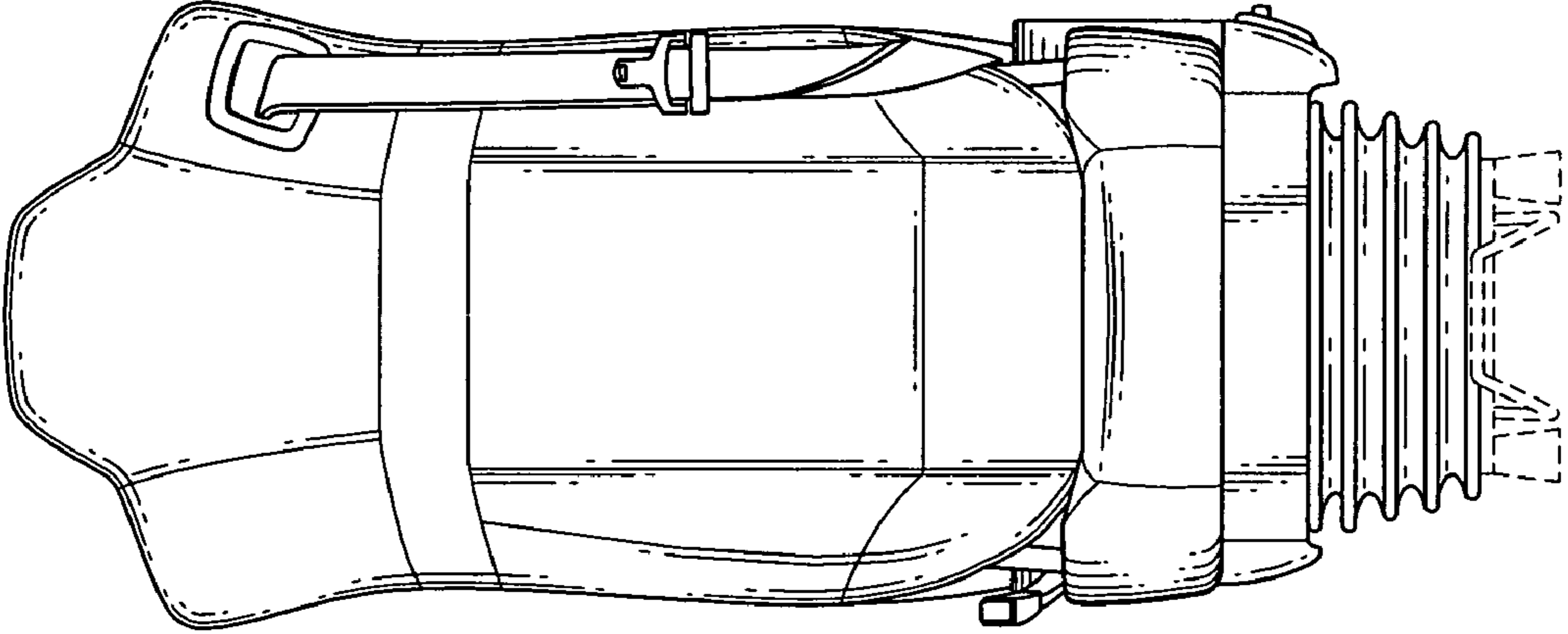


FIG. 5

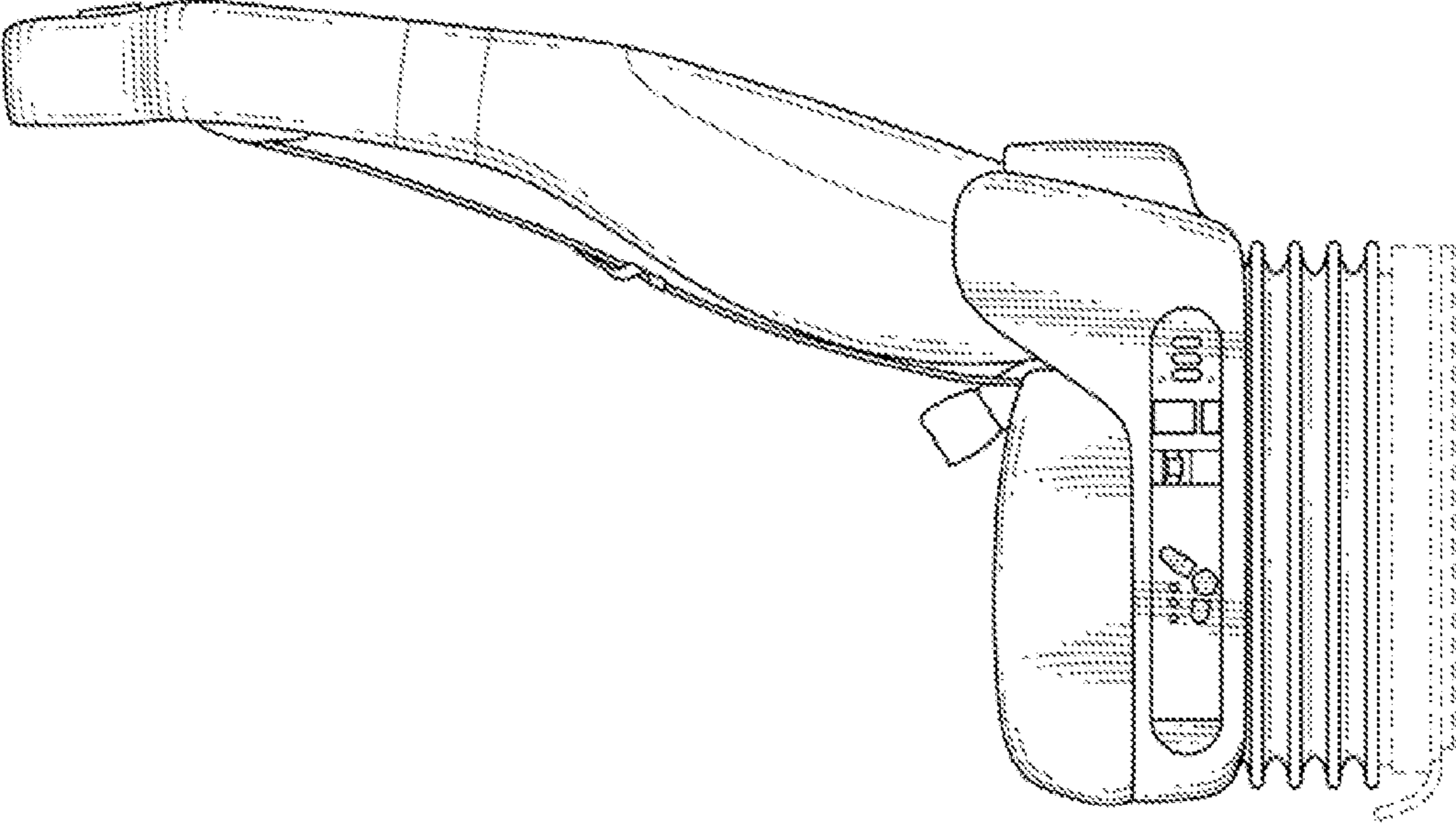


FIG. 4

