



US00D612160S

(12) **United States Design Patent**
Carino

(10) **Patent No.:** **US D612,160 S**
(45) **Date of Patent:** **** Mar. 23, 2010**

(54) **FOLDING WORSHIP STAND**

(57) **CLAIM**

(76) **Inventor:** **Leonora P. Carino**, 738 Military East,
Benicia, CA (US) 94510

I claim the ornamental design for a folding worship stand, as shown and described.

(**) **Term:** **14 Years**

DESCRIPTION

(21) **Appl. No.:** **29/337,064**

FIG. 1 is a perspective view of a folding worship stand, illustrated in a deployed position with a pen compartment in a closed position, showing my new design;

(22) **Filed:** **May 14, 2009**

FIG. 2 is a front elevational view thereof, illustrated in the deployed position with the pen compartment in the closed position;

(51) **LOC (9) Cl.** **06-01**

(52) **U.S. Cl.** **D6/330**

(58) **Field of Classification Search** D6/330,
D6/335-338, 340, 349-355, 358, 359, 364,
D6/366, 376, 491, 495, 500-502; 297/16.1,
297/39, 46, 135, 140, 156, 158.3, 158.4,
297/175, 177, 187, 195.1, 195.11, 211, 245,
297/423.1, 423.16, 445.1, 461, 462

FIG. 3 is a rear elevational view thereof, illustrated in the deployed position with the pen compartment in the closed position;

FIG. 4 is a left-side elevational view thereof, illustrated in the deployed position with the pen compartment in the closed position, the right-side elevational view being a mirror image thereof;

See application file for complete search history.

(56) **References Cited**

FIG. 5 is a top plan view thereof, illustrated in the deployed position;

U.S. PATENT DOCUMENTS

- 2,094,209 A * 9/1937 Gilbaugh 297/187
- D160,873 S * 11/1950 Maguolo D6/330
- D219,017 S * 10/1970 Ellsworth D6/330
- D235,285 S * 6/1975 Dawson D6/338
- D263,178 S * 3/1982 Van Linden et al. D6/330
- D369,691 S * 5/1996 Haynes D6/367
- D415,621 S * 10/1999 Queen D6/330
- D461,963 S * 8/2002 Bottoms D6/330

FIG. 6 is a bottom plan view thereof, illustrated in the deployed position;

FIG. 7 is a perspective view thereof, illustrated in the deployed position with the pen compartment in an open position;

* cited by examiner

Primary Examiner—Sandra Snapp

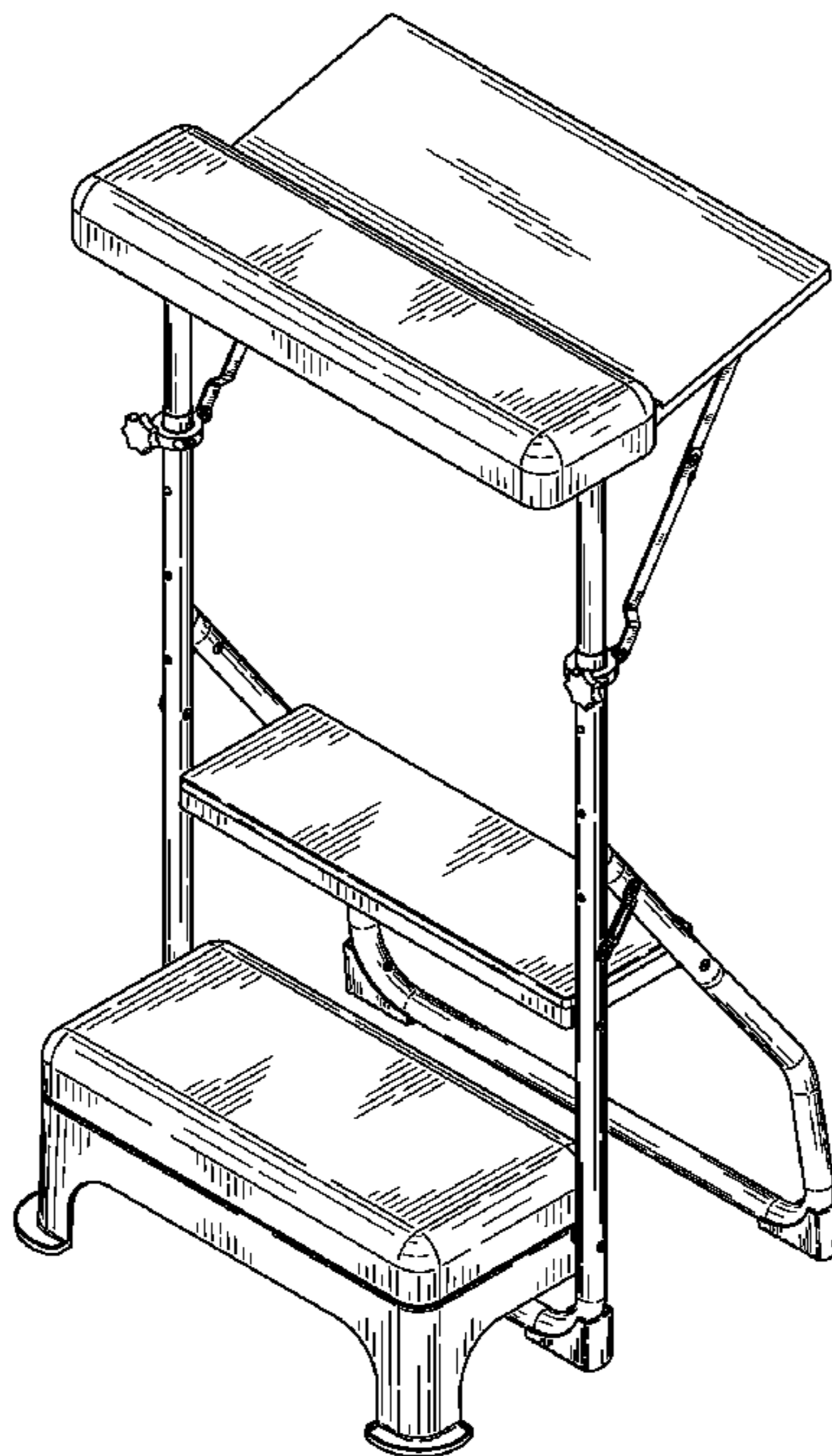
FIG. 8 is a perspective view thereof, illustrated in the deployed position with an arm rest in a lowered position;

(74) *Attorney, Agent, or Firm*—QuickPatents, inc.; Kevin Prince

FIG. 9 is a left-side elevational view thereof, illustrated in a collapsed position; and,

FIG. 10 is a perspective view thereof, illustrated in the collapsed position.

1 Claim, 6 Drawing Sheets



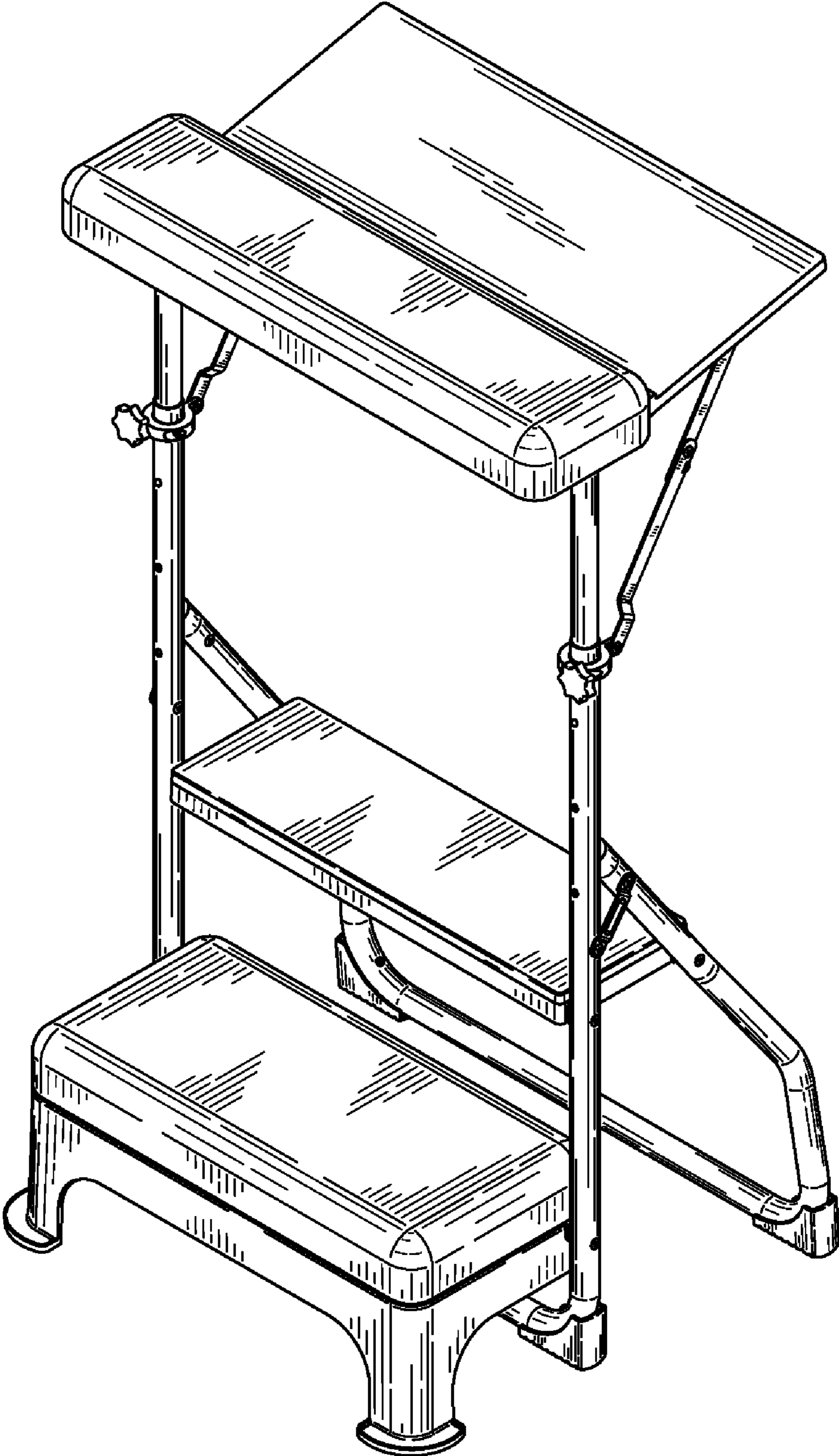


FIG. 1

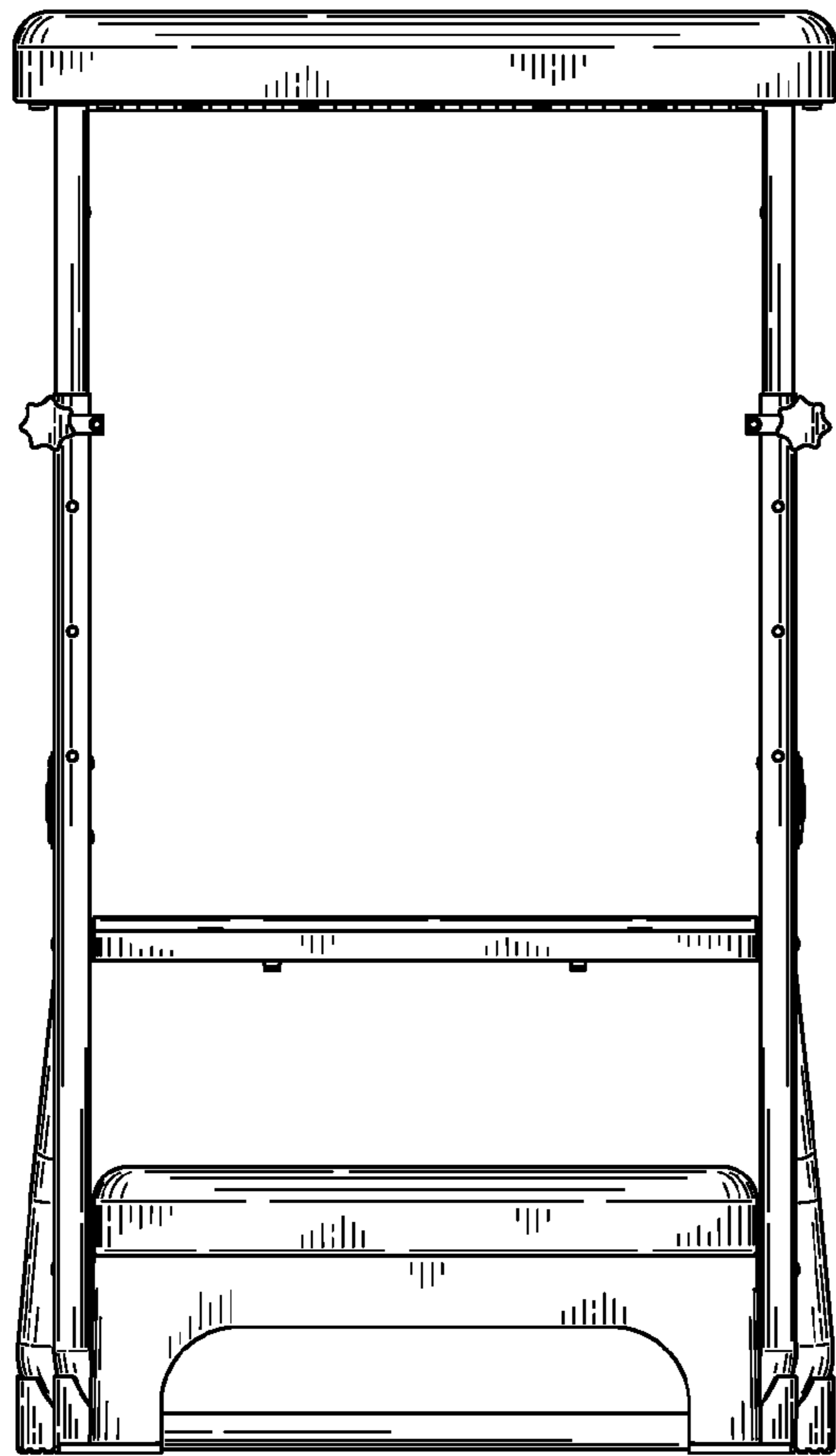


FIG. 2

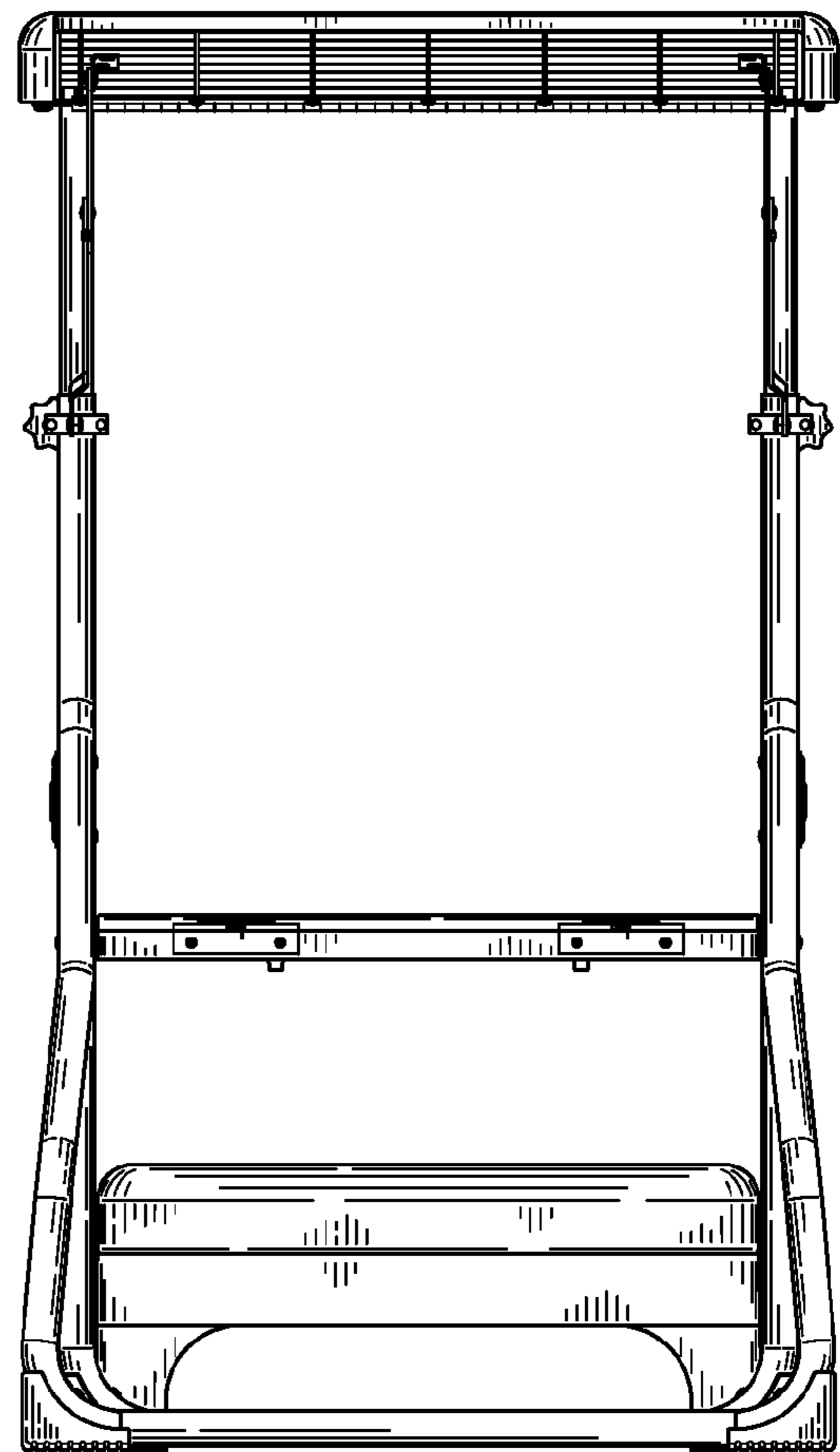


FIG. 3

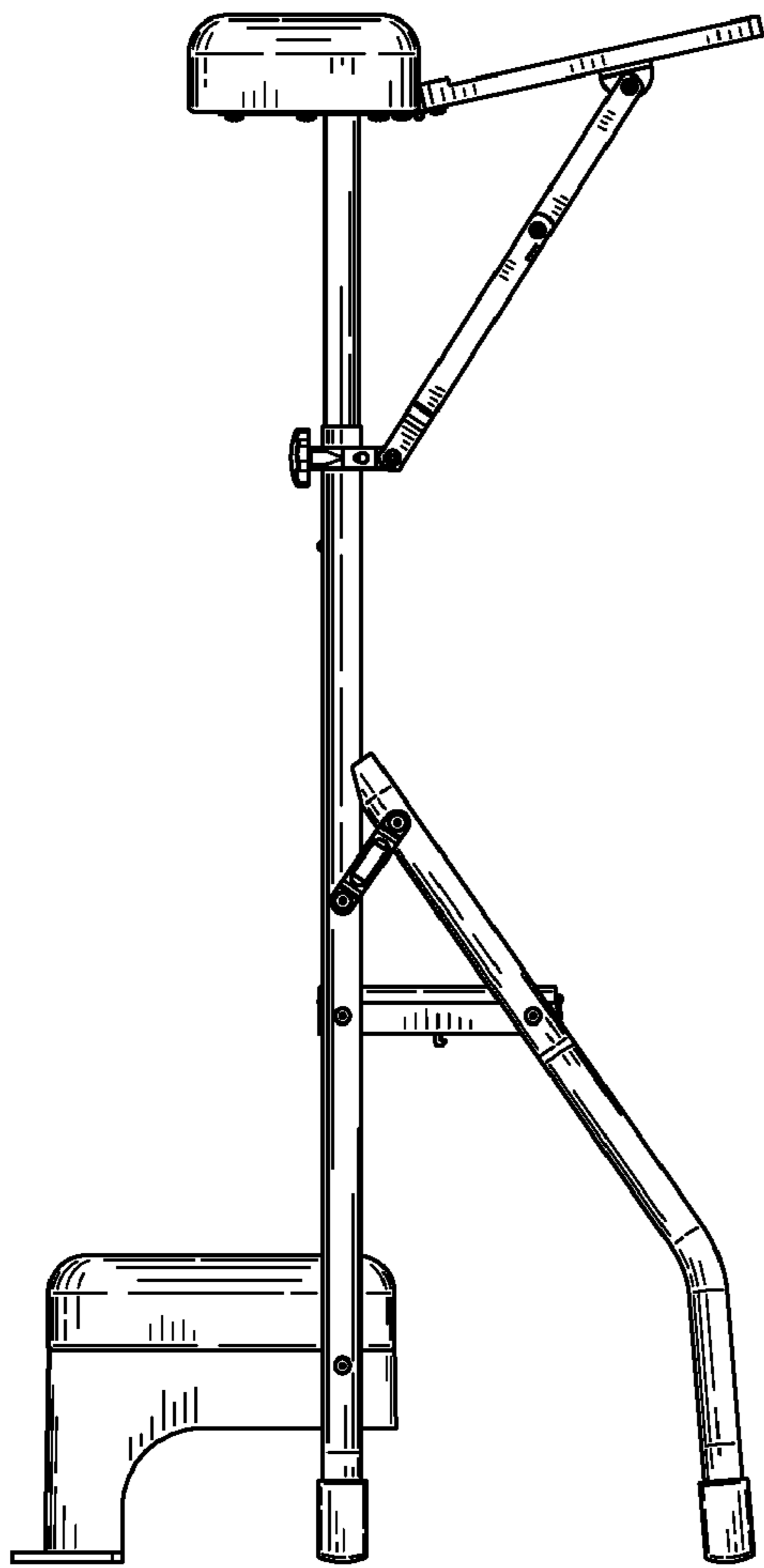


FIG. 4

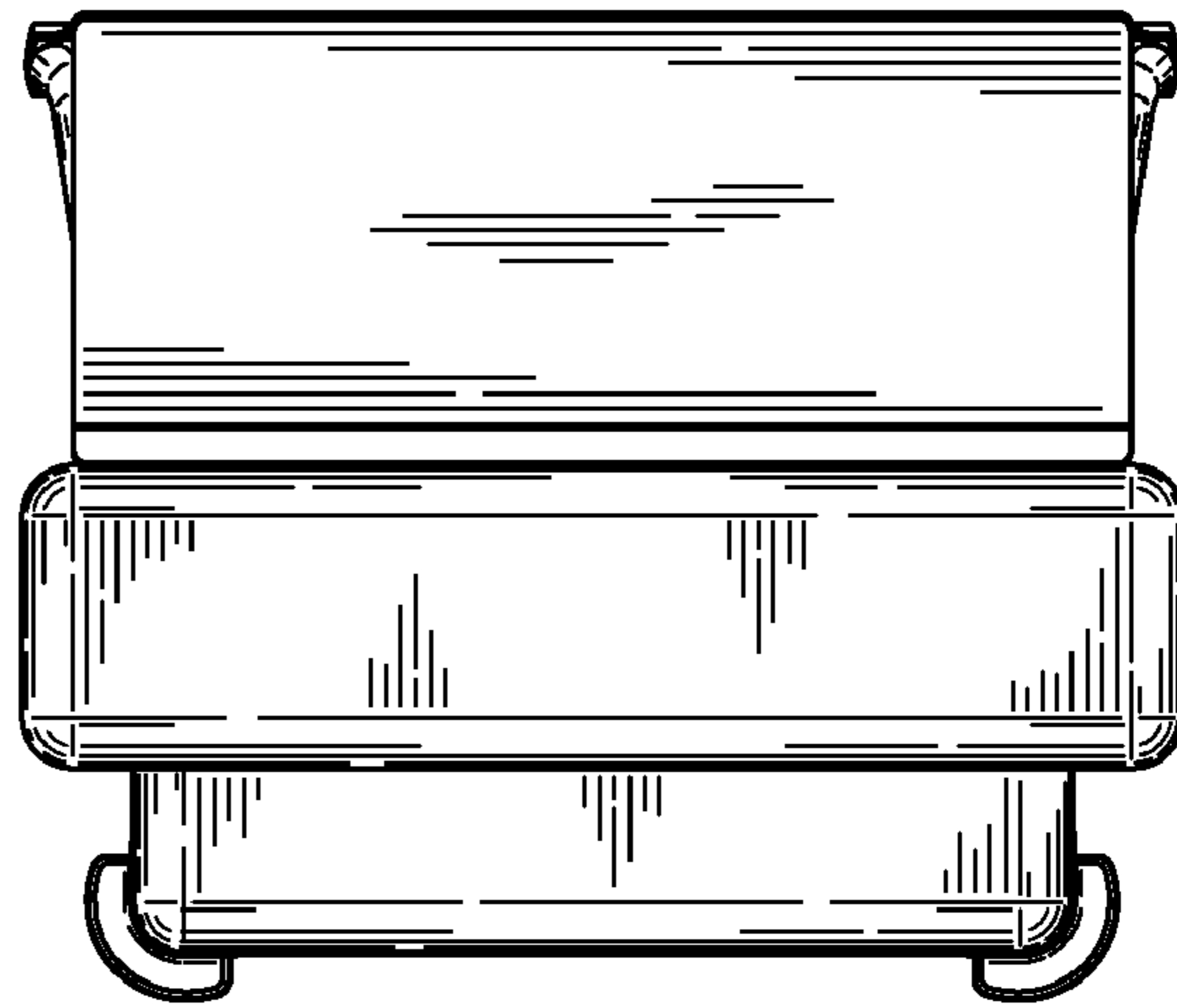


FIG. 5

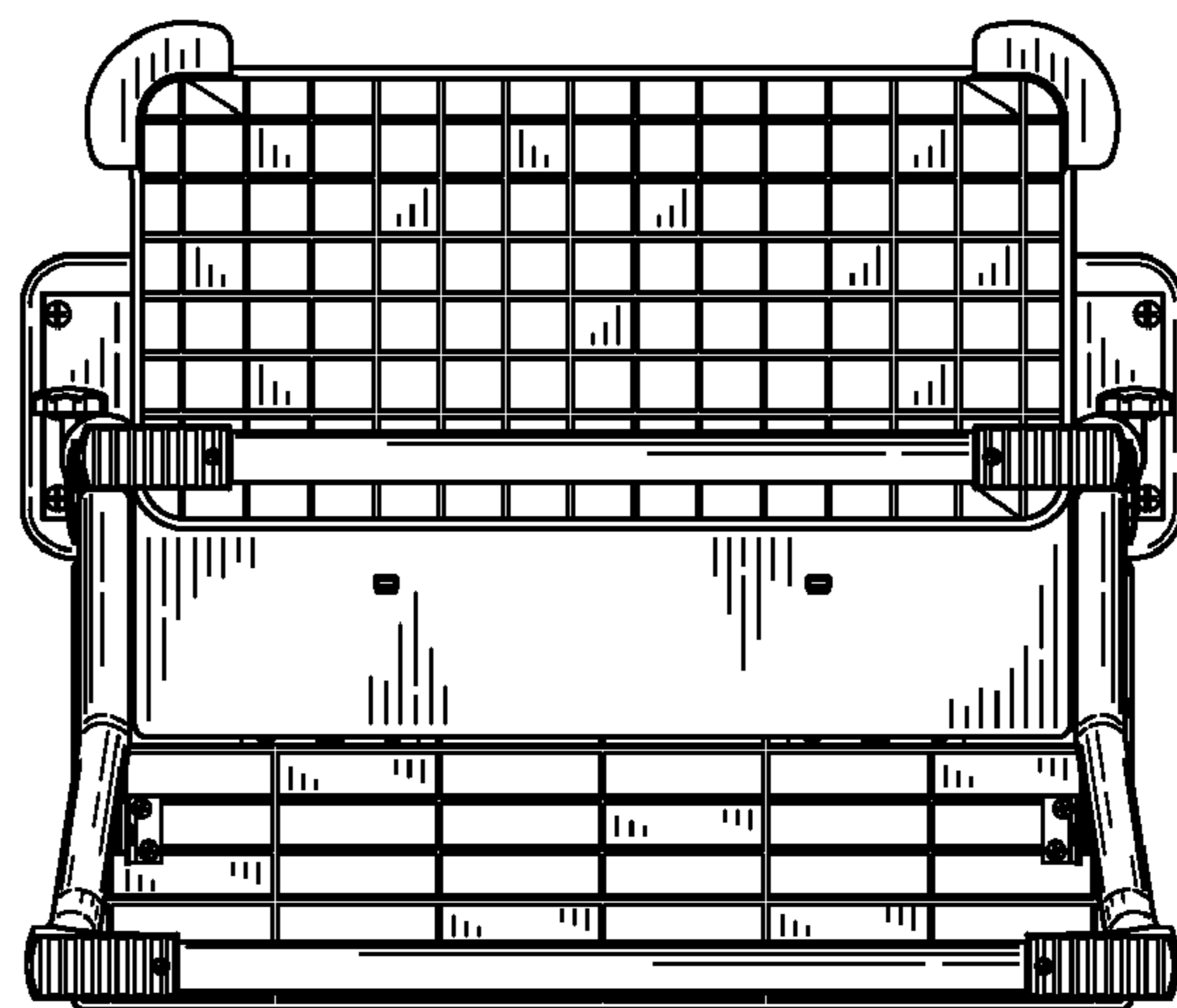


FIG. 6

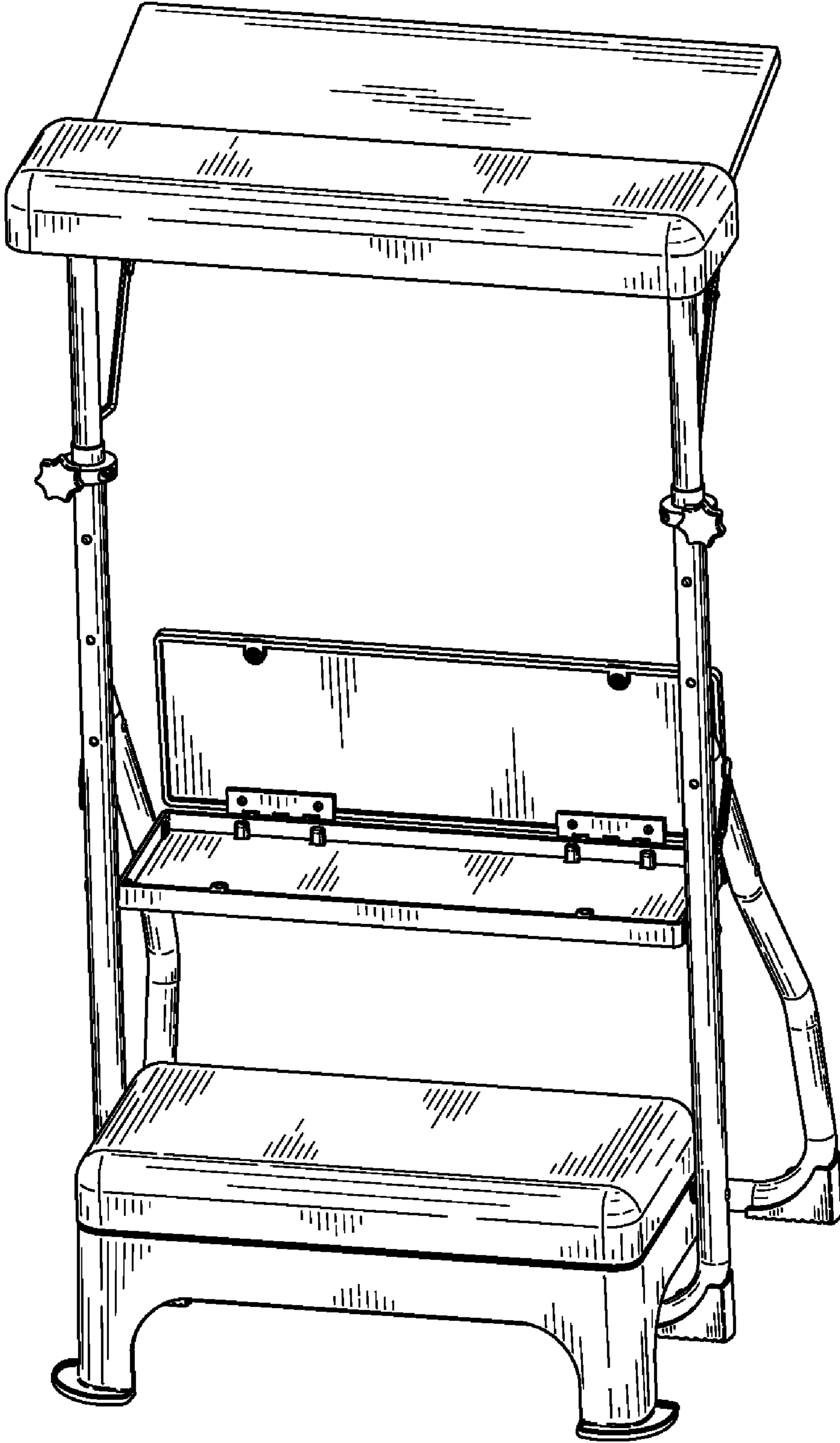


FIG. 7

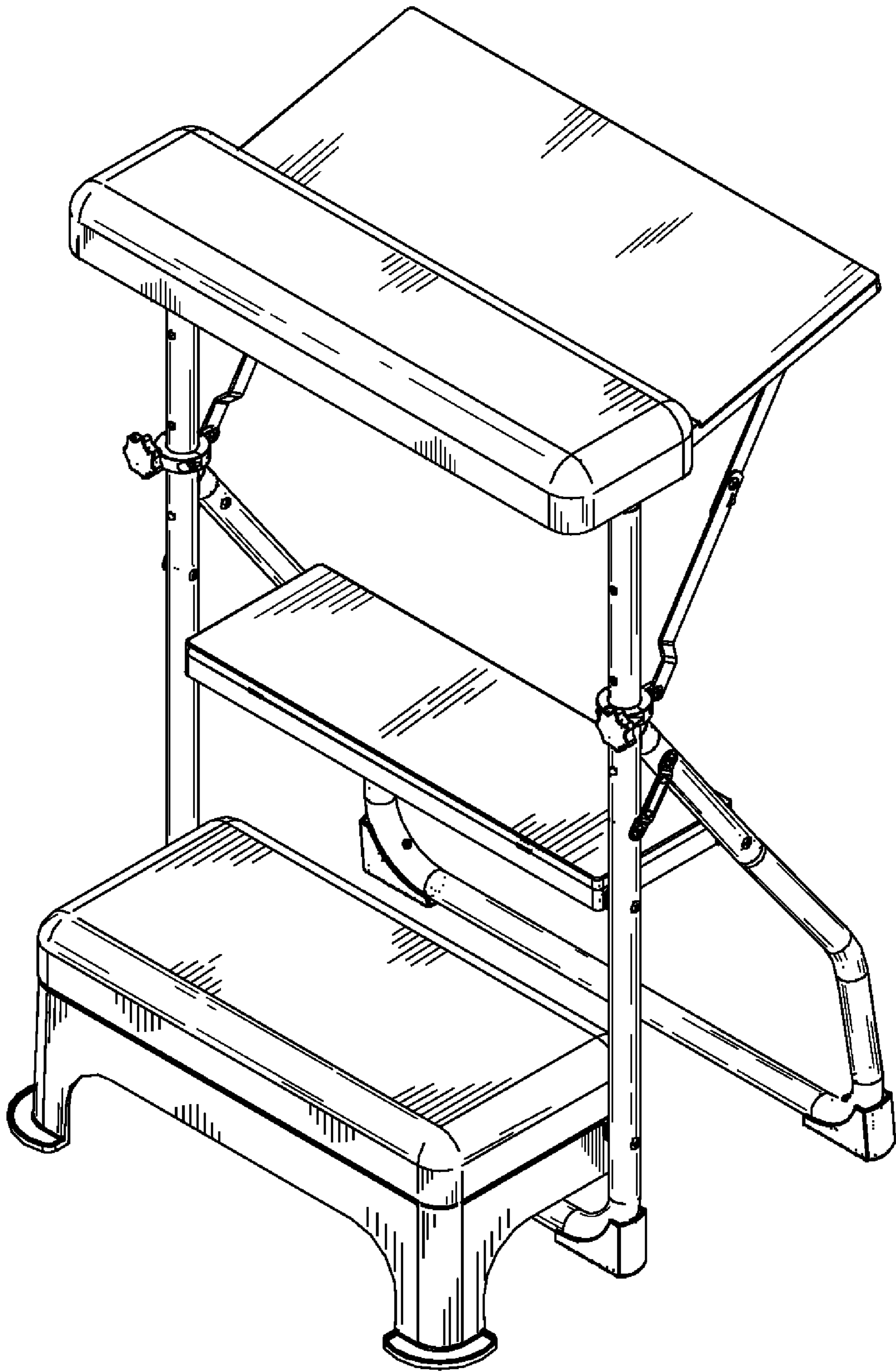


FIG. 8

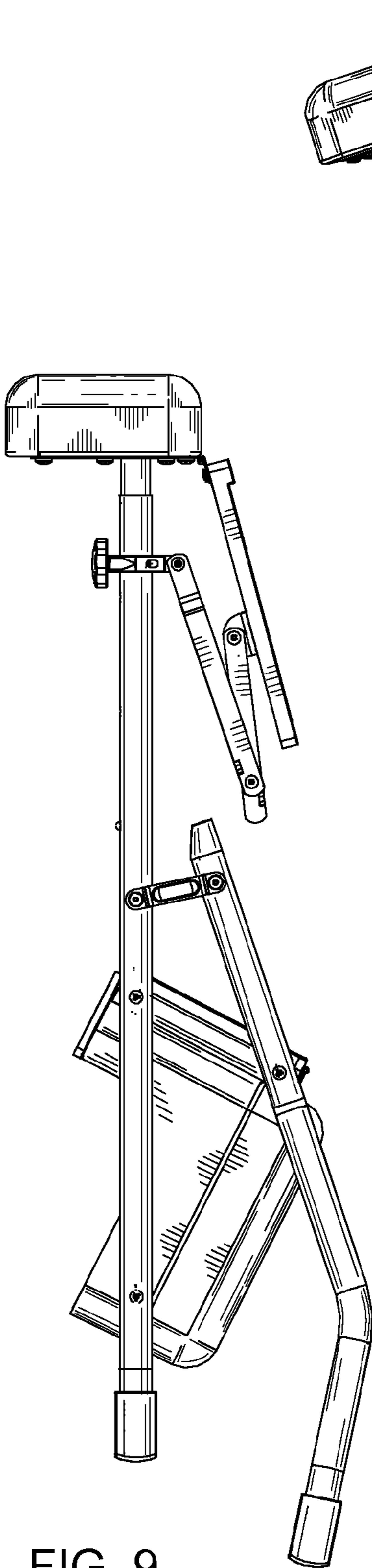


FIG. 9

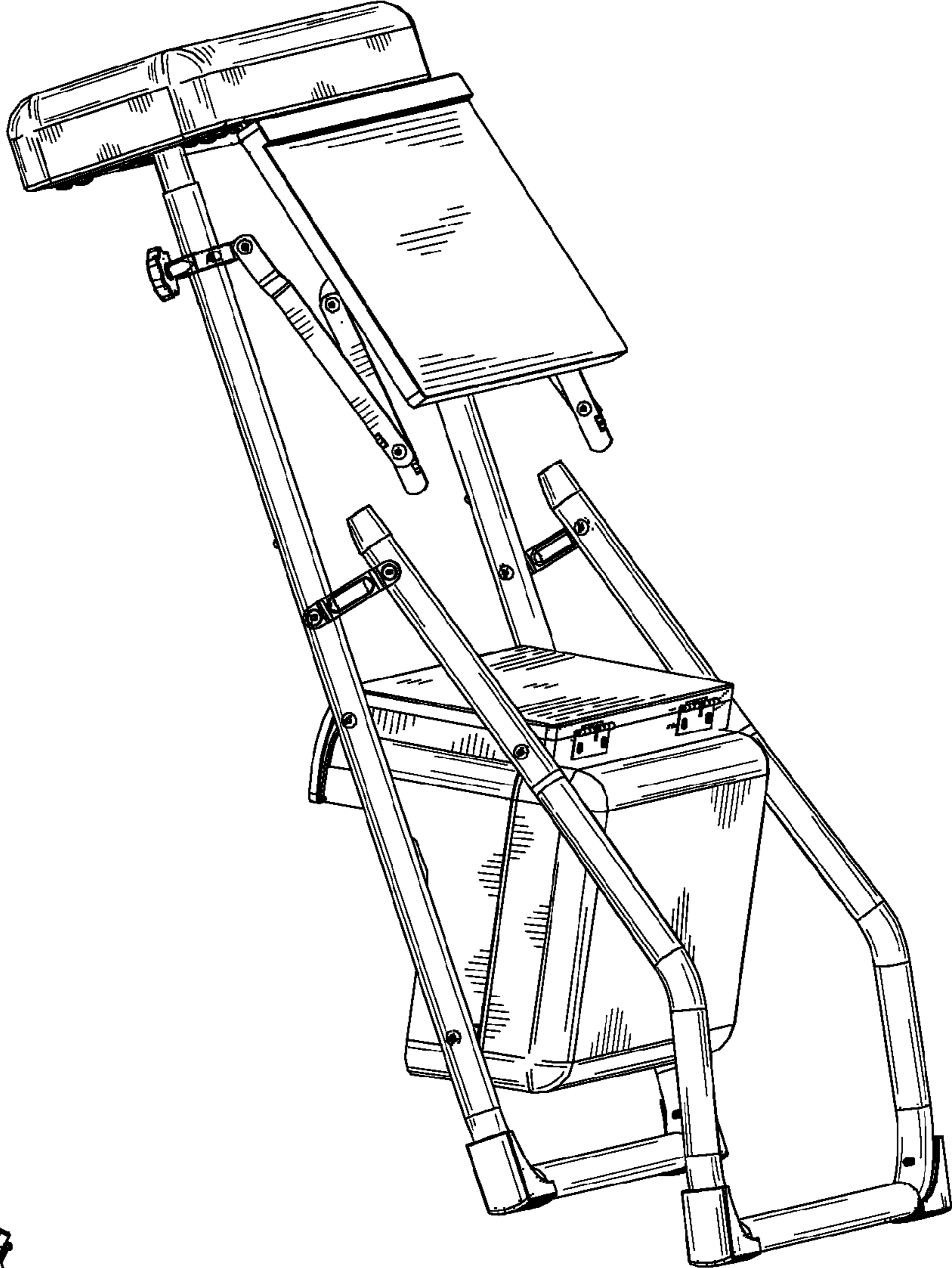


FIG. 10