



US00D612155S

(12) **United States Design Patent**
Falkins et al.

(10) **Patent No.:** **US D612,155 S**
(45) **Date of Patent:** **** Mar. 23, 2010**

(54) **GRILL CLEANING DEVICE**

(76) Inventors: **James D. Falkins**, 23202 McEvoy Road,
Mt. Brydges, ON (CA) N0L 1W0;
Sandra R. Falkins, 23202 McEvoy
Road, Mt. Brydges, ON (CA) N0L 1W0

(**) Term: **14 Years**

(21) Appl. No.: **29/343,973**

(22) Filed: **Sep. 22, 2009**

(51) **LOC (9) Cl.** **04-02**

(52) **U.S. Cl.** **D4/102; D4/118; D4/119;**
D4/122

(58) **Field of Classification Search** D4/100,
D4/102, 118, 119, 122, 138; D32/42, 46,
D32/49; 15/21.1, 22.1, 23-27, 106, 111,
15/117, 121, 143.1, 160, 183, 230.11, 236.01,
15/236.02, 236.04, 236.07, 236.1; 30/169,
30/171

See application file for complete search history.

(56) **References Cited**

U.S. PATENT DOCUMENTS

1,817,644	A *	8/1931	Pope	15/24
2,658,218	A *	11/1953	Carreiro	401/203
3,115,659	A *	12/1963	Church	15/230.11
3,196,473	A *	7/1965	Bell	15/23
3,402,414	A	9/1968	Bell	
3,714,674	A *	2/1973	Simoncioni	15/230.11
3,793,782	A	2/1974	Bowling	
4,302,122	A	11/1981	Moya	

4,546,513	A *	10/1985	Hammond	15/105
D345,640	S *	3/1994	Galati	D32/49
5,373,600	A *	12/1994	Stojanovski et al.	15/111
6,041,463	A	3/2000	Stauch	
6,115,866	A	9/2000	Trummer	
6,817,932	B2 *	11/2004	Furey	451/358
D546,066	S *	7/2007	Rothman	D4/122
D567,510	S *	4/2008	Tuli	D4/122

* cited by examiner

Primary Examiner—Melanie H Tung

Assistant Examiner—Lavone D Tabor

(74) *Attorney, Agent, or Firm*—Crossley Patent Law; Mark A. Crossley

(57) **CLAIM**

The ornamental design for a grill cleaning device, as shown and described.

DESCRIPTION

FIG. 1 is a top plan view of a grill cleaning device showing our new design;

FIG. 2 is a bottom plan view thereof;

FIG. 3 is a right side elevation view thereof, the opposite side being a mirror image of the side shown;

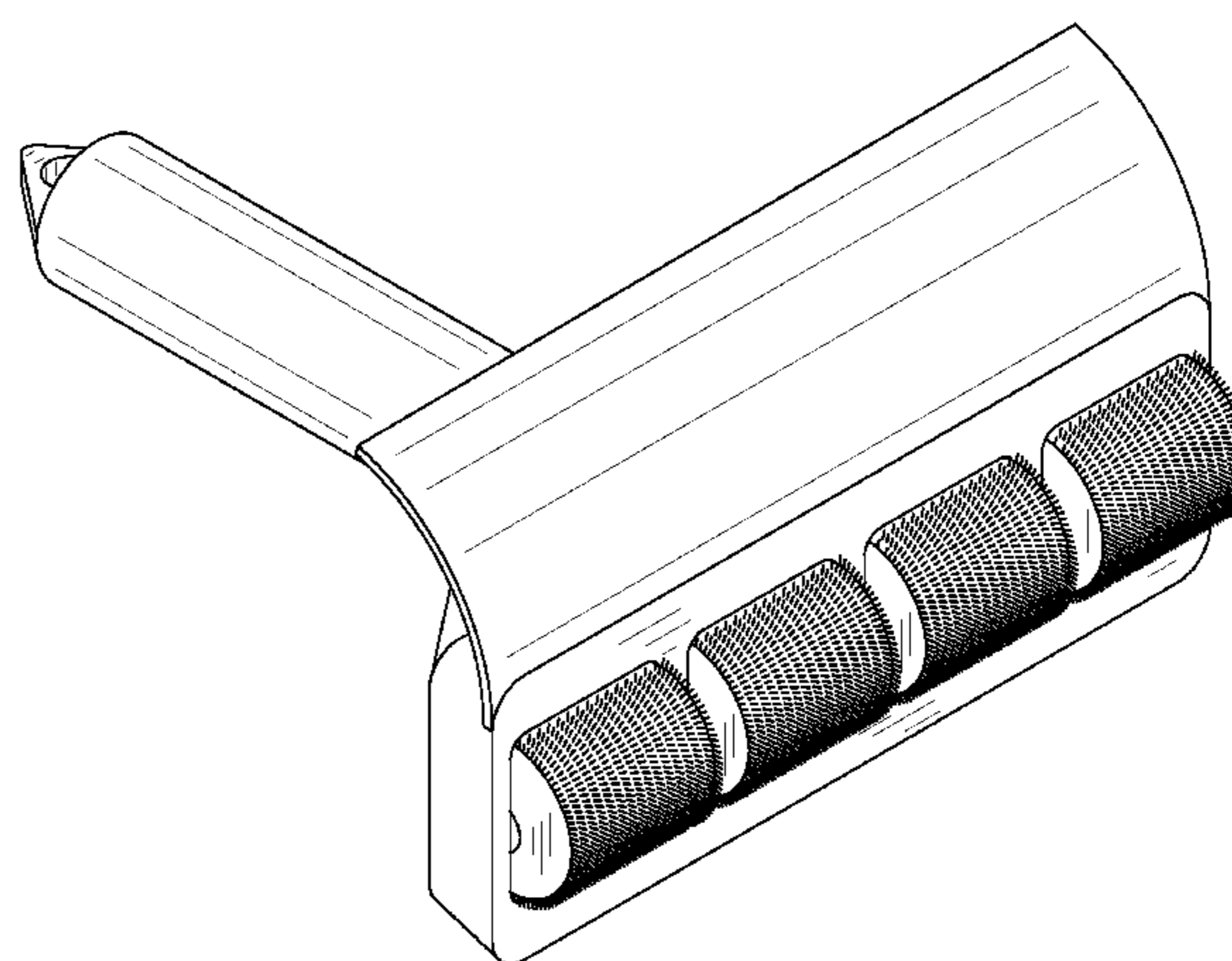
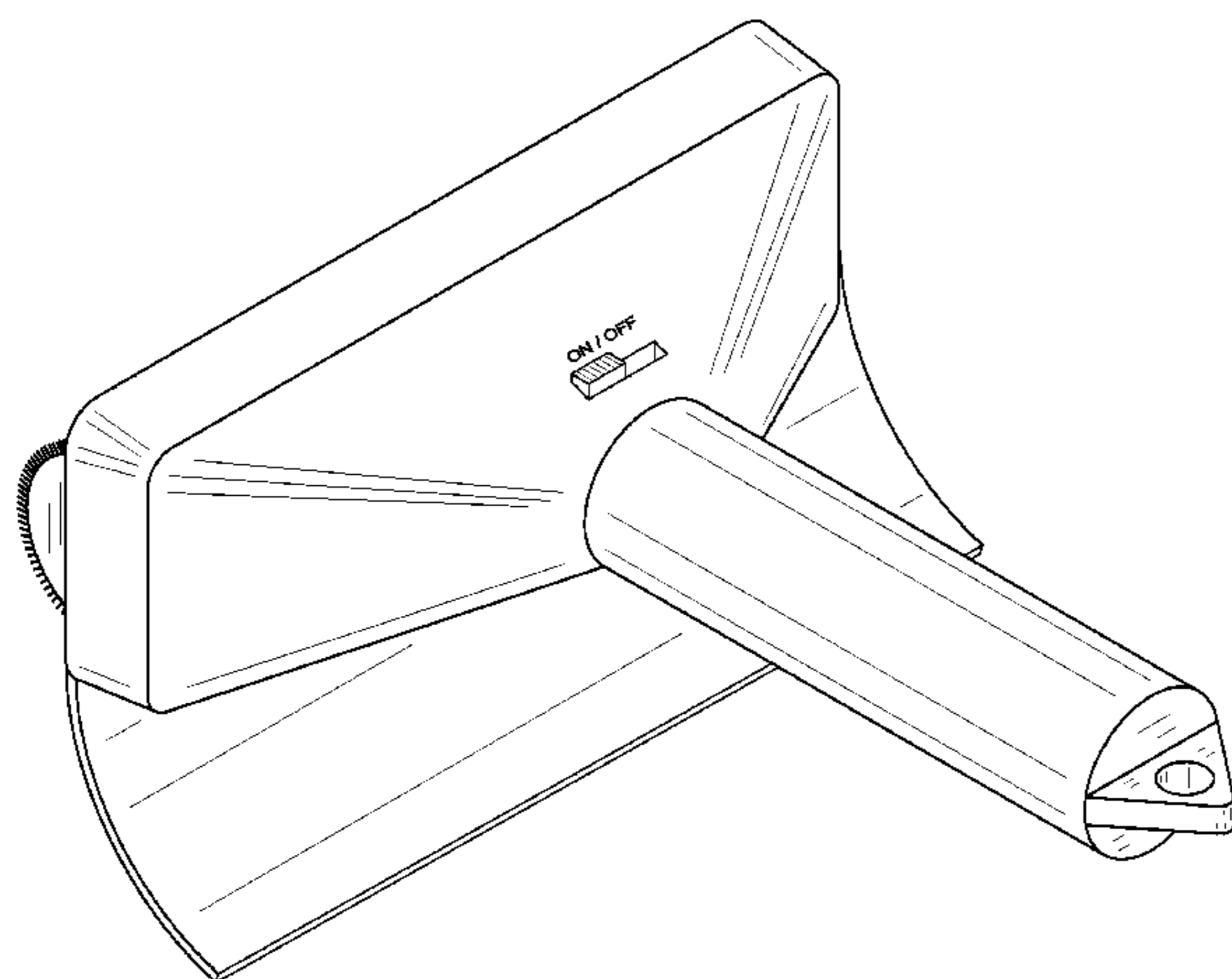
FIG. 4 is a front elevation thereof;

FIG. 5 is a rear elevation view thereof;

FIG. 6 is a rear isometric view thereof; and,

FIG. 7 is a front isometric view thereof.

1 Claim, 6 Drawing Sheets



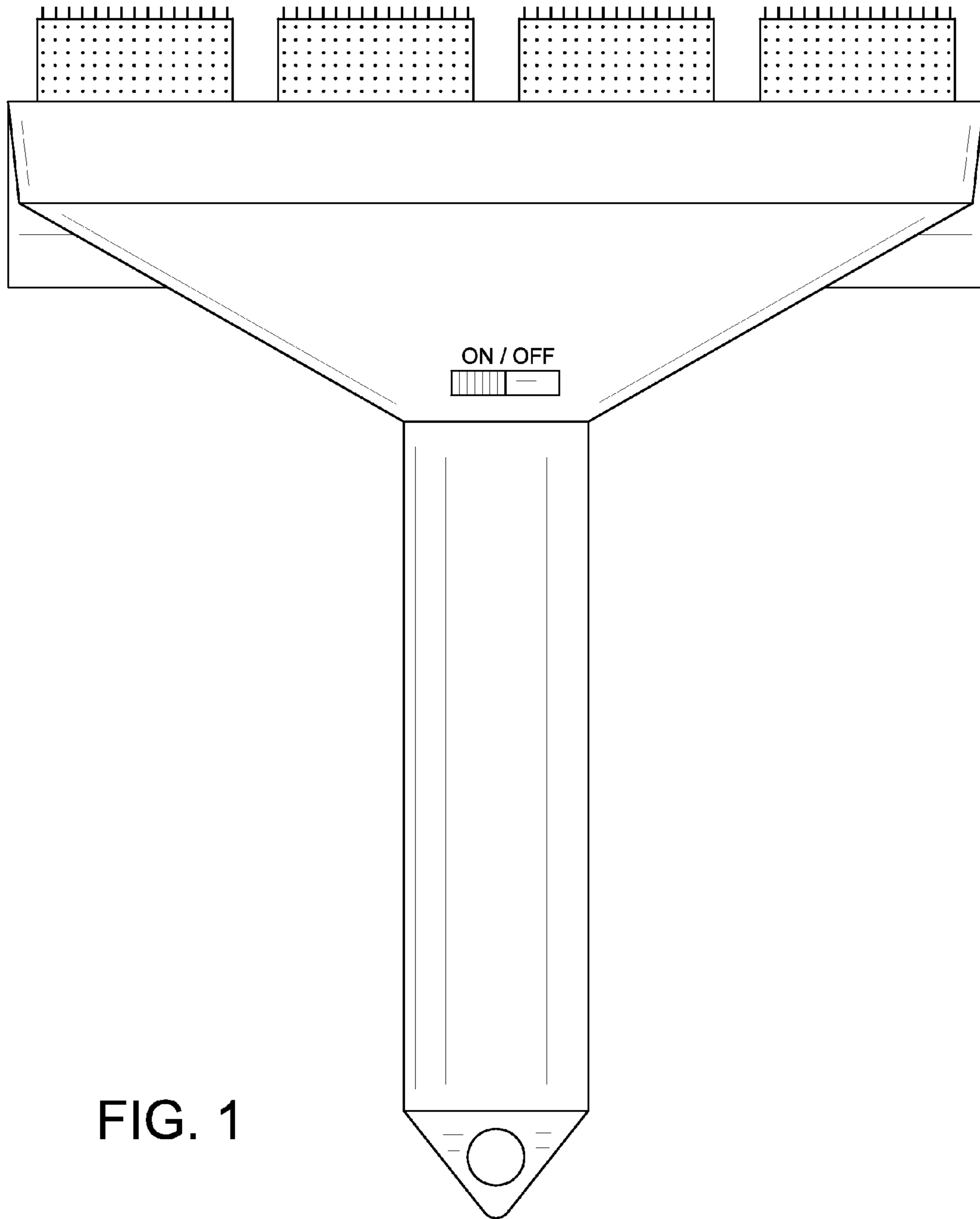


FIG. 1

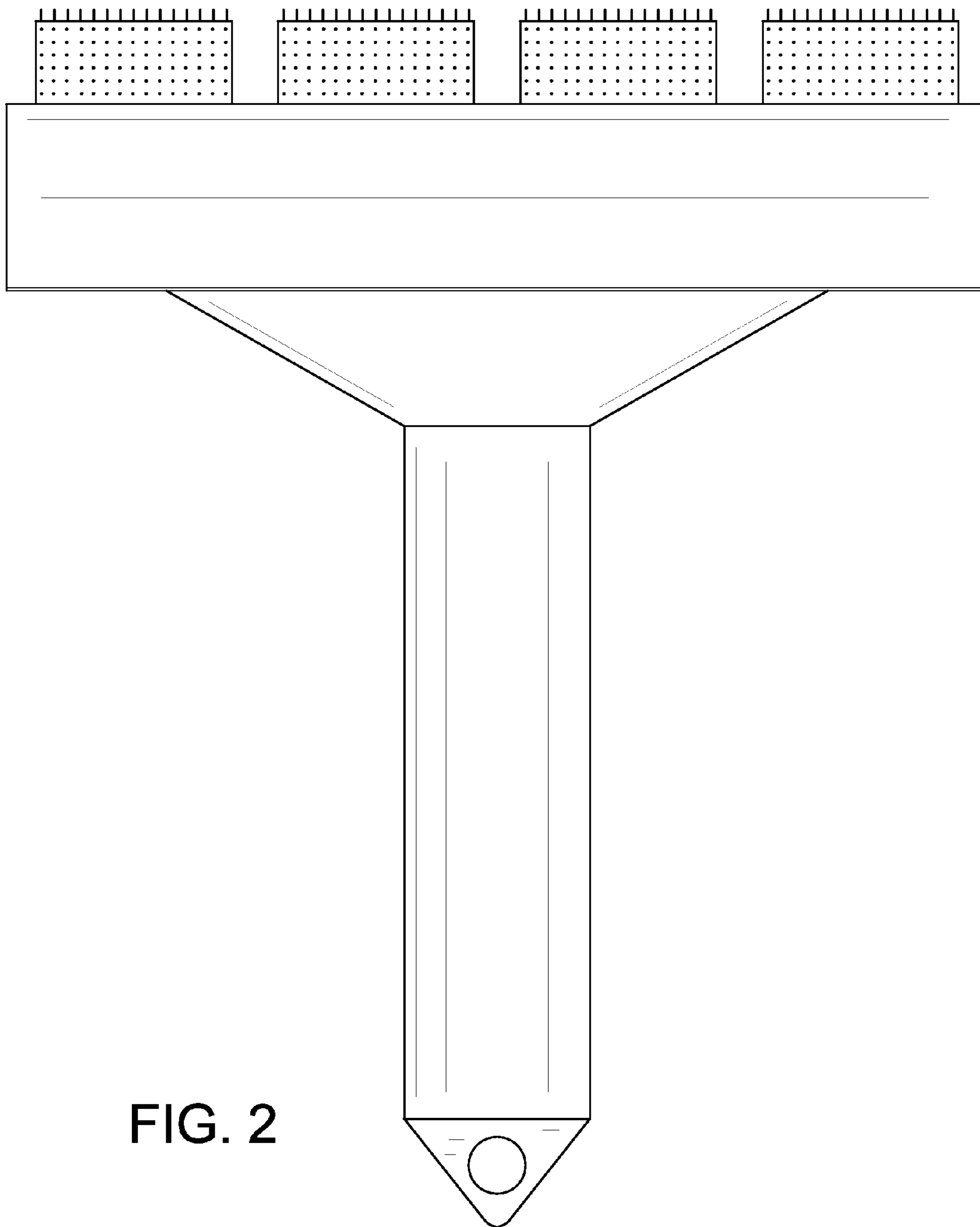


FIG. 2

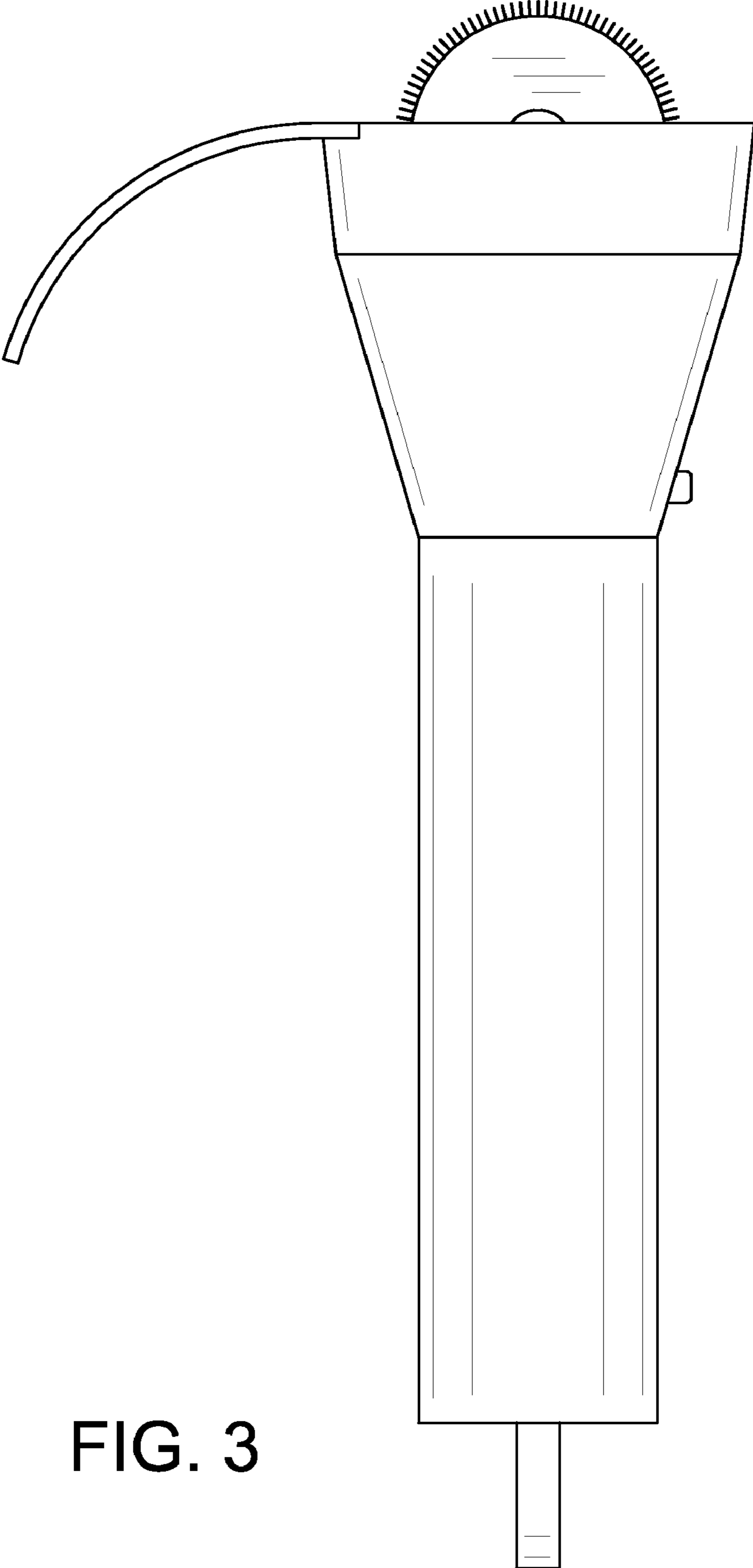


FIG. 3

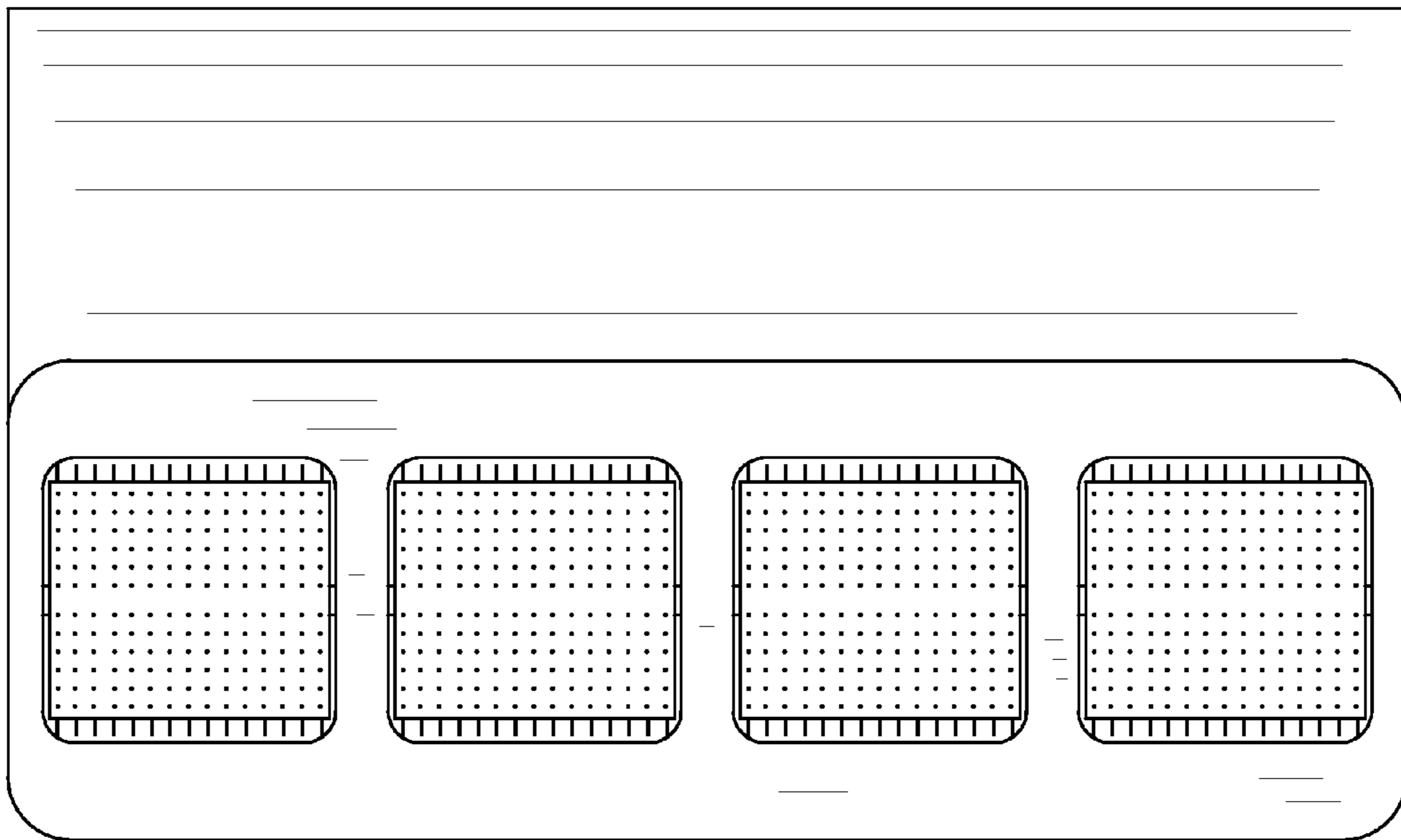


FIG. 4

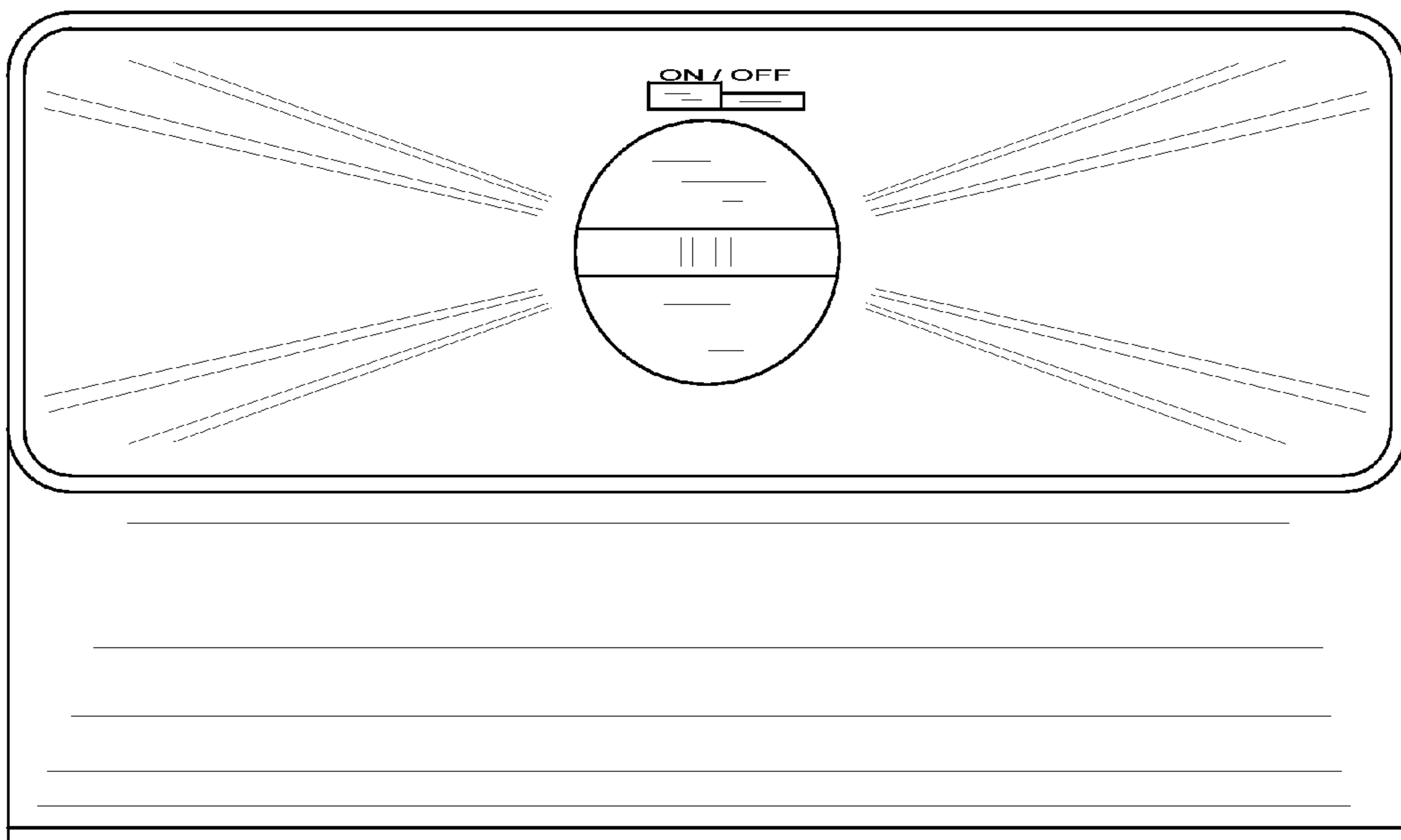


FIG. 5

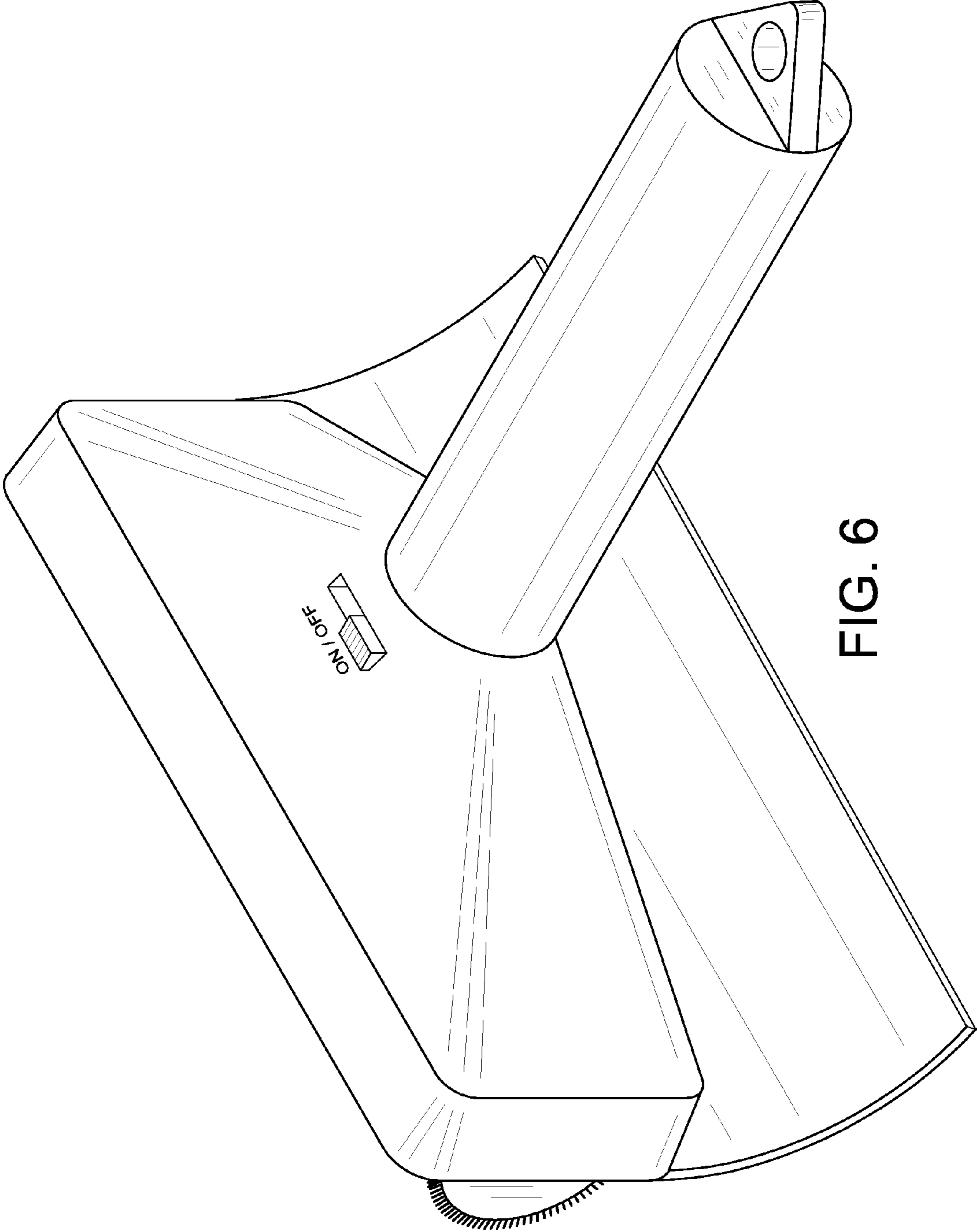


FIG. 6

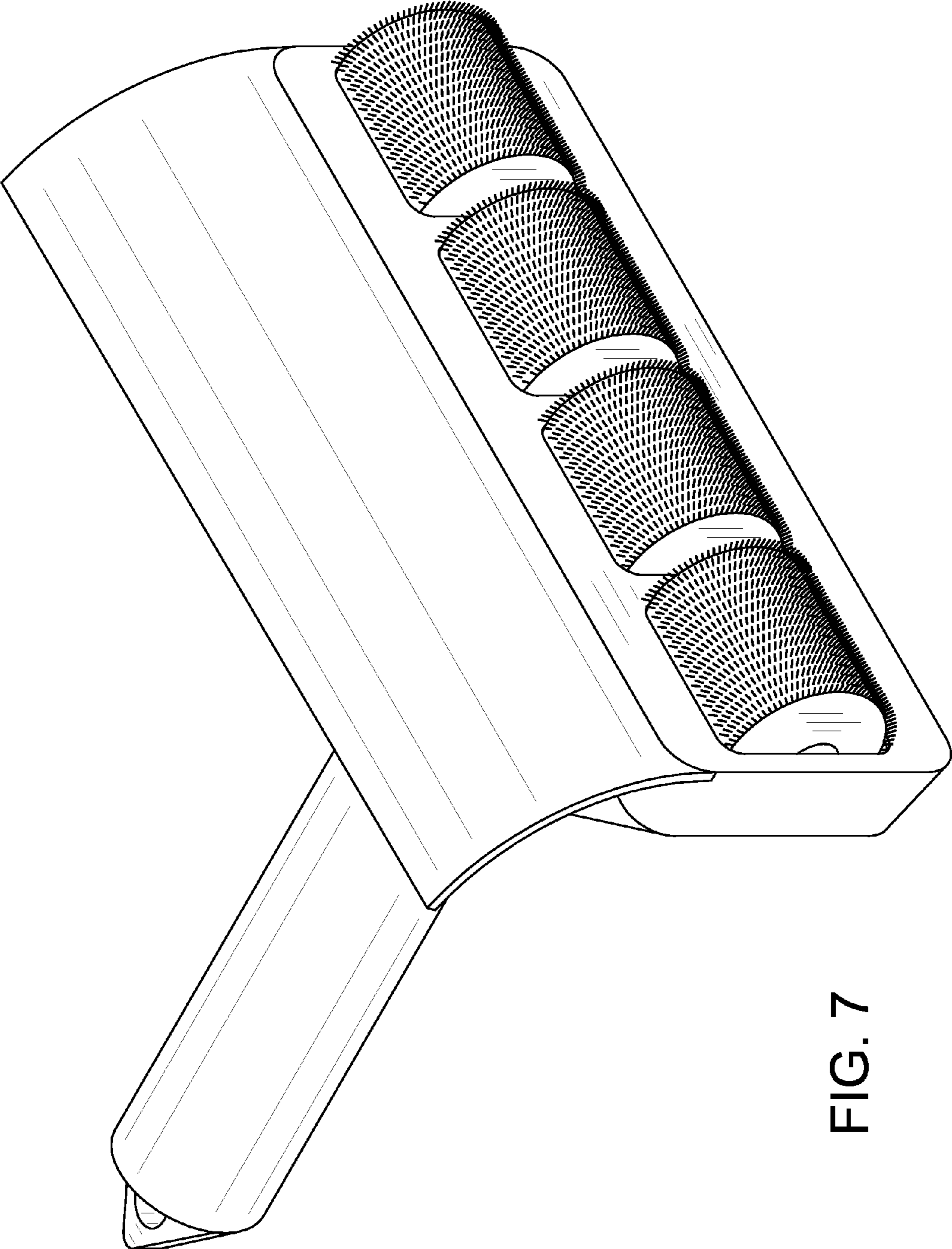


FIG. 7