



US00D612153S

(12) **United States Design Patent**
Liao

(10) **Patent No.:** **US D612,153 S**
(45) **Date of Patent:** **** Mar. 23, 2010**

(54) **UTILITY CONTAINER**

(76) **Inventor:** **Ying-Chieh Liao**, 3F.-5, No. 262, Sec. 2,
Henan Rd., Situn District, Taichung City
407 (TW)

(**) **Term:** **14 Years**

(21) **Appl. No.:** **29/337,189**

(22) **Filed:** **May 17, 2009**

(51) **LOC (9) Cl.** **03-01**

(52) **U.S. Cl.** **D3/304; D3/314**

(58) **Field of Classification Search** D3/304,
D3/305, 314, 205, 206; D6/475, 476; D19/86,
D19/90, 92, 100, 77; 206/203, 214, 215,
206/307.1; 229/100, 913, 914, 406
See application file for complete search history.

(56) **References Cited**

U.S. PATENT DOCUMENTS

3,027,045	A *	3/1962	Wilson	206/505
3,170,594	A *	2/1965	Nascher	206/507
3,379,339	A *	4/1968	Asenbauer	206/506
D246,872	S *	1/1978	White	D3/304
D251,479	S *	4/1979	Cherry	D3/314
D251,586	S *	4/1979	Levenhagen	D9/425
D264,792	S *	6/1982	Conti	D7/584
D268,622	S *	4/1983	Wolters et al.	D3/314
D272,288	S *	1/1984	Pfaff	D3/304
D310,748	S *	9/1990	Embree et al.	D3/304

D316,171	S *	4/1991	Chatham et al.	D3/304
D386,336	S *	11/1997	Douglas	D6/510
D424,805	S *	5/2000	Green	D3/304
D495,491	S *	9/2004	Ramirez et al.	D3/304
D530,920	S *	10/2006	Snell	D3/304
D547,064	S *	7/2007	Snell	D3/304
D549,454	S *	8/2007	Åhman	D3/304

* cited by examiner

Primary Examiner—Robert M Spear
Assistant Examiner—Rashida C McCoy
(74) *Attorney, Agent, or Firm*—Banger Shia

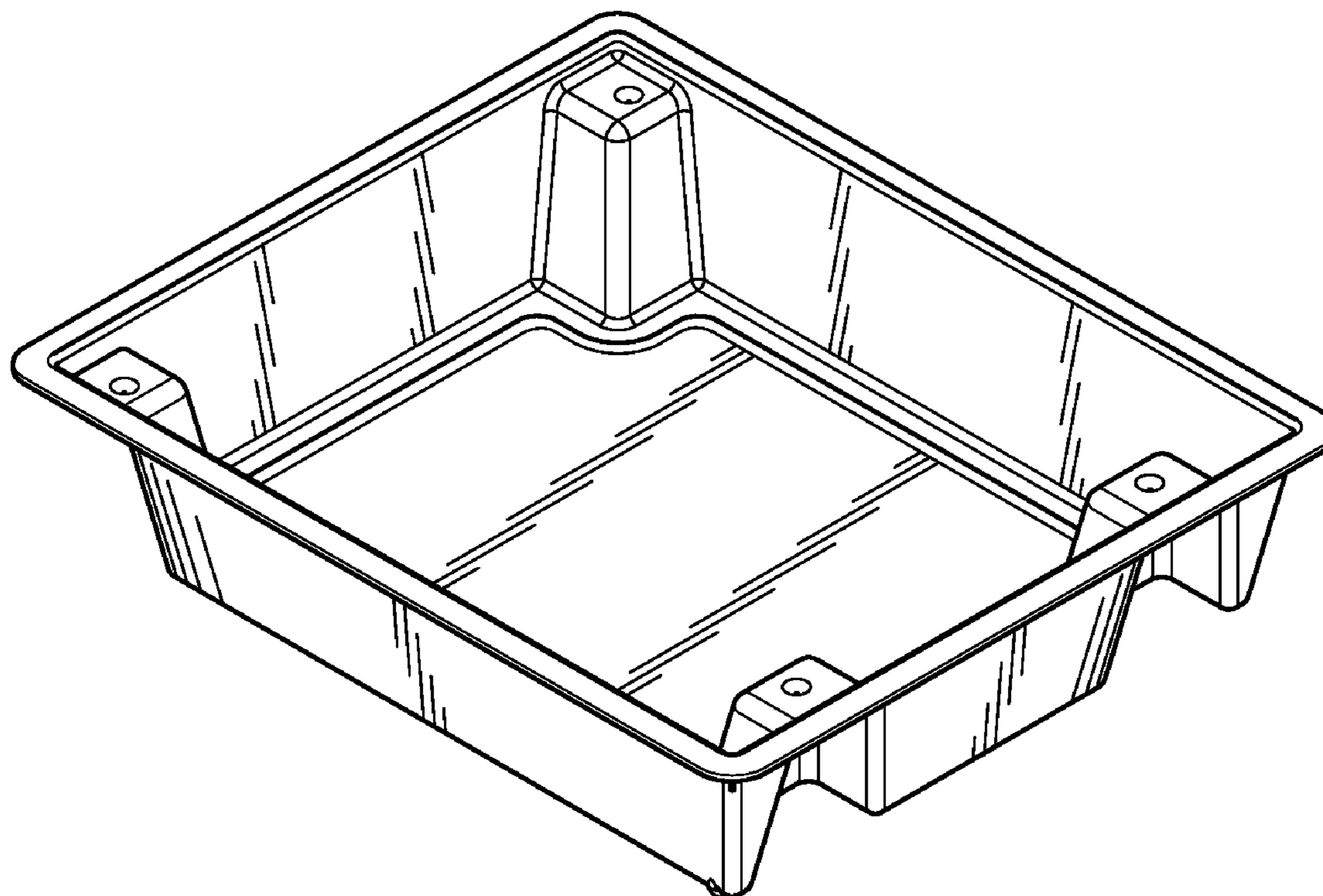
(57) **CLAIM**

I claim the ornamental design for a utility container, as shown and described.

DESCRIPTION

FIG. 1 is a perspective view of a utility container;
FIG. 2 is a front view thereof;
FIG. 3 is a rear view thereof;
FIG. 4 is a left view thereof;
FIG. 5 is a right view thereof;
FIG. 6 is a top plan view thereof;
FIG. 7 is a bottom plan view thereof; and,
FIG. 8 is a perspective view showing my new design for a utility container in another position.

1 Claim, 5 Drawing Sheets



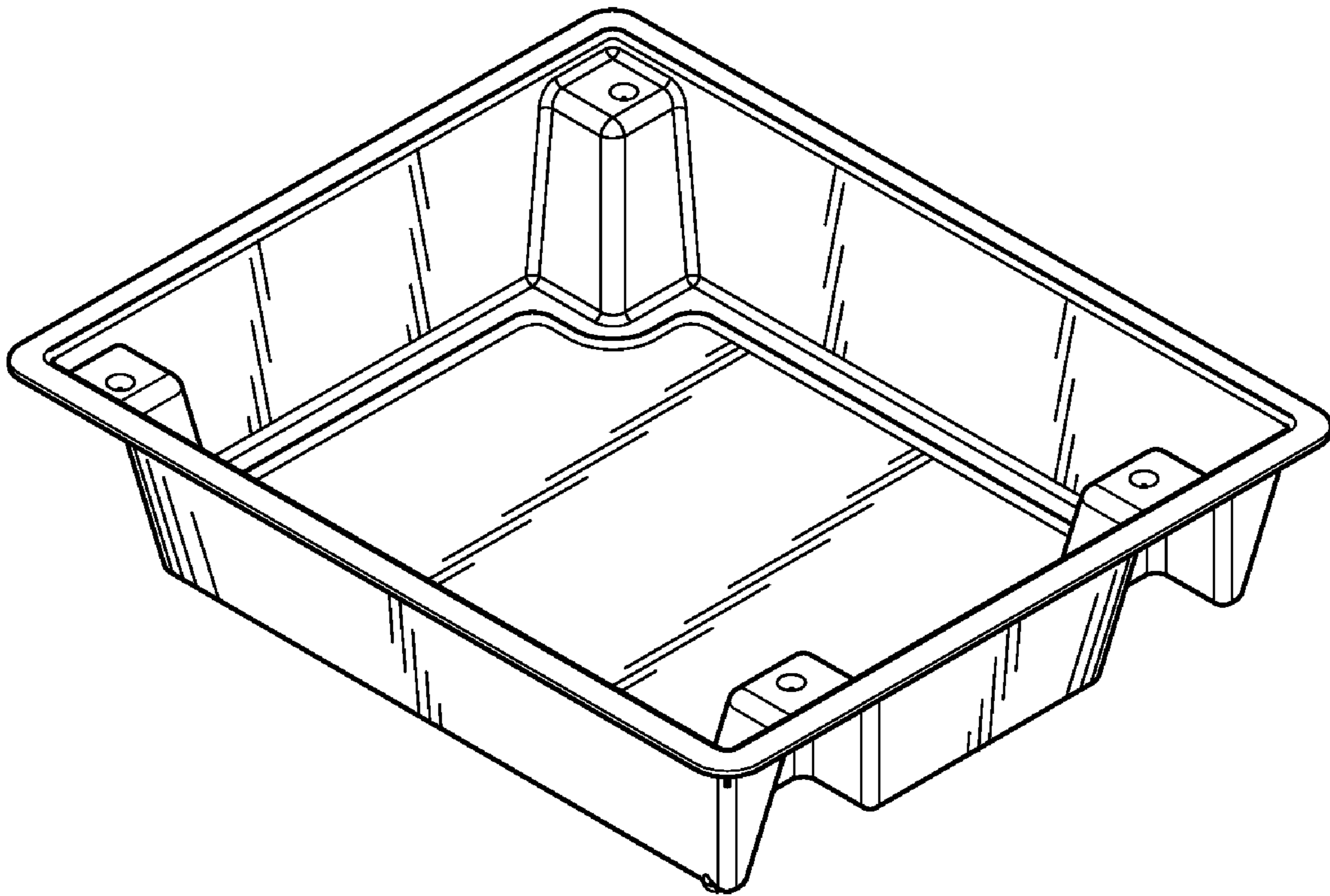


FIG. 1

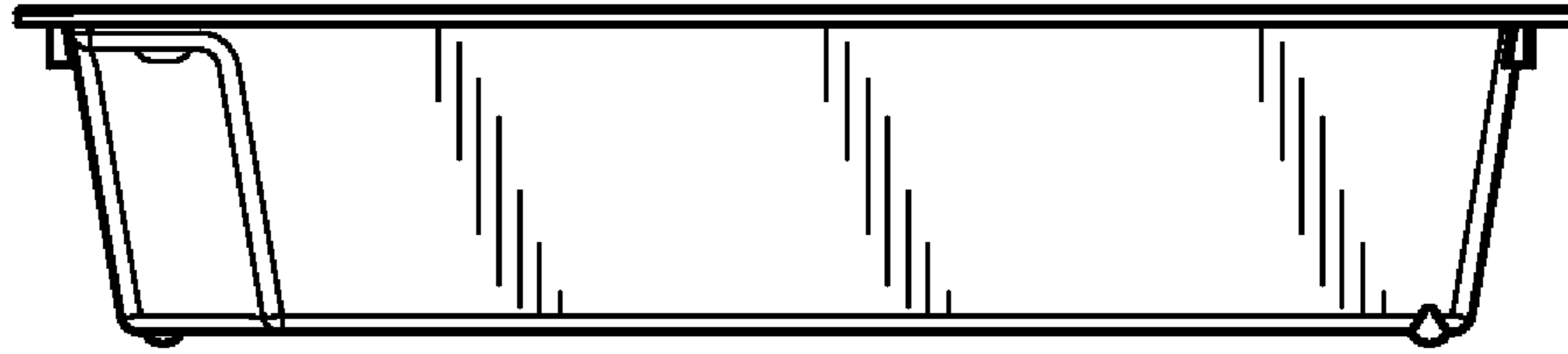


FIG. 2

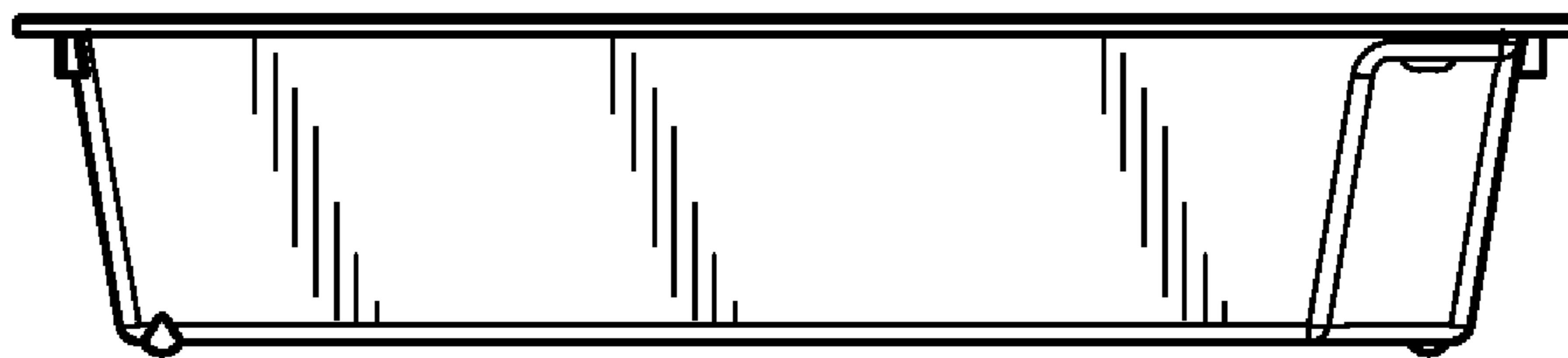


FIG. 3

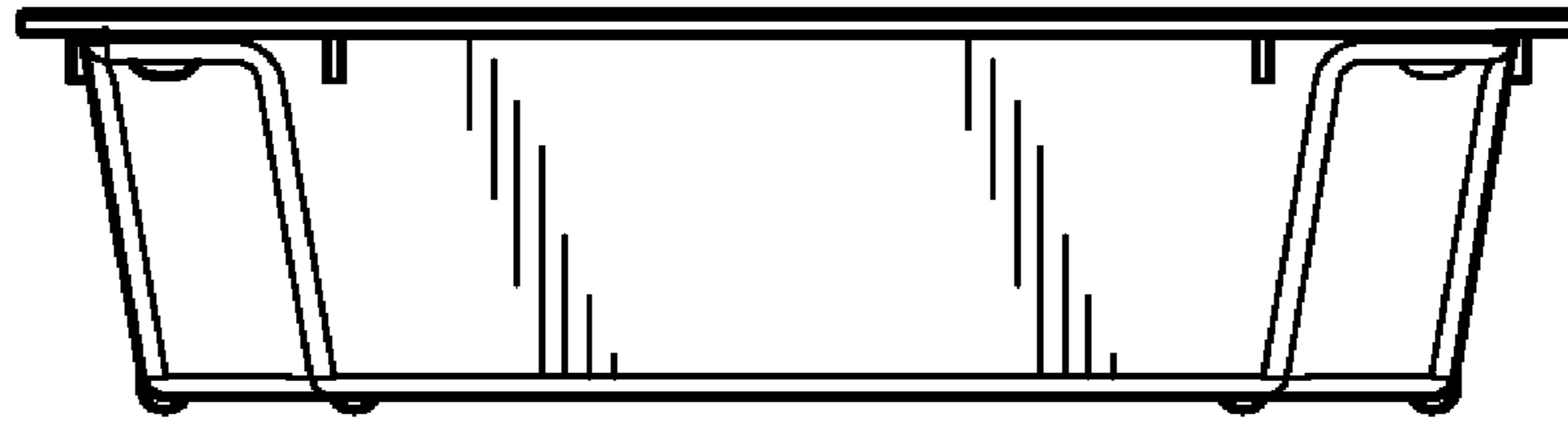


FIG. 4

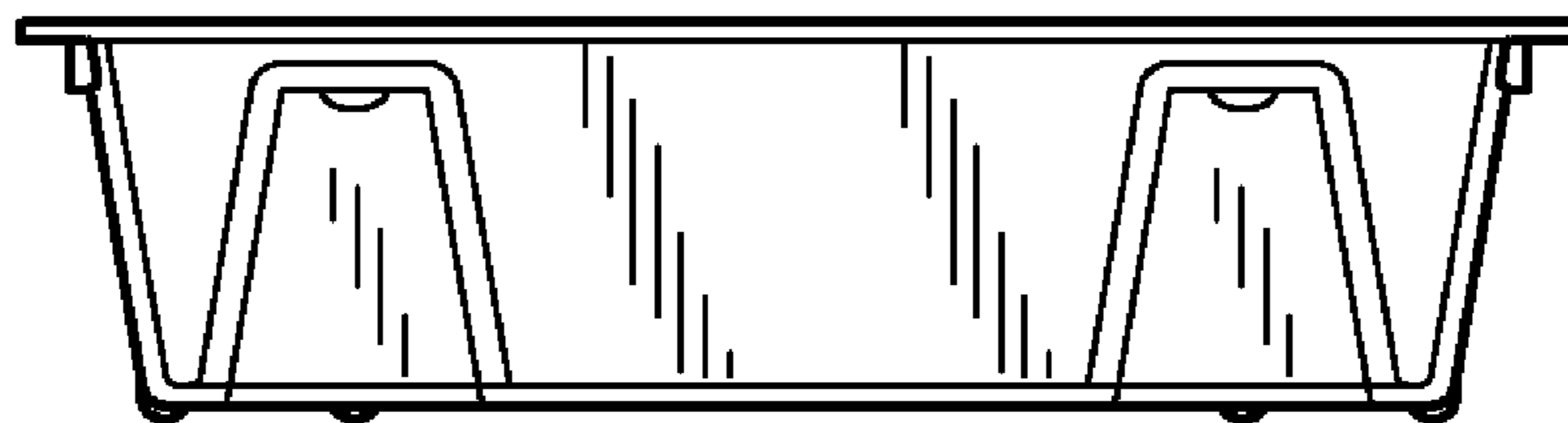


FIG. 5

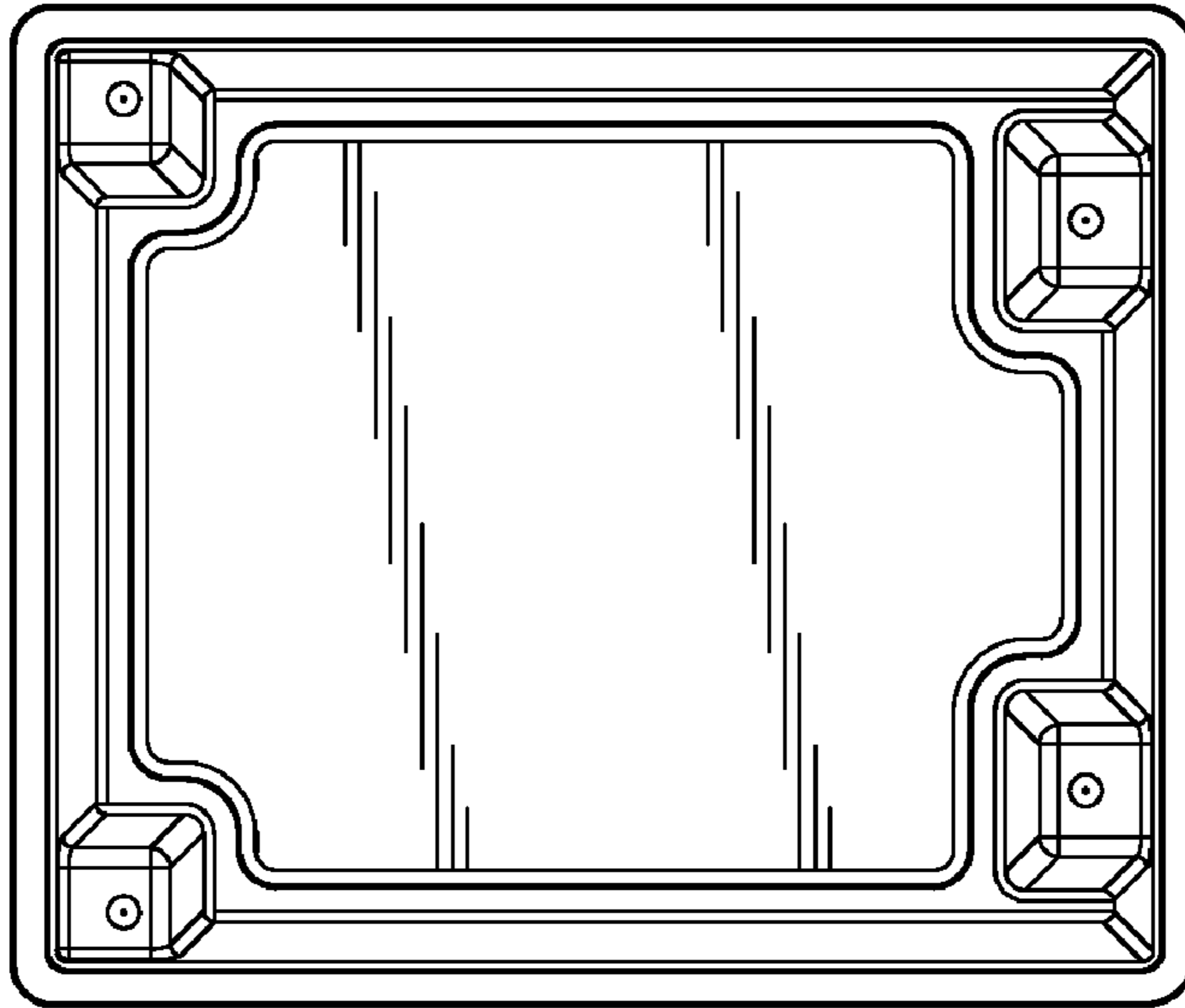


FIG. 6

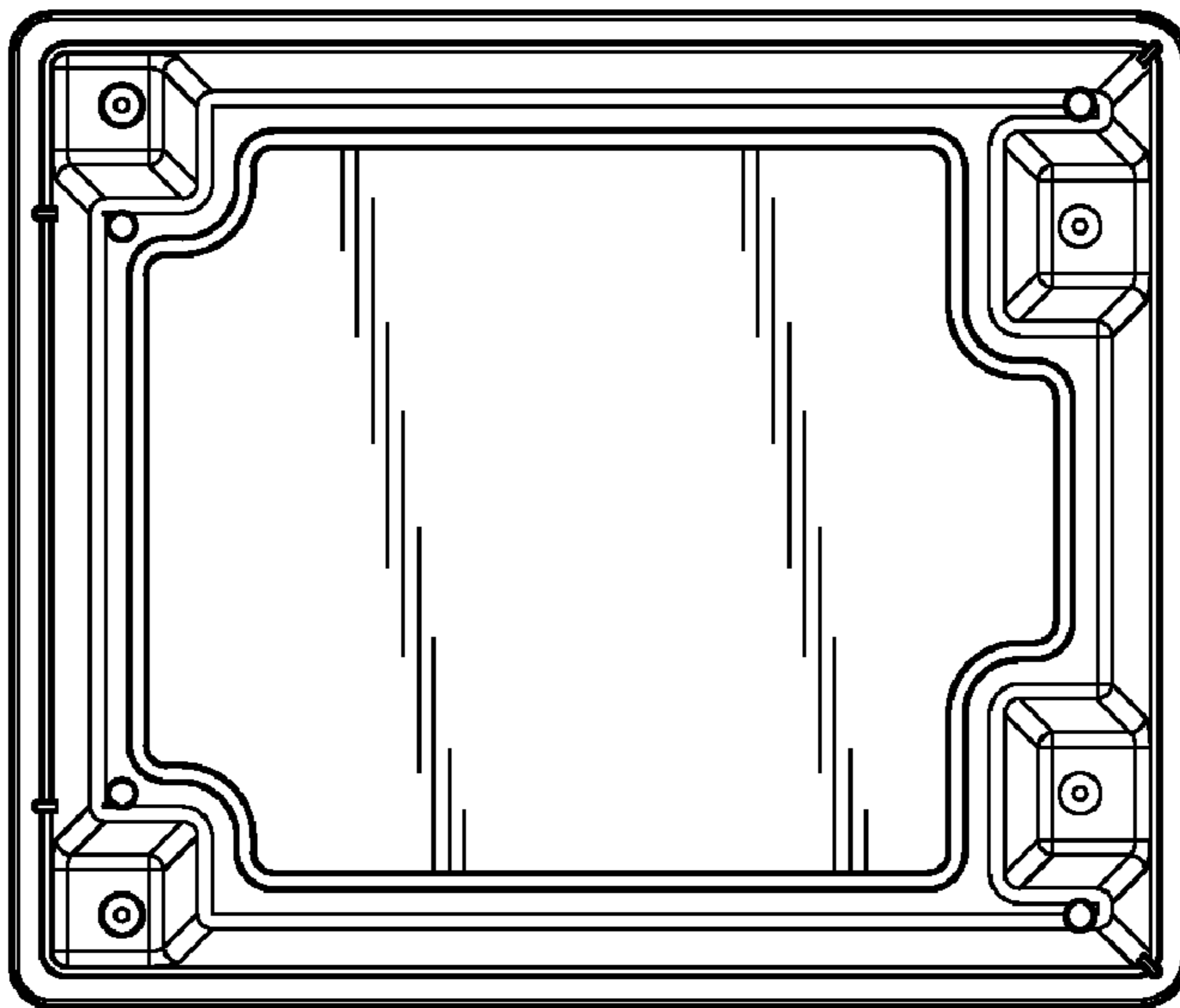


FIG. 7

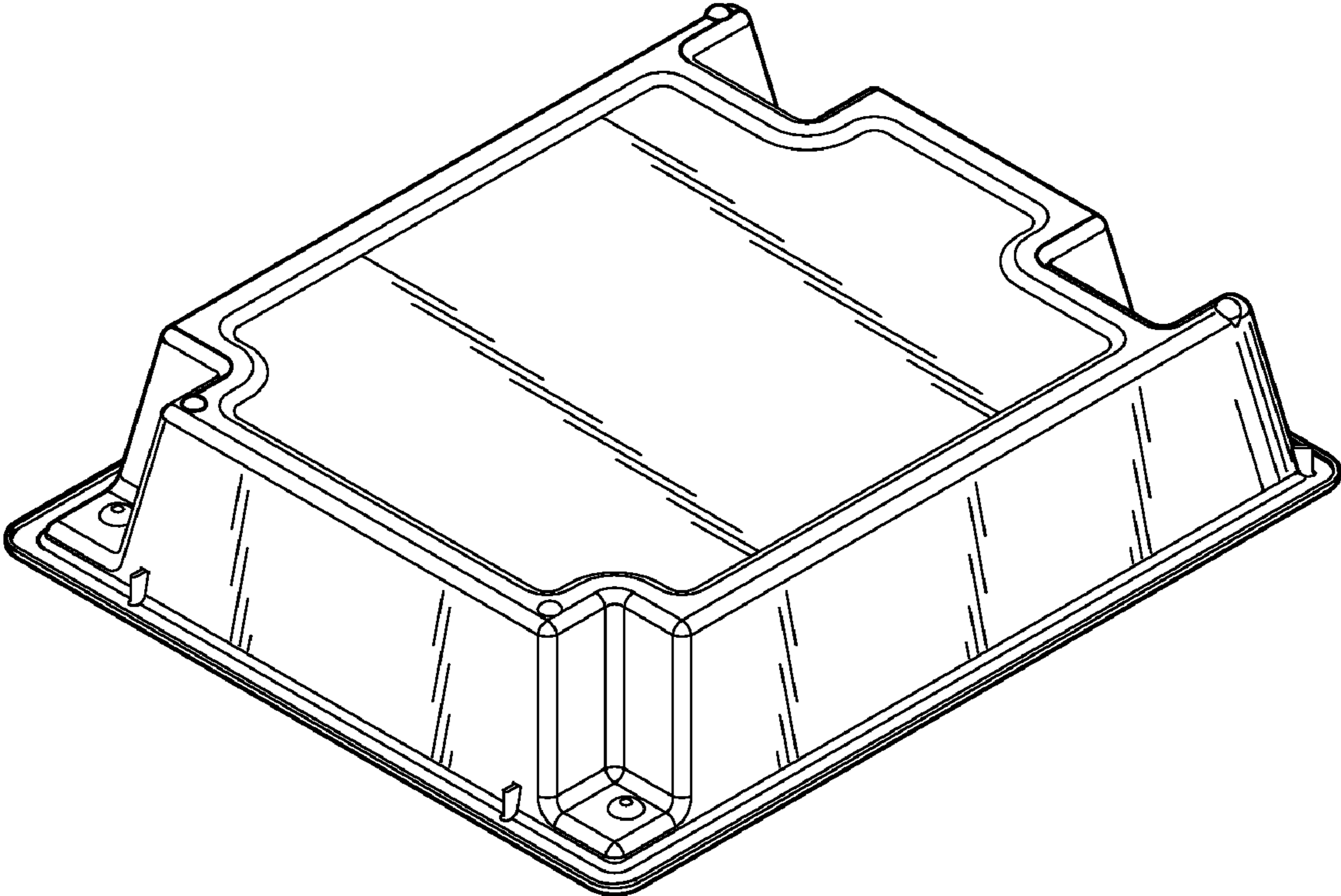


FIG. 8