



US00D612148S

(12) **United States Design Patent**
Treece et al.

(10) **Patent No.:** **US D612,148 S**
(45) **Date of Patent:** **** Mar. 23, 2010**

(54) **NASAL CANNULA CONTAINER**

D566,484 S * 4/2008 George D3/294

(76) Inventors: **Larry Huff Treece**, 923 Cherokee,
Humboldt, KS (US) 66748; **Clinton**
Alexander Treece, 1937 Overland Ave.,
Los Angeles, CA (US) 90025

OTHER PUBLICATIONS
“Overseas Line—ASI/98801-OEP-628D” three-day pill box order
page, from website <http://awardexcellence.logomall.com>.
* cited by examiner

(**) Term: **14 Years**

Primary Examiner—Catherine R Oliver
(74) *Attorney, Agent, or Firm*—Mai-Tram D. Lauer

(21) Appl. No.: **29/341,766**

(22) Filed: **Aug. 12, 2009**

(57) **CLAIM**

(51) **LOC (9) Cl.** **03-01**

The ornamental design for a nasal cannula container, as
shown and described.

(52) **U.S. Cl.** **D3/203.1**

(58) **Field of Classification Search** D3/203.1,
D3/203.3, 203.6, 203.7, 203.8, 201, 205,
D3/281–283, 294, 901, 903–905; 206/530–542,
206/570–572; 190/100

DESCRIPTION

See application file for complete search history.

FIG. 1 is a perspective view of the nasal cannula container
shown in a closed configuration;

FIG. 2 is a side elevation view, with the opposite side being a
mirror image thereof;

FIG. 3 is a front elevation view thereof.

FIG. 4 is a top view thereof.

FIG. 5 is a perspective view thereof, in an open configuration.

FIG. 6 is a top view thereof.

FIG. 7 is a side elevation view thereof; and,

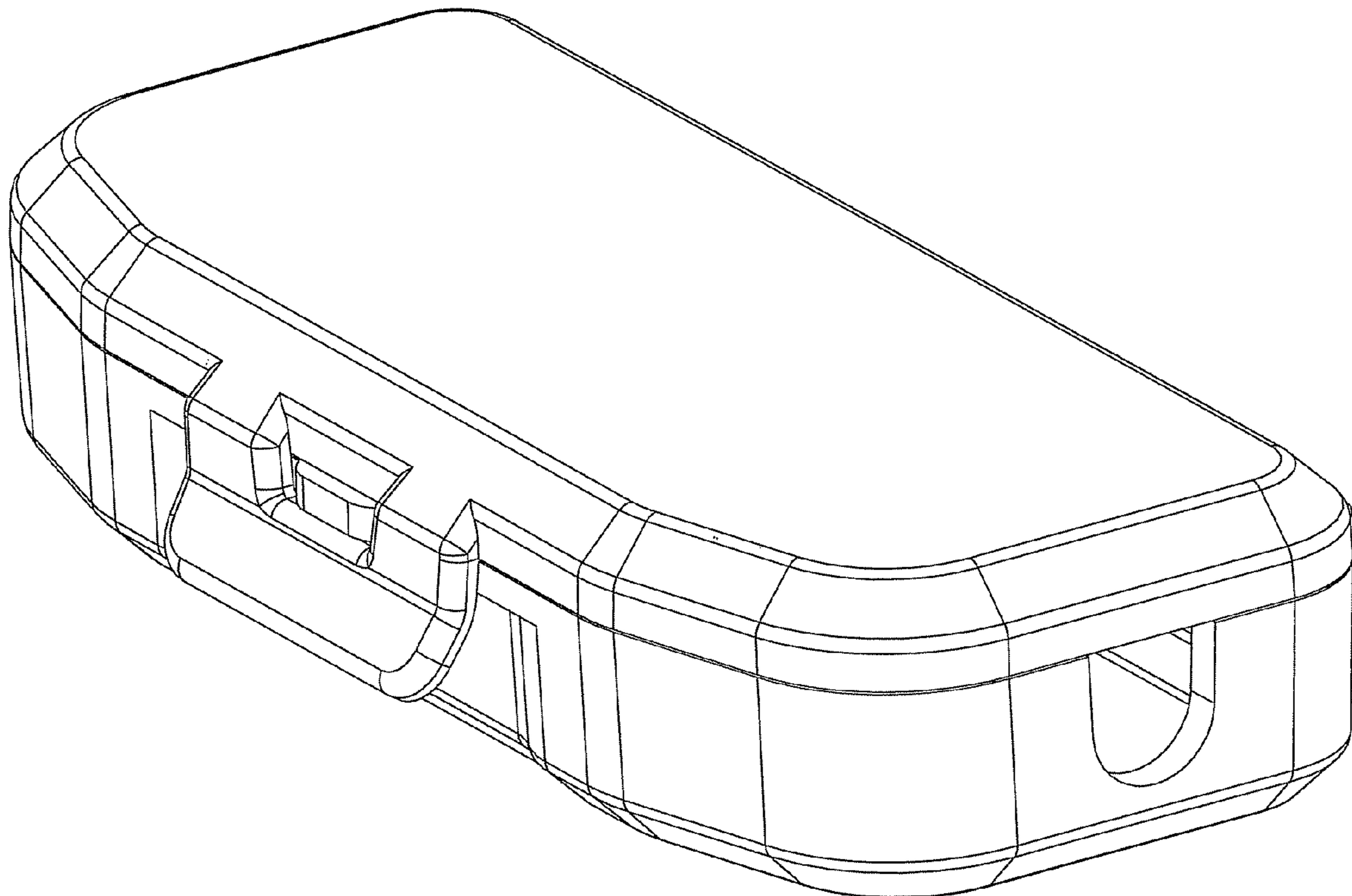
FIG. 8 is a front elevation view thereof.

(56) **References Cited**

U.S. PATENT DOCUMENTS

2,332,266	A	10/1943	Segal	
2,642,987	A	6/1953	Castelli	
6,026,950	A	2/2000	Wisniewski	
D427,425	S *	7/2000	St.åhl D3/203.1
D467,414	S *	12/2002	Pavlu et al. D3/203.1
D471,360	S *	3/2003	Huang D3/282

1 Claim, 8 Drawing Sheets



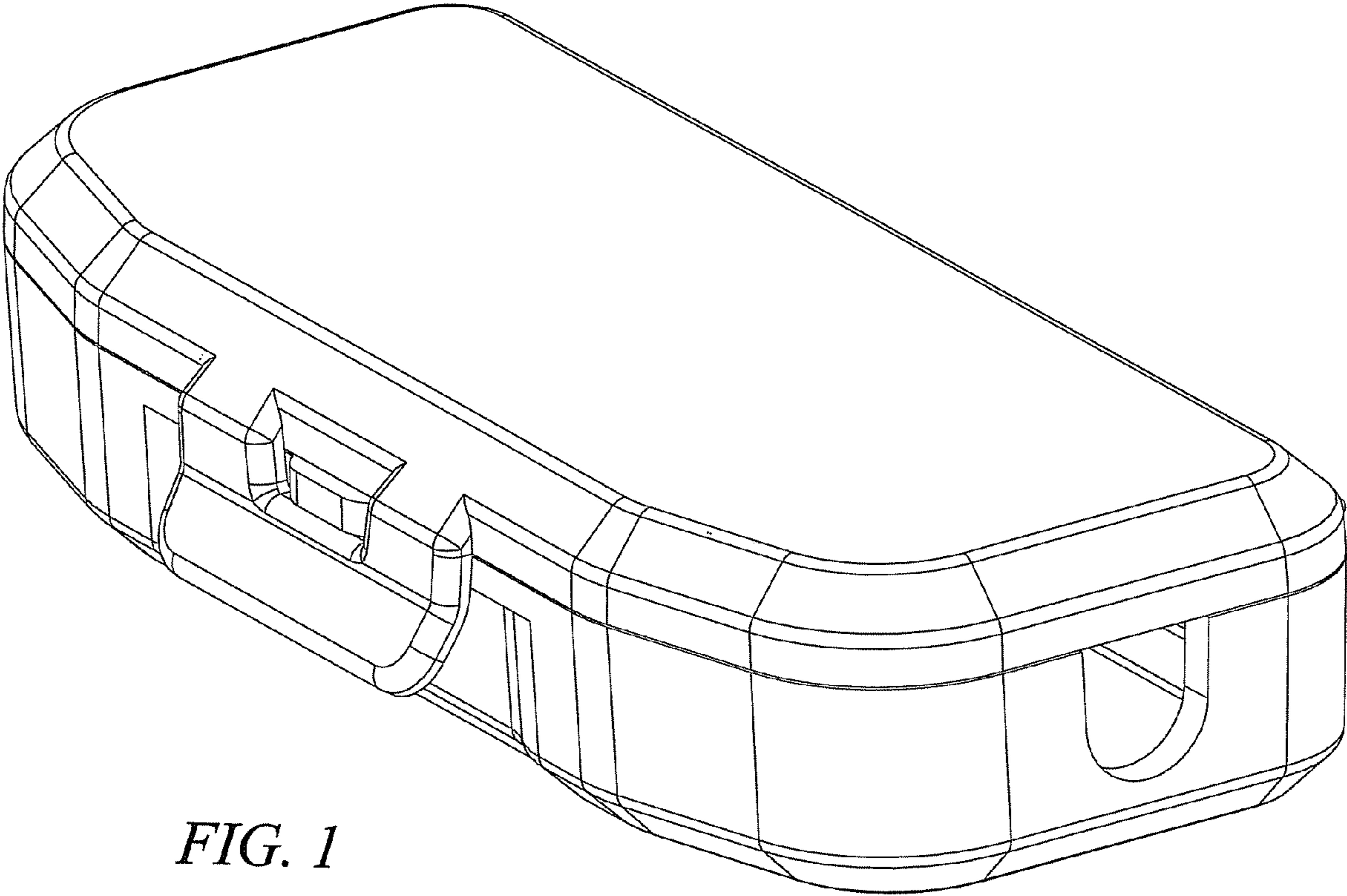


FIG. 1

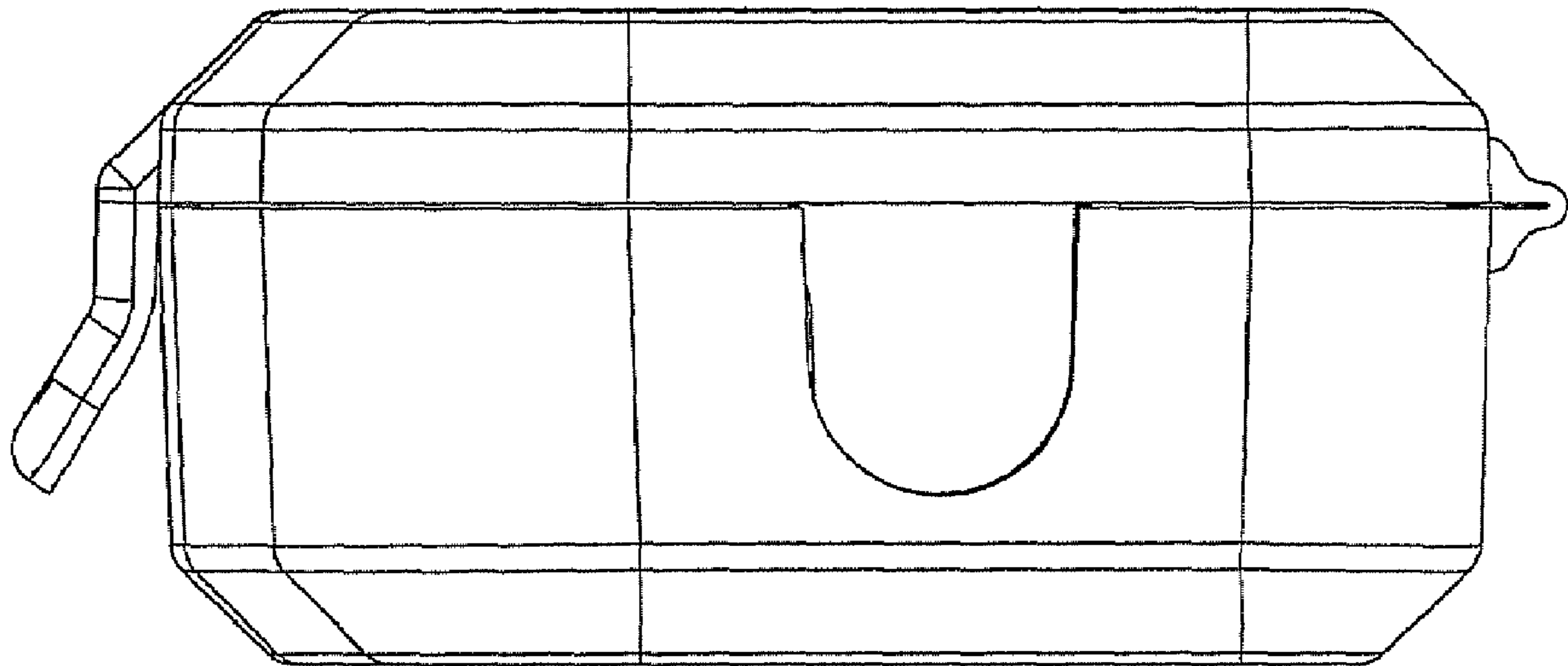


FIG. 2

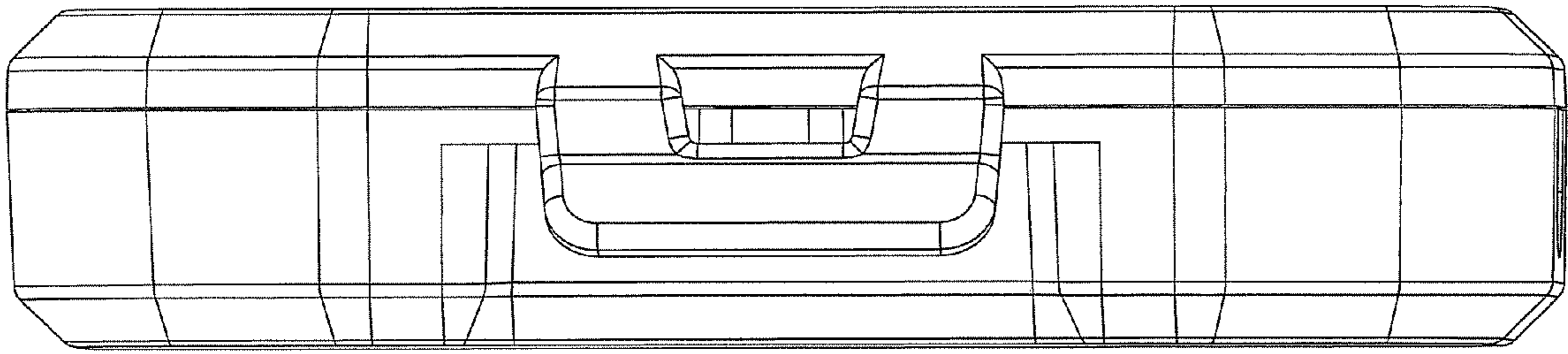


FIG. 3

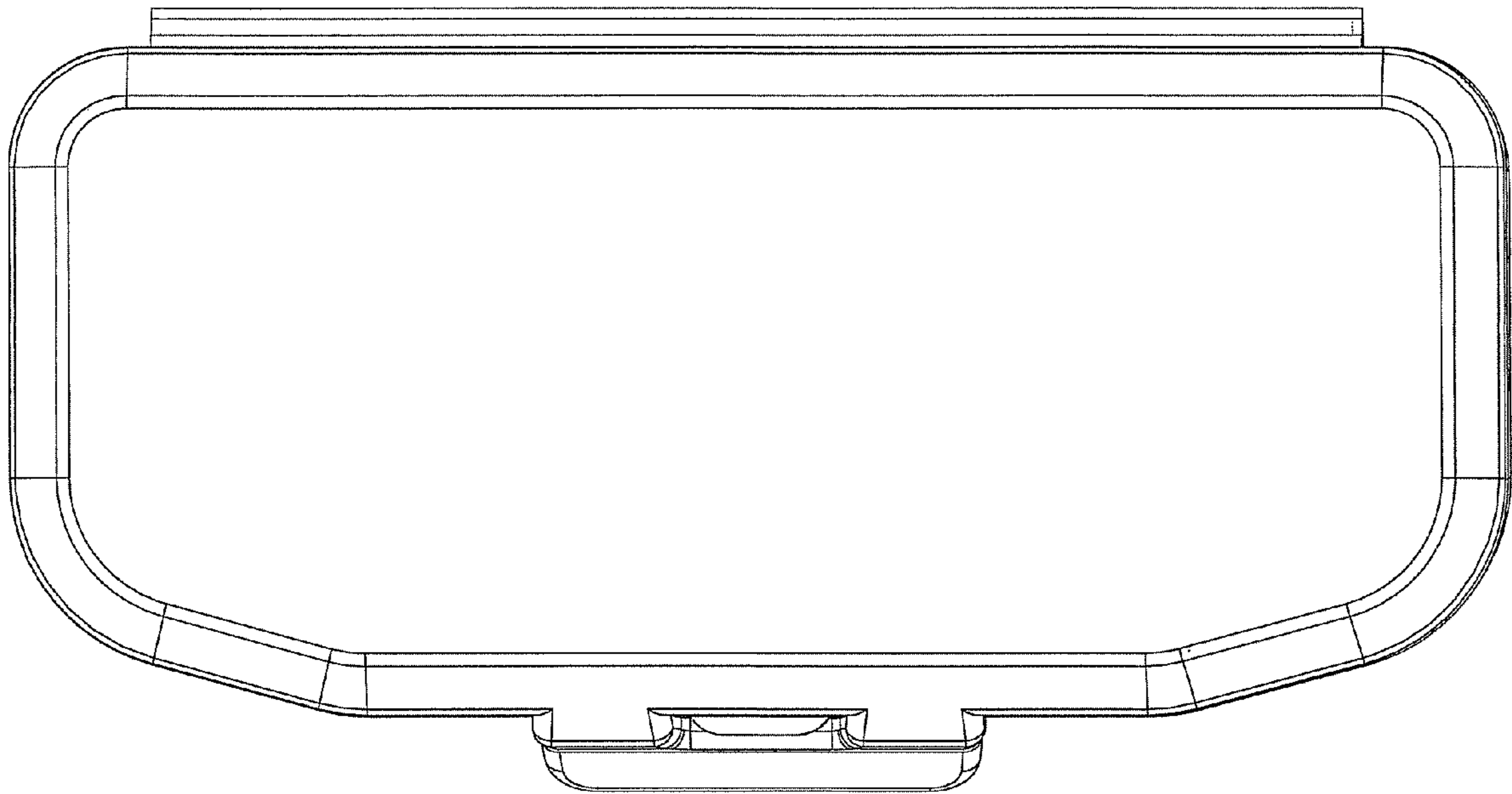


FIG. 4

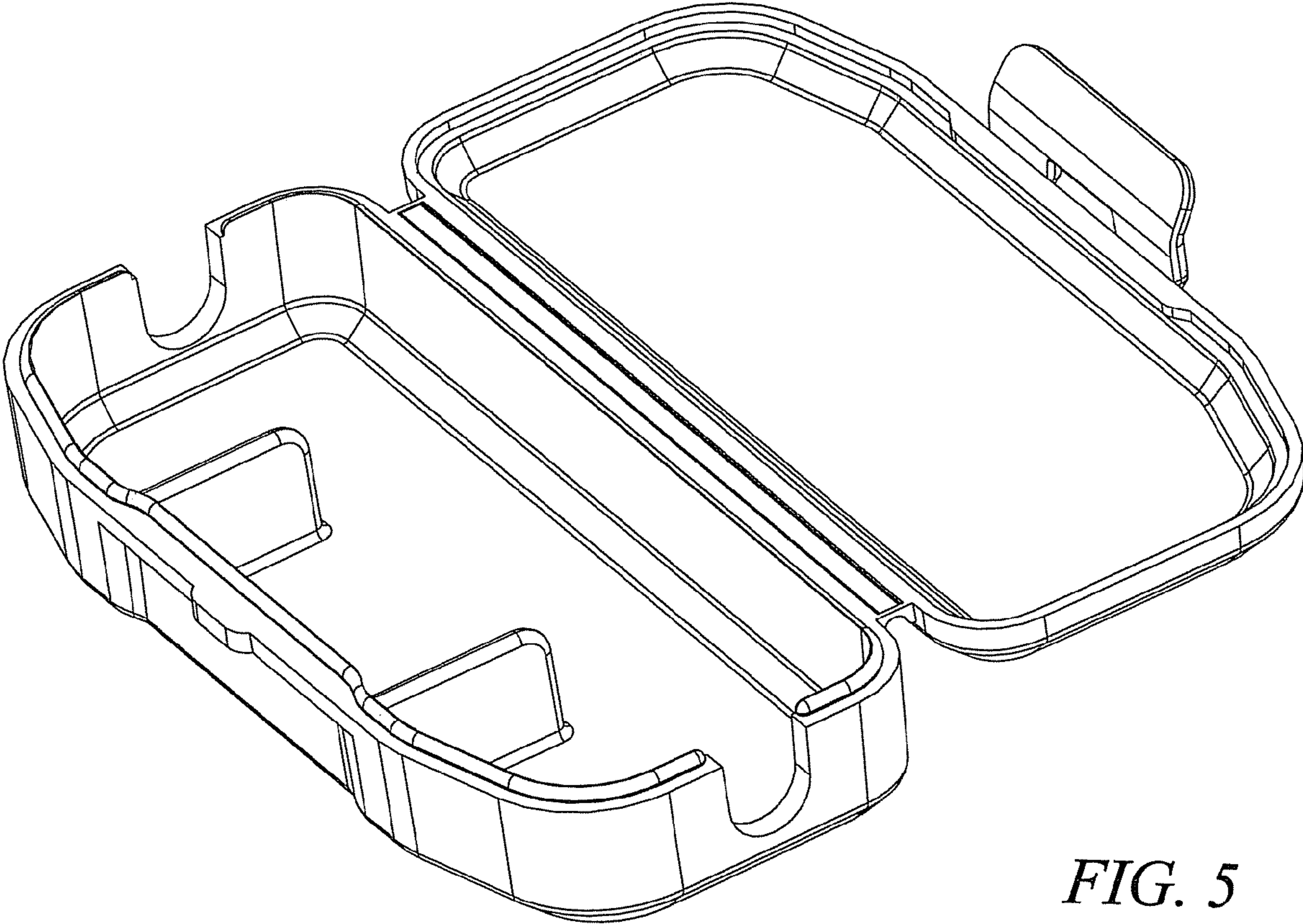


FIG. 5

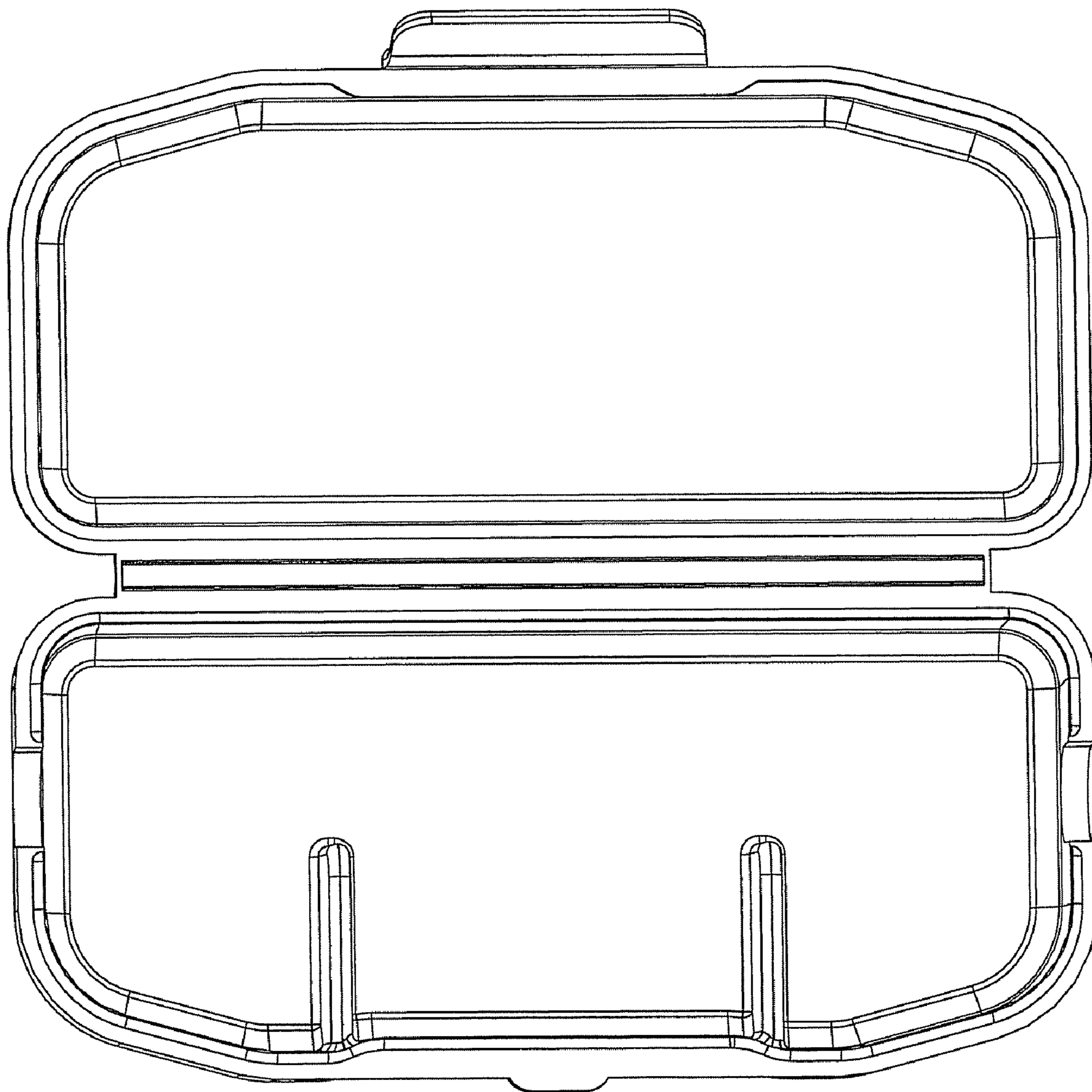


FIG. 6

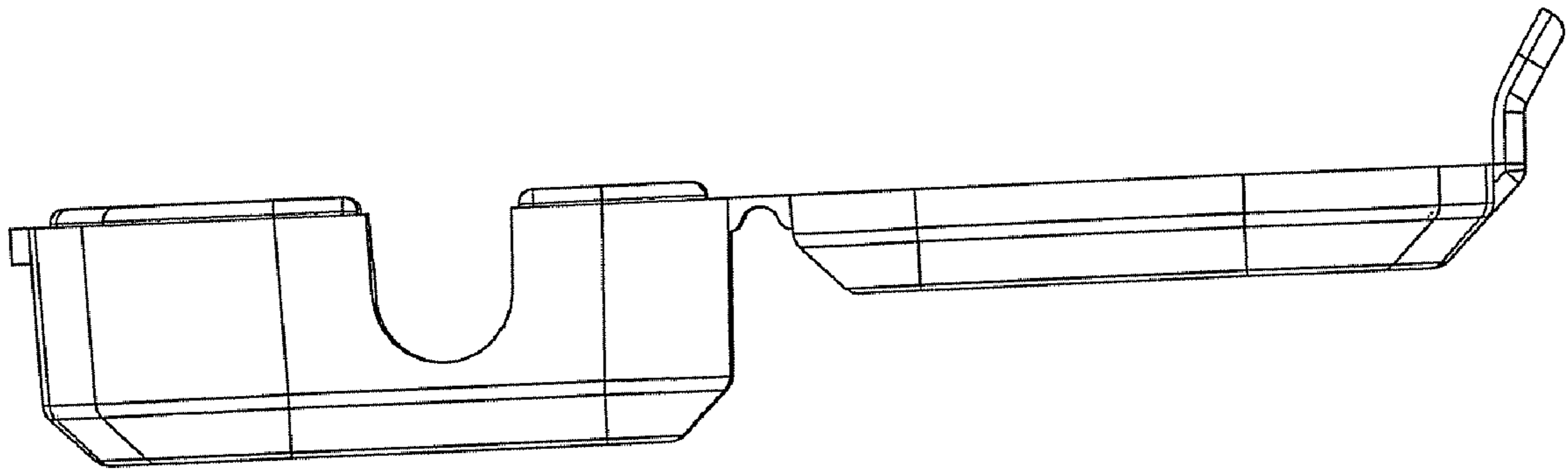


FIG. 7

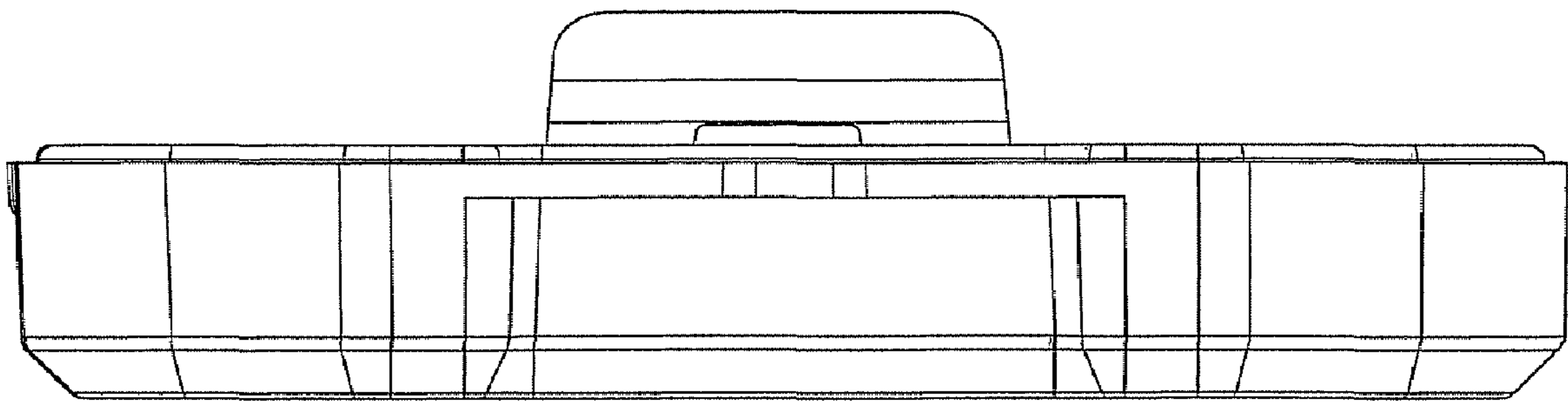


FIG. 8