



US00D612147S

(12) **United States Design Patent**  
**Perkins**

(10) **Patent No.:** **US D612,147 S**  
(45) **Date of Patent:** **\*\* Mar. 23, 2010**

(54) **CRAFT BOBBIN WINDER FOR USE WITH SEWING MACHINE**

(74) *Attorney, Agent, or Firm*—R. Michael West

(76) **Inventor:** **Loretta M. Perkins**, 22688 E. Milton Rd., Linden, CA (US) 95236-9718

(57) **CLAIM**

The ornamental design for a craft bobbin winder for use with sewing machine, as shown and described.

(\*\*) **Term:** **14 Years**

(21) **Appl. No.:** **29/342,035**

**DESCRIPTION**

(22) **Filed:** **Aug. 17, 2009**

(51) **LOC (9) Cl.** ..... **03-01**

FIG. 1 is a perspective view of a craft bobbin winder for use with sewing machine, showing my new design;

(52) **U.S. Cl.** ..... **D3/18**

FIG. 2 is a front elevational view, thereof, the rear elevational view being identical, thereto;

(58) **Field of Classification Search** ..... D3/18-29;  
D8/358, 359, 360.1; 223/106; 242/118.5,  
242/118.7, 129.7, 134, 588, 606  
See application file for complete search history.

FIG. 3 is side elevational view, the opposite side elevational view being identical, thereto;

(56) **References Cited**

FIG. 4 is a top plan view, thereof;

**U.S. PATENT DOCUMENTS**

FIG. 5 is a bottom plan view, thereof;

D198,968 S *	8/1964	Mashburn	.....	D3/18
D257,349 S *	10/1980	Thomas	.....	D8/358
D360,523 S *	7/1995	Crowe	.....	D3/24
D393,411 S *	4/1998	Crowe	.....	D8/360.1
D452,953 S *	1/2002	Okkema	.....	D8/359
D460,613 S *	7/2002	Stafford	.....	D3/24
D468,190 S *	1/2003	Kennedy et al.	.....	D8/358

FIG. 6 is a perspective view, thereof, taken from a low angle; and,

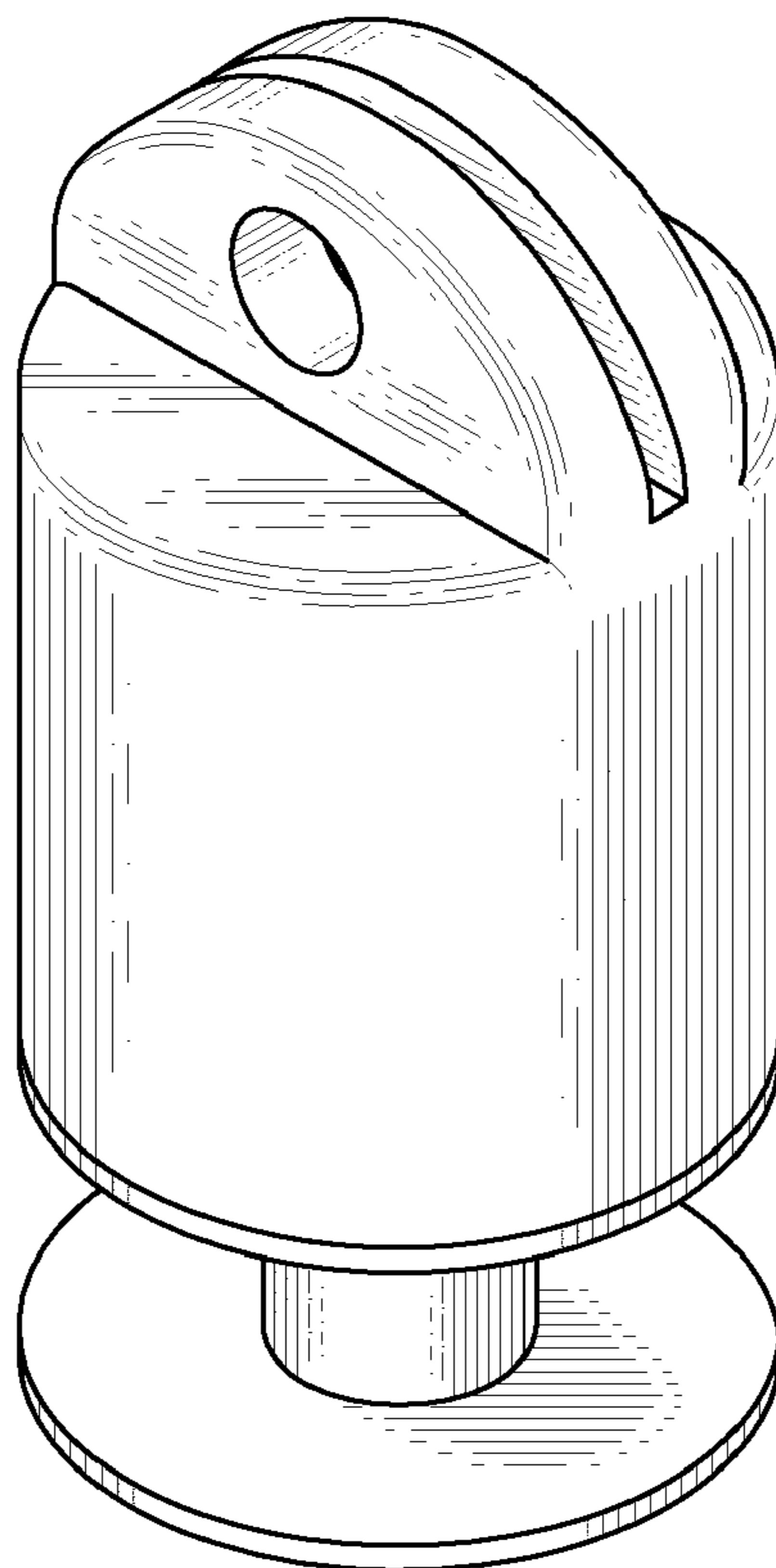
\* cited by examiner

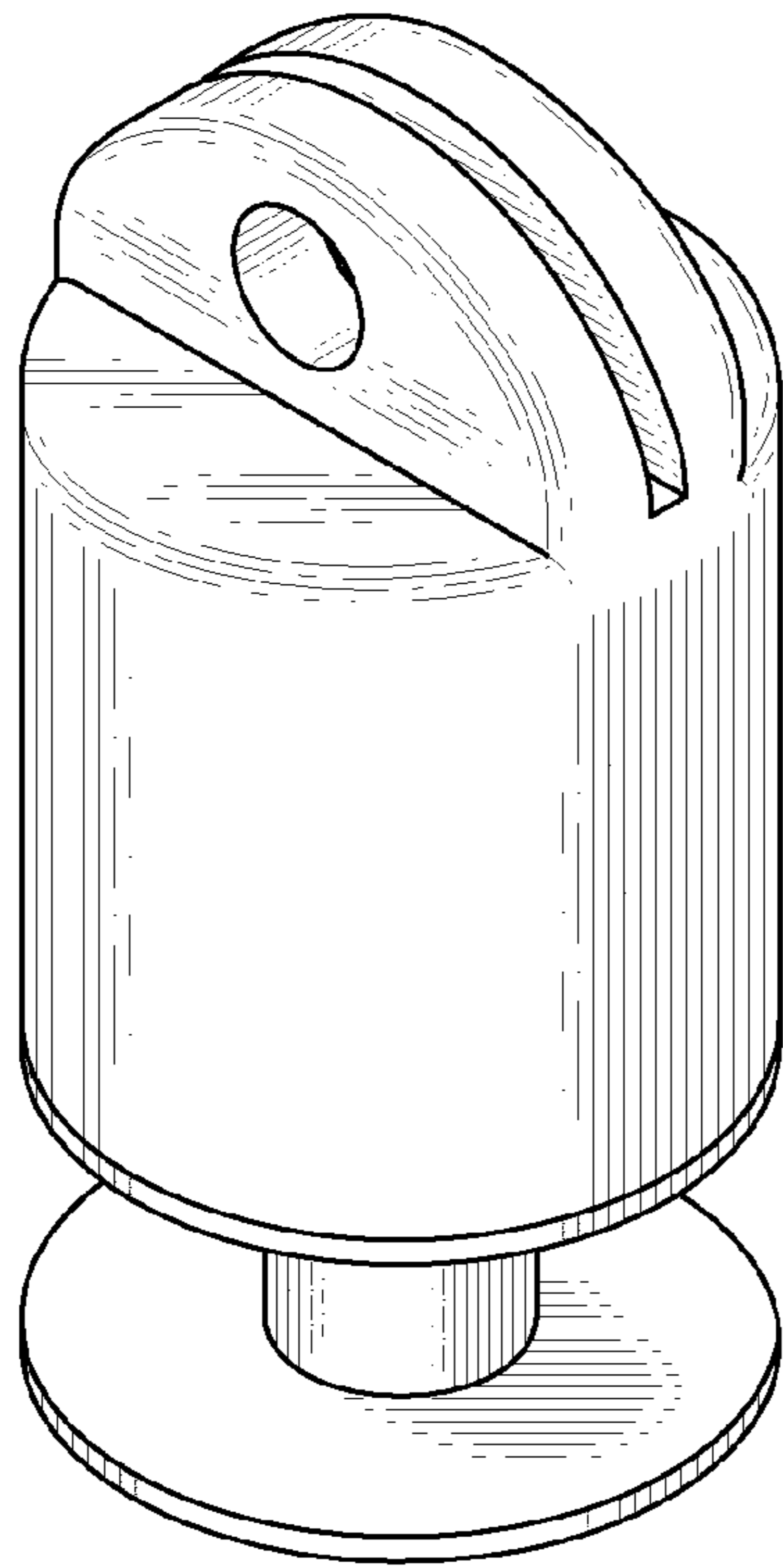
FIG. 7 is a perspective view, showing the article in use with a sewing machine.

*Primary Examiner*—T. Chase Nelson  
*Assistant Examiner*—Anhdao Doan

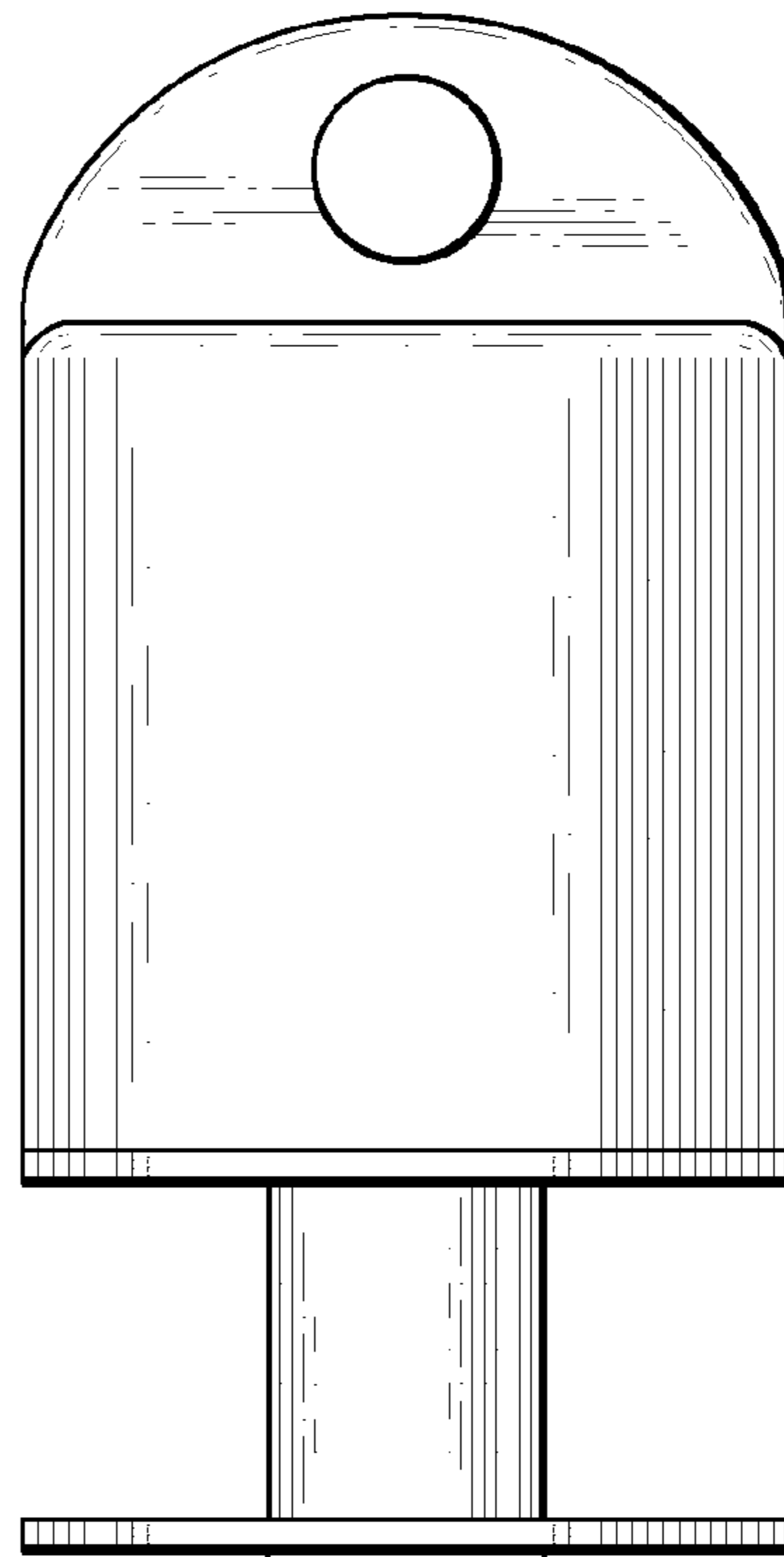
The broken line representation of the craft bobbin and retaining plug shown in FIGS. 6 and 7, and the broken line representation of the thread and the sewing machine in FIG. 7, are included solely for illustrative purposes, forming no part of the claimed design.

**1 Claim, 2 Drawing Sheets**

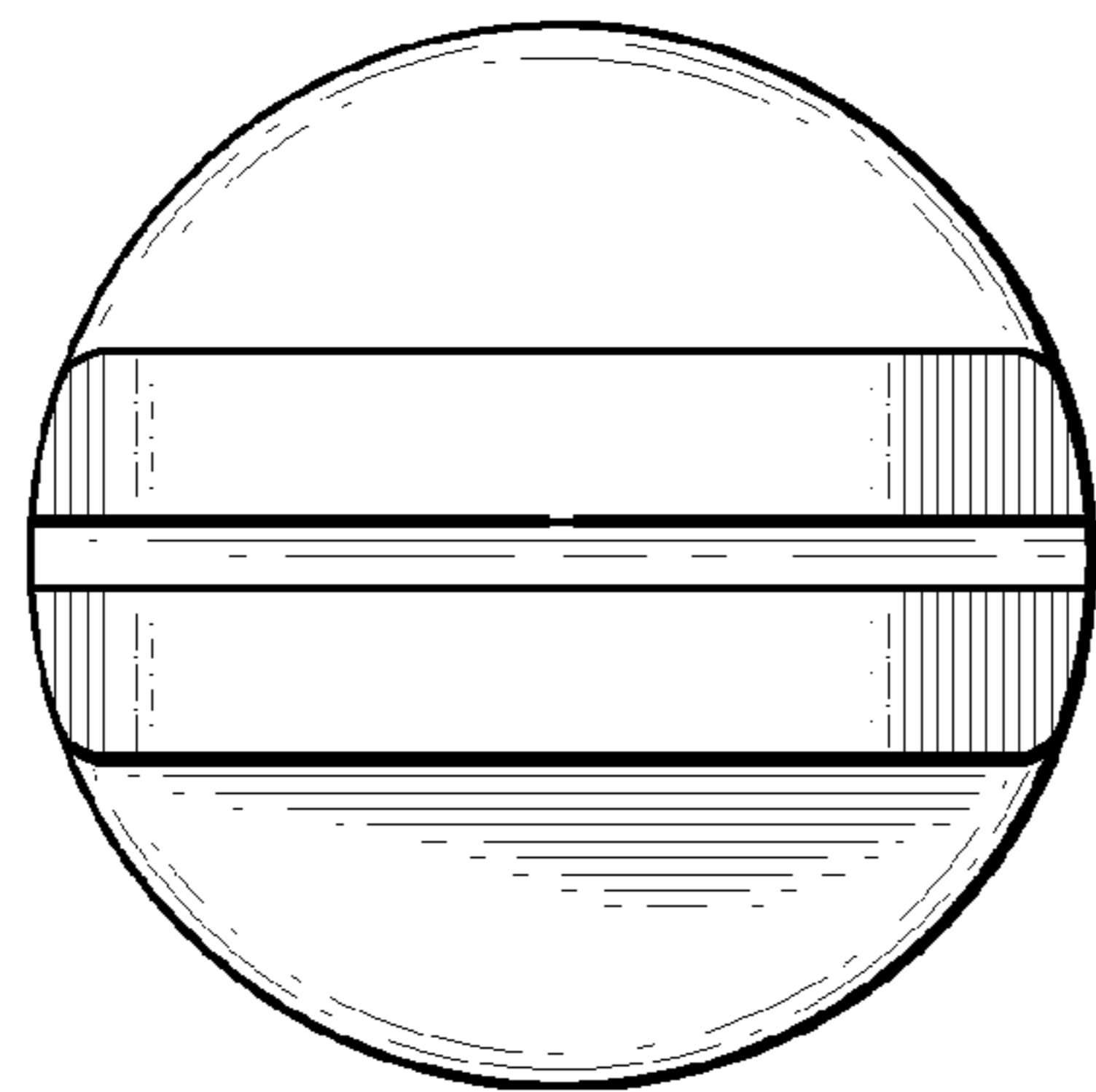




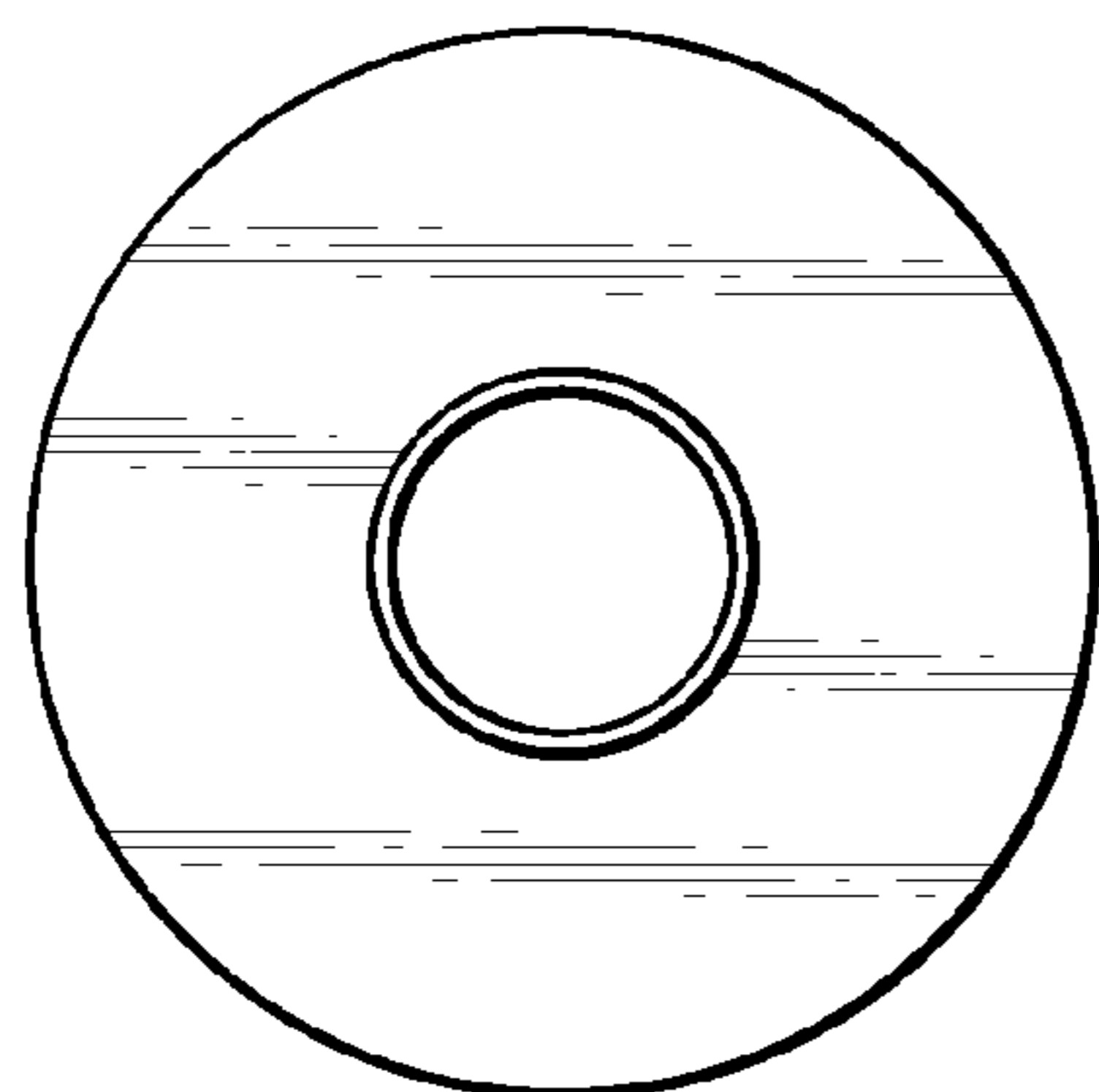
*Fig. 1*



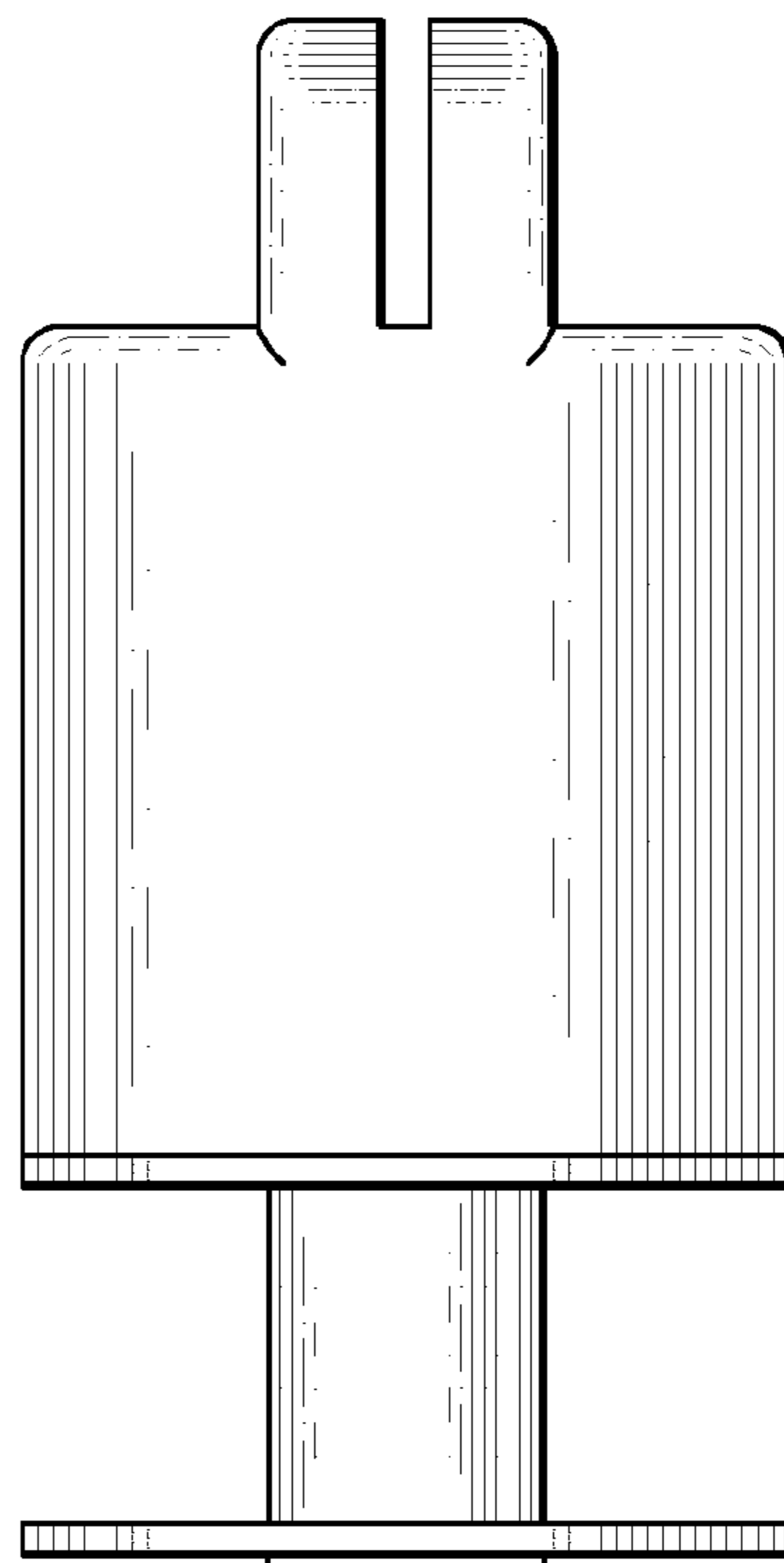
*Fig. 2*



*Fig. 4*



*Fig. 5*



*Fig. 3*

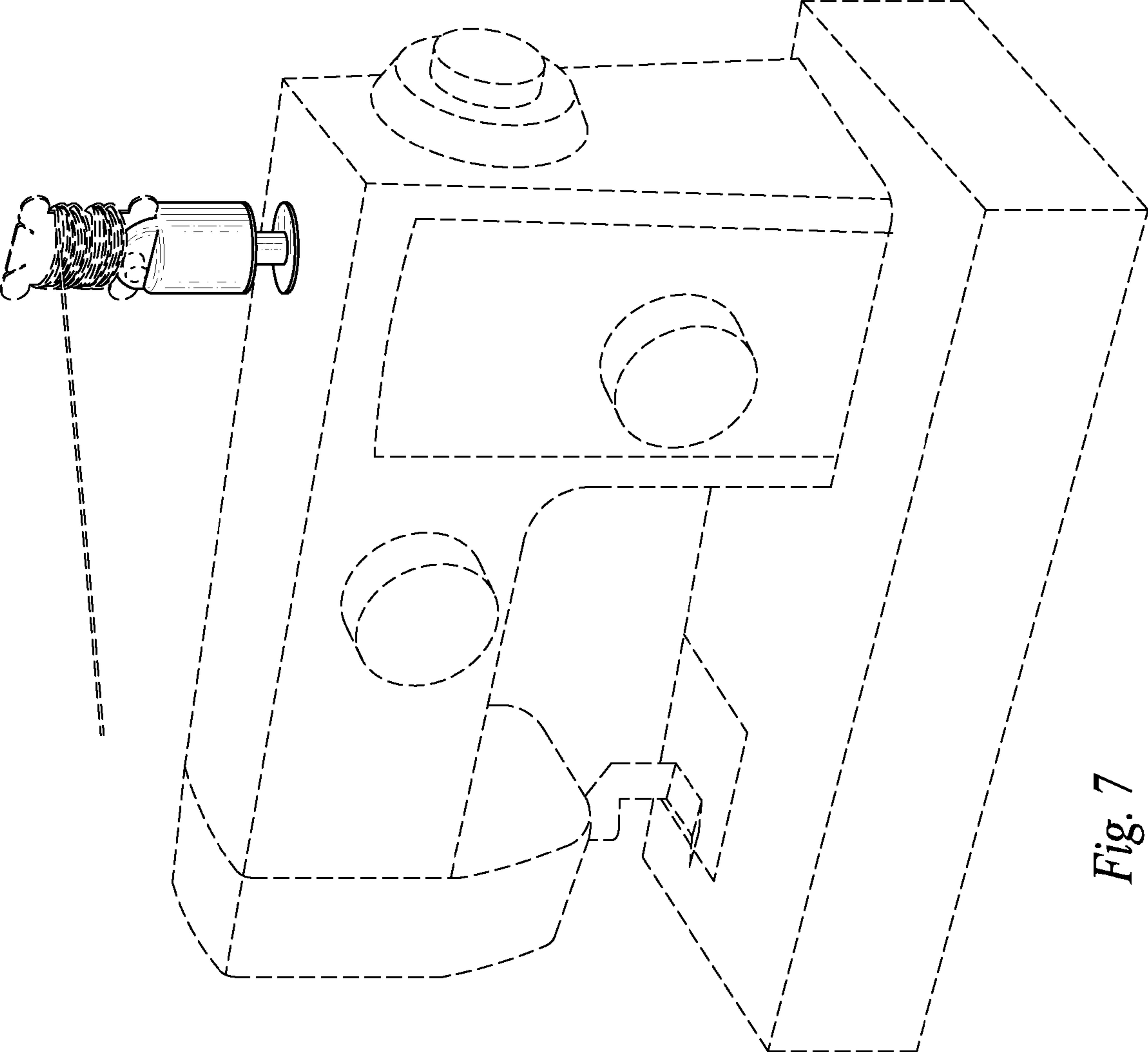


Fig. 7

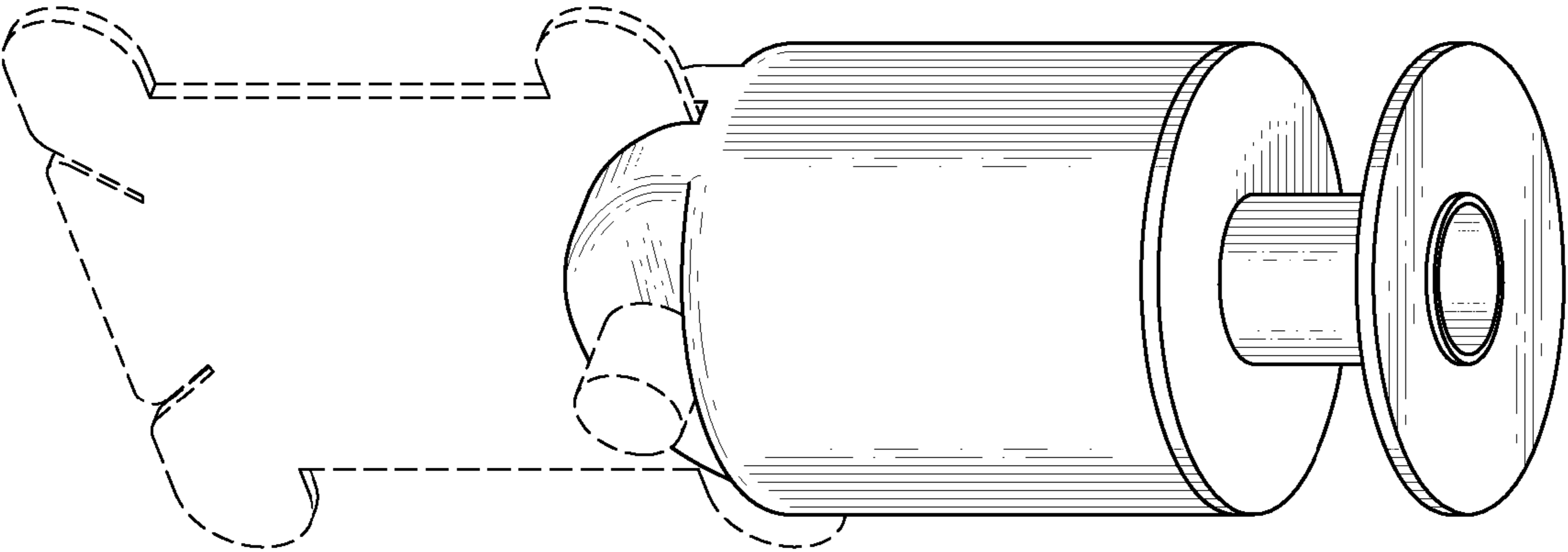


Fig. 6