



US00D612146S

(12) **United States Design Patent**
Clarke

(10) **Patent No.:** **US D612,146 S**
(45) **Date of Patent:** **** Mar. 23, 2010**

(54) **UMBRELLA**

D559,528 S * 1/2008 Clarke D3/10

(76) Inventor: **Dougan H. Clarke**, 2801 Seminole St.,
Miami, FL (US) 33133

* cited by examiner

(**) Term: **14 Years**

Primary Examiner—T. Chase Nelson

Assistant Examiner—Anhdao Doan

(21) Appl. No.: **29/313,663**

(74) *Attorney, Agent, or Firm*—Malloy & Malloy, P.A.

(22) Filed: **Jan. 30, 2009**

(57) **CLAIM**

The ornamental design for umbrella, as shown and described.

(51) **LOC (9) Cl.** **03-03**

(52) **U.S. Cl.** **D3/5**

(58) **Field of Classification Search** D3/5-17;
D21/836-839; 135/15.1, 16, 17, 19, 20.1,
135/25.1, 25.2, 25.4, 25.33, 26, 29-31, 33.4,
135/33.41

DESCRIPTION

See application file for complete search history.

FIG. 1 is a perspective view of an umbrella showing my new design;

FIG. 2 is a front elevation view thereof;

FIG. 3 is a left side view thereof;

FIG. 4 is a right side view thereof;

FIG. 5 is a rear elevation view thereof;

FIG. 6 is a top view thereof; and,

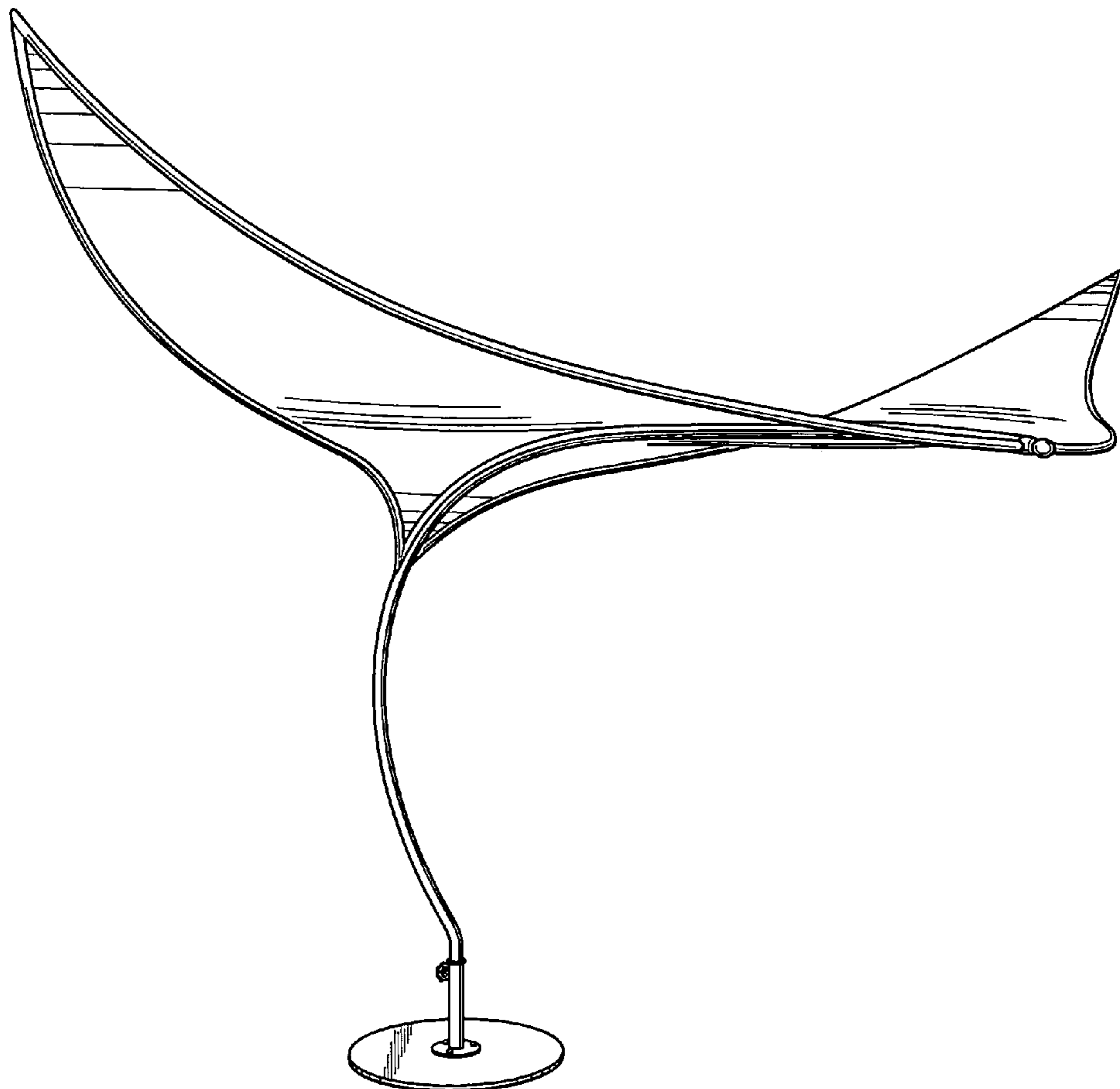
FIG. 7 is a bottom view thereof.

(56) **References Cited**

U.S. PATENT DOCUMENTS

D459,871 S *	7/2002	Persson	D3/5
D497,479 S *	10/2004	Yu	D3/5
D502,800 S *	3/2005	Snyders	D3/5
D522,605 S *	6/2006	Bishirjian	D21/837

1 Claim, 7 Drawing Sheets



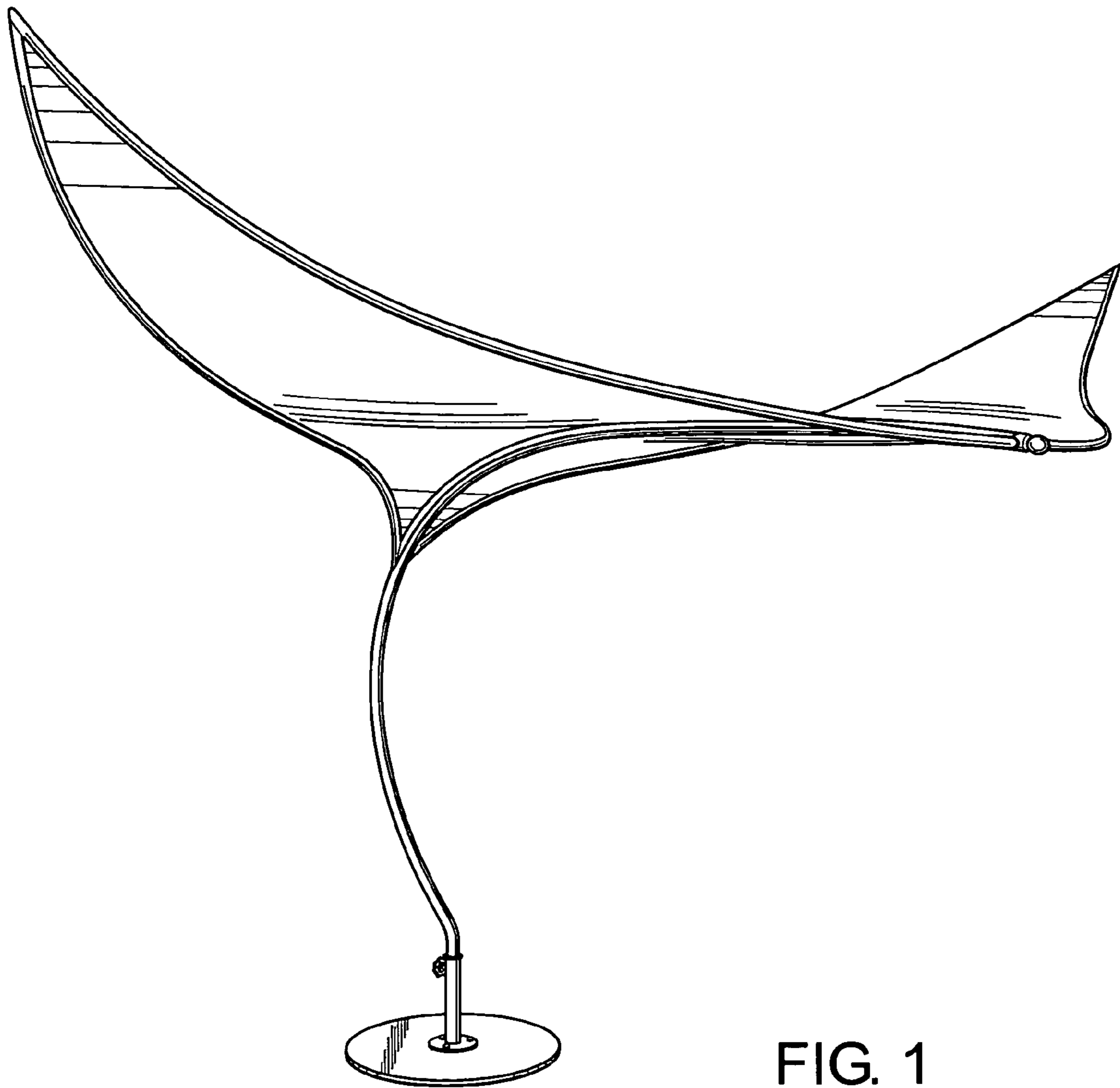


FIG. 1

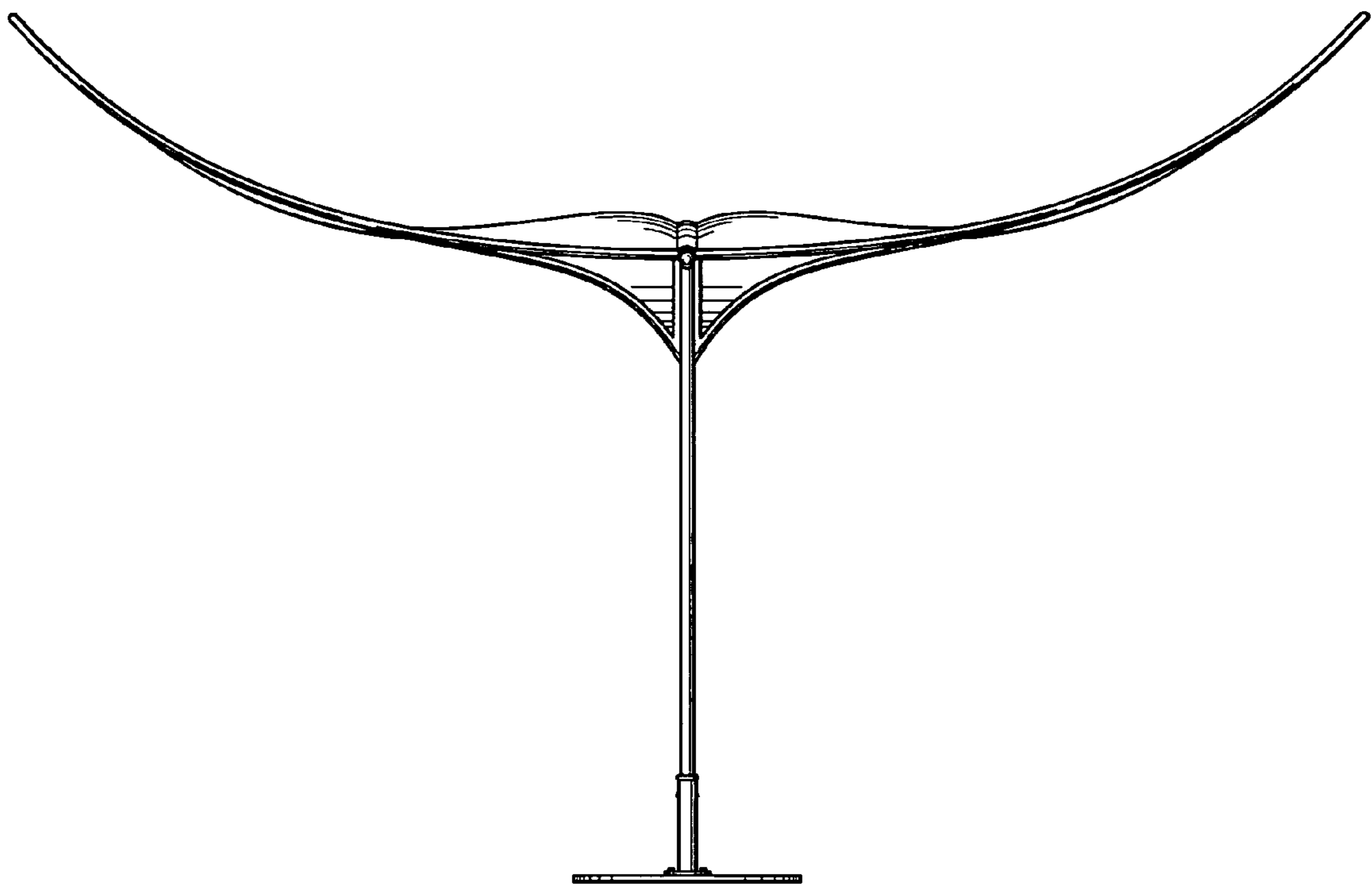


FIG. 2

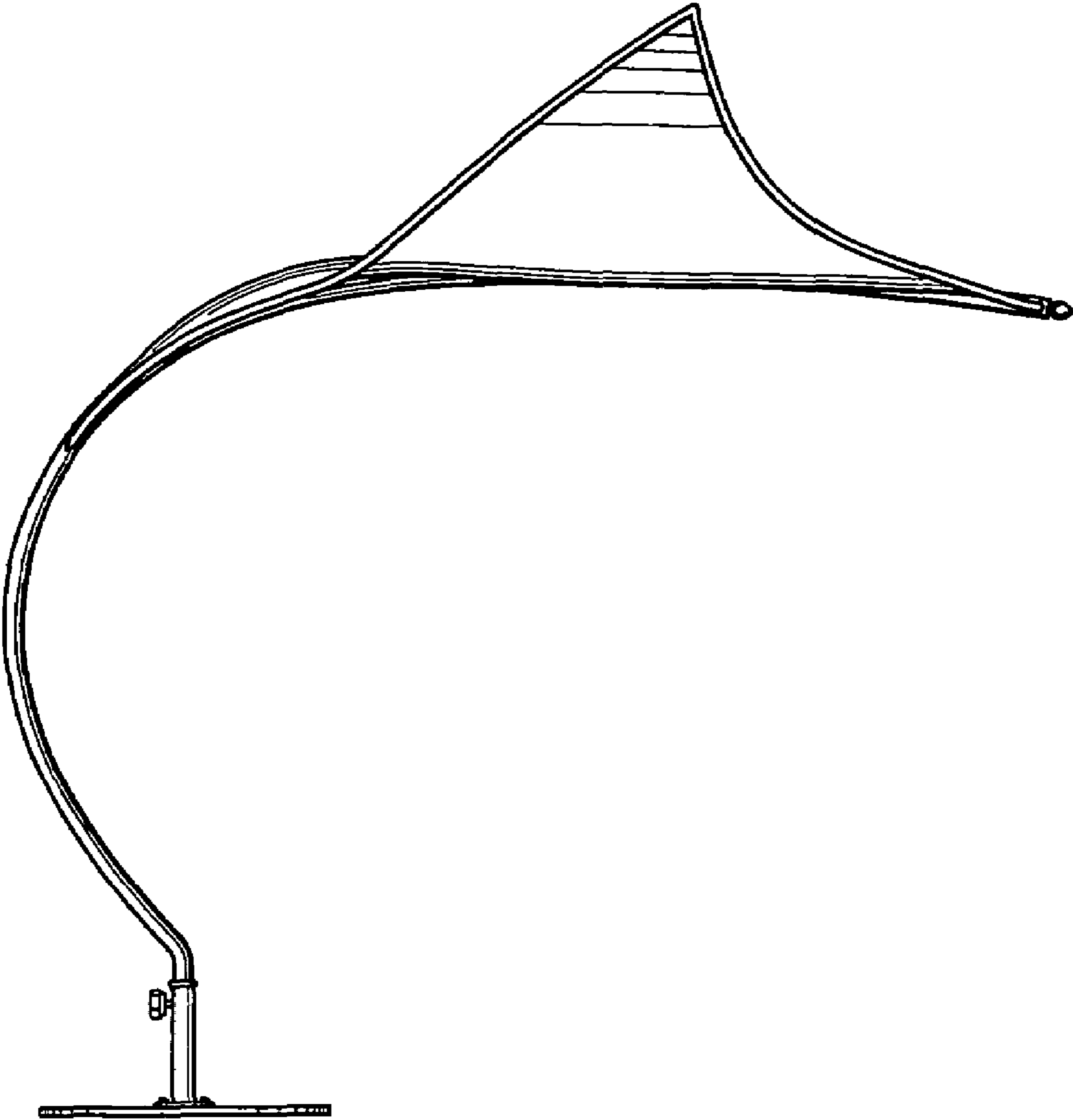


FIG. 3

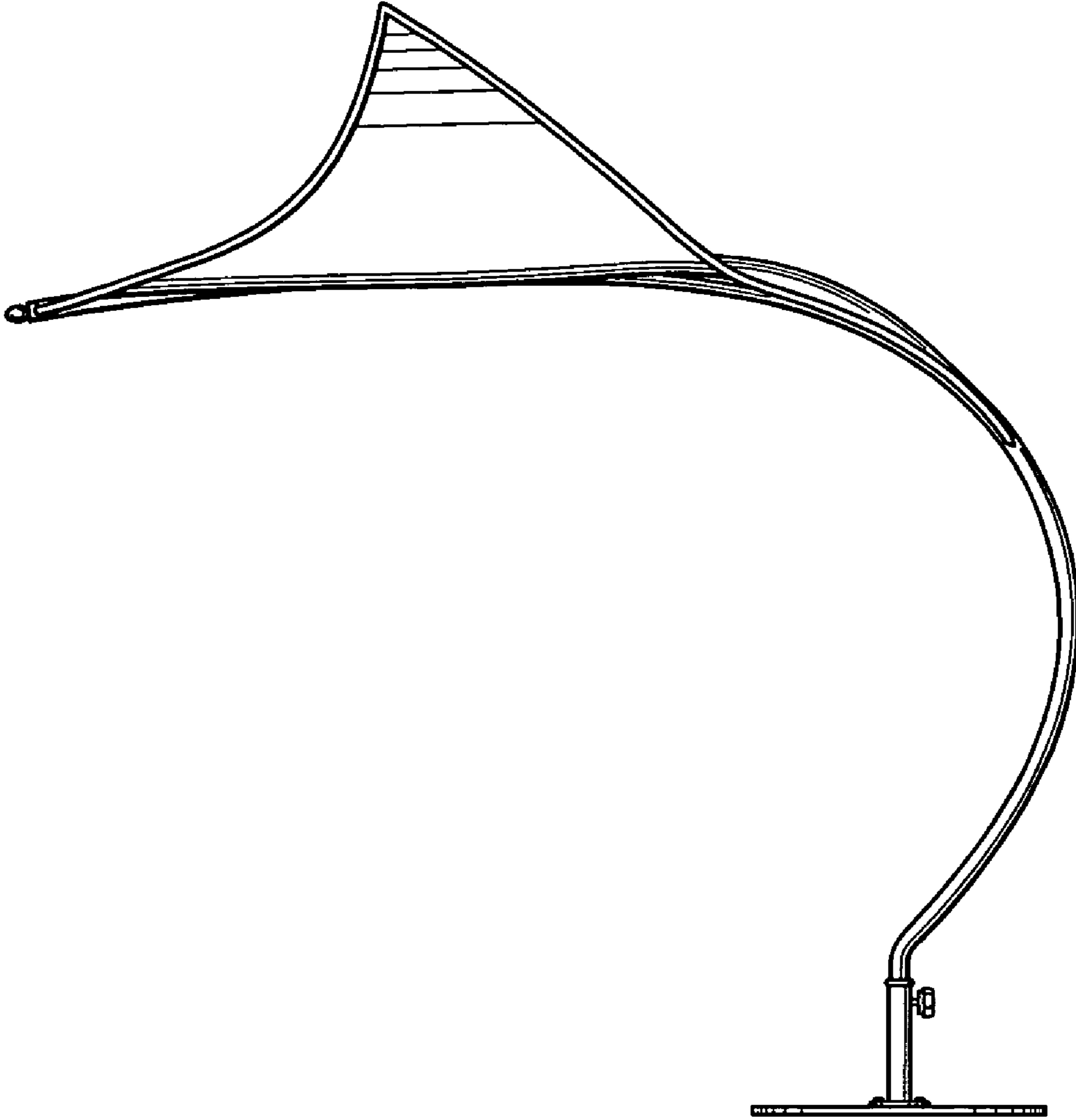


FIG. 4

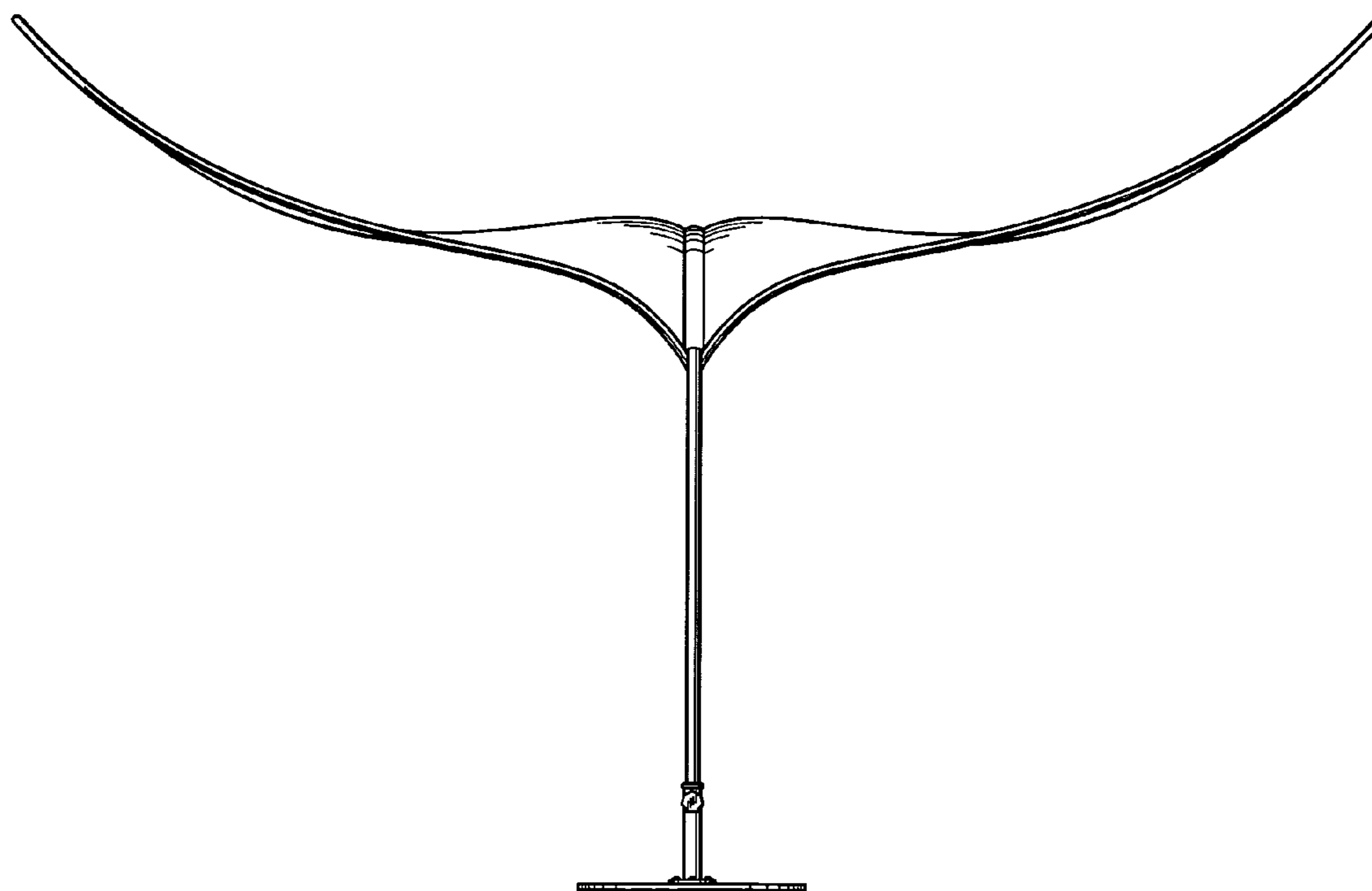


FIG. 5

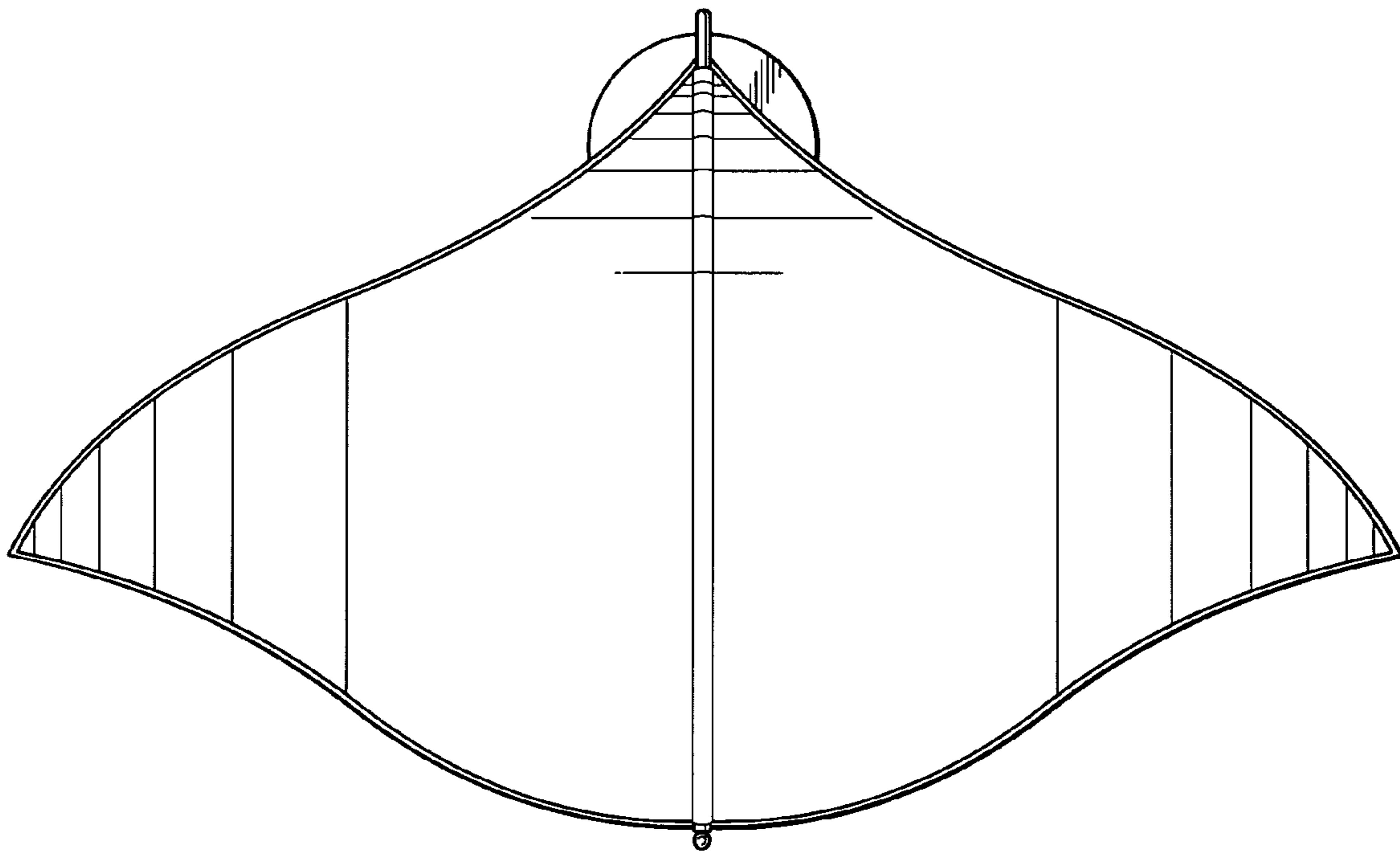


FIG. 6

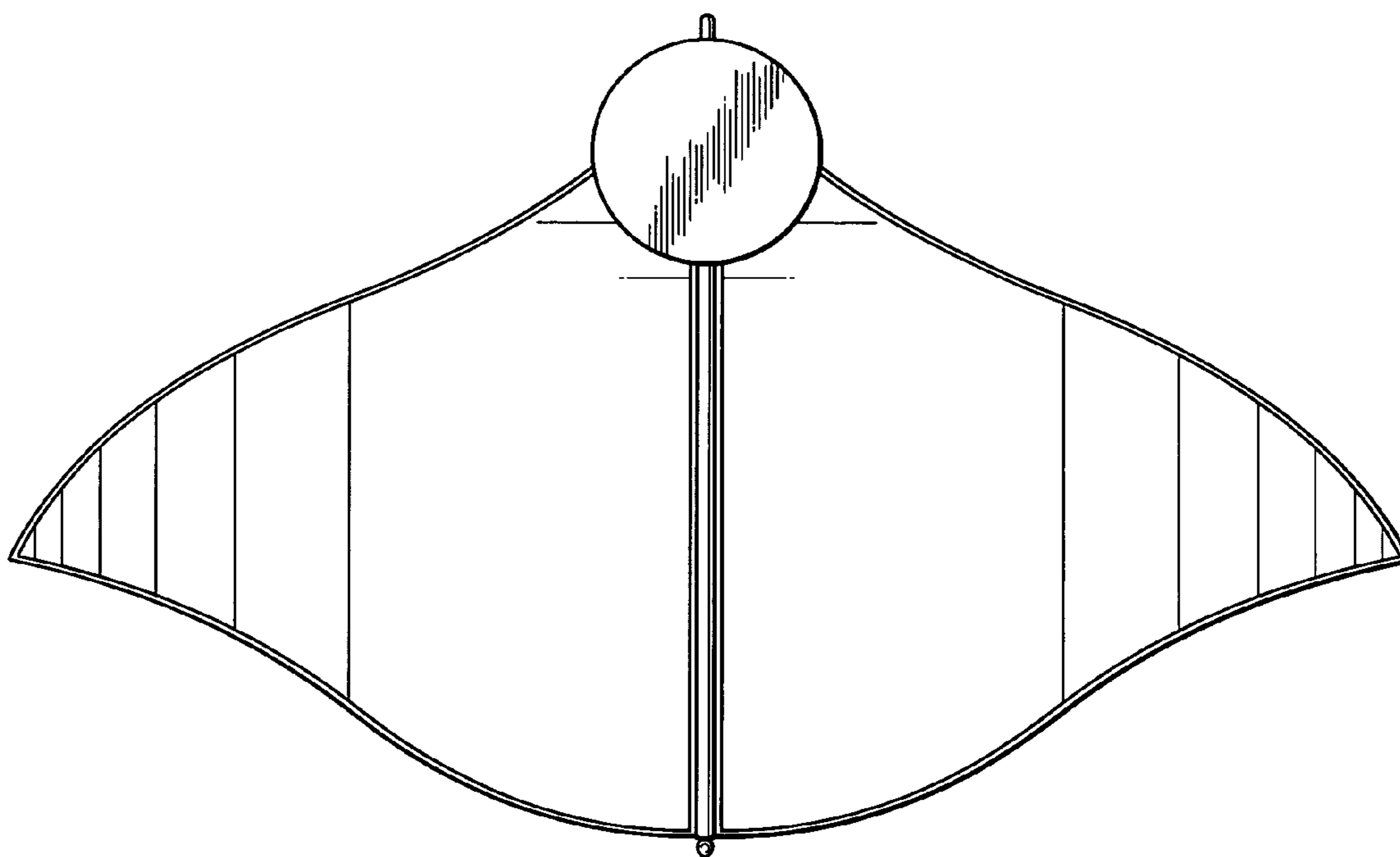


FIG. 7