



US00D612133S

(12) **United States Design Patent**
Hermann, II

(10) **Patent No.:** **US D612,133 S**
(45) **Date of Patent:** **** Mar. 23, 2010**

(54) **SOLAR/BATTERY POWERED HAT**

(76) **Inventor:** **Grover M. Hermann, II**, 1933 E.
Dublin-Granville Rd., Box 213,
Columbus, OH (US) 43229

(**) **Term:** **14 Years**

(21) **Appl. No.:** **29/341,909**

(22) **Filed:** **Aug. 14, 2009**

(51) **LOC (9) Cl.** **02-03**

(52) **U.S. Cl.** **D2/866**

(58) **Field of Classification Search** D2/865,
D2/866, 878, 879, 880, 881, 882, 886, 891;
D29/102, 103, 104, 105, 106; 2/4, 10, 171,
2/171.2, 171.3, 172, 175.1, 209.13, 906;
40/329

See application file for complete search history.

(56) **References Cited**

U.S. PATENT DOCUMENTS

1,036,004	A *	8/1912	Revell	2/184.5
1,362,537	A *	12/1920	Letizia	2/209.14
D58,302	S *	7/1921	Bartholomew	D2/865
2,112,383	A *	3/1938	Sloan et al.	2/182.5
2,209,609	A *	7/1940	Odom	43/57.1
D150,245	S *	7/1948	Mumford	D29/103
2,557,123	A *	6/1951	Lyon	2/182.6
2,632,173	A *	3/1953	Lyon	2/181.2
D171,754	S *	3/1954	Endelson	D2/872
3,168,748	A *	2/1965	Limberg	2/171.3
3,881,198	A *	5/1975	Waters	2/171.3
4,397,044	A *	8/1983	Trepanier	2/4
D271,250	S *	11/1983	Burgin et al.	D2/875
D297,584	S *	9/1988	Lenox et al.	D2/866
4,893,356	A *	1/1990	Waters	2/171.3
5,088,127	A *	2/1992	Thornock	2/209.13
5,425,620	A *	6/1995	Stroud	416/63
D396,340	S *	7/1998	She	D2/876
5,829,063	A *	11/1998	Cheng	2/209.13

D411,756	S *	7/1999	Land	D2/866
6,032,291	A *	3/2000	Asenguah et al.	2/171.3
6,760,925	B1 *	7/2004	Maxwell	2/171.3
7,143,451	B2 *	12/2006	Lundgren	2/171.3
D541,509	S *	5/2007	Sprowl	D2/886
D543,014	S *	5/2007	Sharpe et al.	D2/884
7,290,292	B1 *	11/2007	Nellon	2/171.3
2008/0222777	A1 *	9/2008	Schneider	2/209.13

OTHER PUBLICATIONS

Solar Safari Cool Hat, as shown on www.amazon.com. Several reviews, oldest review of shown product dated Jun. 06, 2007 (6 pages).*

Solar baseball cap, as shown on http://news.cnet.com, review dated Dec. 18, 2006 (1 page).*

* cited by examiner

Primary Examiner—Elizabeth A Albert

Assistant Examiner—Karen E Eldridge Powers

(74) *Attorney, Agent, or Firm*—Jason H. Foster; Kremblas Foster; Intellectual Property

(57) **CLAIM**

The ornamental design for a solar/battery-powered hat, as shown and described.

DESCRIPTION

FIG. 1 is a front perspective view of a solar/battery-powered hat showing my new design.

FIG. 2 is a left side view thereof.

FIG. 3 is a right side view thereof.

FIG. 4 is a front view thereof.

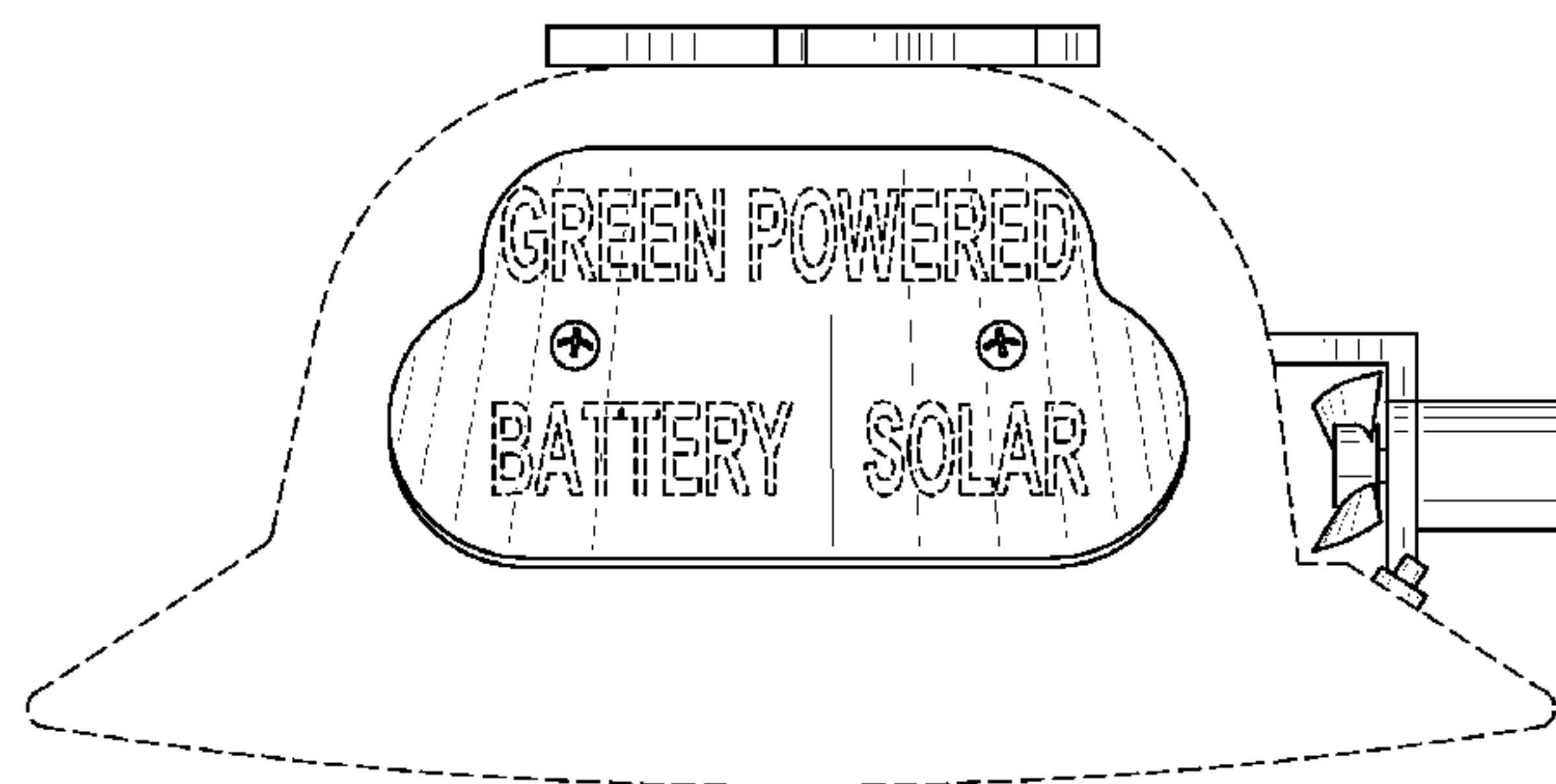
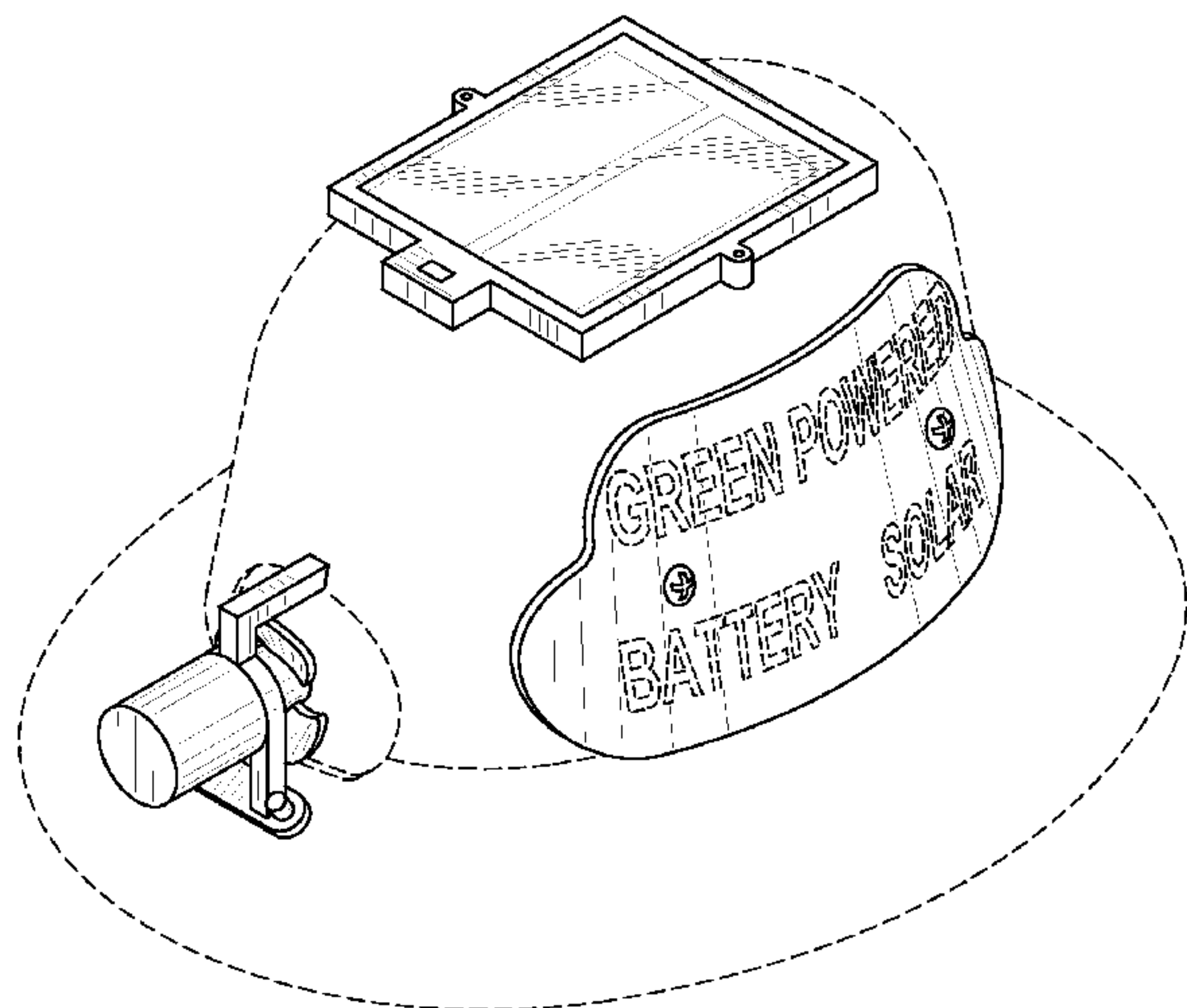
FIG. 5 is a rear view thereof.

FIG. 6 is a top view thereof; and,

FIG. 7 is a bottom view thereof.

The features shown in broken lines in the drawings illustrate environmental matter and form no part of the claimed design.

1 Claim, 5 Drawing Sheets



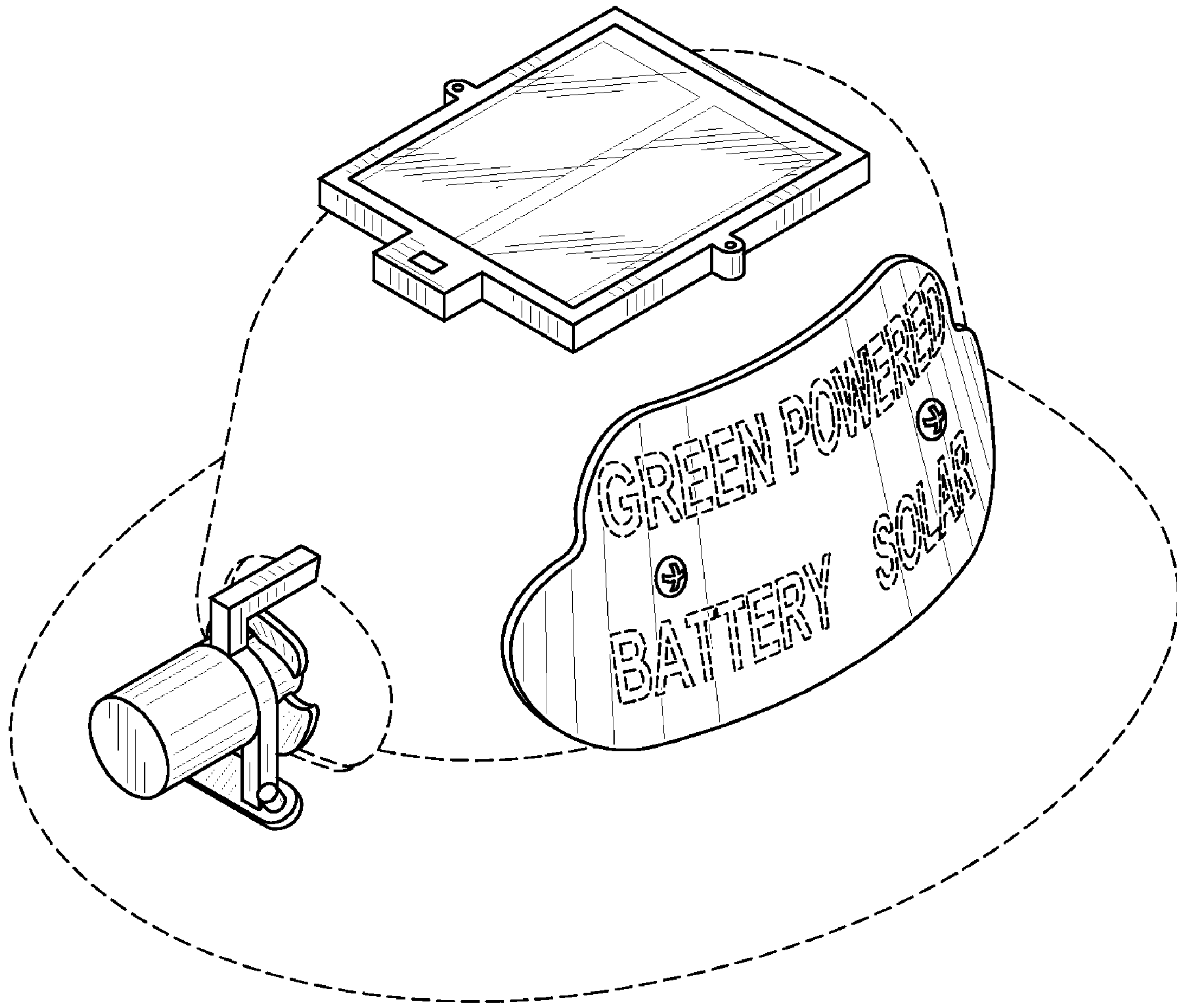


FIG. 1

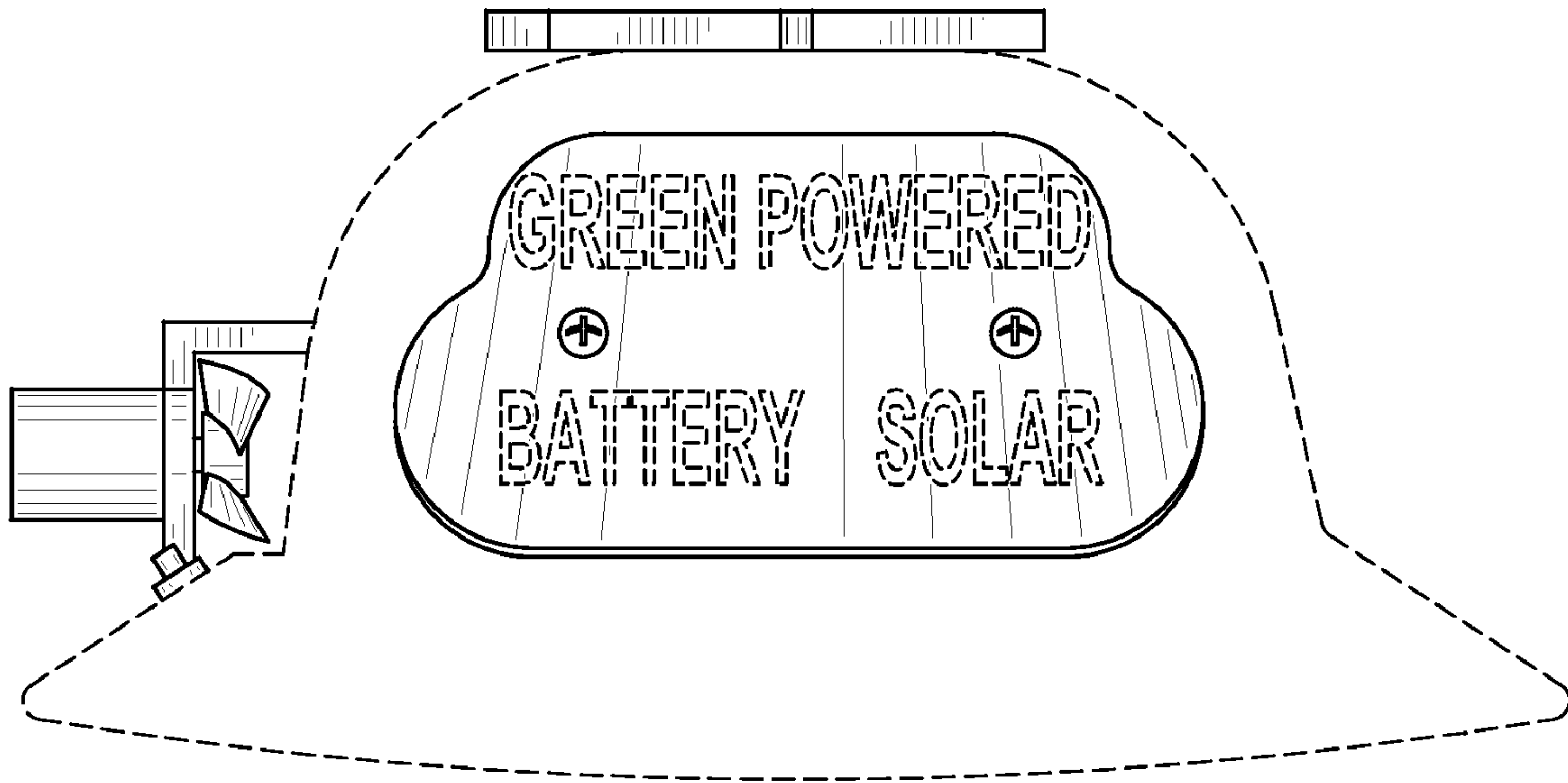


FIG. 2

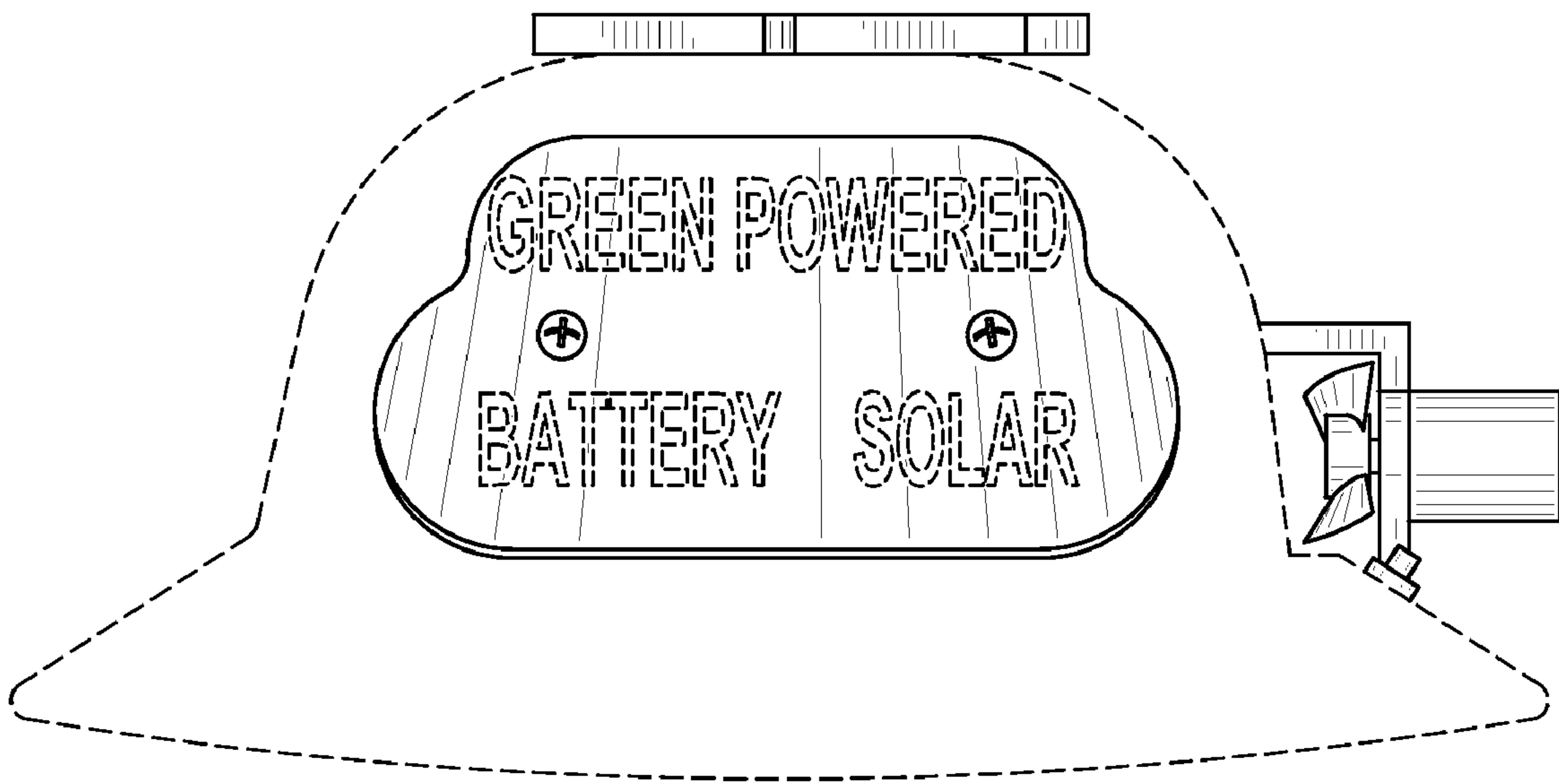


FIG. 3

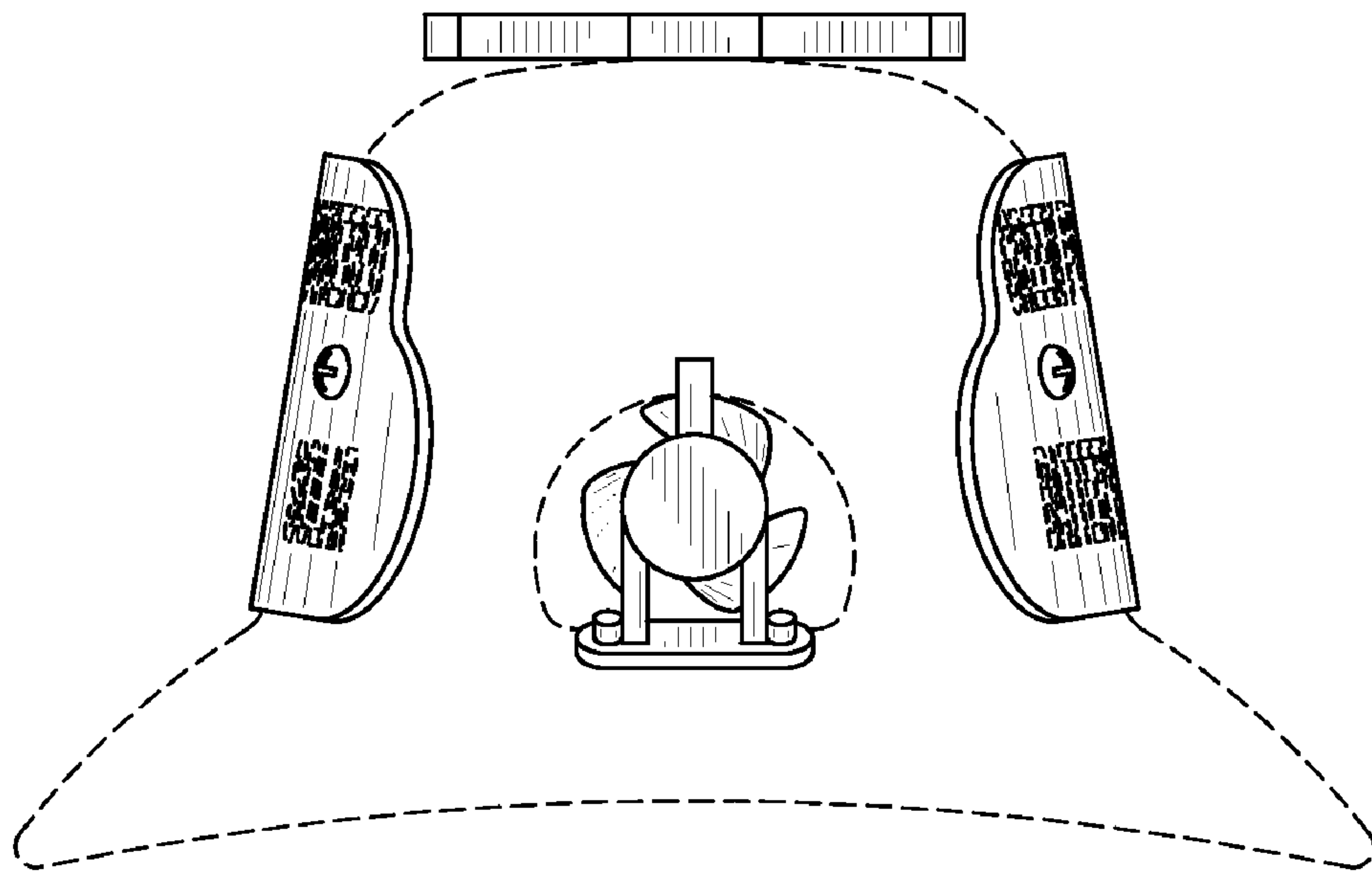


FIG 4

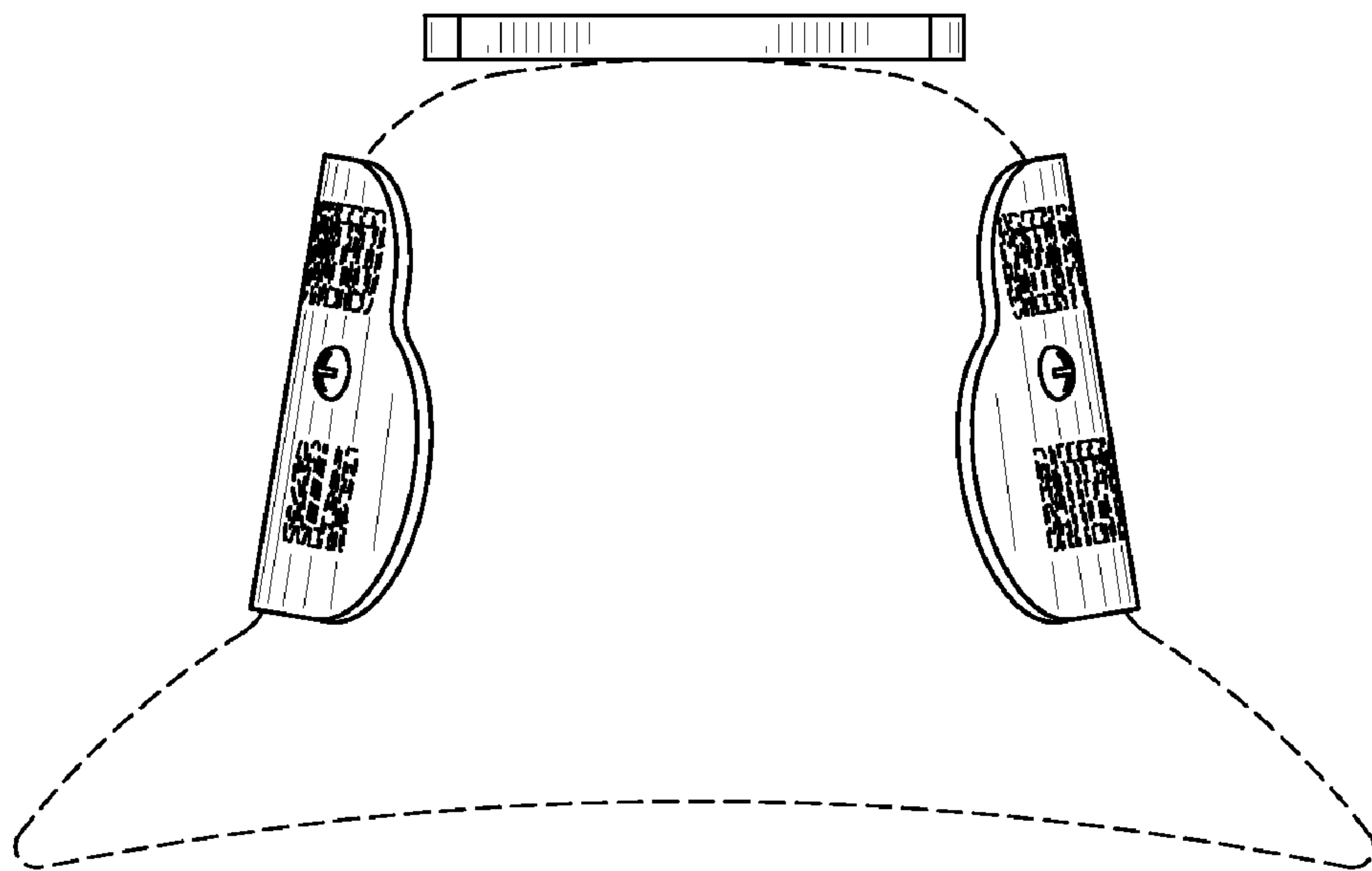


FIG. 5

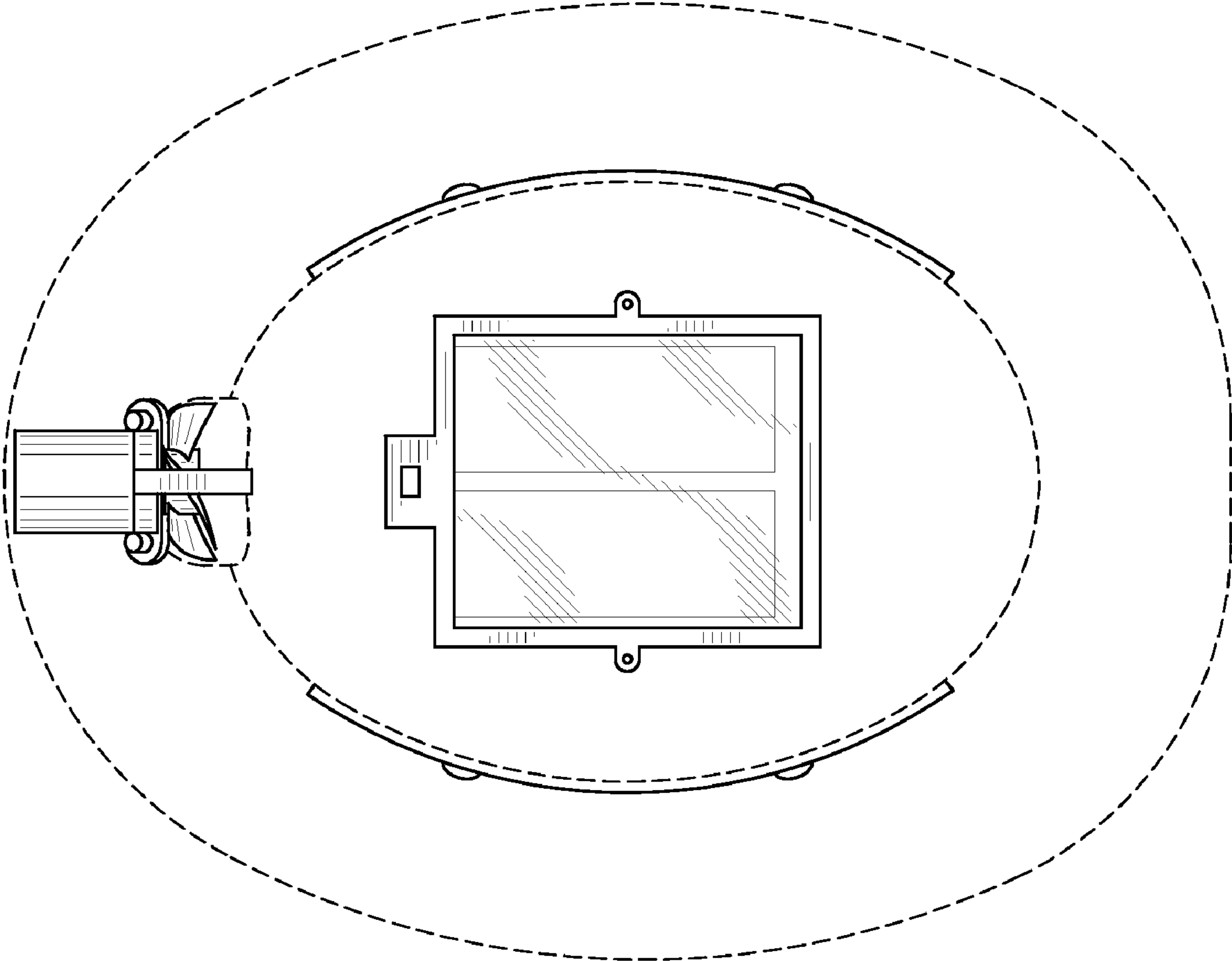


FIG. 6

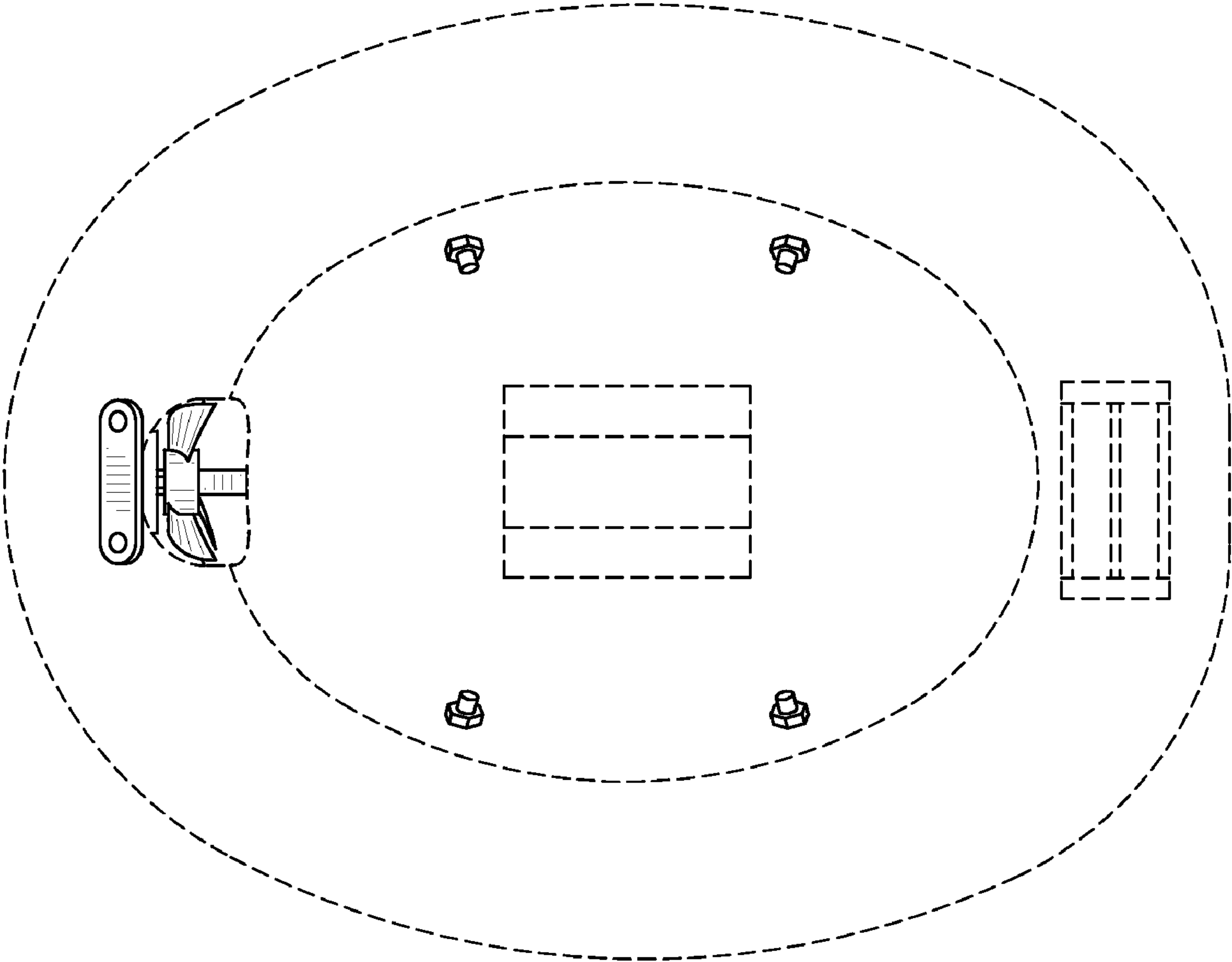


FIG. 7