



US00D612132S

(12) **United States Design Patent**
Seade

(10) **Patent No.:** **US D612,132 S**
(45) **Date of Patent:** **** Mar. 23, 2010**

(54) **VISOR WITH INTEGRATED AUDIO SYSTEM**

(76) Inventor: **John G. Seade**, 12025 South St., Artesia,
CA (US) 90701

(**) Term: **14 Years**

(21) Appl. No.: **29/340,116**

(22) Filed: **Jul. 14, 2009**

(51) **LOC (9) Cl.** **02-03**

(52) **U.S. Cl.** **D2/866**

(58) **Field of Classification Search** D2/865,
D2/866, 875, 876, 878, 879, 882, 884, 886,
D2/891, 893; D14/192; 2/171, 175.1, 183,
2/195.1, 195.2, 209.12, 209.13

See application file for complete search history.

(56) **References Cited**

U.S. PATENT DOCUMENTS

725,524	A *	4/1903	Wetmore	2/209.13
D102,811	S *	1/1937	Anderson	D14/192
2,392,377	A *	1/1946	Golding	606/204.35
D202,539	S *	10/1965	Webb	D29/102
D311,266	S *	10/1990	Parker	D2/866
D321,581	S *	11/1991	Li	D2/866
D363,157	S *	10/1995	Rodgers	D2/866
D396,738	S *	8/1998	Territo	D2/866
5,996,116	A *	12/1999	Tate	2/12
6,170,088	B1 *	1/2001	Tate	2/209.13
D459,059	S *	6/2002	Park	D2/876
6,721,962	B1 *	4/2004	Polaire	2/209.13
D496,145	S *	9/2004	Lacey	D2/866
D545,030	S *	6/2007	Fukunaga	D2/882

D565,282	S *	4/2008	Melton	D2/876
D571,082	S *	6/2008	Kelleghan	D2/872
D586,539	S *	2/2009	Hernandez	D2/893
D589,235	S *	3/2009	Kelleghan	D2/876
D593,285	S *	6/2009	Olivo	D2/893
2007/0192933	A1 *	8/2007	Kam	2/171
2007/0226876	A1 *	10/2007	Foust et al.	2/171
2009/0100559	A1 *	4/2009	Christian	2/10
2009/0210995	A1 *	8/2009	Kwon et al.	2/209.13

* cited by examiner

Primary Examiner—Elizabeth A Albert

Assistant Examiner—Karen E Eldridge Powers

(74) *Attorney, Agent, or Firm*—Julio M. Loza; Loza & Loza, LLP

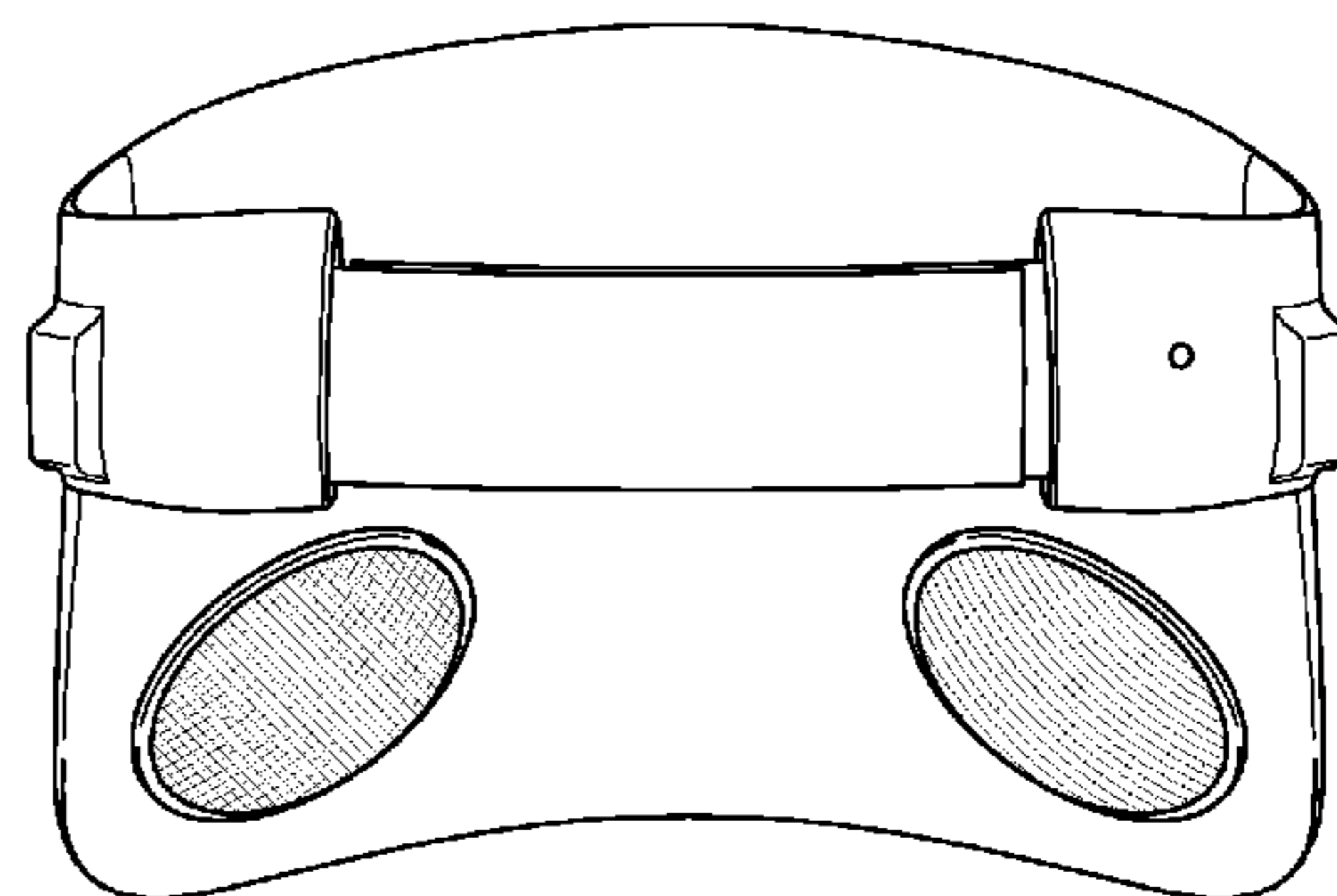
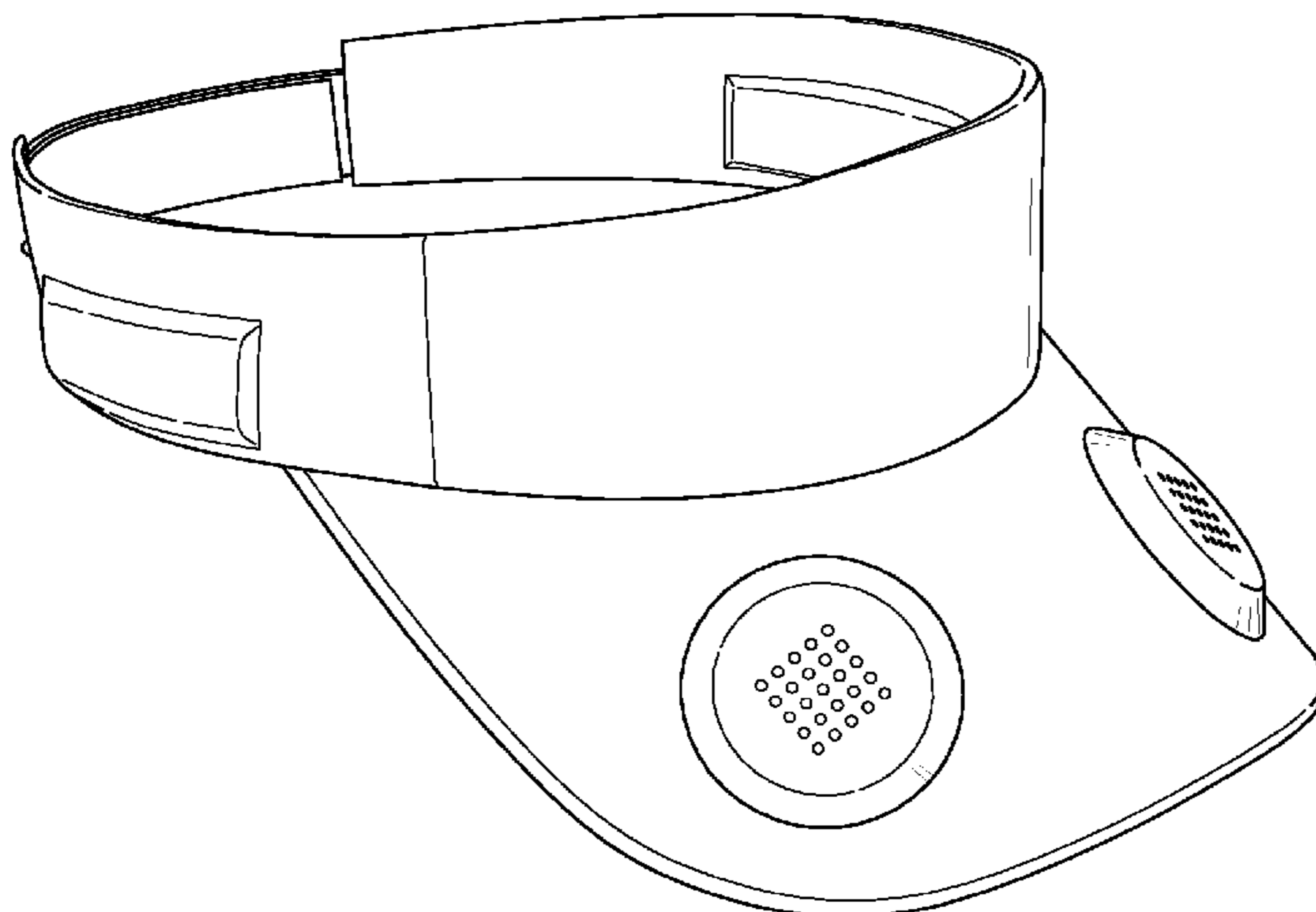
(57) **CLAIM**

The ornamental design for a visor with integrated audio system, as shown and described.

DESCRIPTION

FIG. 1 is a perspective view of the present invention;
FIG. 2 is a front elevation view of the present invention;
FIG. 3 is a rear elevation view of the present invention;
FIG. 4 is a left side elevation view of the present invention;
FIG. 5 is a right side elevation view of the present invention;
FIG. 6 is a top plan view of the present invention;
FIG. 7 is a bottom plan view of the present invention; and,
FIG. 8 is a further perspective view of the present invention.

1 Claim, 6 Drawing Sheets



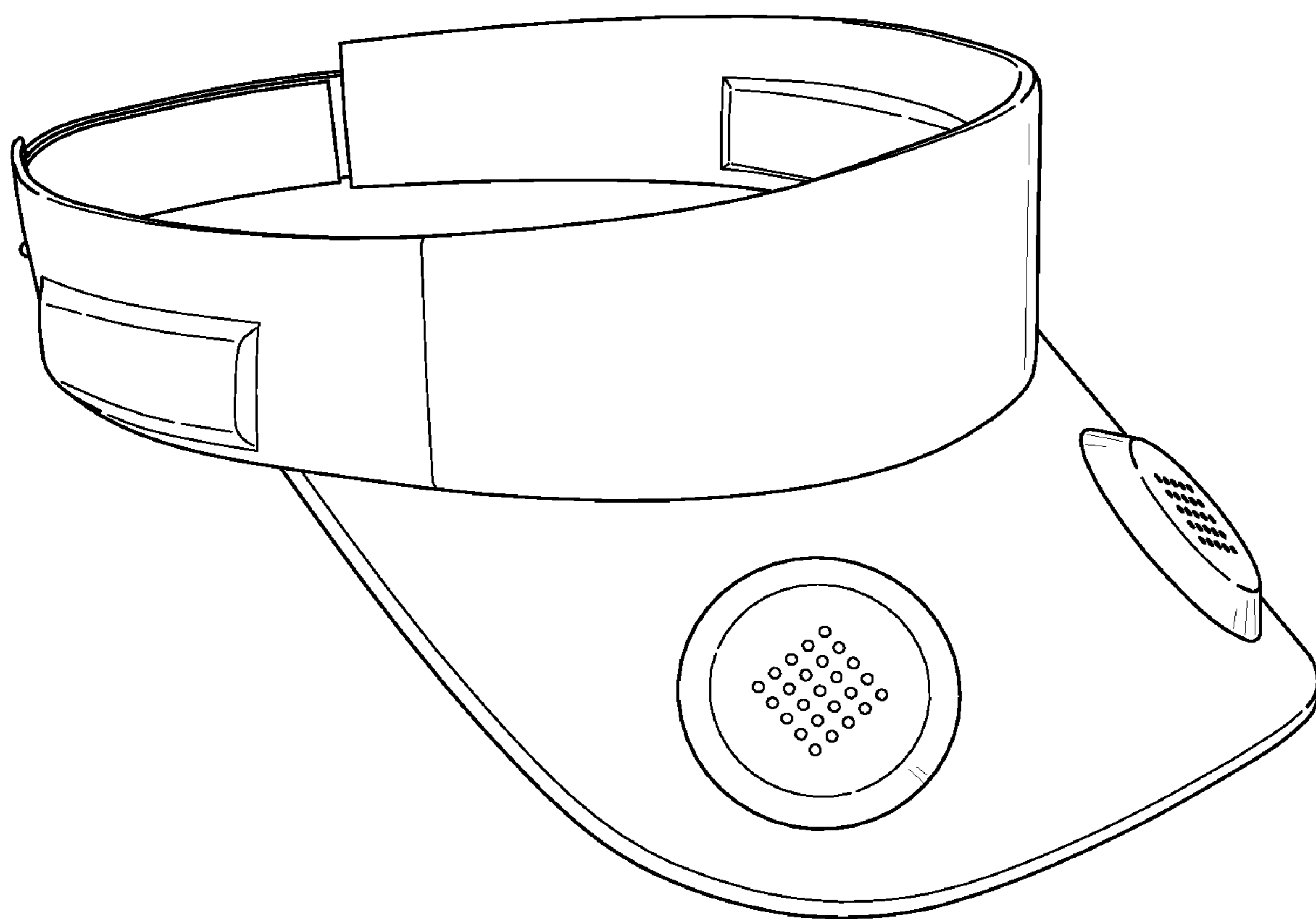


FIG. 1

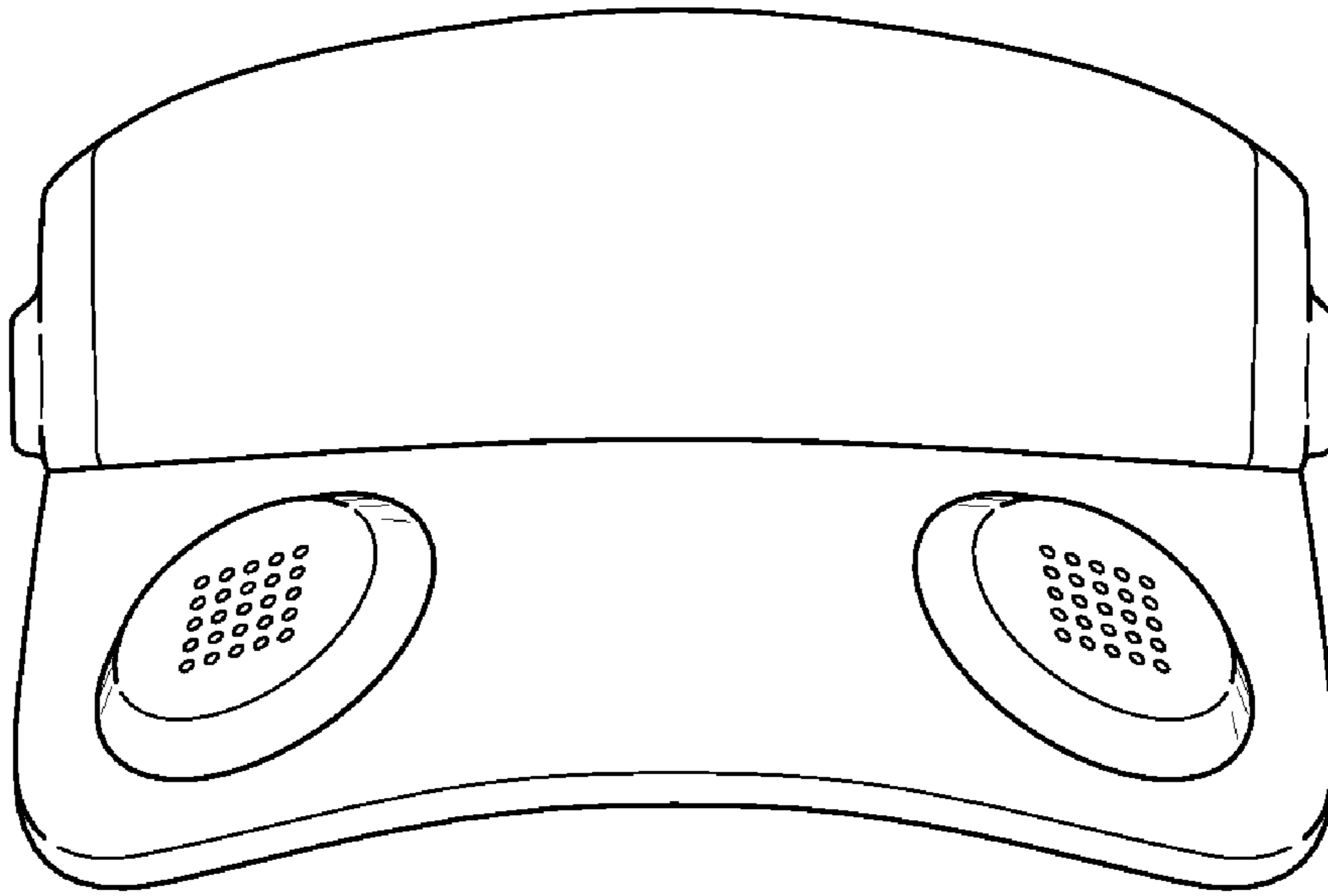


FIG. 2

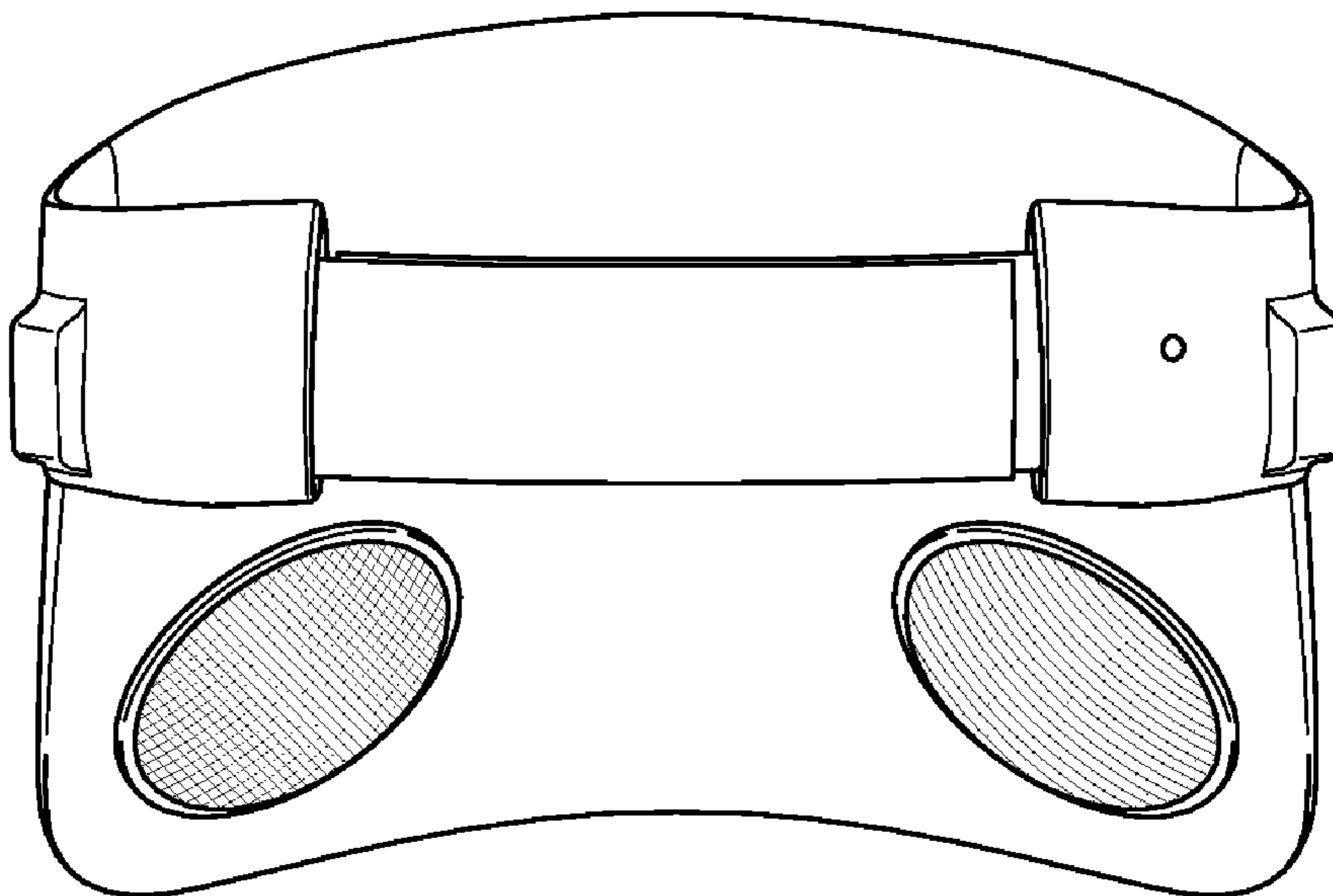


FIG. 3

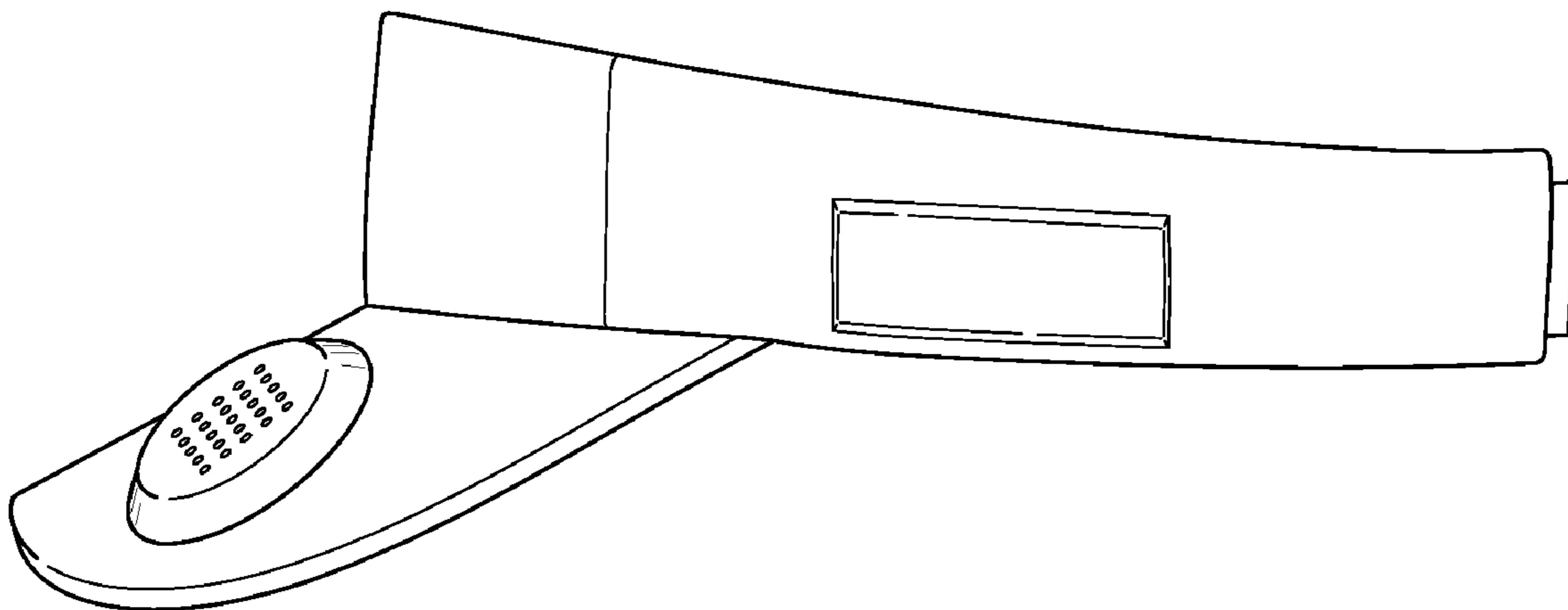


FIG. 4

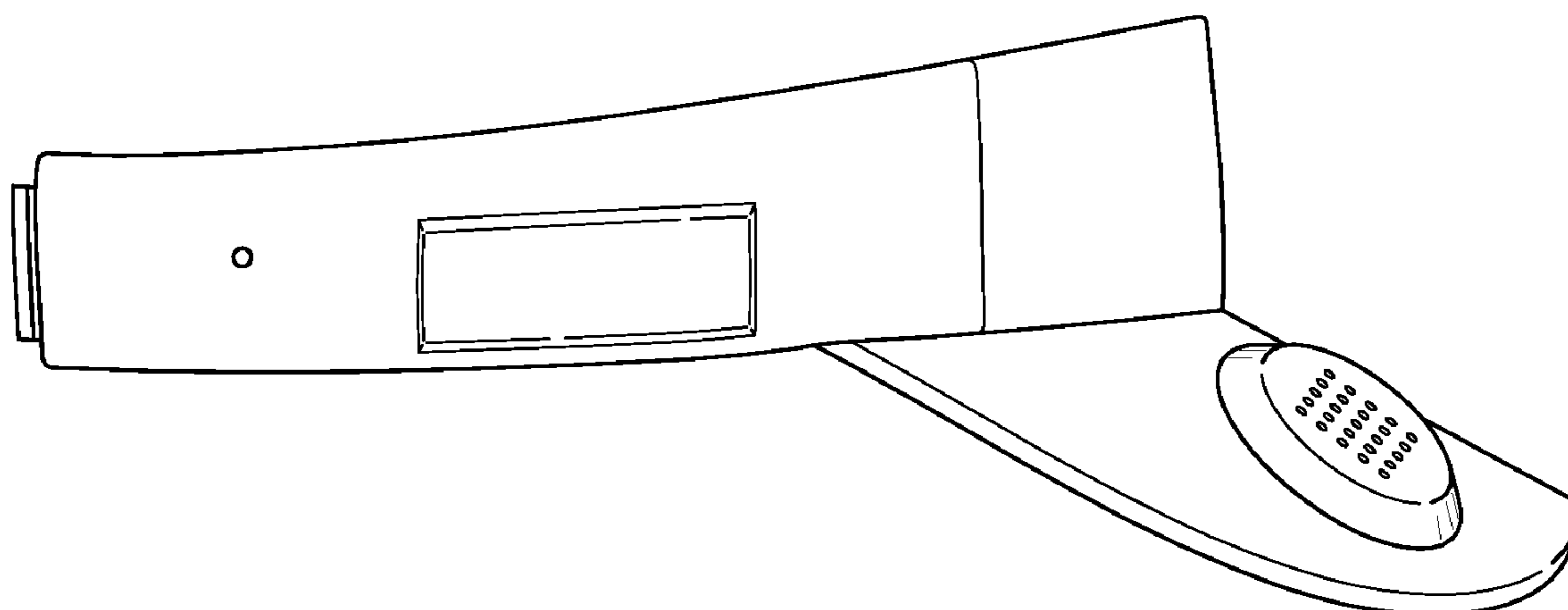


FIG. 5

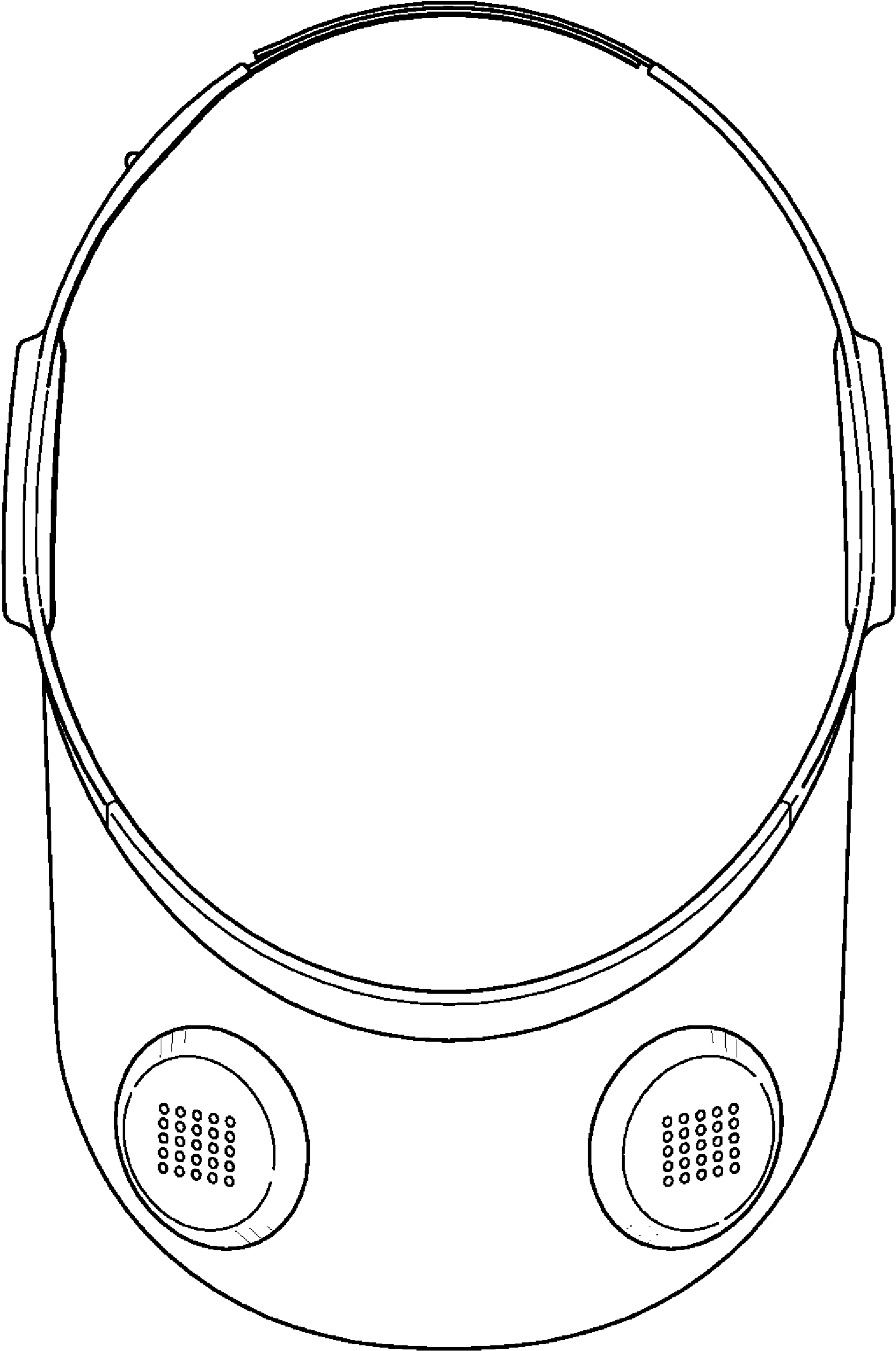


FIG. 6

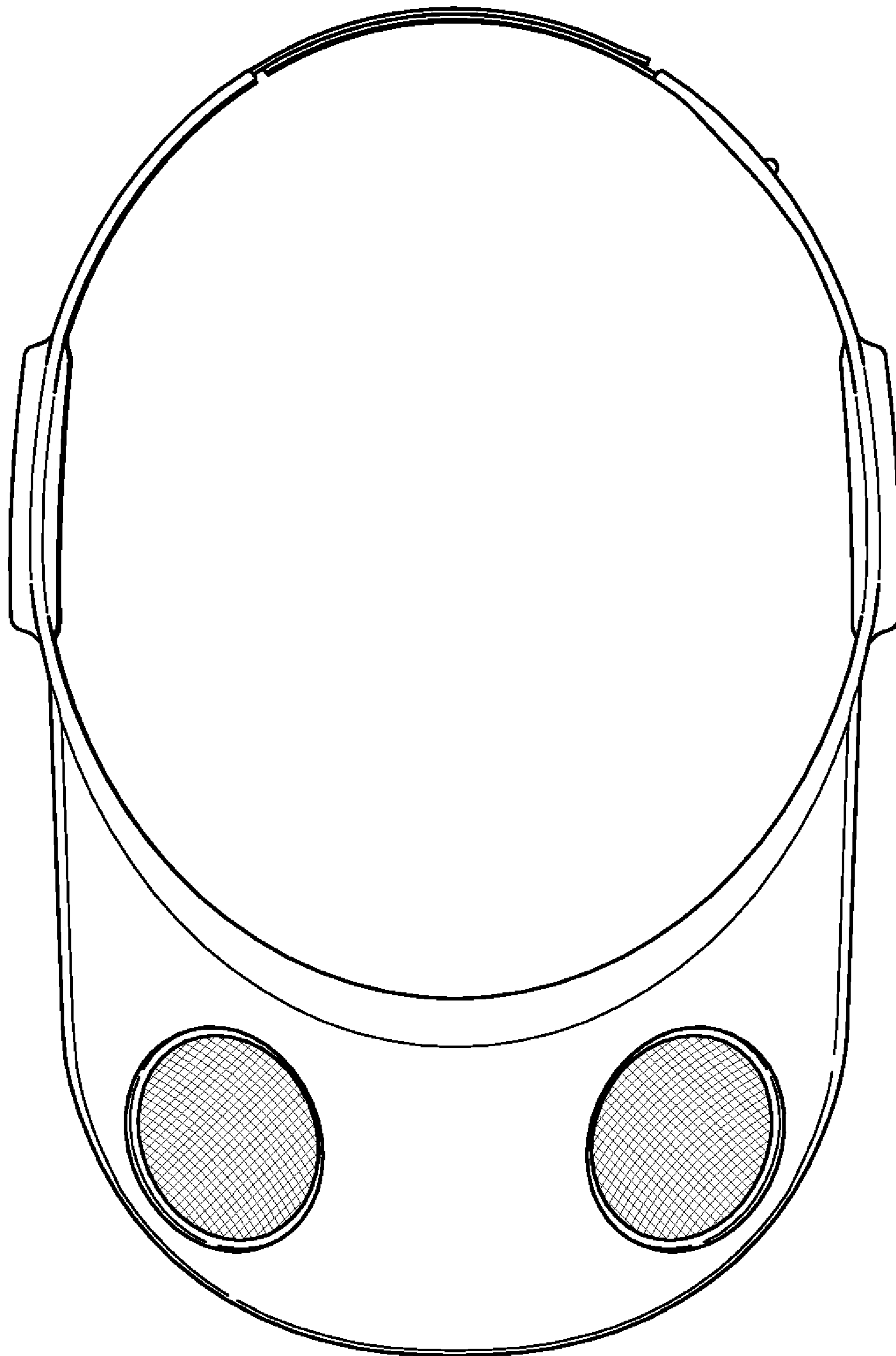


FIG. 7

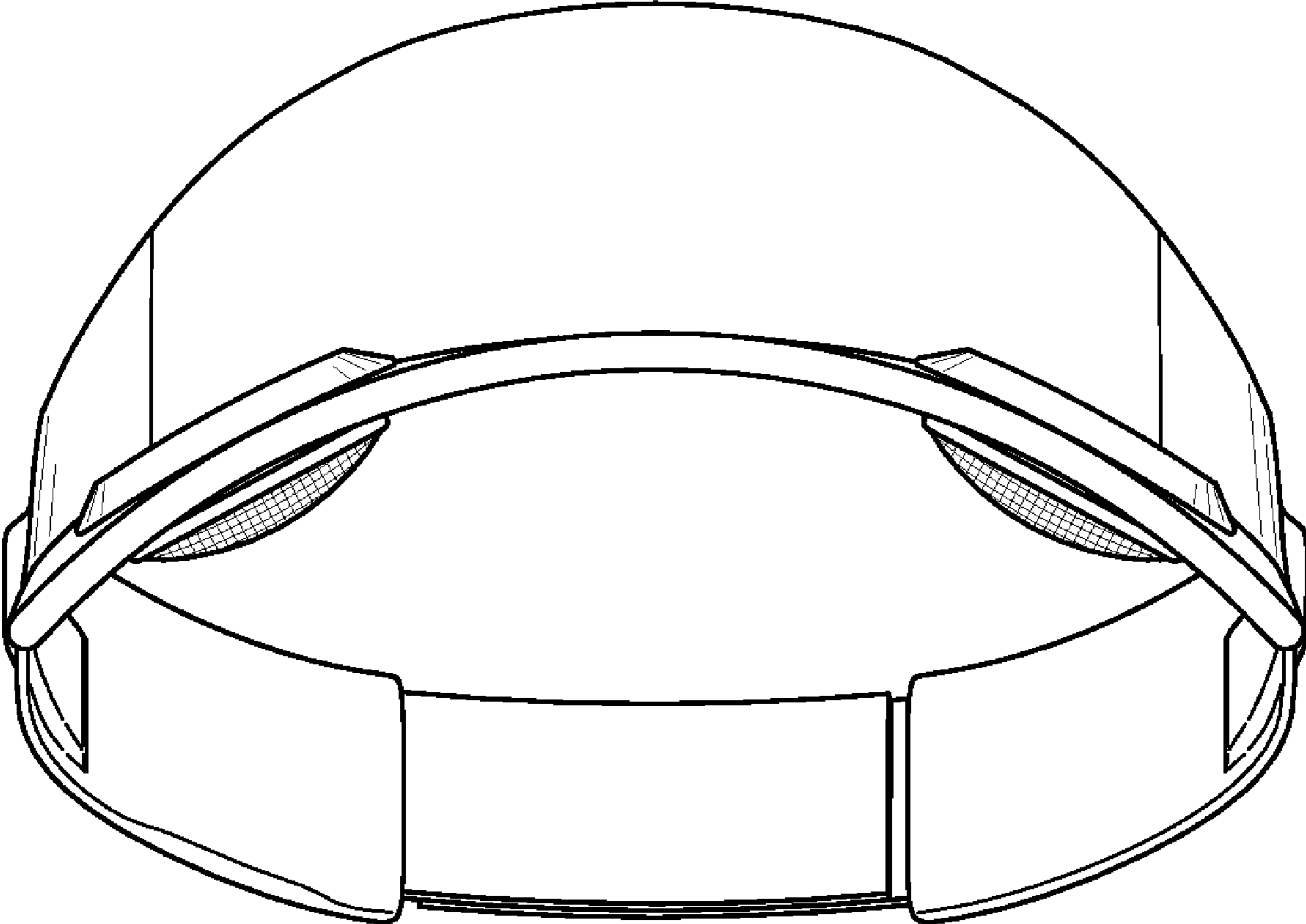


FIG. 8