



US00D612124S

(12) **United States Design Patent**
Rossini et al.

(10) **Patent No.:** **US D612,124 S**
(45) **Date of Patent:** **** Mar. 16, 2010**

(54) **MOBILE CART, PEDESTAL ASSEMBLY**

2007/0266913 A1 11/2007 Hardt

(75) Inventors: **Alfred P. Rossini**, Southborough, MA (US); **Louis F. Genatossio**, Shrewsbury, MA (US)

(73) Assignee: **Jaco, Inc.**, Franklin, MA (US)

(**) Term: **14 Years**

(21) Appl. No.: **29/337,786**

(22) Filed: **May 29, 2009**

(51) **LOC (9) Cl.** **12-02**

(52) **U.S. Cl.** **D34/27; D34/12**

(58) **Field of Classification Search** D34/12-27;
280/47.34, 79.3, 47.35, 47.26; 248/129,
248/174; 211/135, 153, 19; D6/426, 422;
108/50.01, 59

See application file for complete search history.

(56) **References Cited**

U.S. PATENT DOCUMENTS

3,715,148	A *	2/1973	Beals	312/209
3,910,659	A *	10/1975	Peterson	312/226
D339,441	S *	9/1993	Marchant et al.	D34/21
D426,691	S	6/2000	Johnson et al.		
6,484,747	B2	11/2002	Bridgers		
D486,915	S	2/2004	Warschewske et al.		
D493,977	S	8/2004	Rossini et al.		
D497,462	S	10/2004	Ryan		
D518,267	S	3/2006	Arceta		
D534,746	S	1/2007	Rossini et al.		
D536,151	S	1/2007	Rossini et al.		
D539,794	S	4/2007	Rossini et al.		
D548,519	S	8/2007	Ray		
D553,324	S *	10/2007	Lieblein et al.	D34/14
2005/0045072	A1	3/2005	Rossini et al.		
2005/0178298	A1	8/2005	Rossini et al.		
2007/0001413	A1	1/2007	Rossini et al.		
2007/0227409	A1	10/2007	Chu		

OTHER PUBLICATIONS

Mobile Cart, Pedestal Assembly; U.S. Appl. No. 29/318,718, filed May 27, 2008; Inventor: Alfred P. Rossini.
Mobile Cart, Pedestal Assembly; U.S. Appl. No. 29/318,722, filed May 27, 2008; Inventor: Alfred P. Rossini.
Mobile Cart, Pedestal Assembly; U.S. Appl. No. 29/337,770, filed May 29, 2009; Inventor: Alfred P. Rossini.
Mobile Cart, Pedestal Assembly; U.S. Appl. No. 29/337,782, filed May 29, 2009; Inventor: Alfred P. Rossini.

* cited by examiner

Primary Examiner—Cynthia E Ramirez

(74) *Attorney, Agent, or Firm*—Brian M. Dingman; Mirick, O'Connell, DeMallie & Lougee, LLP

(57) **CLAIM**

The ornamental design for a mobile cart, pedestal assembly, as shown and described.

DESCRIPTION

FIG. 1 is a perspective view of the mobile cart, pedestal assembly of the invention;

FIG. 2 is a front view of the mobile cart, pedestal assembly of FIG. 1;

FIG. 3 is a rear view of the mobile cart, pedestal assembly of FIG. 1;

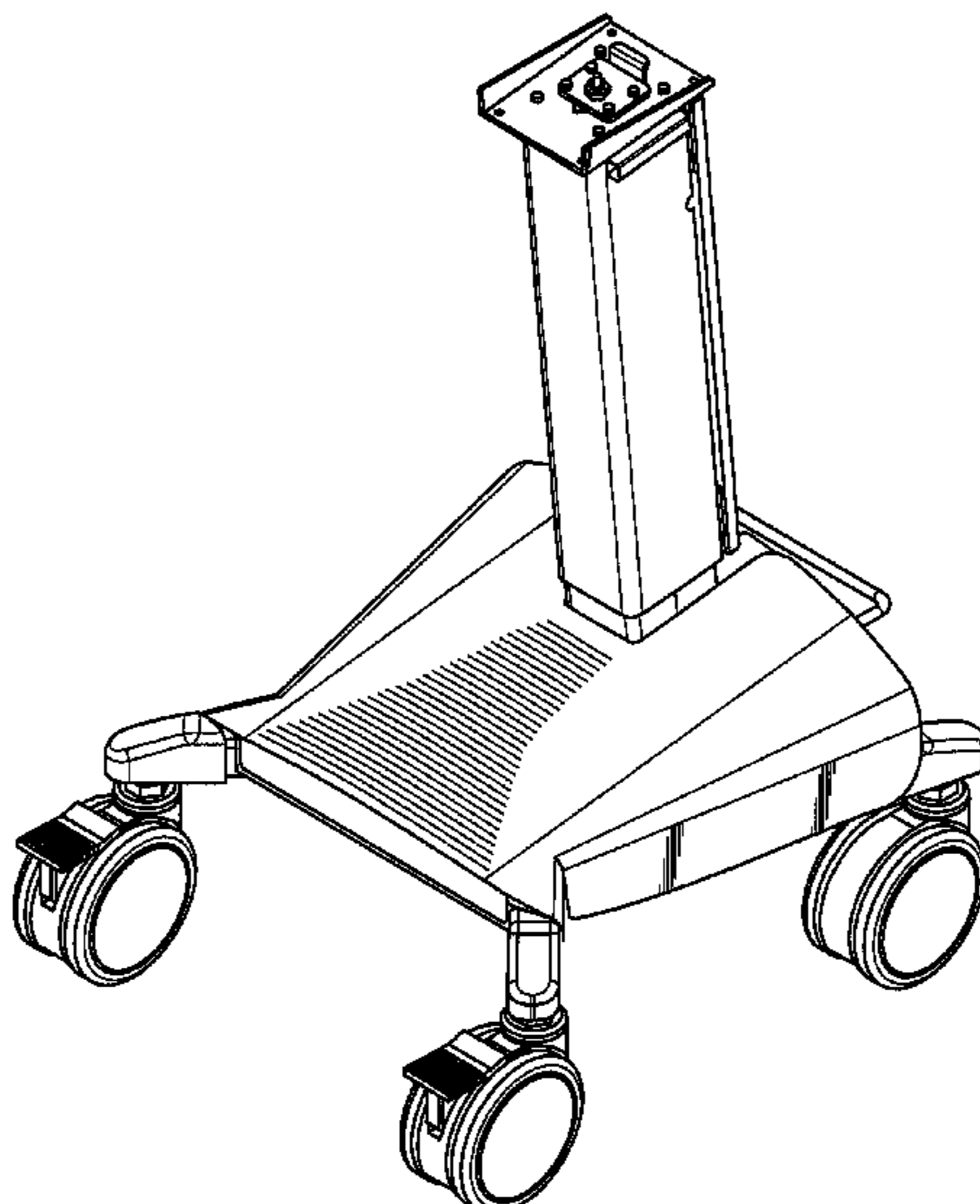
FIG. 4 is a left side view of the mobile cart, pedestal assembly of FIG. 1;

FIG. 5 is a right side view of the mobile cart, pedestal assembly of FIG. 1;

FIG. 6 is a top view of the mobile cart, pedestal assembly of FIG. 1; and,

FIG. 7 is a bottom view of the mobile cart, pedestal assembly of FIG. 1.

1 Claim, 7 Drawing Sheets



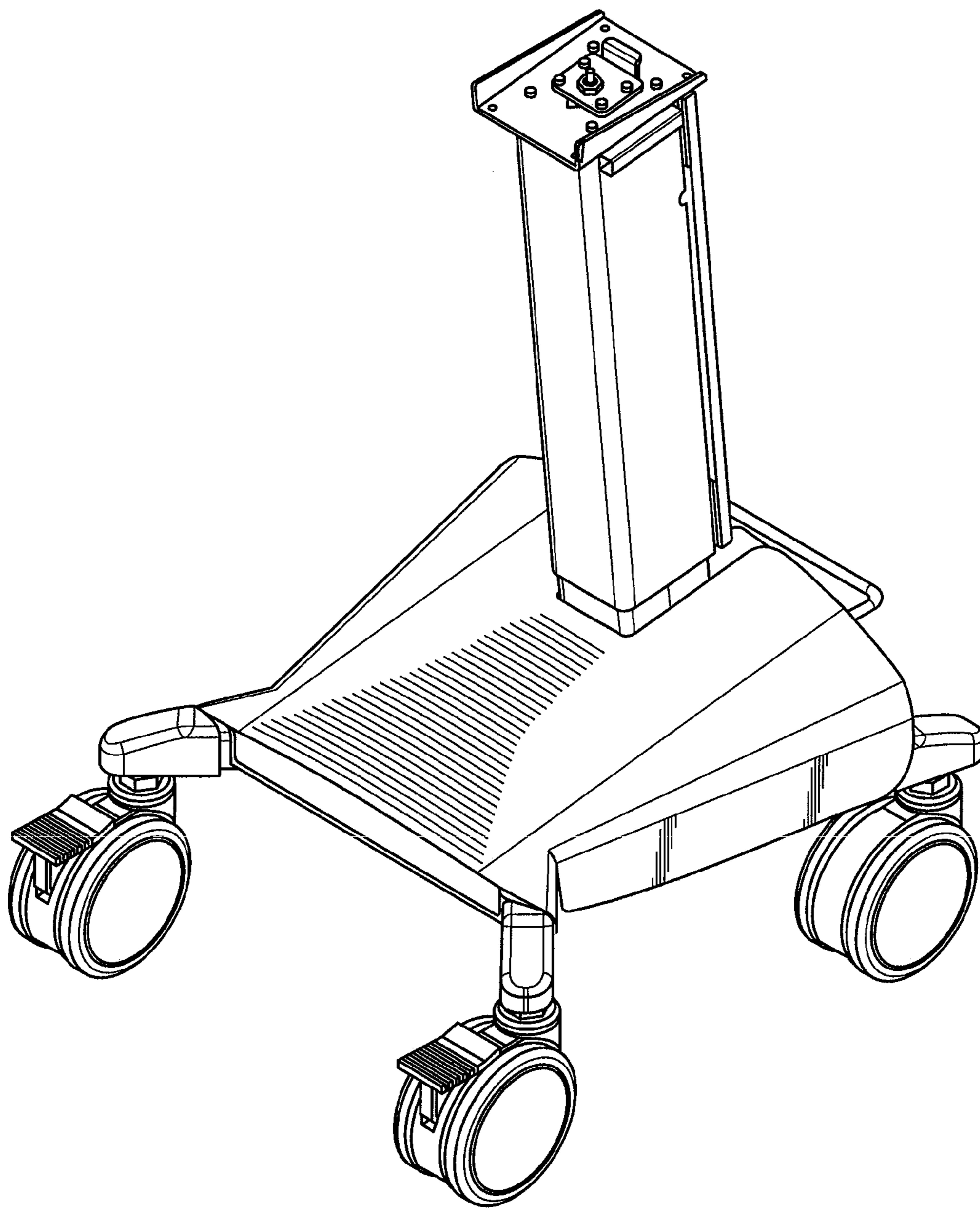


FIG. 1

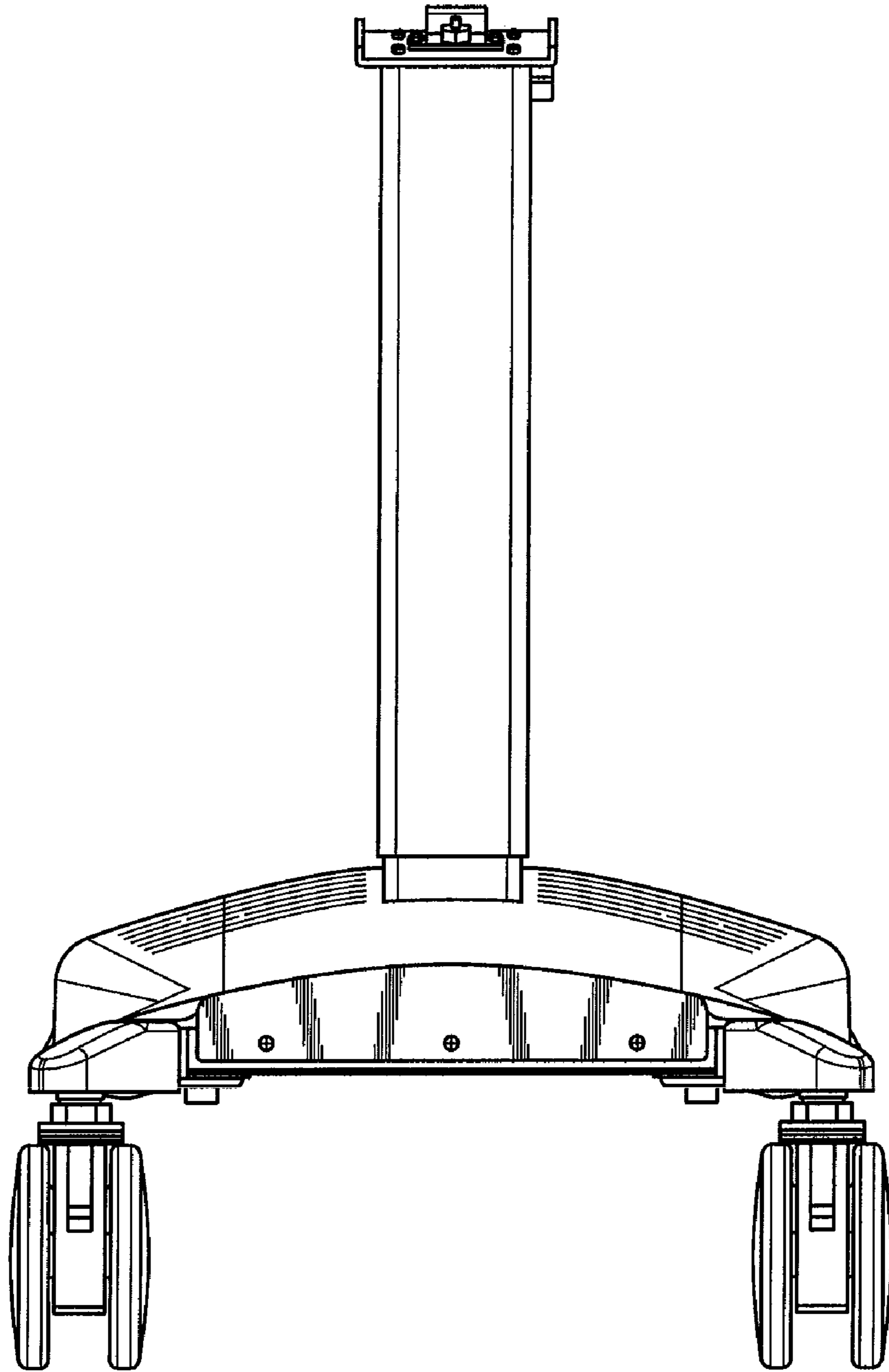


FIG. 2

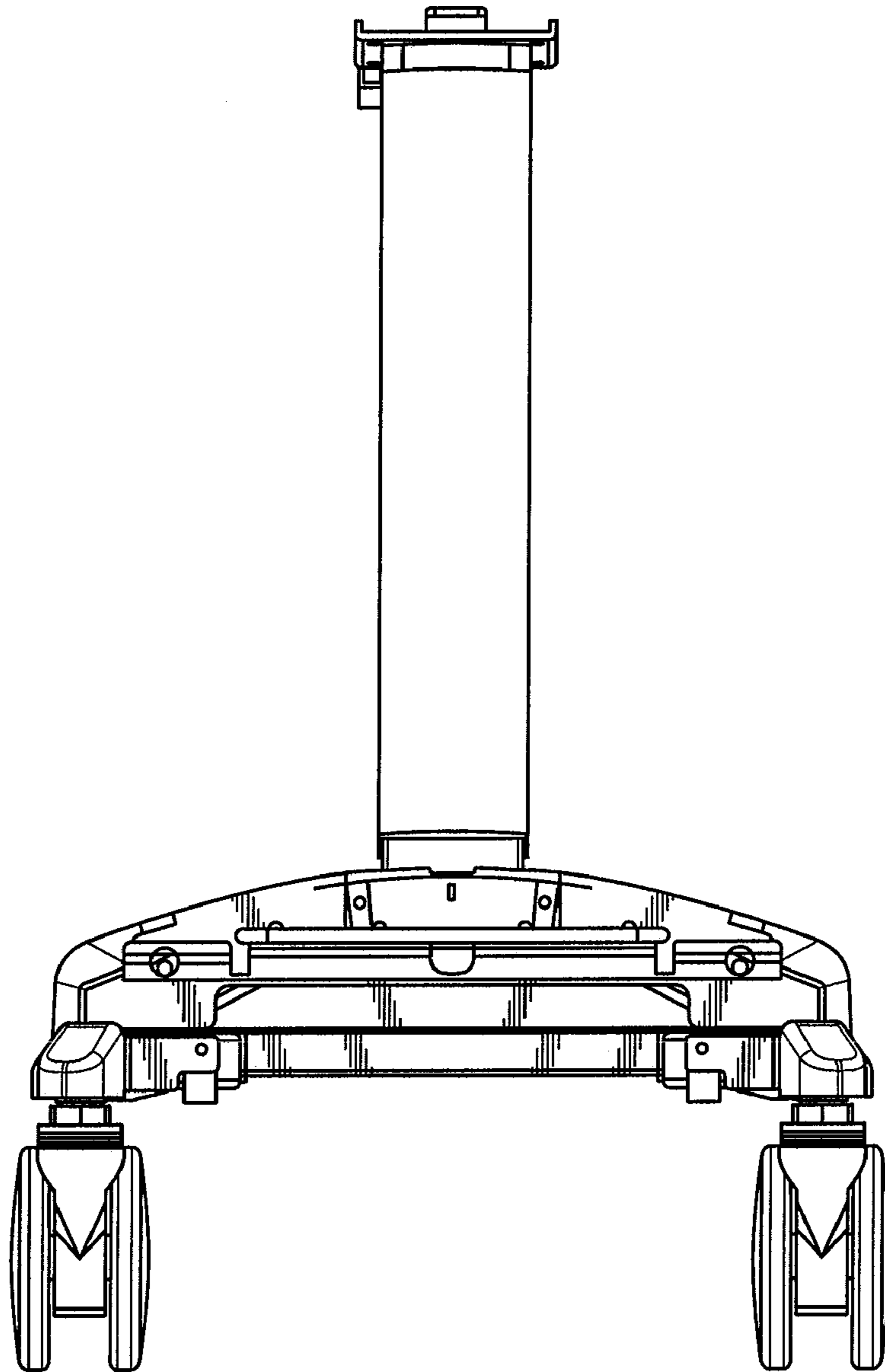


FIG. 3

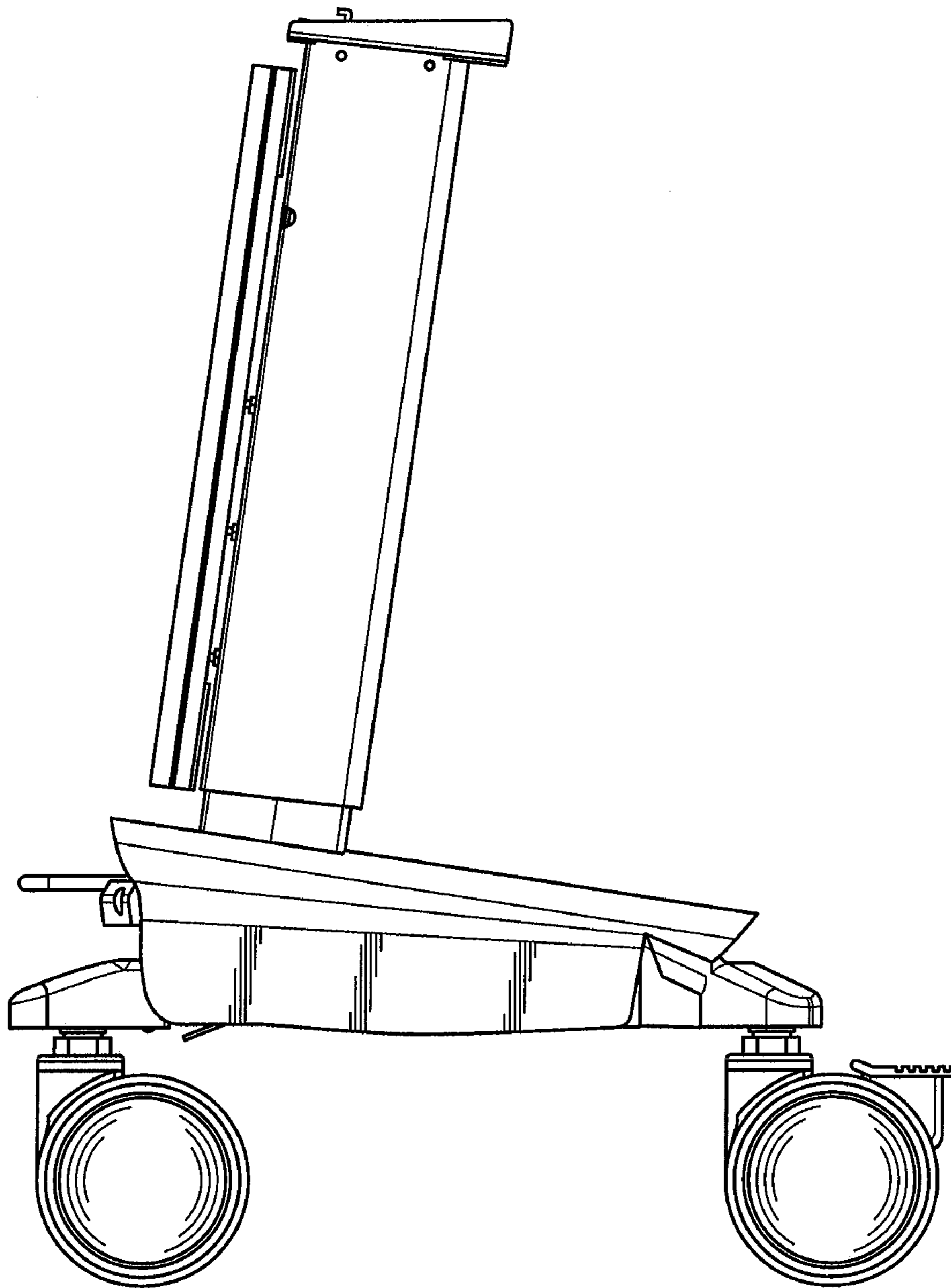


FIG. 4

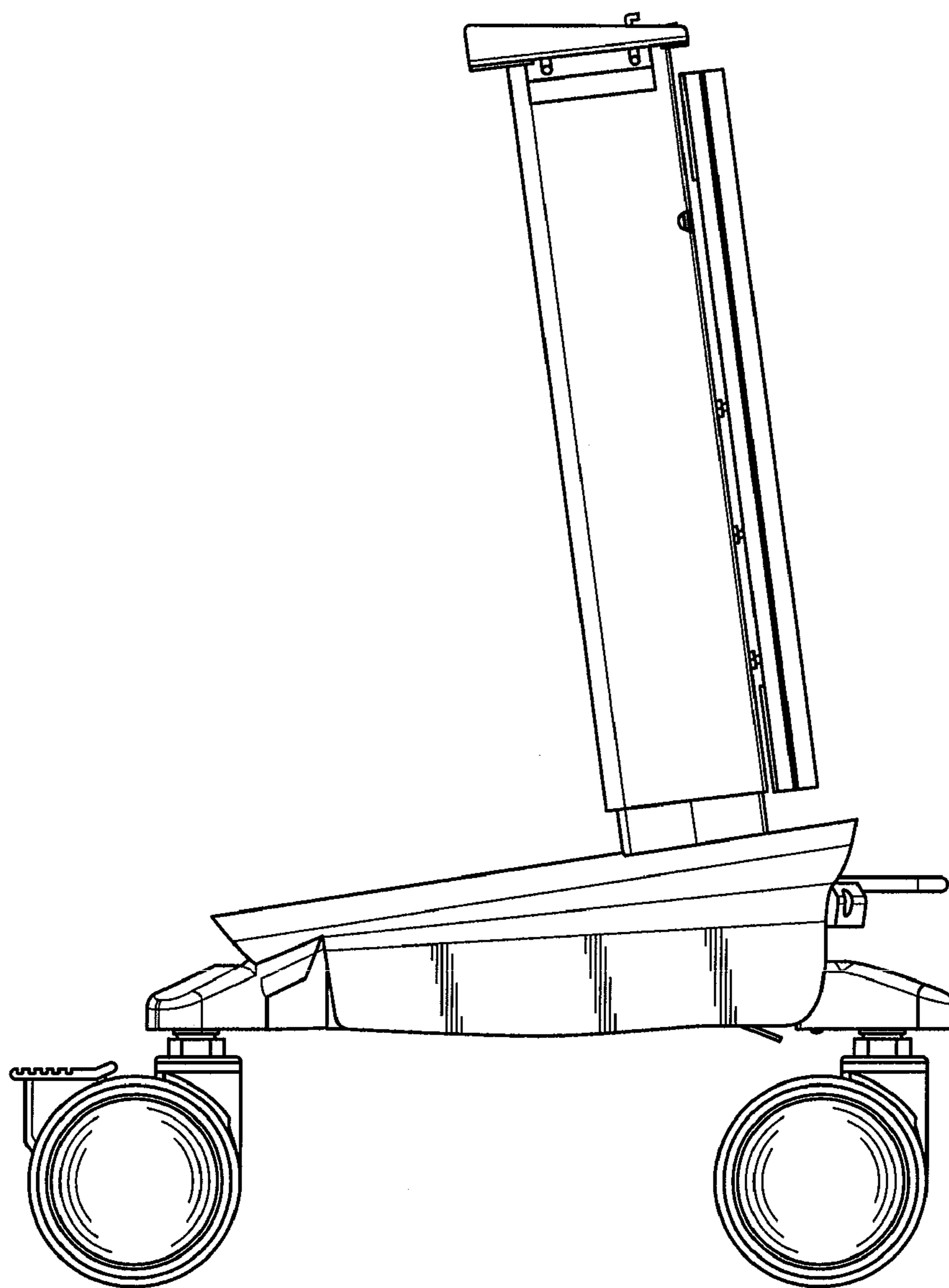


FIG. 5

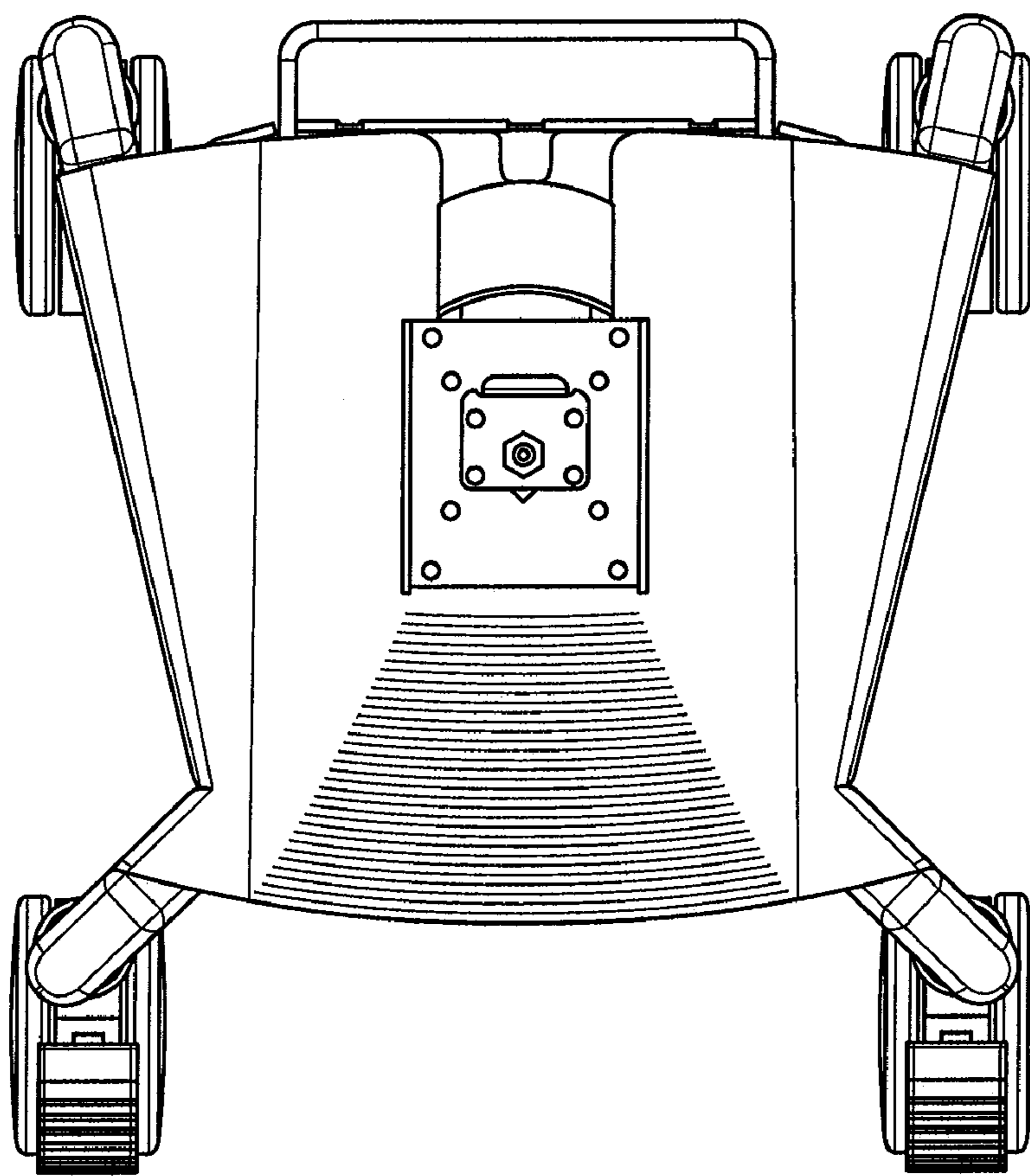


FIG. 6

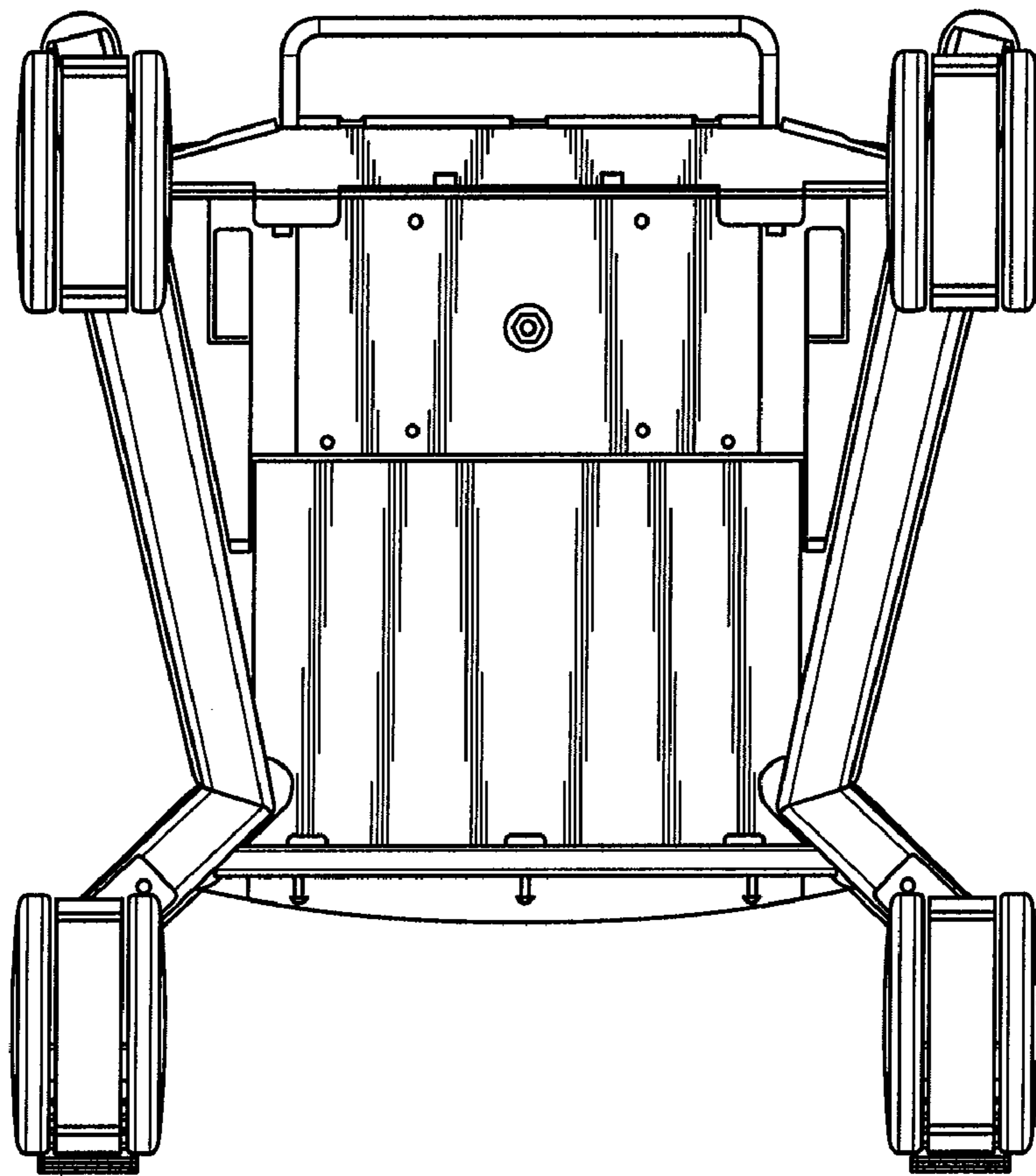


FIG. 7