



US00D612122S

(12) **United States Design Patent**
Wolford et al.

(10) **Patent No.:** **US D612,122 S**
(45) **Date of Patent:** **** Mar. 16, 2010**

(54) **SPORT HELMET SHAPED LID FOR RECEPTACLE**

(75) Inventors: **Stephen Wolford**, Phoenix, MD (US);
Clint Jorgenson, Belair, MD (US);
Larry Burd, Forest Hill, MD (US)

(73) Assignee: **Fan Cans, LLC**, Phoenix, MD (US)

(**) Term: **14 Years**

(21) Appl. No.: **29/313,694**

(22) Filed: **Feb. 3, 2009**

Related U.S. Application Data

(62) Division of application No. 29/289,551, filed on Jul. 23, 2007, now Pat. No. Des. 586,063, which is a division of application No. 29/230,329, filed on May 19, 2005, now Pat. No. Des. 547,516.

(51) **LOC (9) Cl.** **09-09**

(52) **U.S. Cl.** **D34/4**

(58) **Field of Classification Search** D34/1,
D34/4, 10, 11; D7/604, 606, 625; D9/441,
D9/451, 435; D11/133, 172, 184, 157; 220/908
See application file for complete search history.

(56) **References Cited**

U.S. PATENT DOCUMENTS

D209,219 S * 11/1967 Goldstein D99/37

D379,023 S * 4/1997 August D99/37
D507,181 S * 7/2005 Malik D9/451
D532,172 S * 11/2006 Gianfrisco D34/4
D547,516 S * 7/2007 Wolford et al. D34/4
D586,063 S * 2/2009 Wolford et al. D34/4

* cited by examiner

Primary Examiner—Cynthia E Ramirez

(74) *Attorney, Agent, or Firm*—Whiteford, Taylor & Preston LLP; Gregory M Stone; Jeffrey C. Maynard

(57) **CLAIM**

The ornamental design for a sport helmet shaped lid for receptacle, as shown and described.

DESCRIPTION

FIG. 1 is top view of the present invention in the form of a sport helmet shaped lid for receptacle;

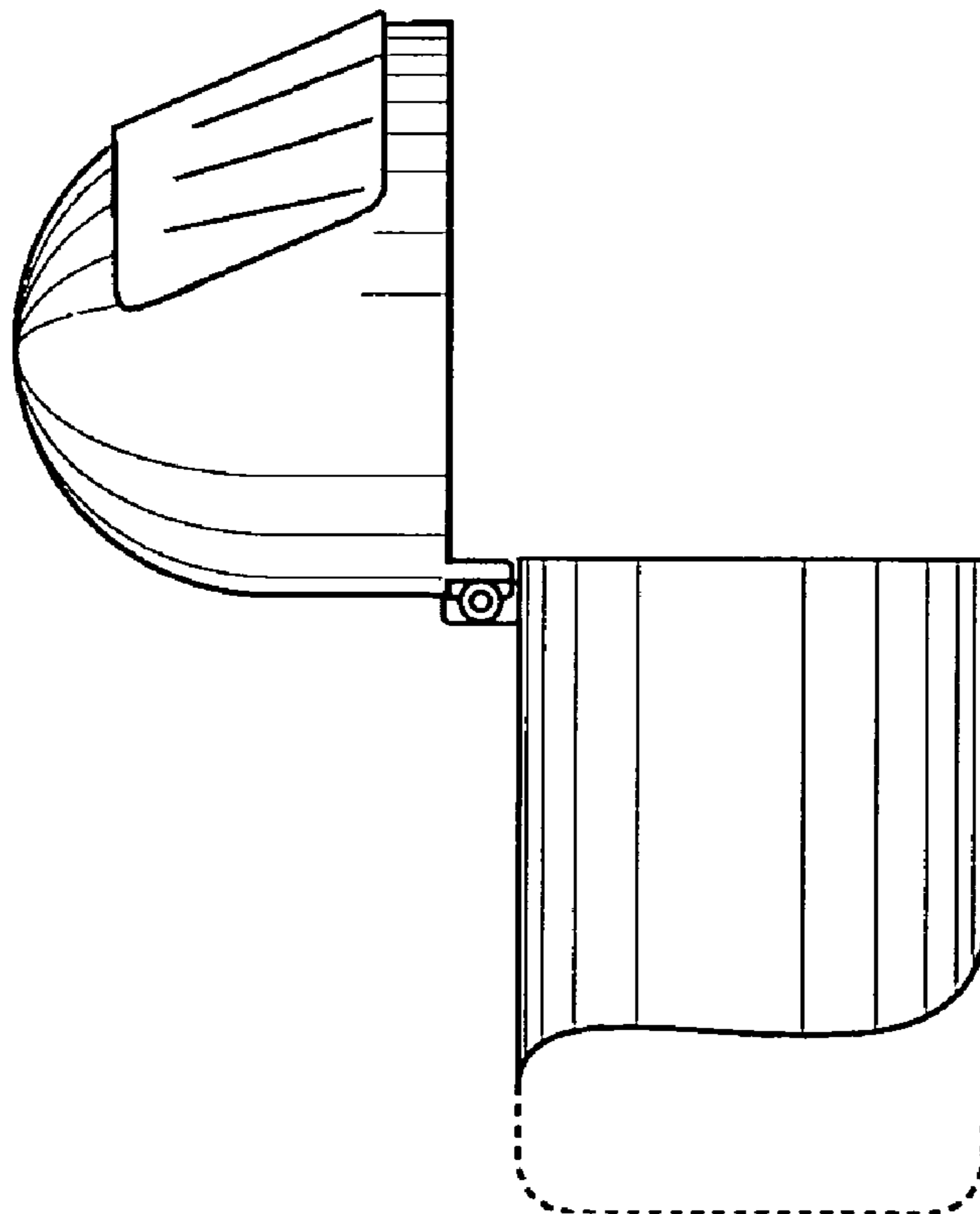
FIG. 2 is a right side view thereof showing the receptacle's top flipped upward;

FIG. 3 is a front view thereof;

FIG. 4 is a right side view thereof showing the receptacle's top closed; and,

FIG. 5 is a bottom view thereof.

1 Claim, 3 Drawing Sheets



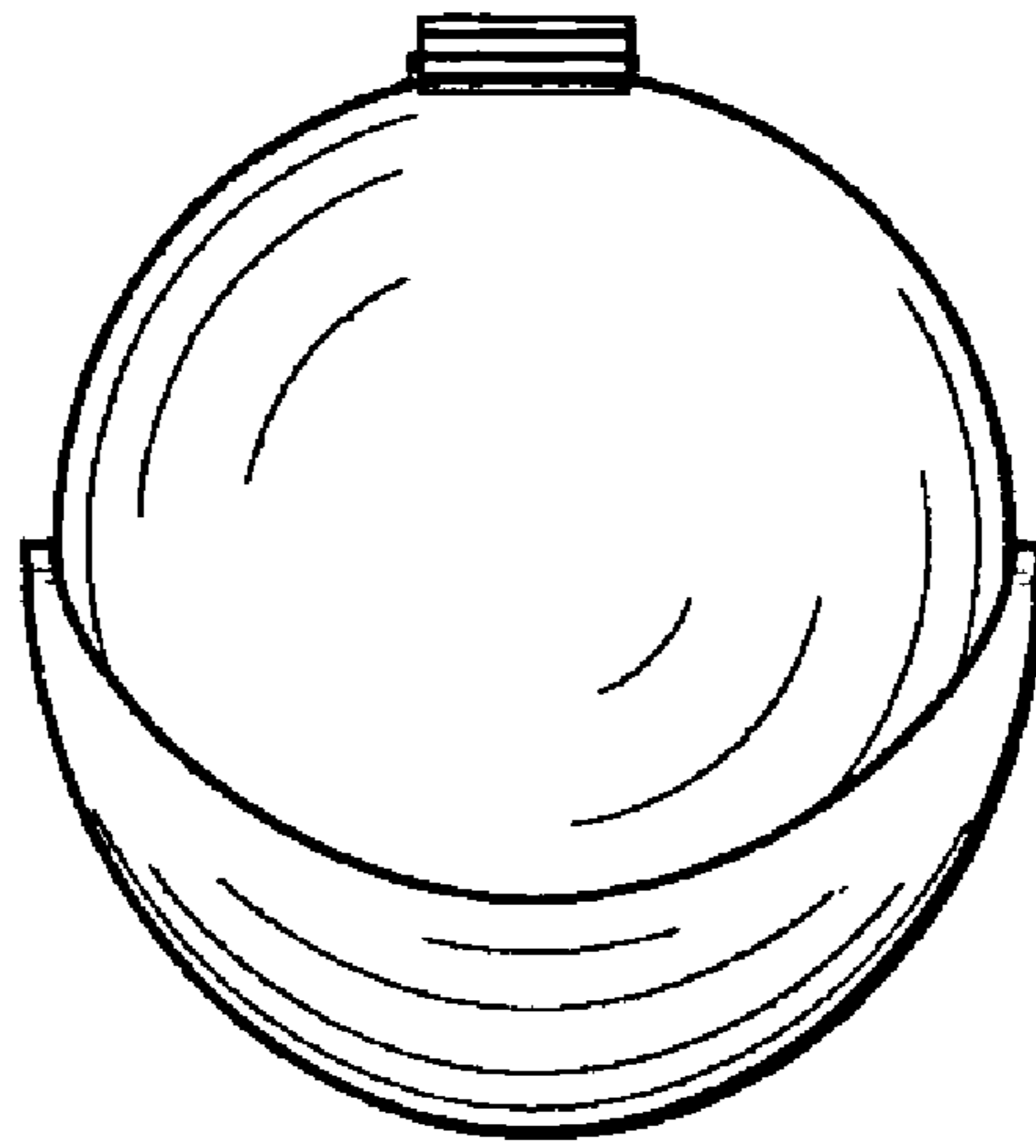


FIG. 1

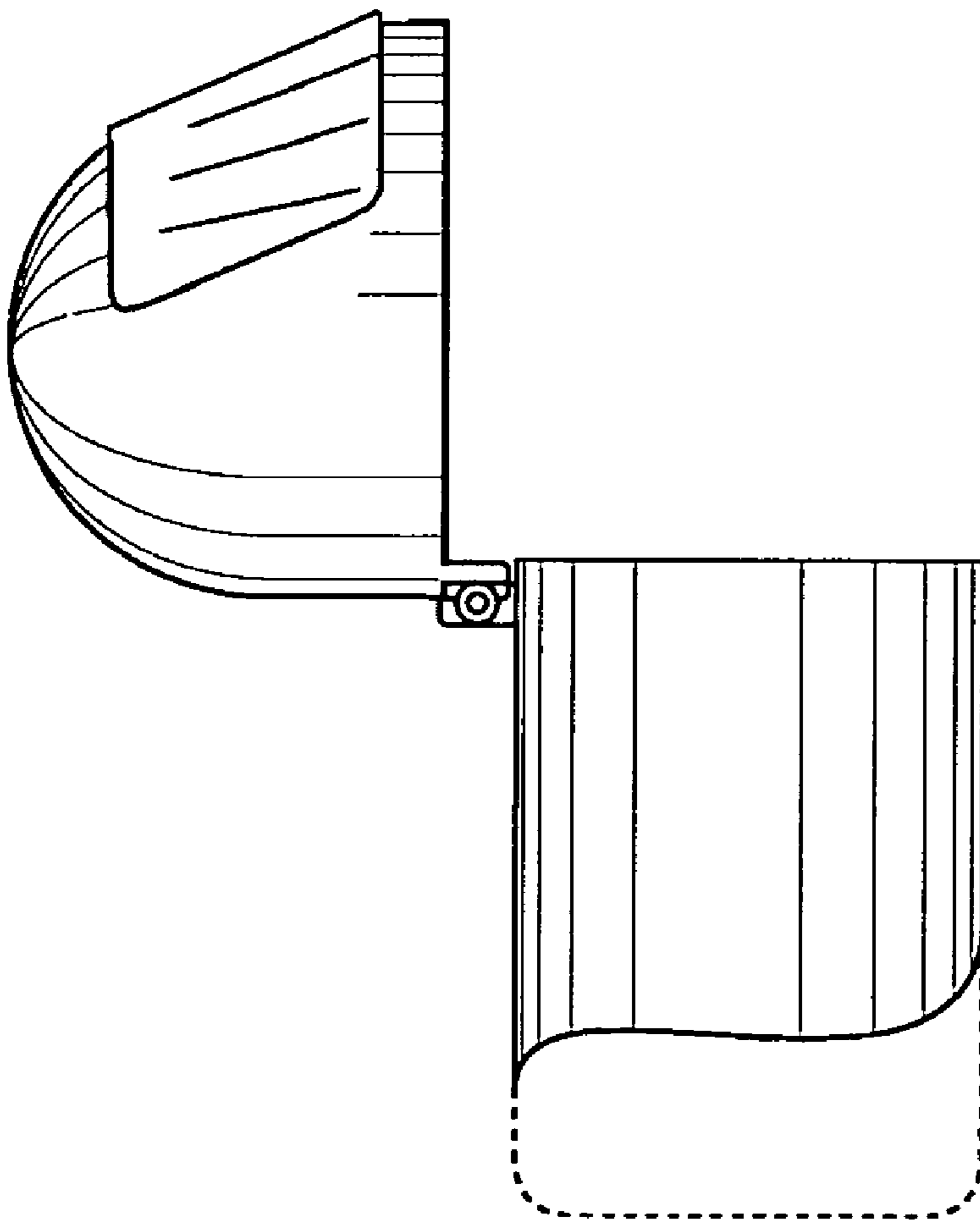


FIG. 2

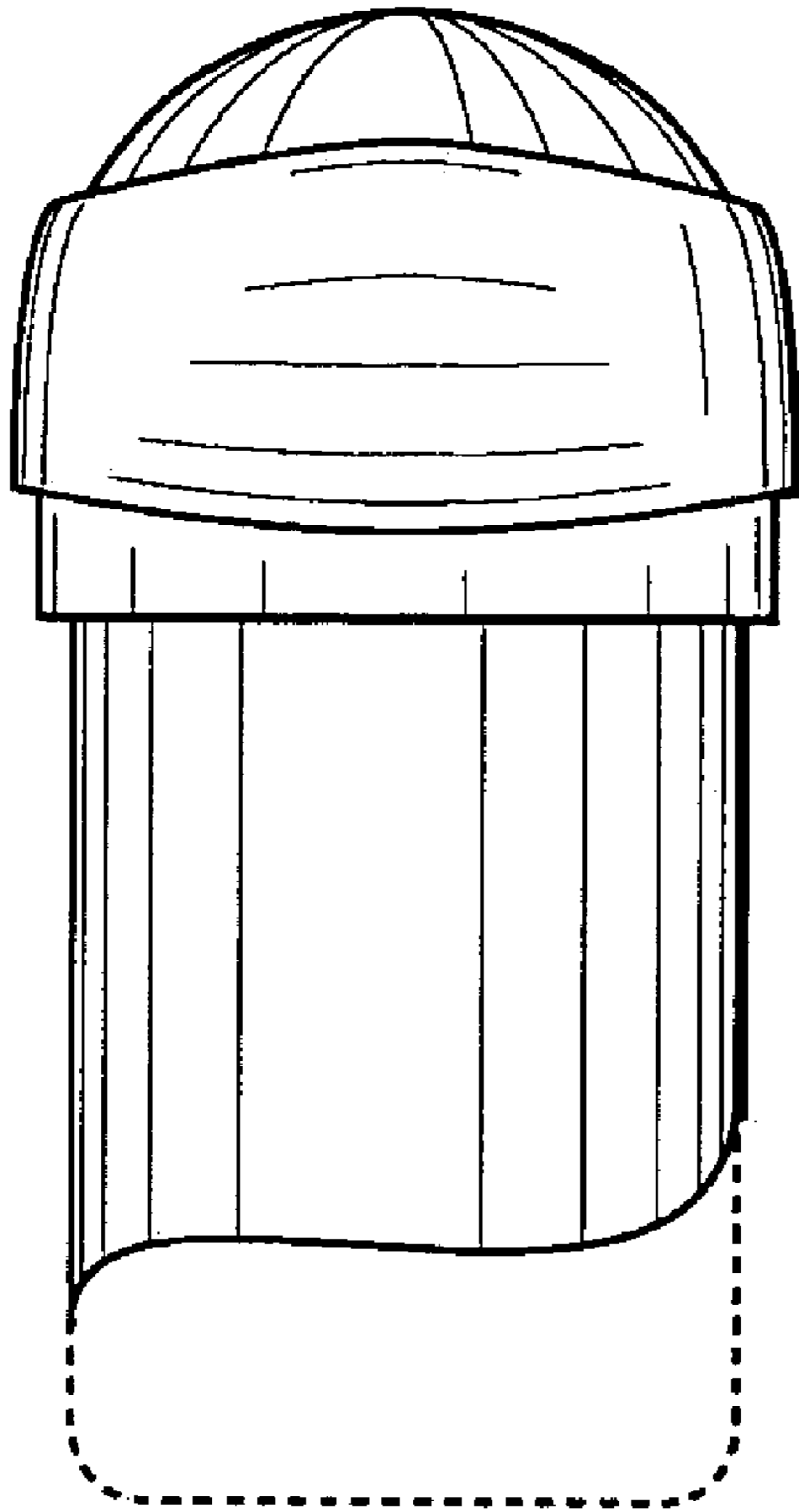


FIG. 3

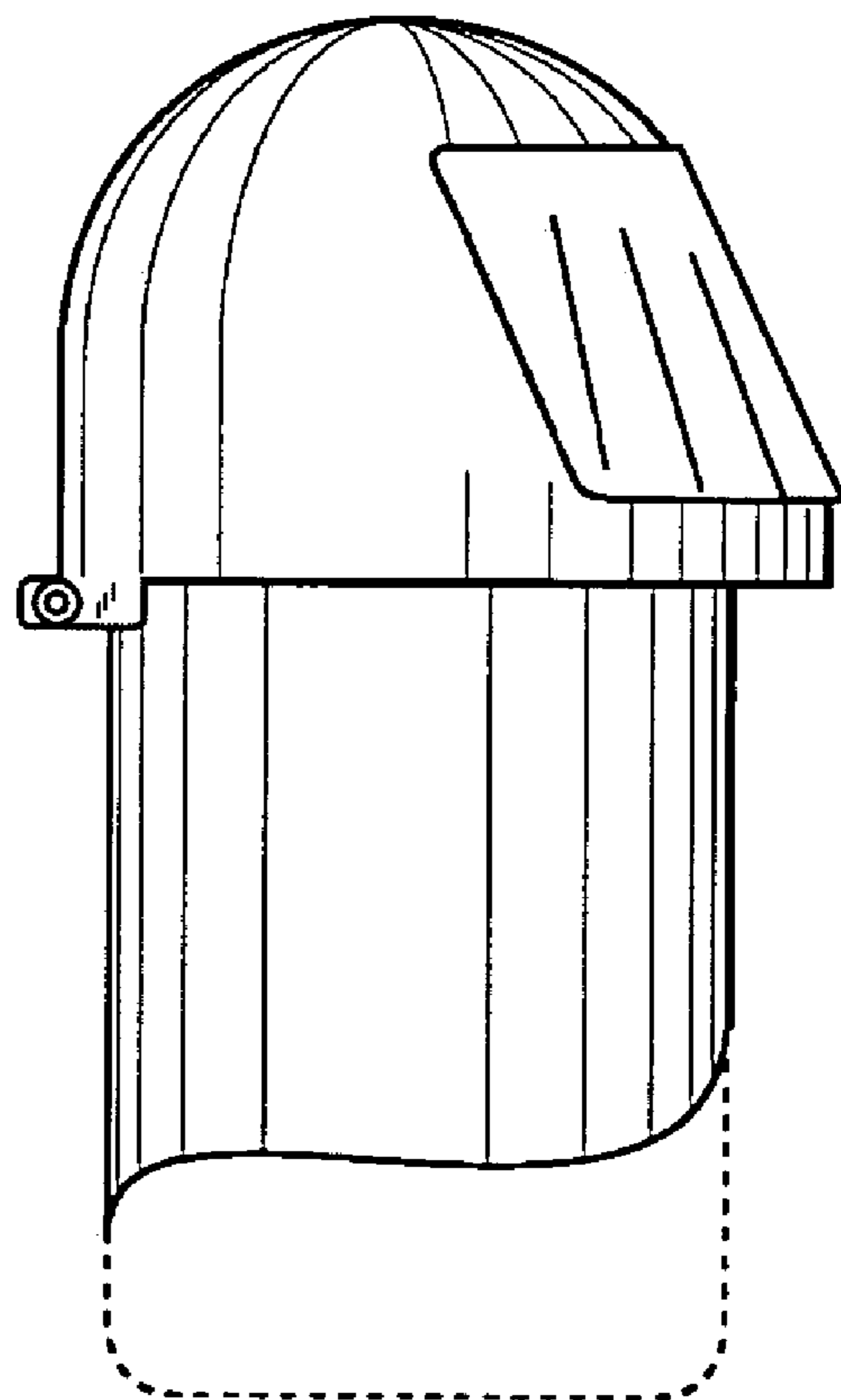


FIG. 4

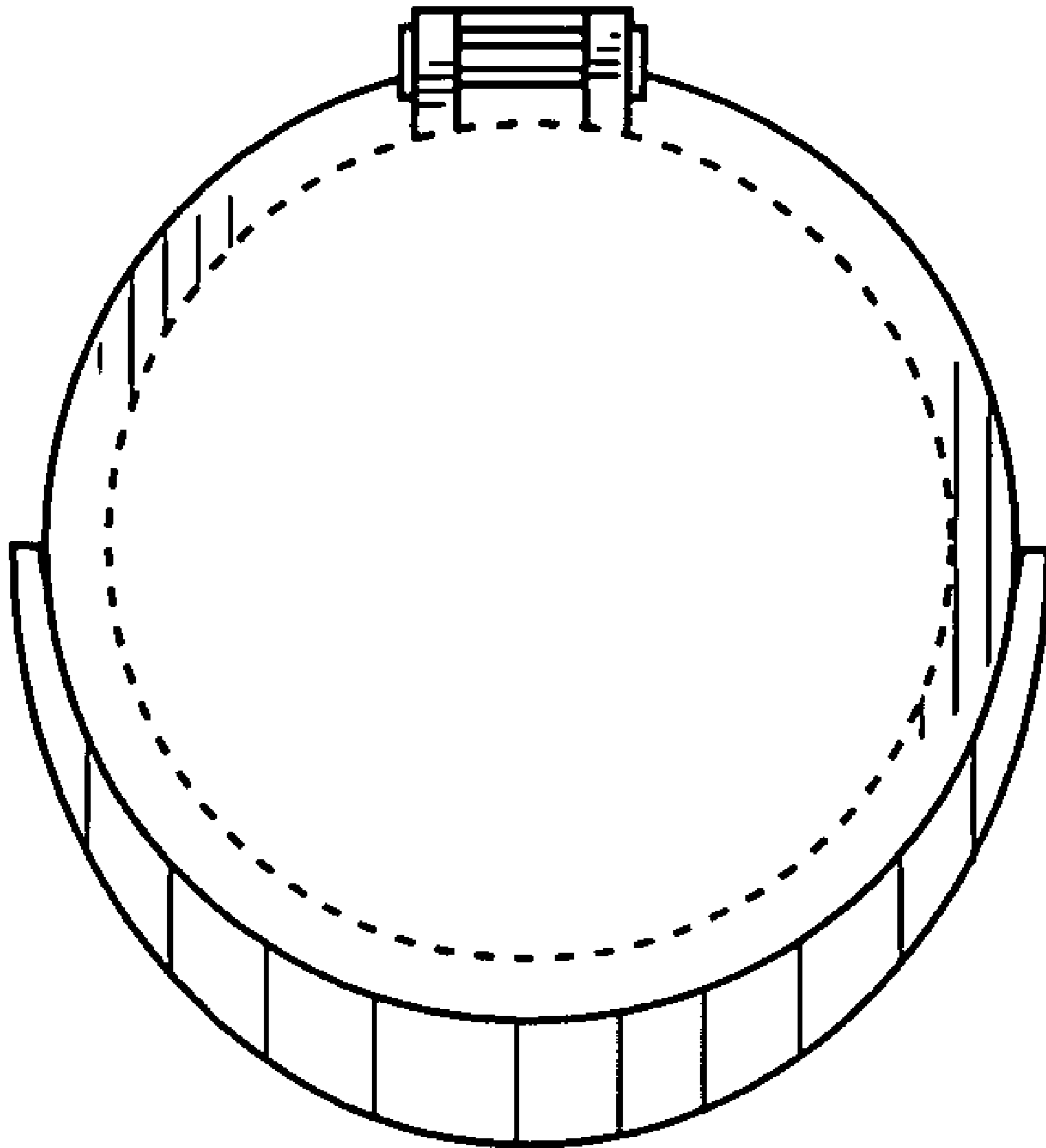


FIG. 5