



US00D612121S

(12) **United States Design Patent**
Memari

(10) **Patent No.:** **US D612,121 S**
(45) **Date of Patent:** **** Mar. 16, 2010**

(54) **RECEPTACLE FOR TRASH, REFUSE, RECYCLING, OR THE LIKE**

http://i.thisislondon.co.uk/i/pix.2007/11/20a_02_bombbin_415x275.jpg, dated May 22, 2009, 1 page.

(76) Inventor: **Kaveh Memari**, Studio 2, 166 Tower Bridge Road, London (GB) SE1 3LS

(Continued)

(**) Term: **14 Years**

Primary Examiner—Cynthia E Ramirez
(74) *Attorney, Agent, or Firm*—Alston & Bird LLP

(21) Appl. No.: **29/337,546**

(57) **CLAIM**

(22) Filed: **May 26, 2009**

The ornamental design for a receptacle for trash, refuse, recycling, or the like, as shown and described.

(30) **Foreign Application Priority Data**

Nov. 27, 2000 (EM) 001048631

DESCRIPTION

(51) **LOC (9) Cl.** **09-09**

(52) **U.S. Cl.** **D34/1**

(58) **Field of Classification Search** D34/1–11;
220/908–913

See application file for complete search history.

FIG. 1 is a perspective view of a receptacle for trash, refuse, recycling, or the like showing an embodiment of my new design;

FIG. 2 is a front elevation view thereof, the rear elevation being a mirror image thereof;

FIG. 3 is a top plan view thereof;

FIG. 4 is a bottom plan view thereof;

FIG. 5 is a left side elevation view thereof, the right side elevation view being a mirror image thereof;

FIG. 6 is a perspective view of a receptacle for trash, refuse, recycling, or the like showing an embodiment of my new design;

FIG. 7 is a front elevation view thereof, the rear elevation being a mirror image thereof;

FIG. 8 is a top plan view thereof;

FIG. 9 is a bottom plan view thereof; and,

FIG. 10 is a left side elevation view thereof, the right side elevation view being a mirror image thereof.

(56) **References Cited**

U.S. PATENT DOCUMENTS

D356,419 S *	3/1995	Kamm	D34/7
D388,922 S *	1/1998	Peters	D34/1
D389,631 S *	1/1998	Peters	D34/1
D428,229 S *	7/2000	Olivetti	D34/1
D458,430 S *	6/2002	Hogarth	D34/7
D523,602 S	6/2006	Memari		
D523,603 S	6/2006	Memari		
D535,447 S *	1/2007	Olivetti	D34/1
D551,415 S *	9/2007	Memari	D34/7
D584,467 S *	1/2009	Tuncel	D34/7
D587,420 S *	2/2009	Lin	D34/7
D588,772 S *	3/2009	Lin	D34/7

OTHER PUBLICATIONS

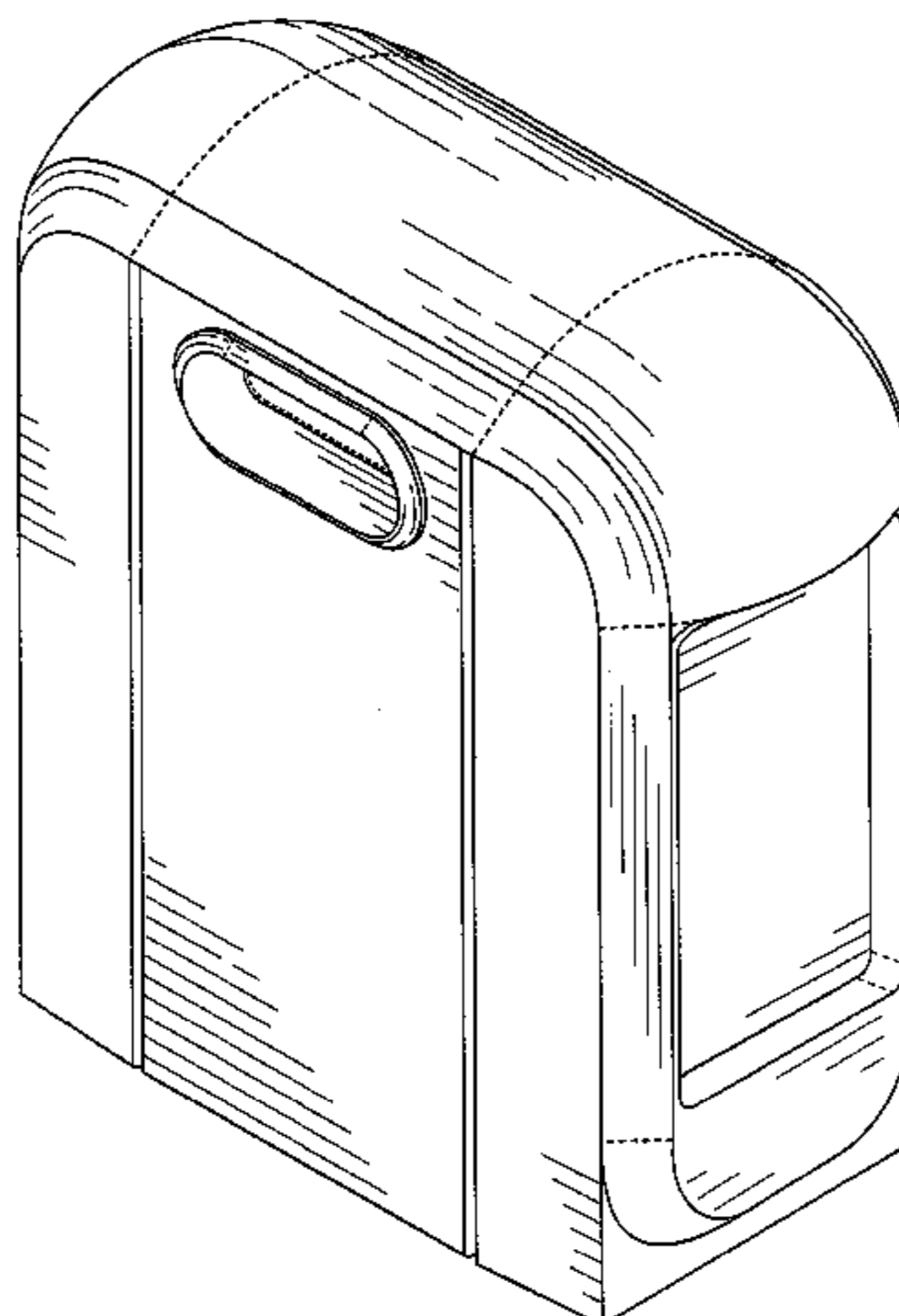
<http://s3files.core77.com/blog/images/bombproofbin.jpg>, dated May 22, 2009, 1 page.

Bombproof Trash Cans: Design Goes Antiterrorist, available at http://www.core77.com/blog/object_culture/bombproof_trash_cans_design_goes_antiterrorist_11615.asp, dated May 22, 2009, 1 page.

Bomb-Proof Trash Containers in London, available at <http://www.devicemag.com/2008/10/>, dated May 22, 2009, 1 page.

The broken lines around the perimeter of the handle recesses of FIGS. 2 and 7 and the bottom of FIGS. 4 and 9 define boundaries to disclaim the handle recesses and the bottom surfaces from the claimed design and form no part of the claimed design.

1 Claim, 10 Drawing Sheets



OTHER PUBLICATIONS

The £18,000 bomb-proof litter bins., available at <http://www.thisislondon.co.uk/standard/article-23419227-details/>

The+£18,000+bomb-proof+litter+bins/article.do, dated May 22, 2009, 3 pages.

RCD-Online—Design consultation service—RCD information, Design No. 000134291-0001, available at <http://oami.europa.eu/RCDOnline/RequestManager?print=1>, dated May 26, 2009, 3 pages.

RCD-Online—Design consultation service—RCD information, Design No. 000134291-0002, available at <http://oami.europa.eu/>

RCDOnline/RequestManager?print=1, dated May 26, 2009, 3 pages.

RCD-Online—Design consultation service—RCD information, Design No. 000134291-0003, available at <http://oami.europa.eu/RCDOnline/RequestManager?print=1>, dated May 26, 2009, 2 pages.

RCD-Online—Design consultation service—RCD information, Design No. 000134291-0004, available at <http://oami.europa.eu/RCDOnline/RequestManager?print=1>, dated May 26, 2009, 2 pages.

* cited by examiner

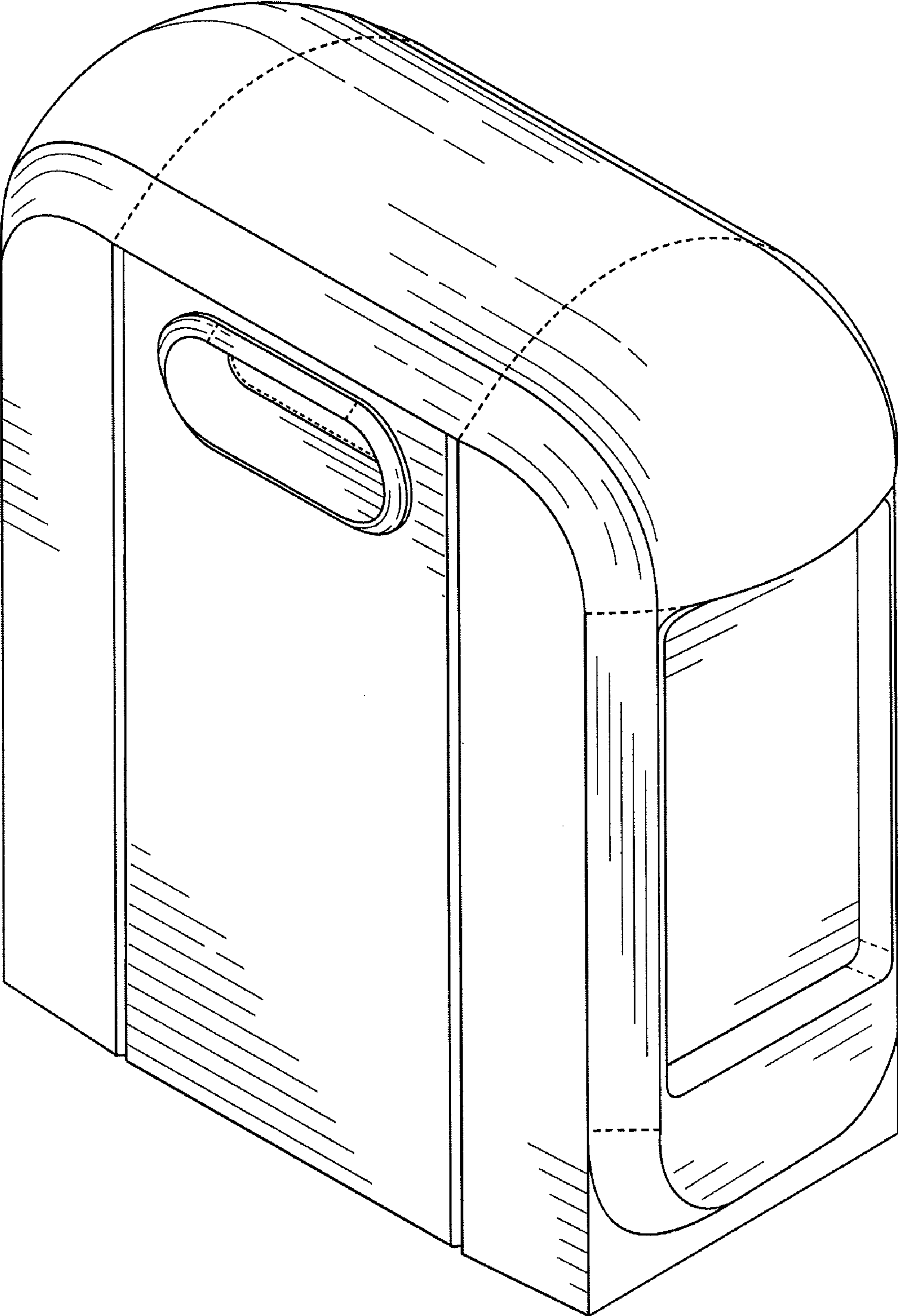


FIG. 1

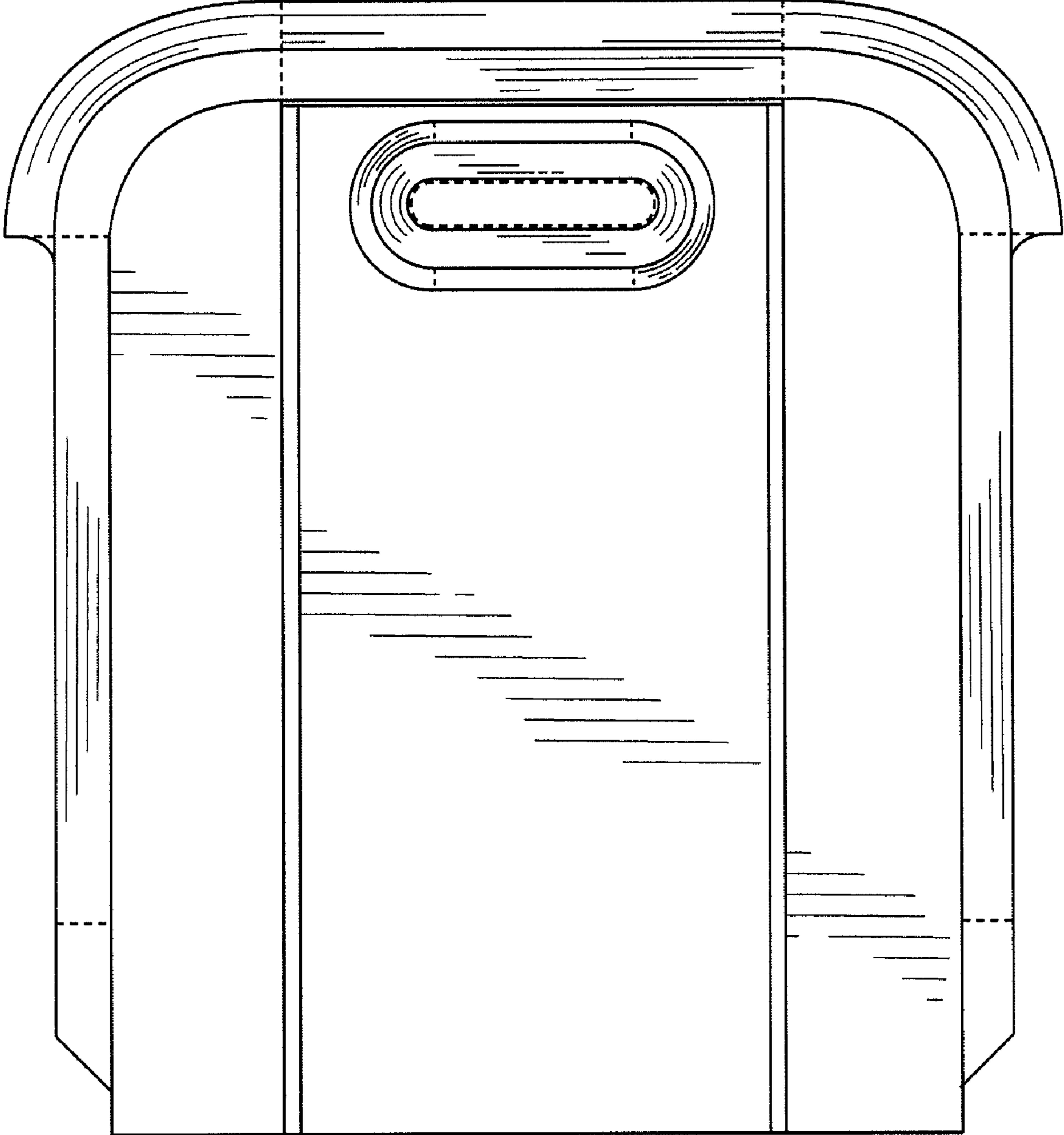


FIG. 2

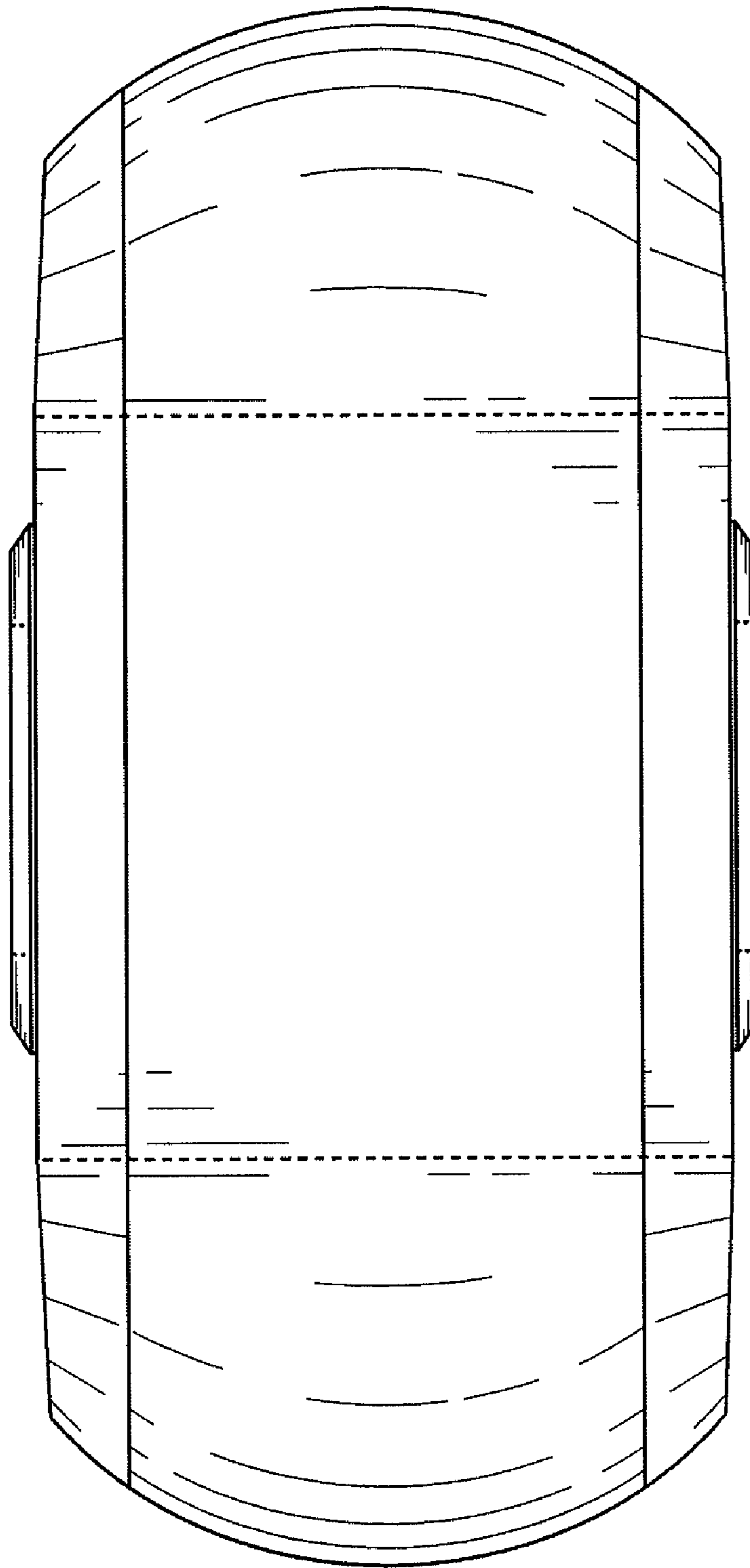


FIG. 3

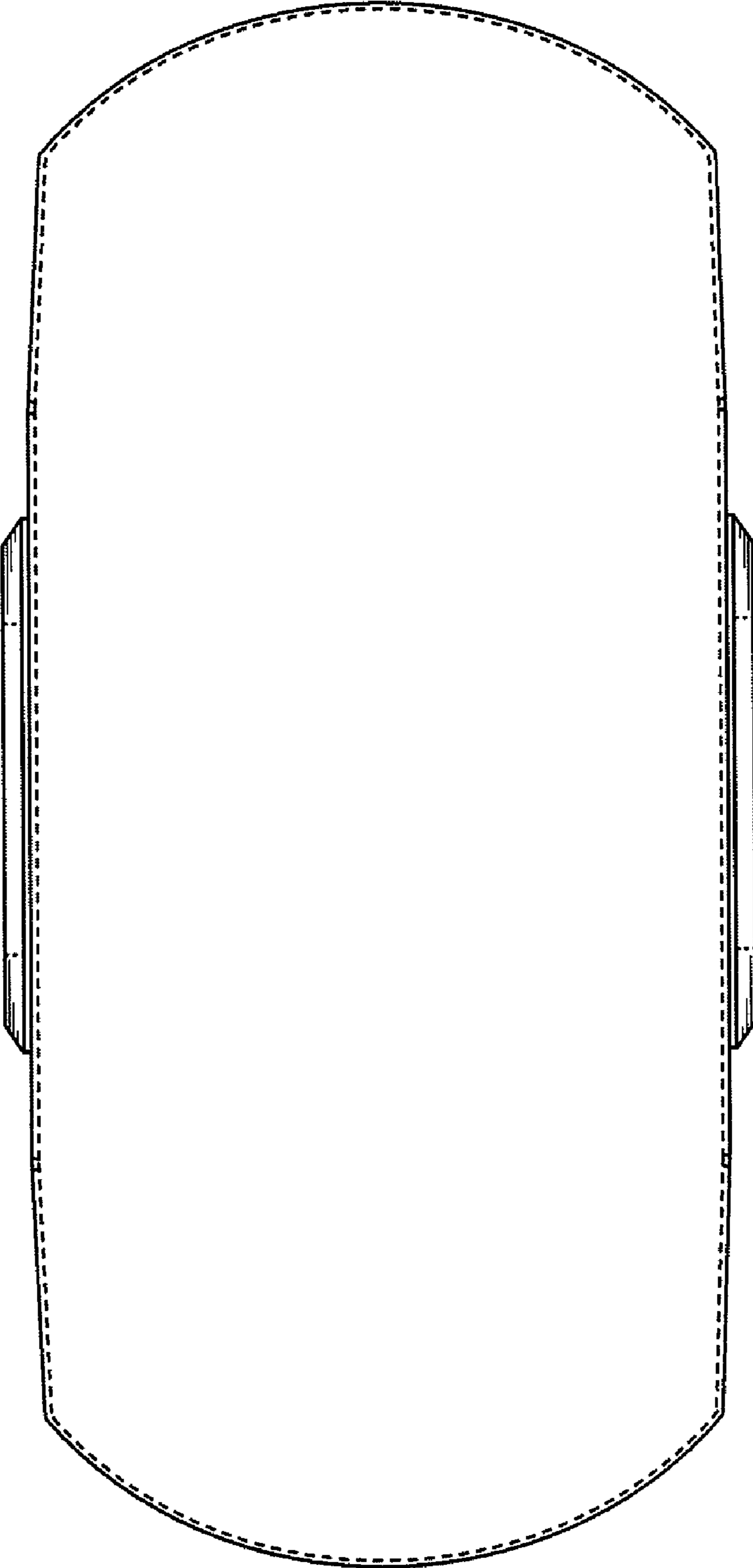


FIG. 4

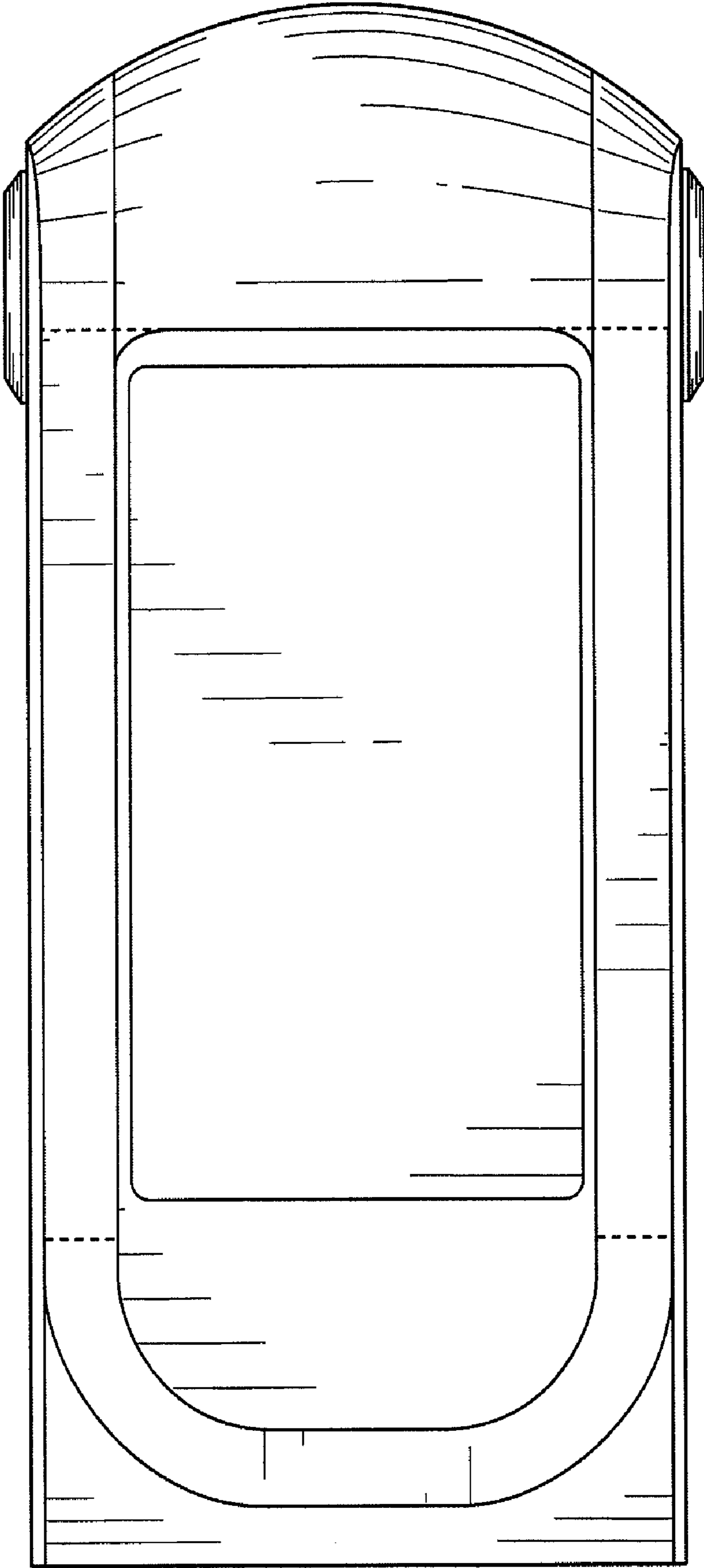


FIG. 5

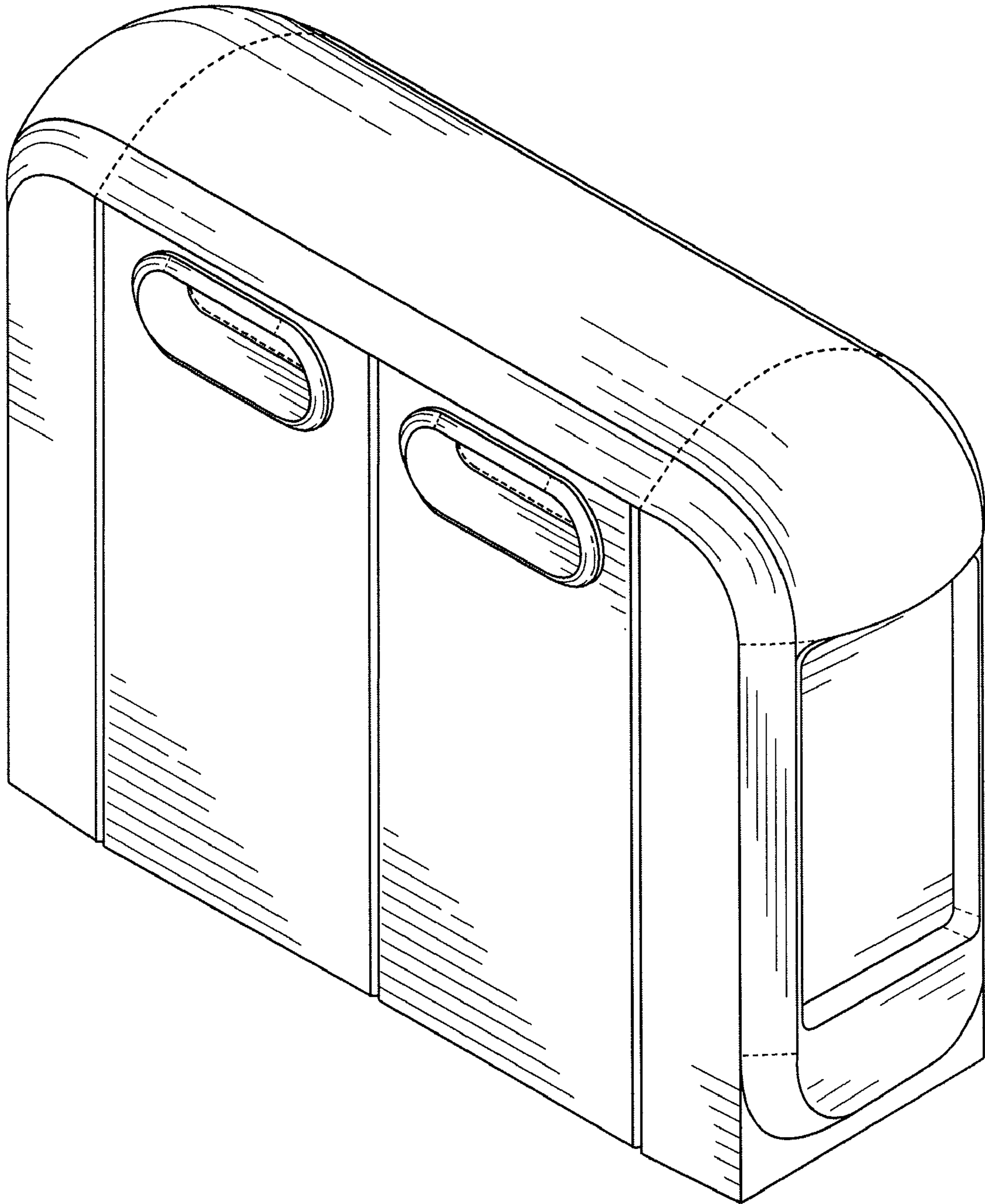


FIG. 6

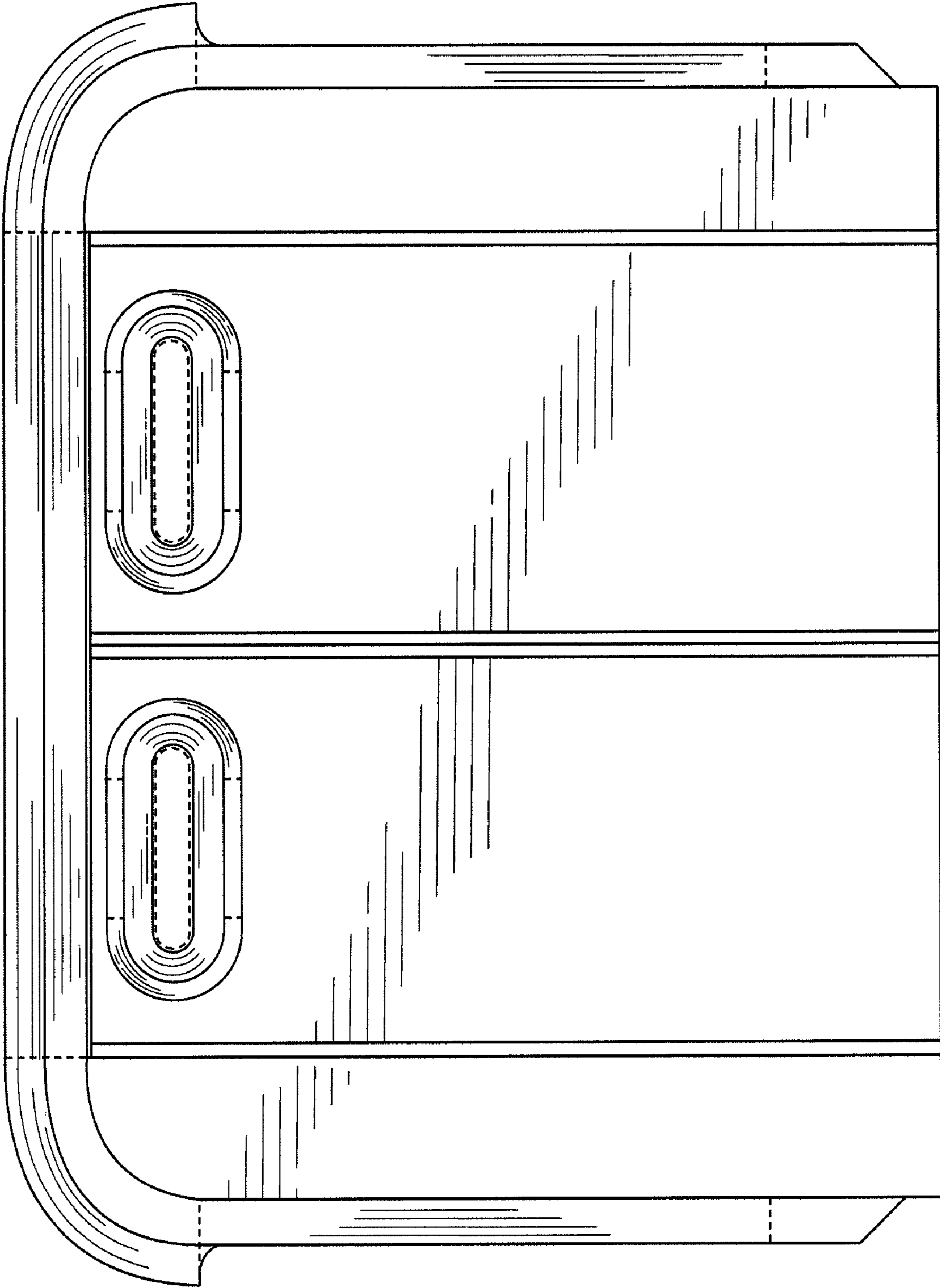


FIG. 7

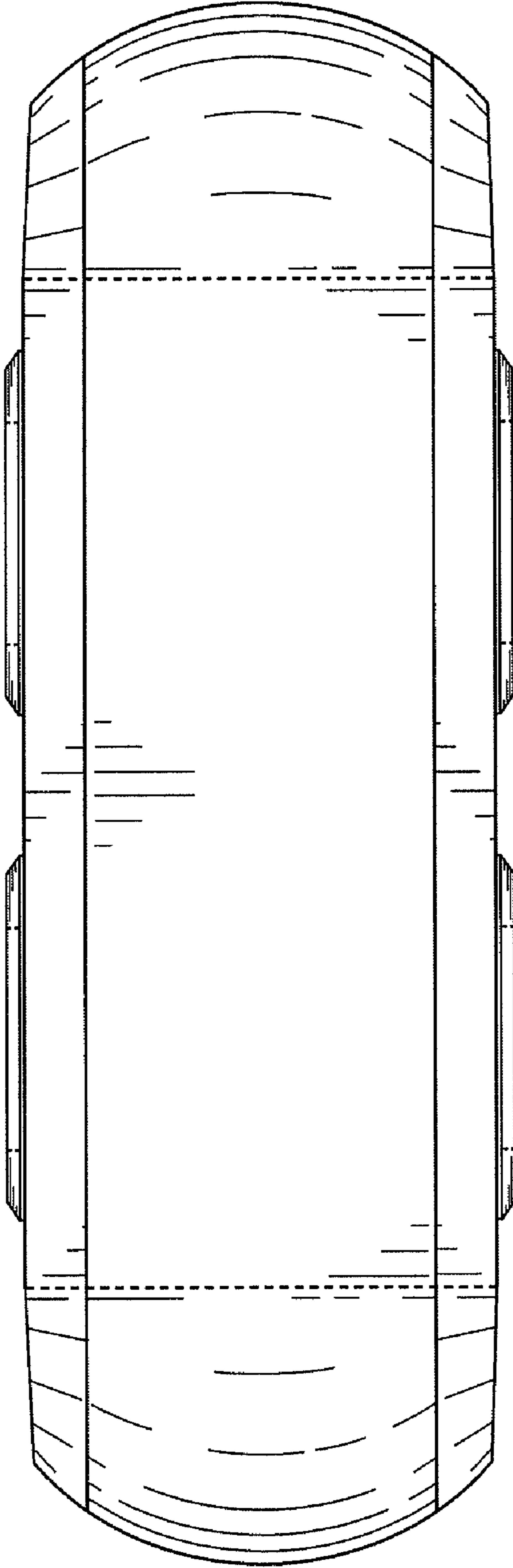


FIG. 8

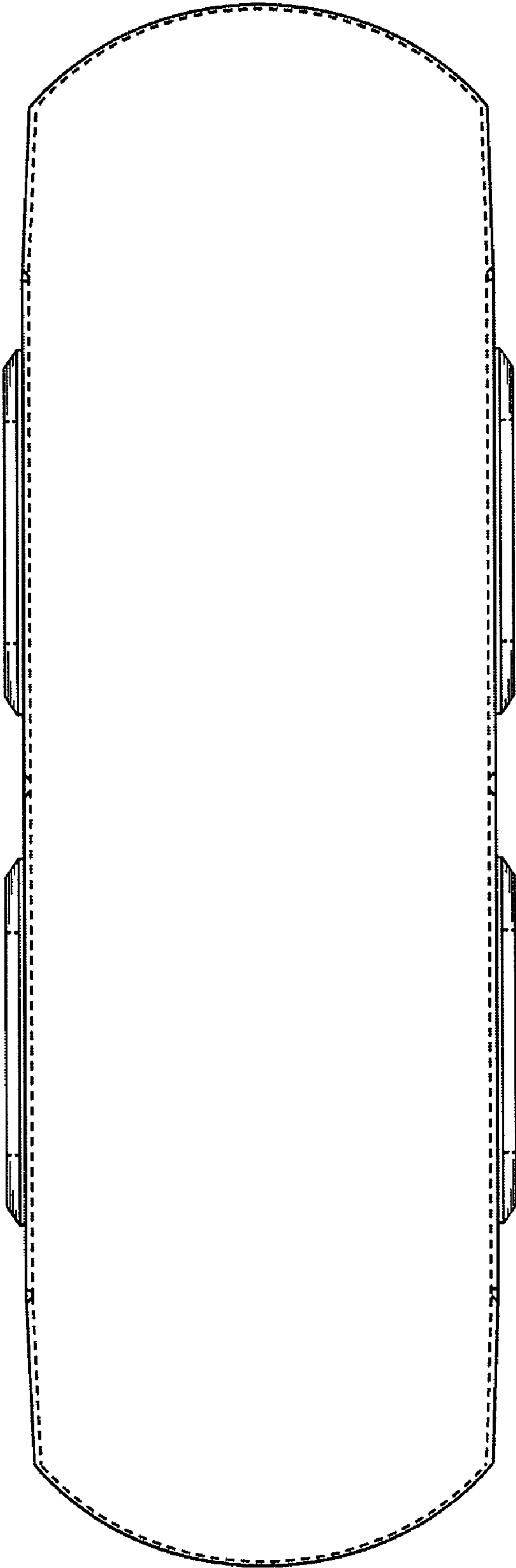


FIG. 9

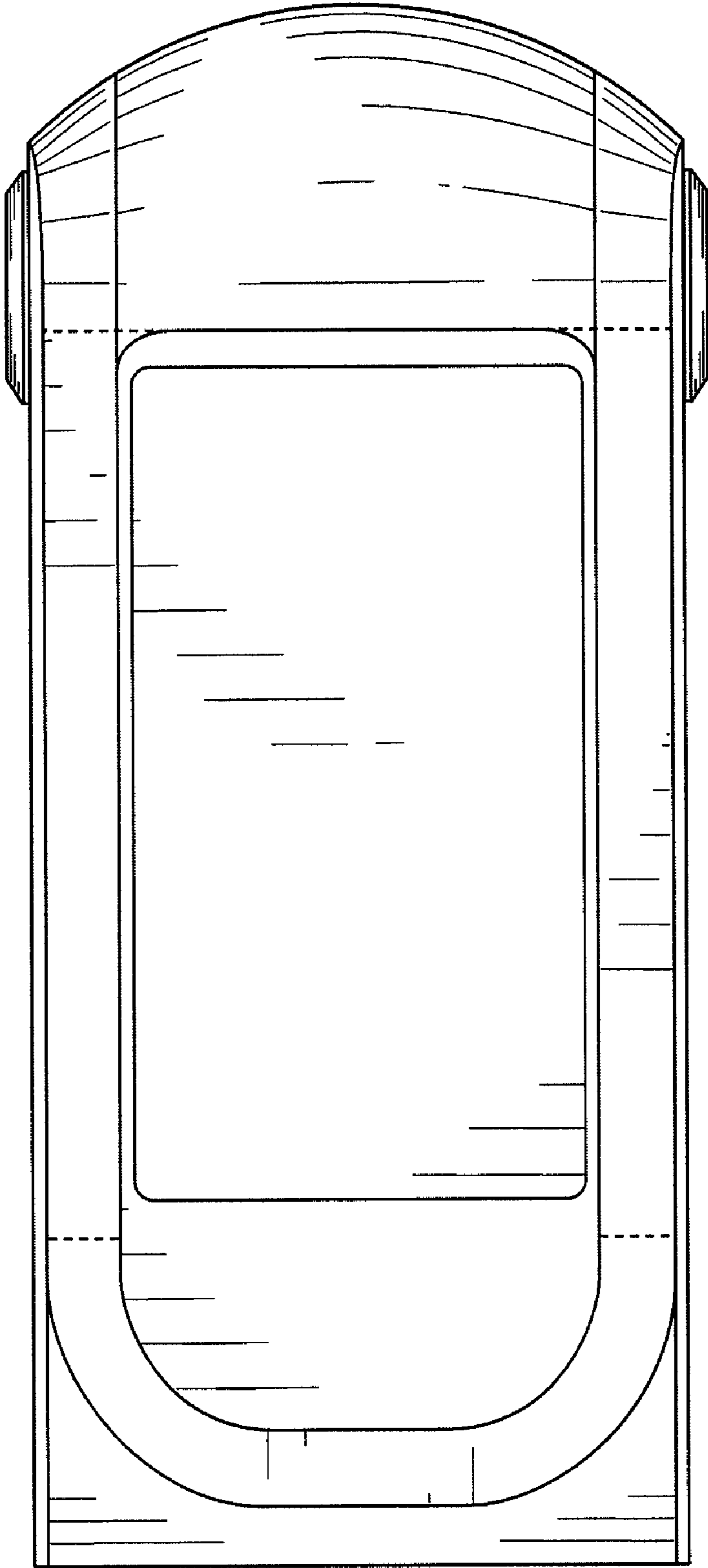


FIG. 10

UNITED STATES PATENT AND TRADEMARK OFFICE
CERTIFICATE OF CORRECTION

PATENT NO. : D612,121 S
APPLICATION NO. : 29/337546
DATED : March 16, 2010
INVENTOR(S) : Memari

Page 1 of 1

It is certified that error appears in the above-identified patent and that said Letters Patent is hereby corrected as shown below:

On the Title page:

Item (30), Foreign Application Priority Data, "Nov. 27, 2000" should read --Nov. 27, 2008--.

Signed and Sealed this
First Day of March, 2011

A handwritten signature in black ink that reads "David J. Kappos". The signature is written in a cursive, slightly slanted style.

David J. Kappos
Director of the United States Patent and Trademark Office