



US00D612120S

(12) **United States Design Patent**
Panfili et al.

(10) **Patent No.:** **US D612,120 S**
(45) **Date of Patent:** **** Mar. 16, 2010**

(54) **PAINT PAN CLIP**

(75) Inventors: **Francois Panfili**, Berthierville (CA);
Romeo Arvinte, Laval-des-Rapides (CA)

(73) Assignee: **A. Richard Tools Co./Outils A. Richard Co.**, Berthierville (CA)

(**) Term: **14 Years**

(21) Appl. No.: **29/337,942**

(22) Filed: **Jun. 2, 2009**

(30) **Foreign Application Priority Data**

Mar. 31, 2009 (CA) 130216

(51) **LOC (9) Cl.** **07-07**

(52) **U.S. Cl.** **D32/54**

(58) **Field of Classification Search** D32/53,
D32/53.1, 54; 220/904, 694-702; 15/260,
15/263, 264, 257.06

See application file for complete search history.

(56) **References Cited**

U.S. PATENT DOCUMENTS

3,168,962 A * 2/1965 Rawlins et al. 220/697
D586,060 S * 2/2009 Kahn D32/54

* cited by examiner

Primary Examiner—Robin V Webster
(74) *Attorney, Agent, or Firm*—Darby & Darby P.C.

(57) **CLAIM**

The ornamental design for a paint pan clip, as shown and described.

DESCRIPTION

FIG. 1 is a perspective view of a paint pan clip showing our new design.

FIG. 2 is another perspective view thereof.

FIG. 3 is another perspective view thereof.

FIG. 4 is a bottom plan view thereof.

FIG. 5 is a top plan view thereof.

FIG. 6 is a left elevational side view thereof.

FIG. 7 is a right elevational side view thereof.

FIG. 8 is front plan view thereof.

FIG. 9 is a rear plan view thereof.

FIG. 10 is a perspective view of a paint pan clip showing a variant of our new design.

FIG. 11 is another perspective view thereof.

FIG. 12 is another perspective view thereof.

FIG. 13 is a bottom plan view thereof.

FIG. 14 is a top plan view thereof.

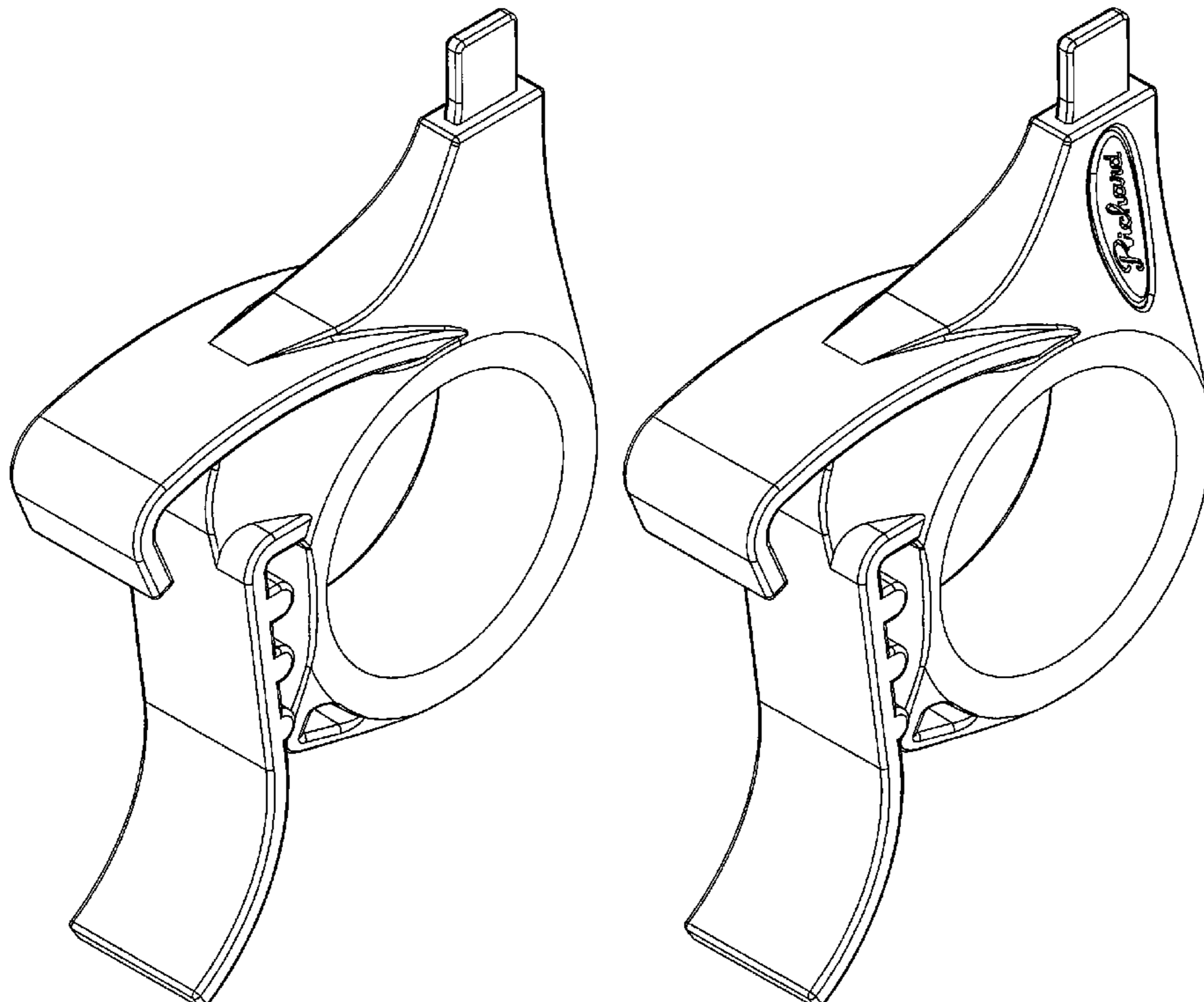
FIG. 15 is a left elevational side view thereof.

FIG. 16 is a right elevational side view thereof.

FIG. 17 is a front plan view thereof; and,

FIG. 18 is a rear plan view thereof.

1 Claim, 18 Drawing Sheets



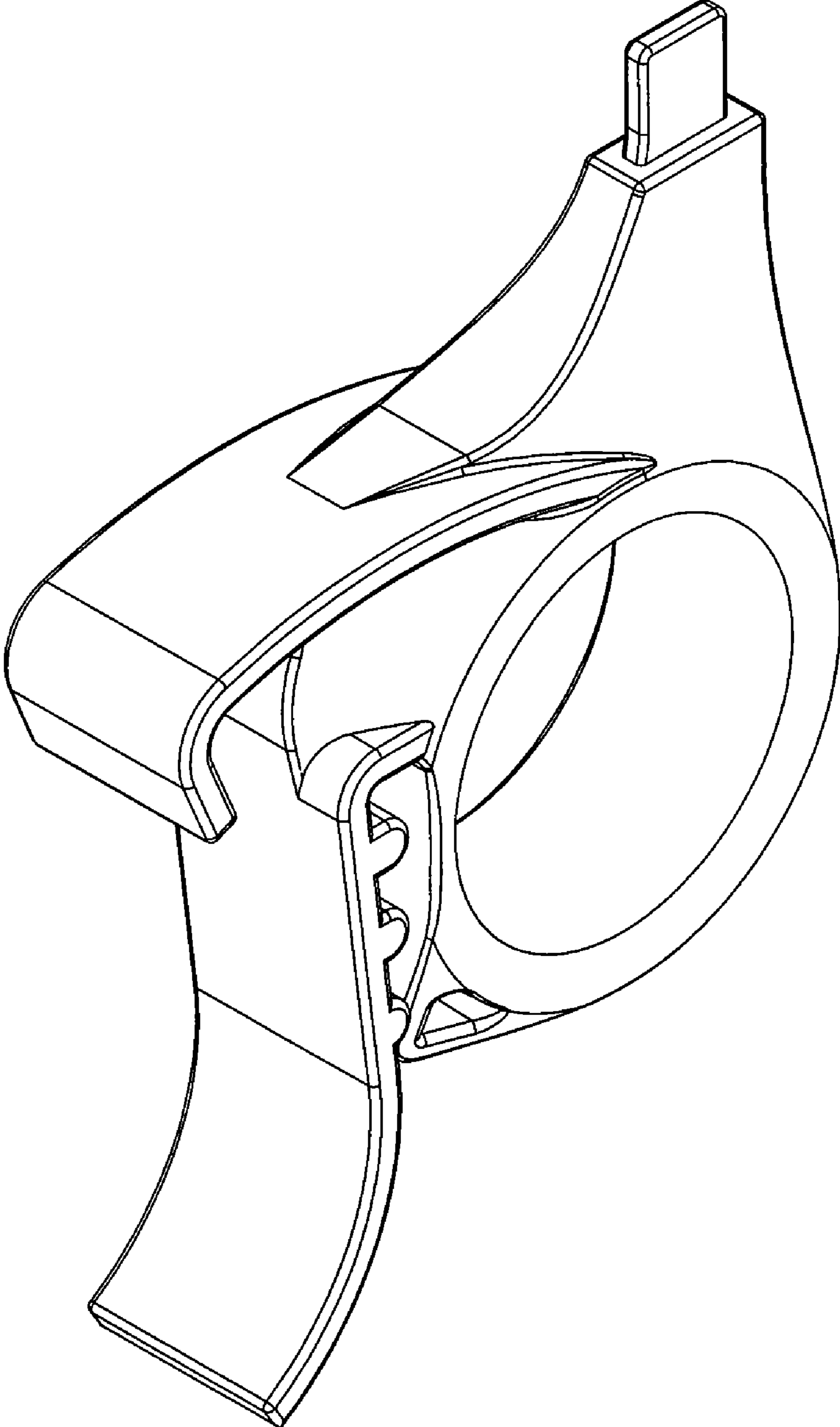


FIG. 1

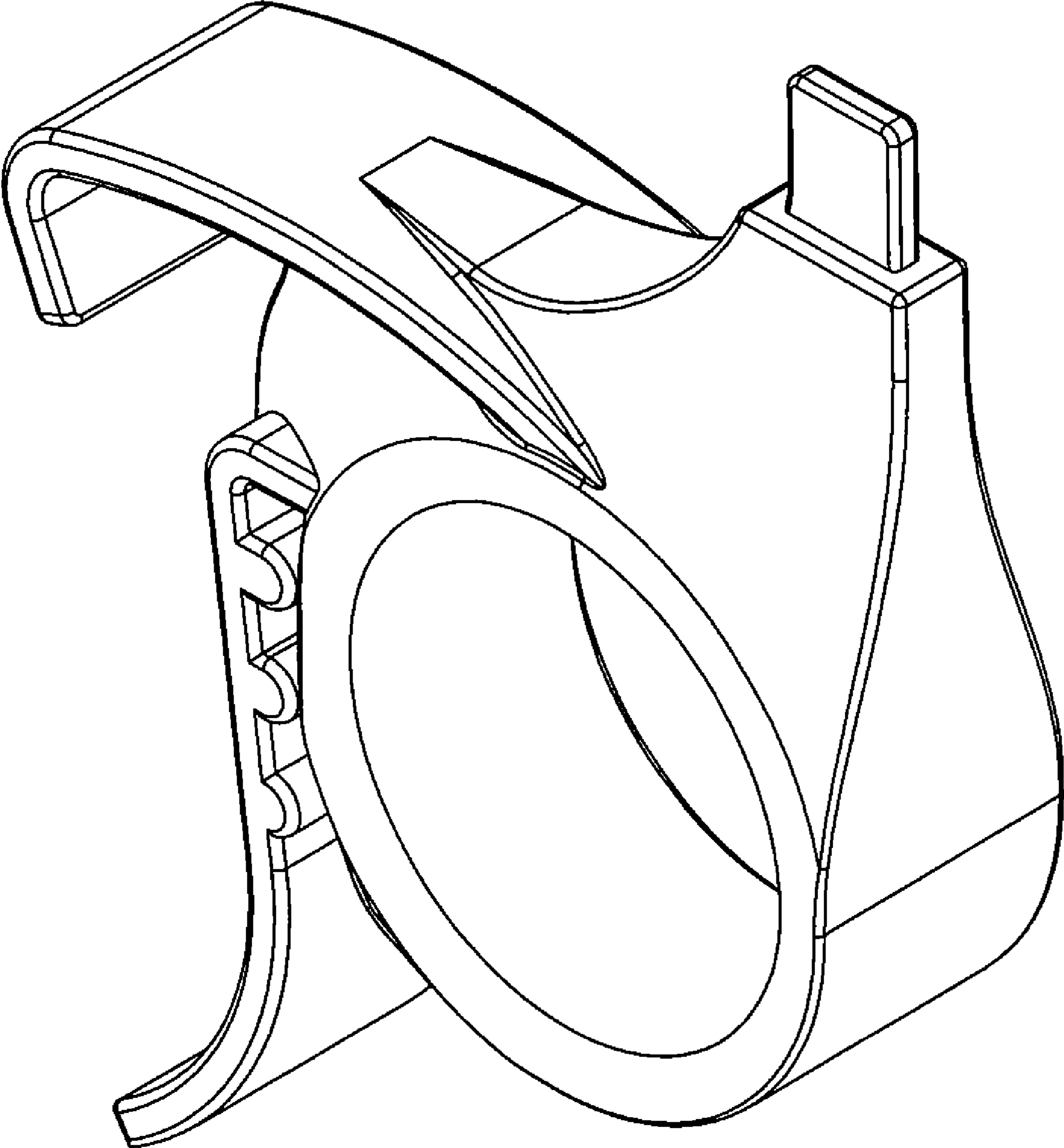


FIG. 2

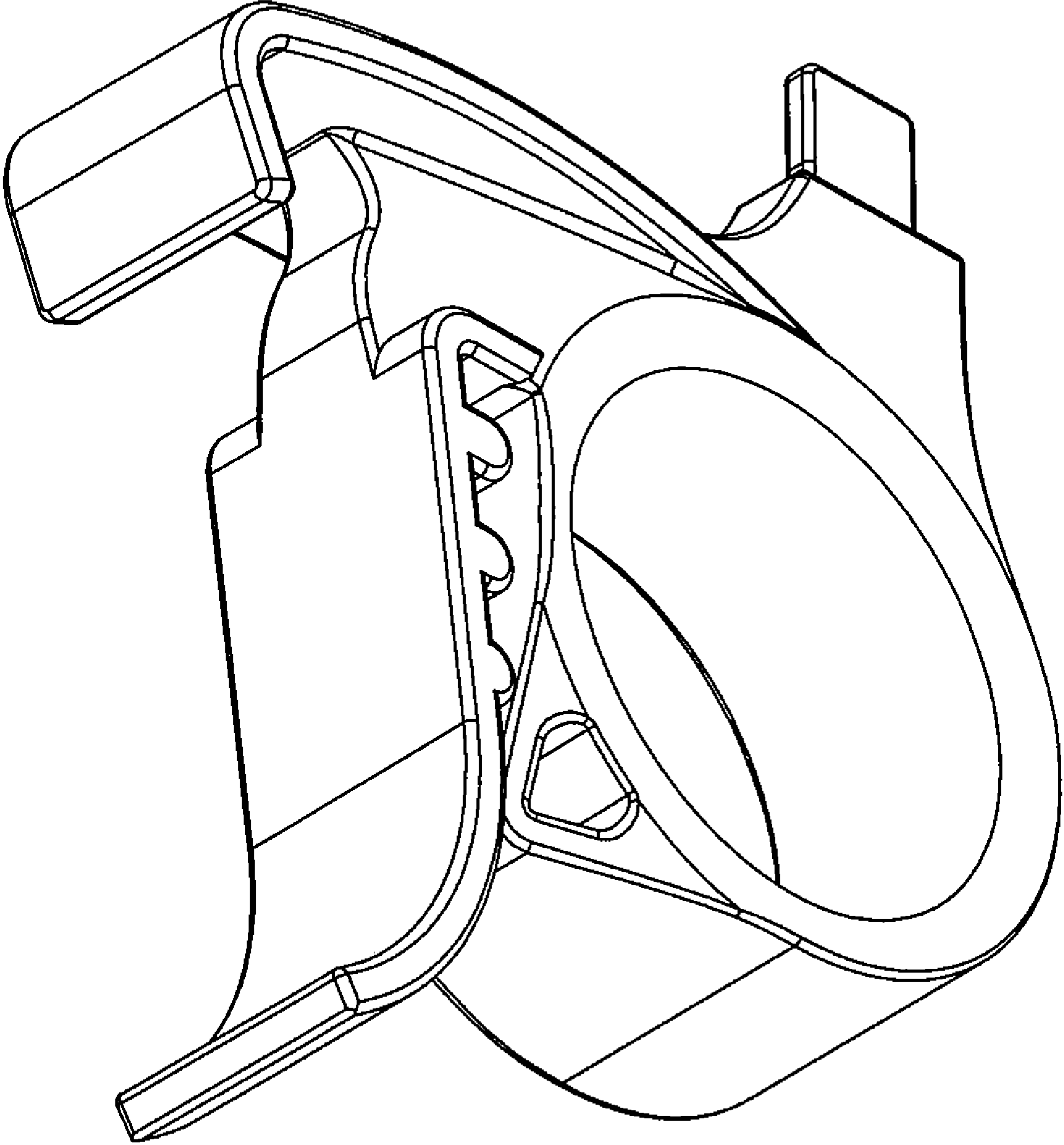


FIG. 3

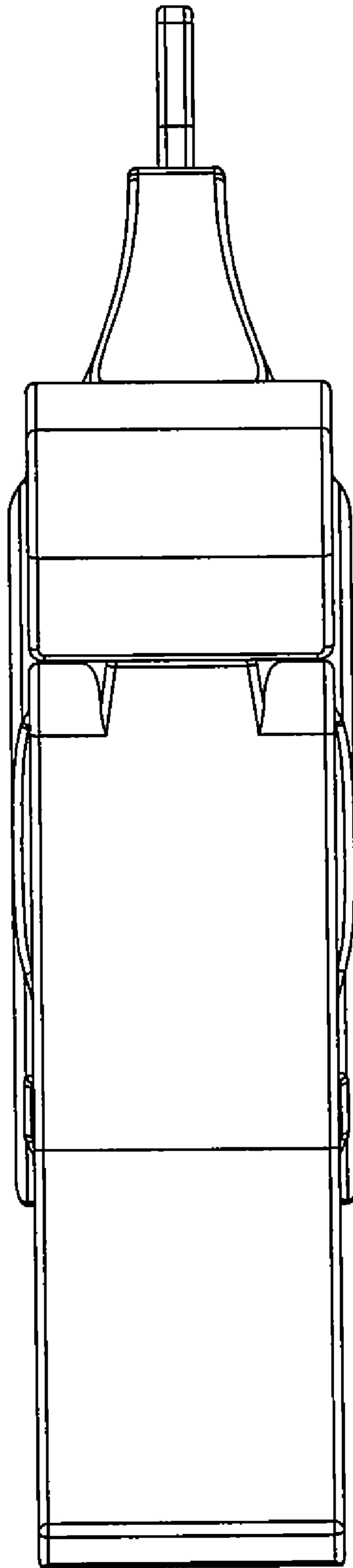


FIG. 4

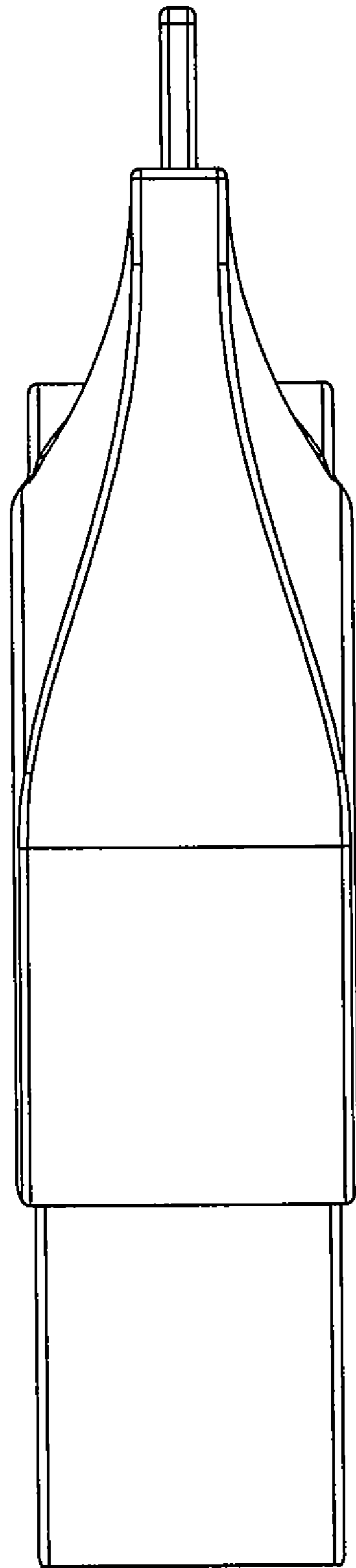


FIG. 5

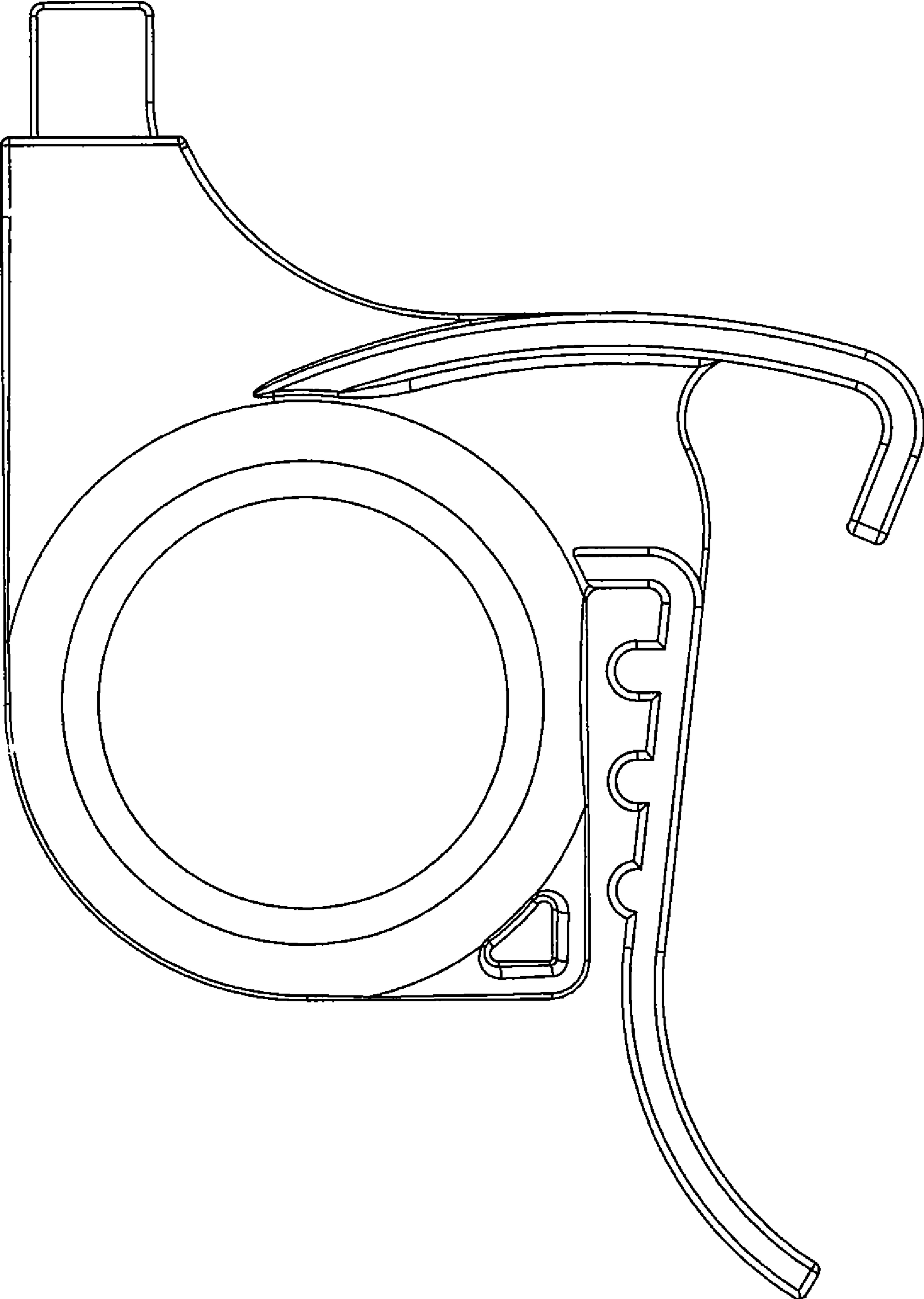


FIG. 6

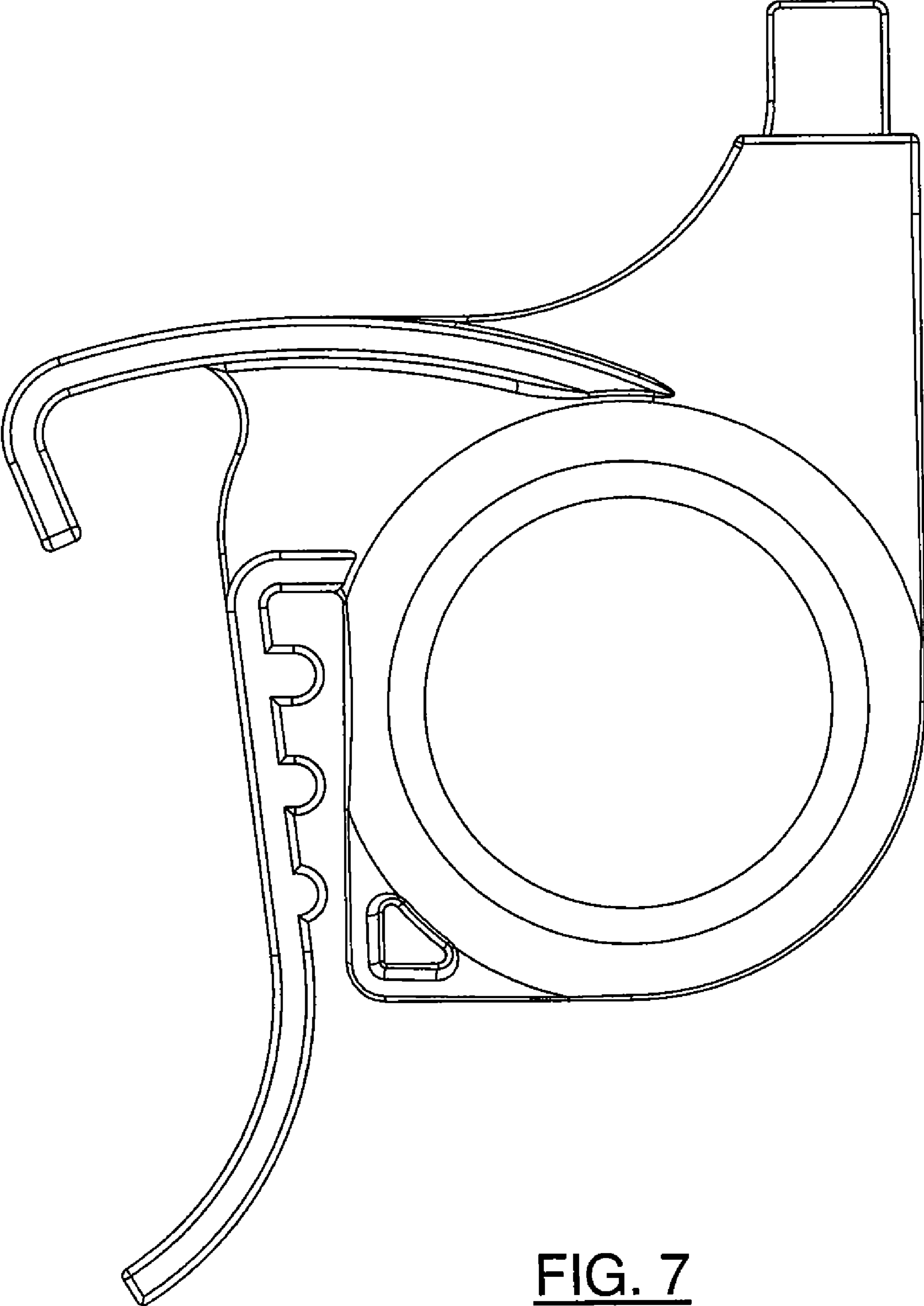


FIG. 7

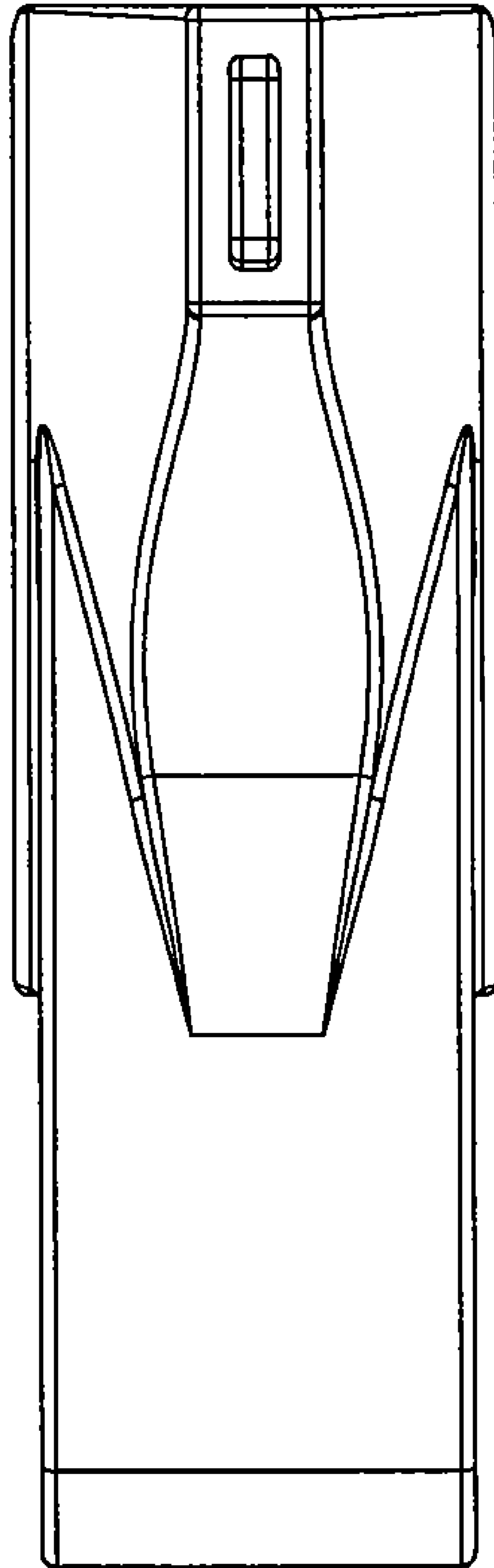


FIG. 8

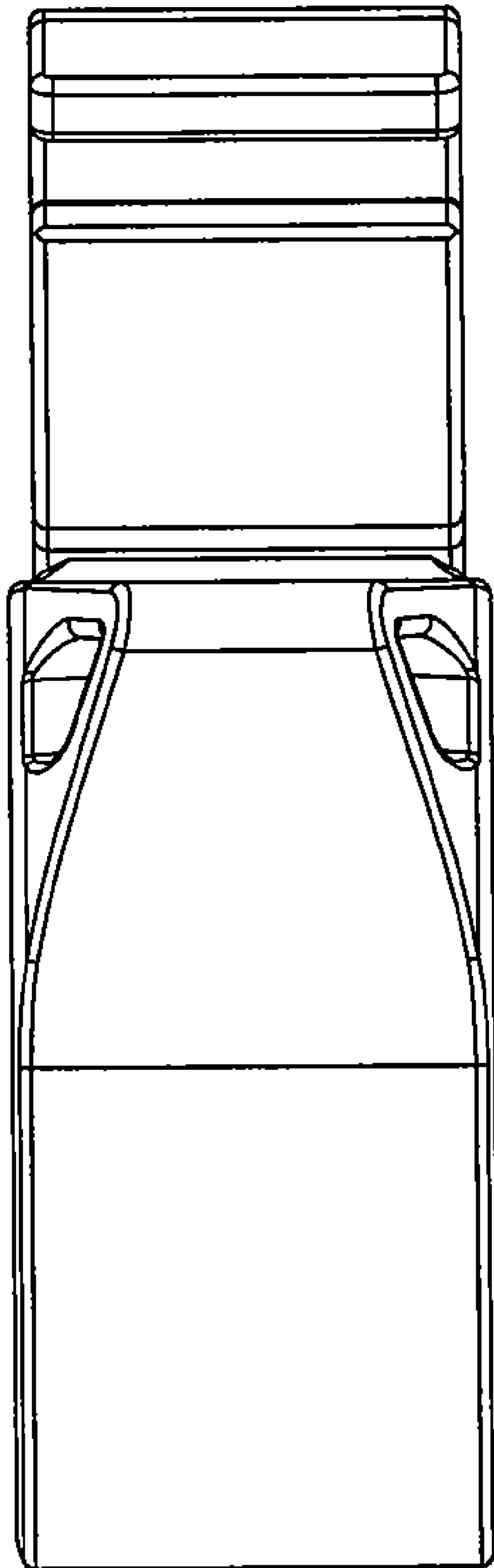


FIG. 9

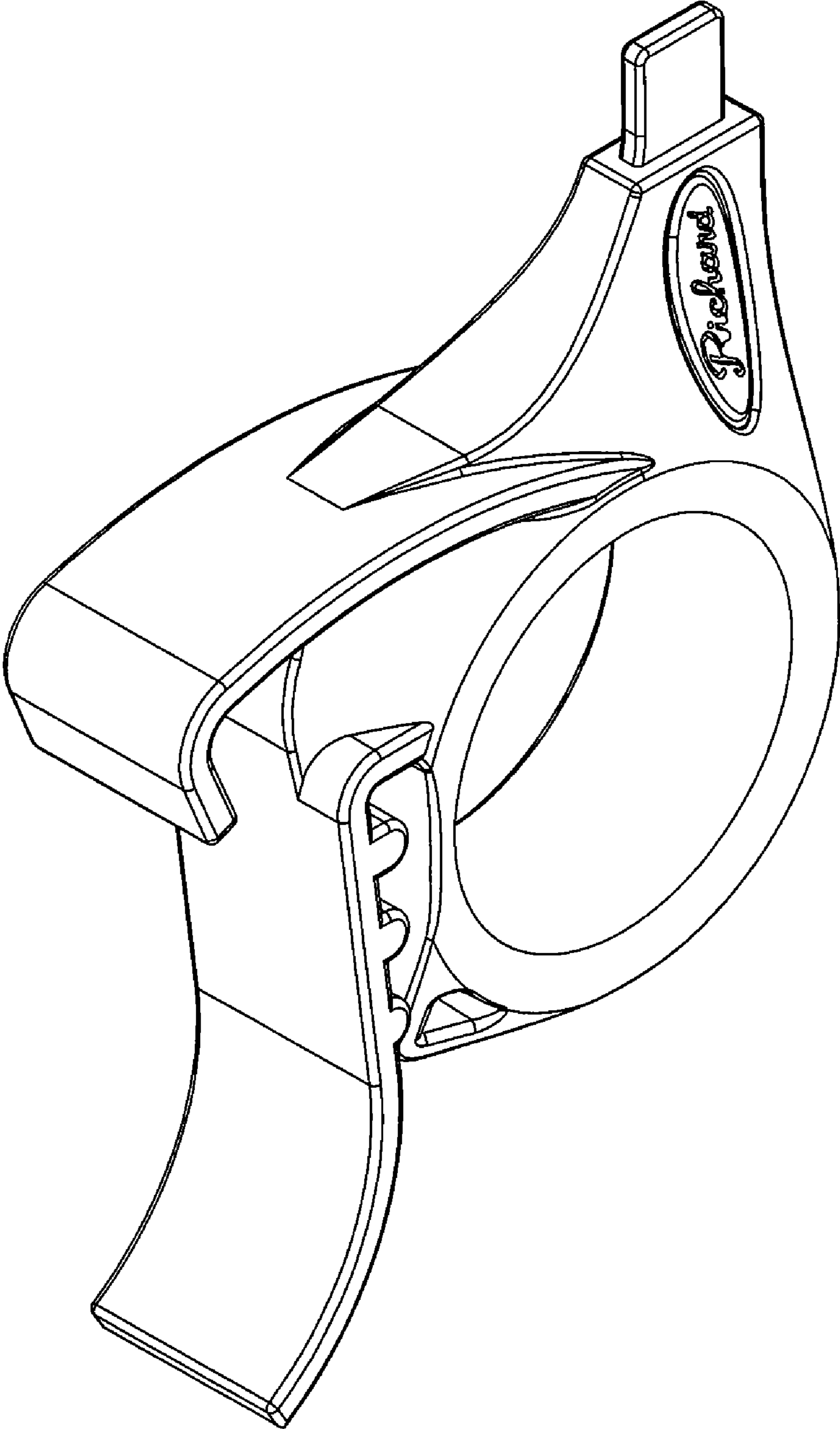


FIG. 10

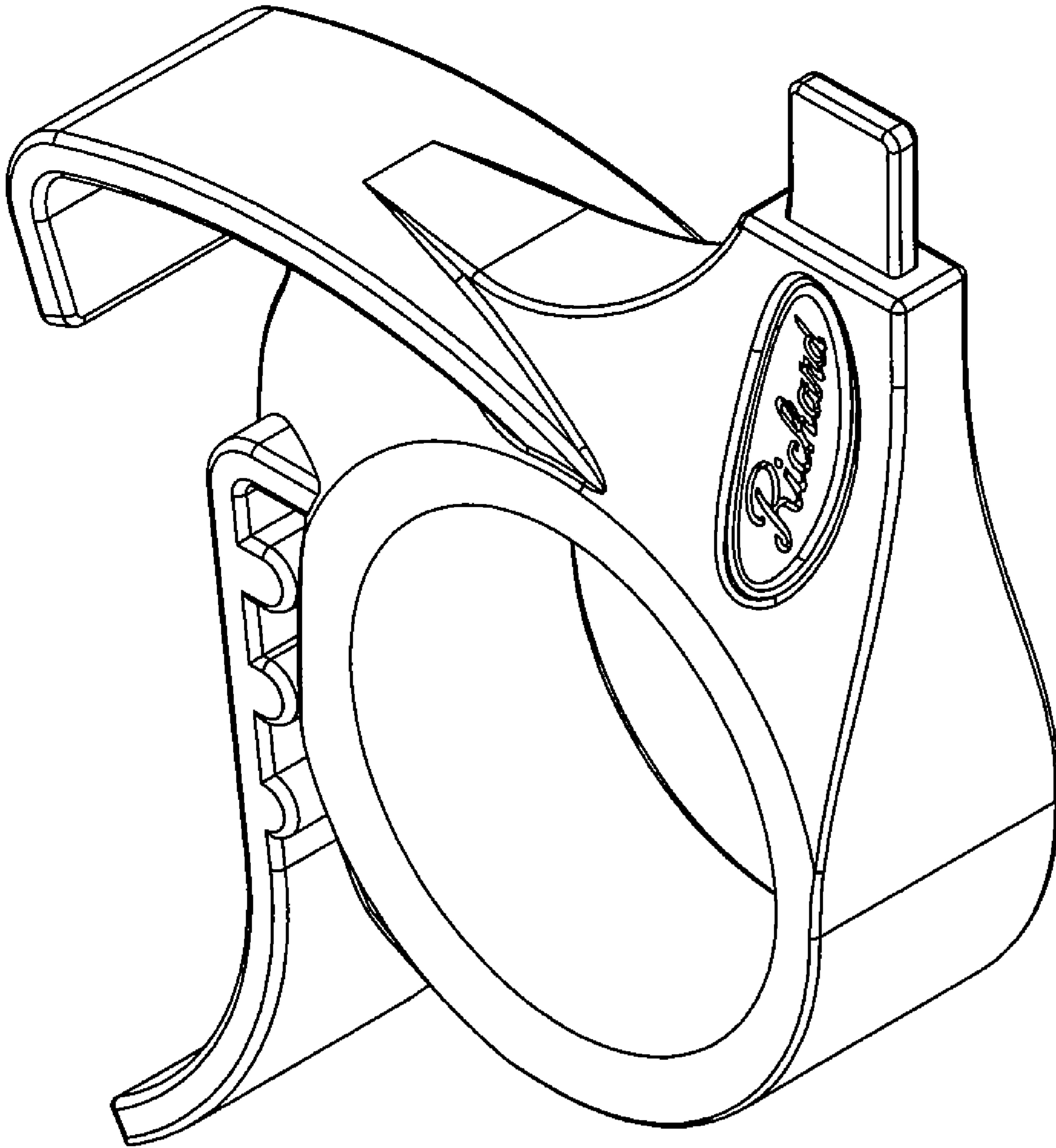


FIG. 11

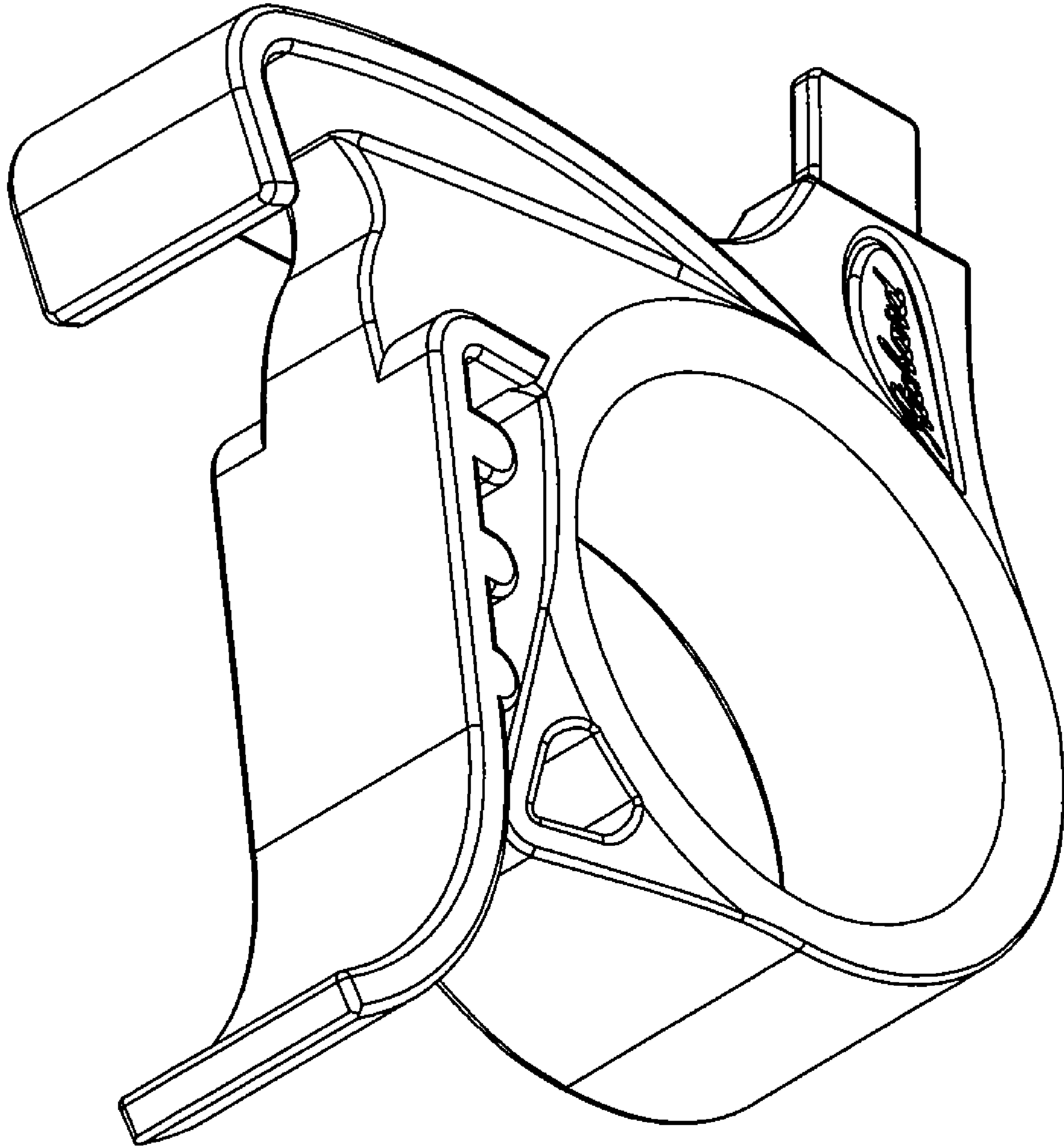


FIG. 12

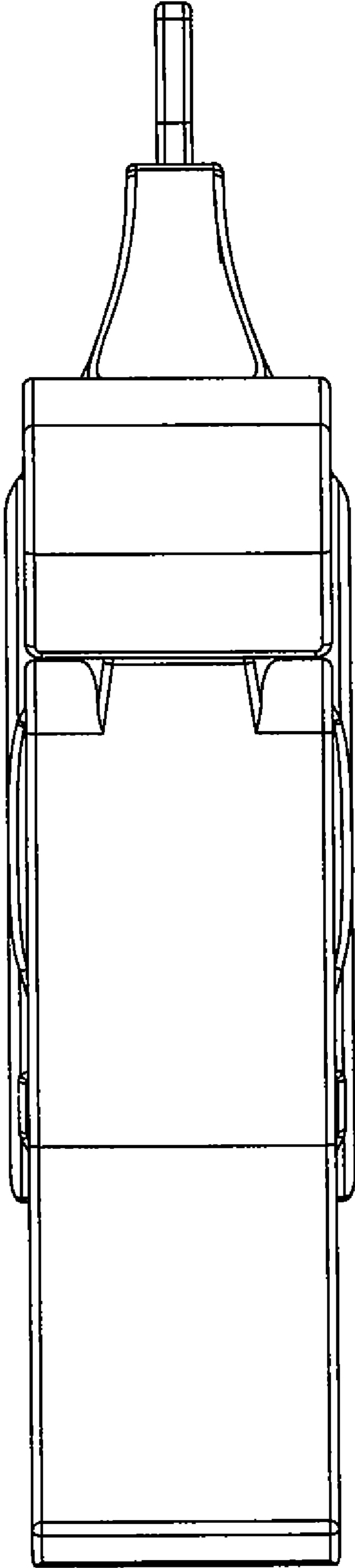


FIG. 13

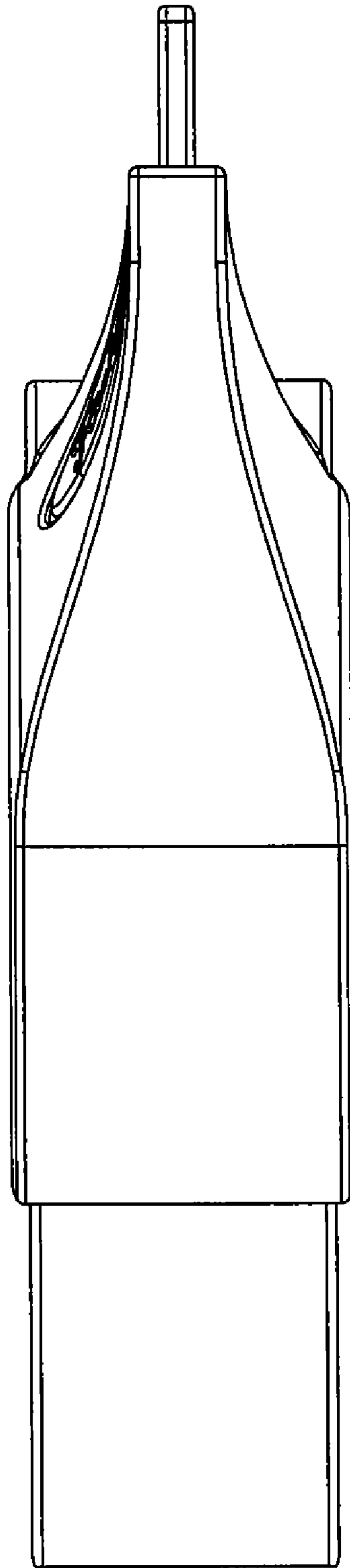


FIG. 14

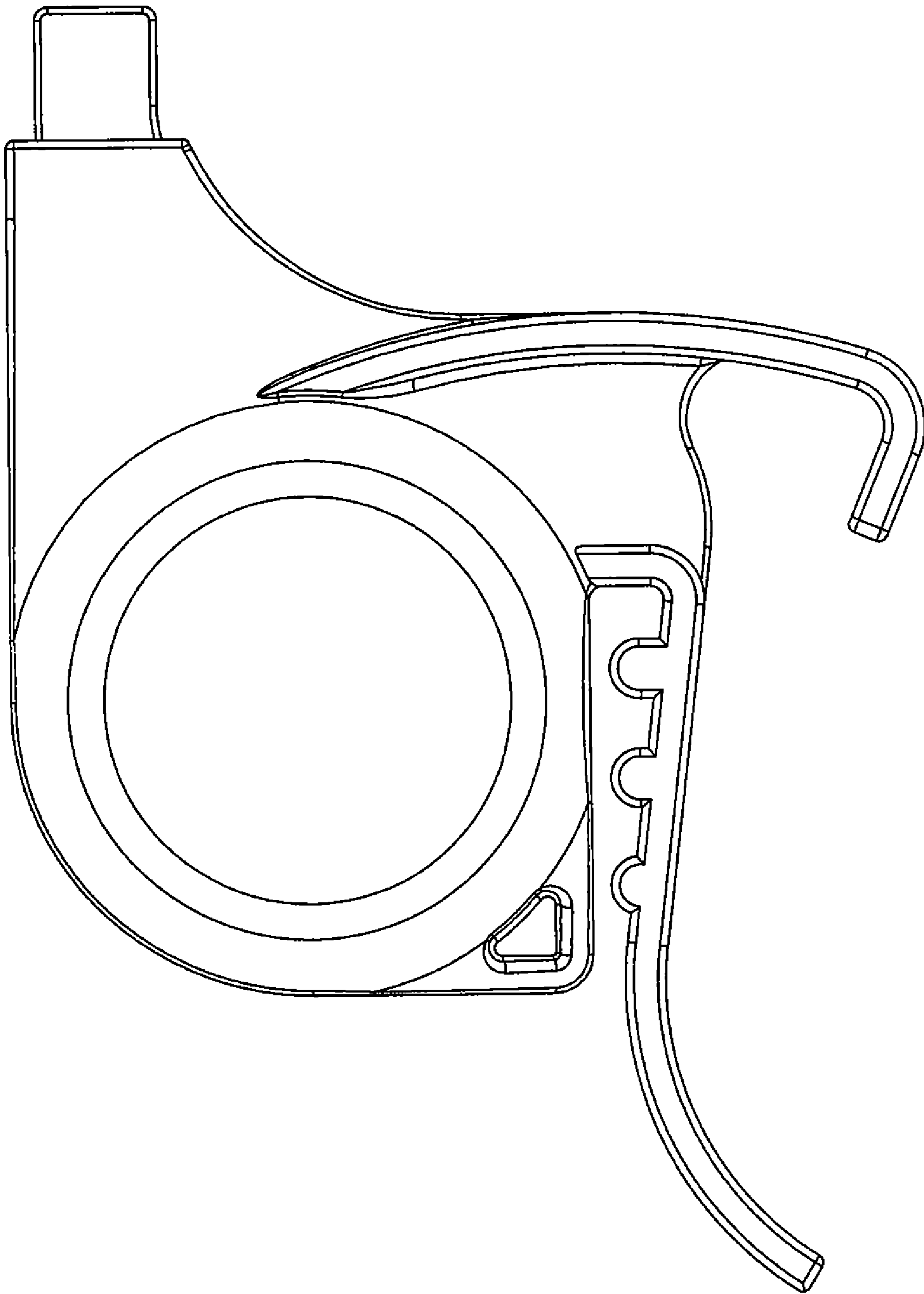


FIG. 15

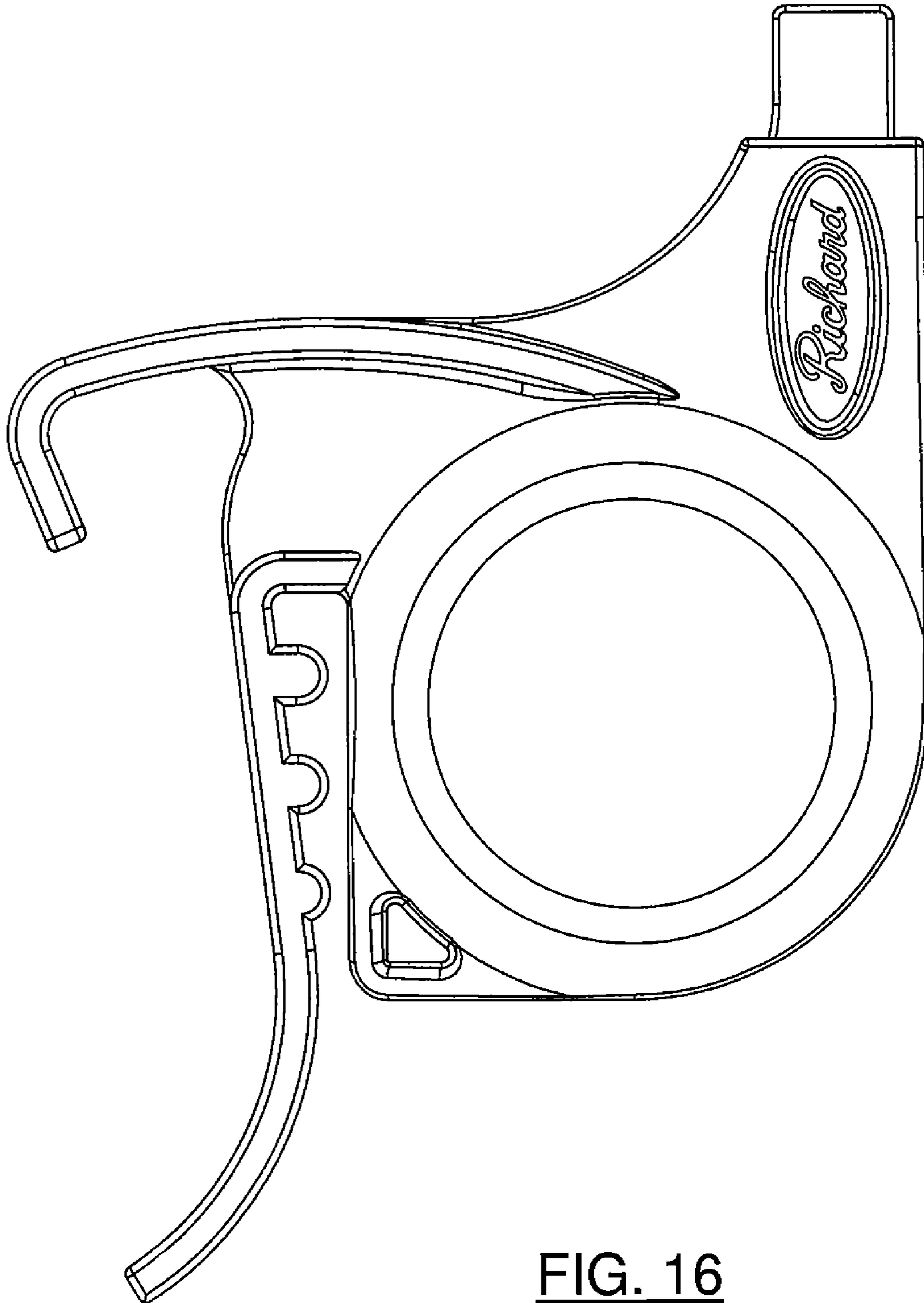


FIG. 16

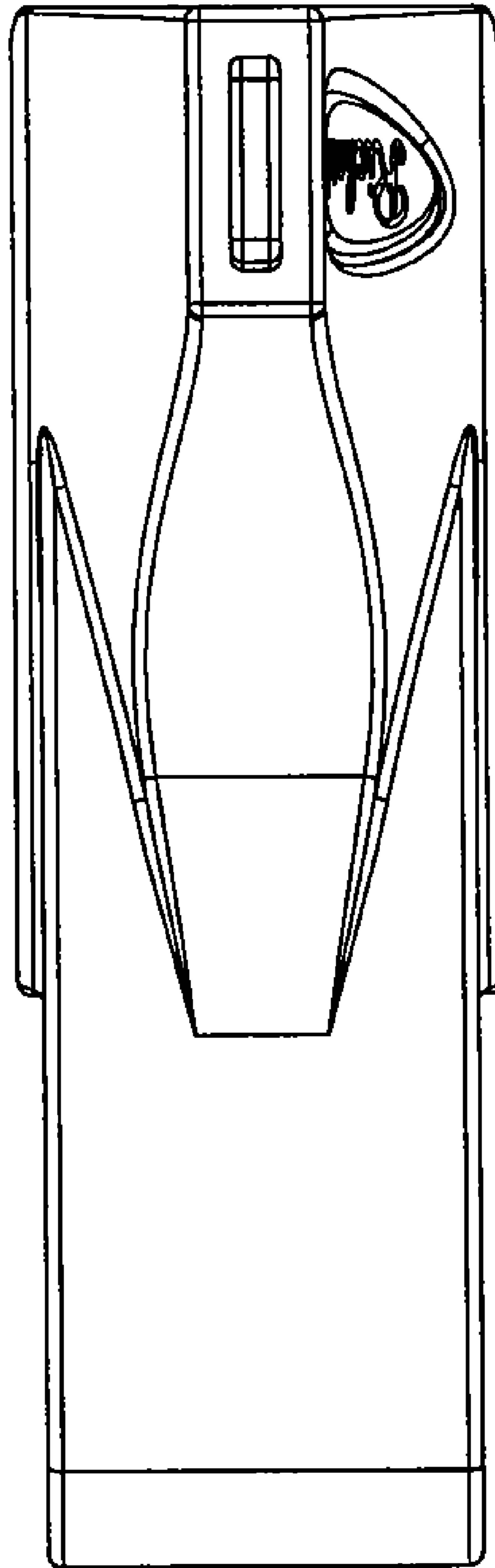


FIG. 17

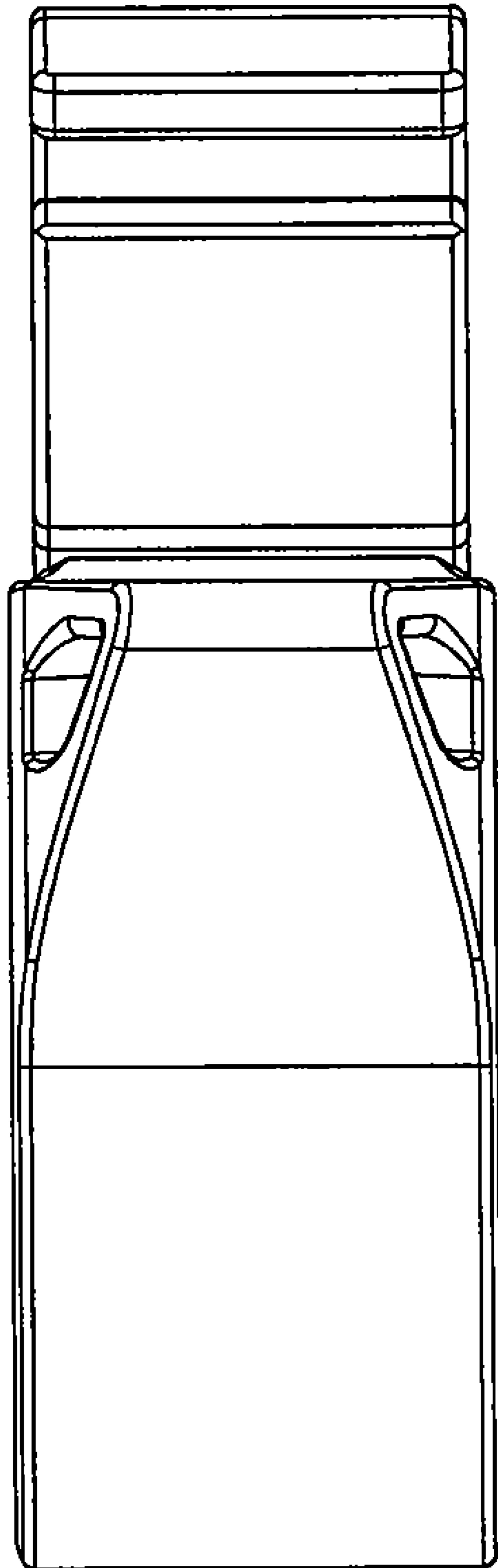


FIG. 18