



US00D612116S

(12) **United States Design Patent**
Nicholas

(10) **Patent No.:** **US D612,116 S**
(45) **Date of Patent:** **** Mar. 16, 2010**

(54) **VACUUM HEAD ASSEMBLY**

(75) Inventor: **Stephen Bernard Nicholas**, Tramere (AU)

(73) Assignee: **Magnor Pty Limited**, Norwood (AU)

(**) Term: **14 Years**

(21) Appl. No.: **29/310,864**

(22) Filed: **Sep. 15, 2008**

(30) **Foreign Application Priority Data**

May 8, 2008 (AT) 12198/2008

(51) **LOC (9) Cl.** **15-05**

(52) **U.S. Cl.** **D32/33**

(58) **Field of Classification Search** D32/22,
D32/31-33, 38; 15/349, 329, 338, 357, 363,
15/366, 375, 378, 394, 399, 400, 246.2, 327.1,
15/327.6-327.7, 334, 415.1-422, 422.1,
15/412, 414, 393, 398, 350, 353-359; 55/DIG. 3
See application file for complete search history.

(56) **References Cited**

U.S. PATENT DOCUMENTS

D225,265 S * 11/1972 Holubinka D32/32
D271,816 S * 12/1983 Price D32/32
4,498,206 A * 2/1985 Braukmann 15/1.7
D313,879 S * 1/1991 Ito D32/22

D487,947 S * 3/2004 Pecci et al. D32/32
D490,950 S * 6/2004 Pecci et al. D32/32
D564,164 S * 3/2008 Harper et al. D32/51
D588,770 S * 3/2009 Koenig et al. D32/50

FOREIGN PATENT DOCUMENTS

AU 315738 6/2007

* cited by examiner

Primary Examiner—Ruth McInroy

(74) *Attorney, Agent, or Firm*—Renner, Kenner, Greive, Bobak, Taylor & Weber

(57) **CLAIM**

I claim the ornamental design for a vacuum head assembly, as shown and described.

DESCRIPTION

FIG. 1 is a top perspective view of a head for a vacuum head assembly in accordance with this invention thereof;

FIG. 2 is an underside perspective view thereof;

FIG. 3 is a front view thereof;

FIG. 4 is a top view thereof;

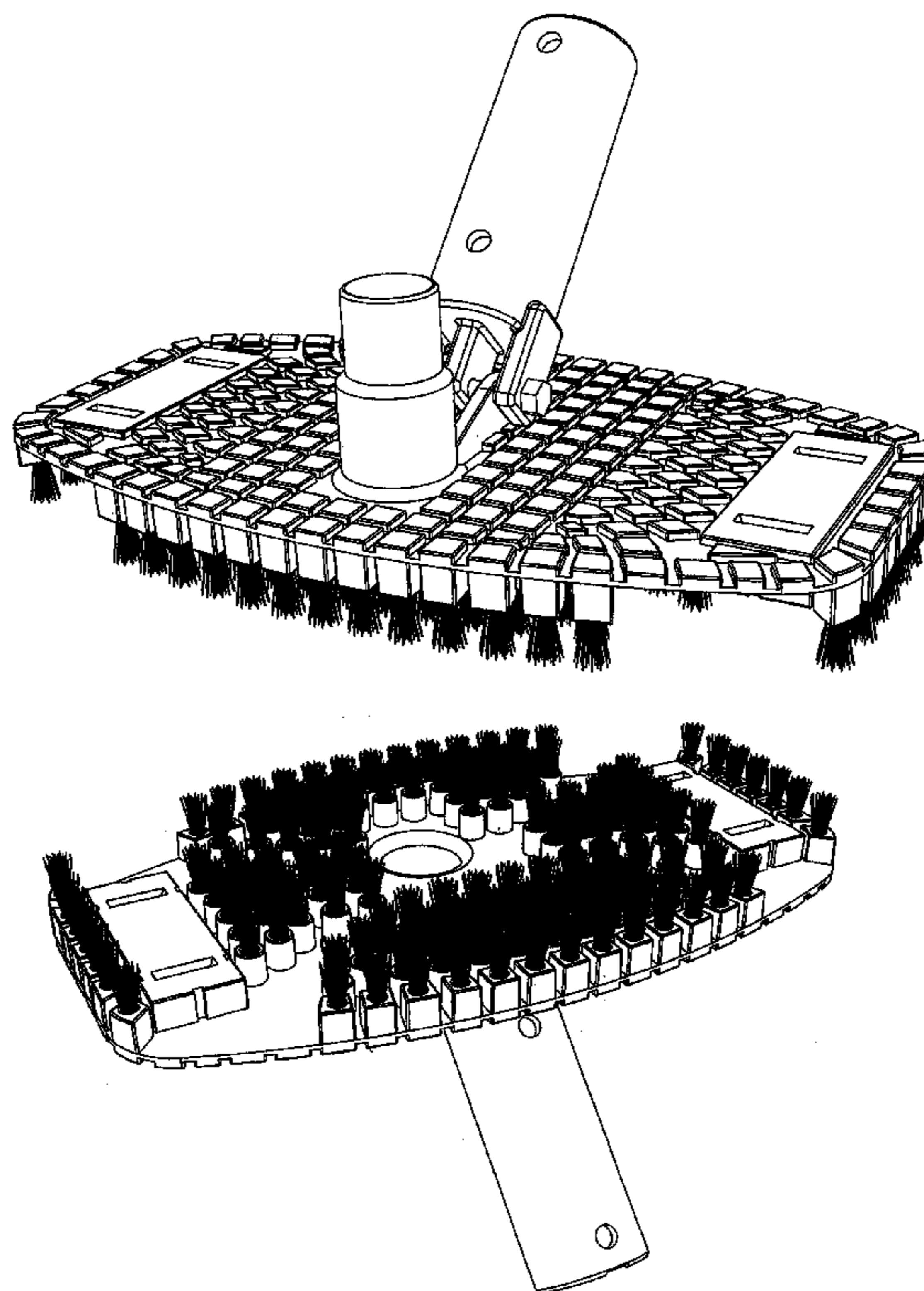
FIG. 5 is a back view thereof;

FIG. 6 is a side view thereof;

FIG. 7 is an underside view thereof; and,

FIG. 8 is a side view thereof.

1 Claim, 8 Drawing Sheets



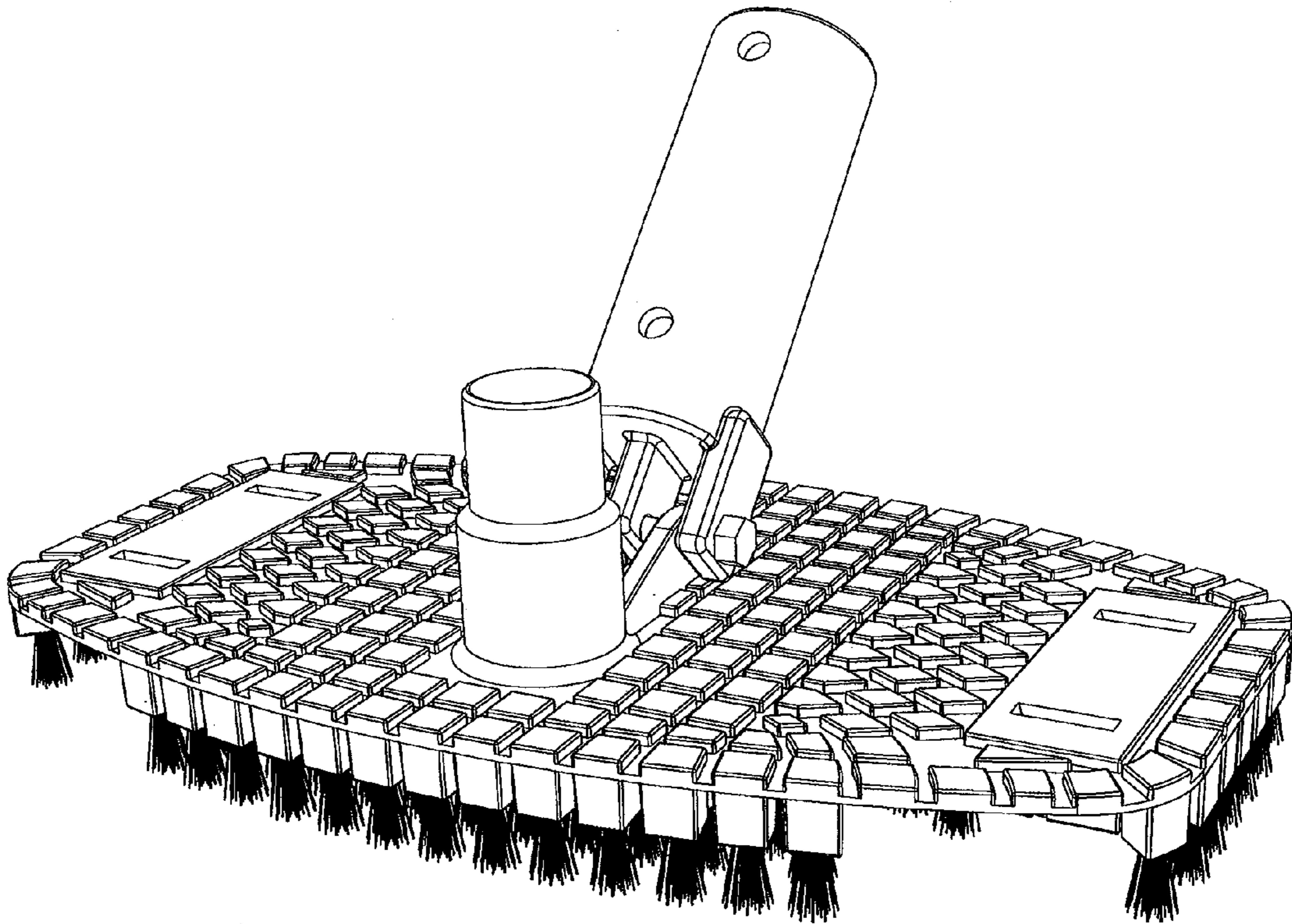


Figure 1

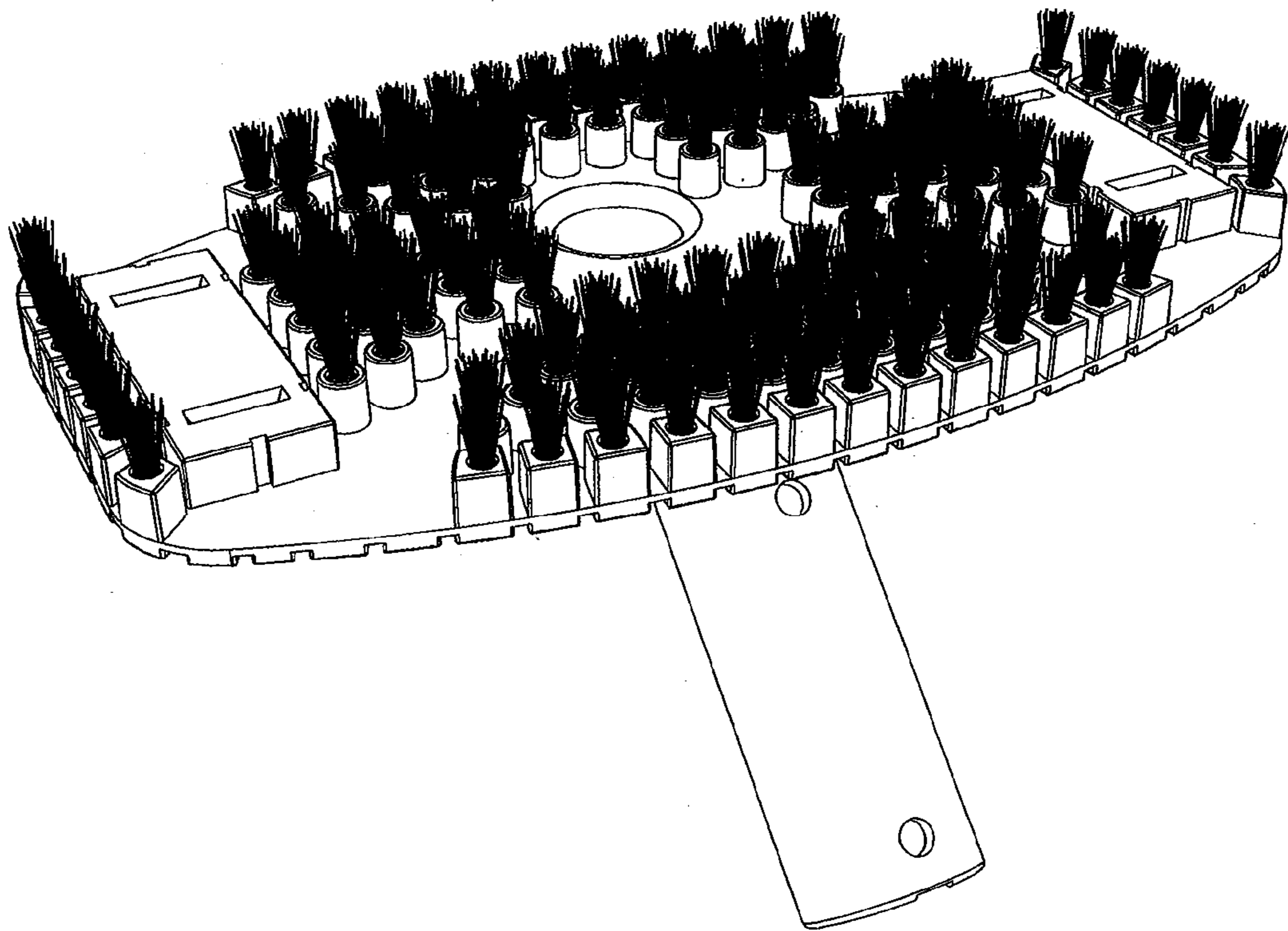


Figure 2

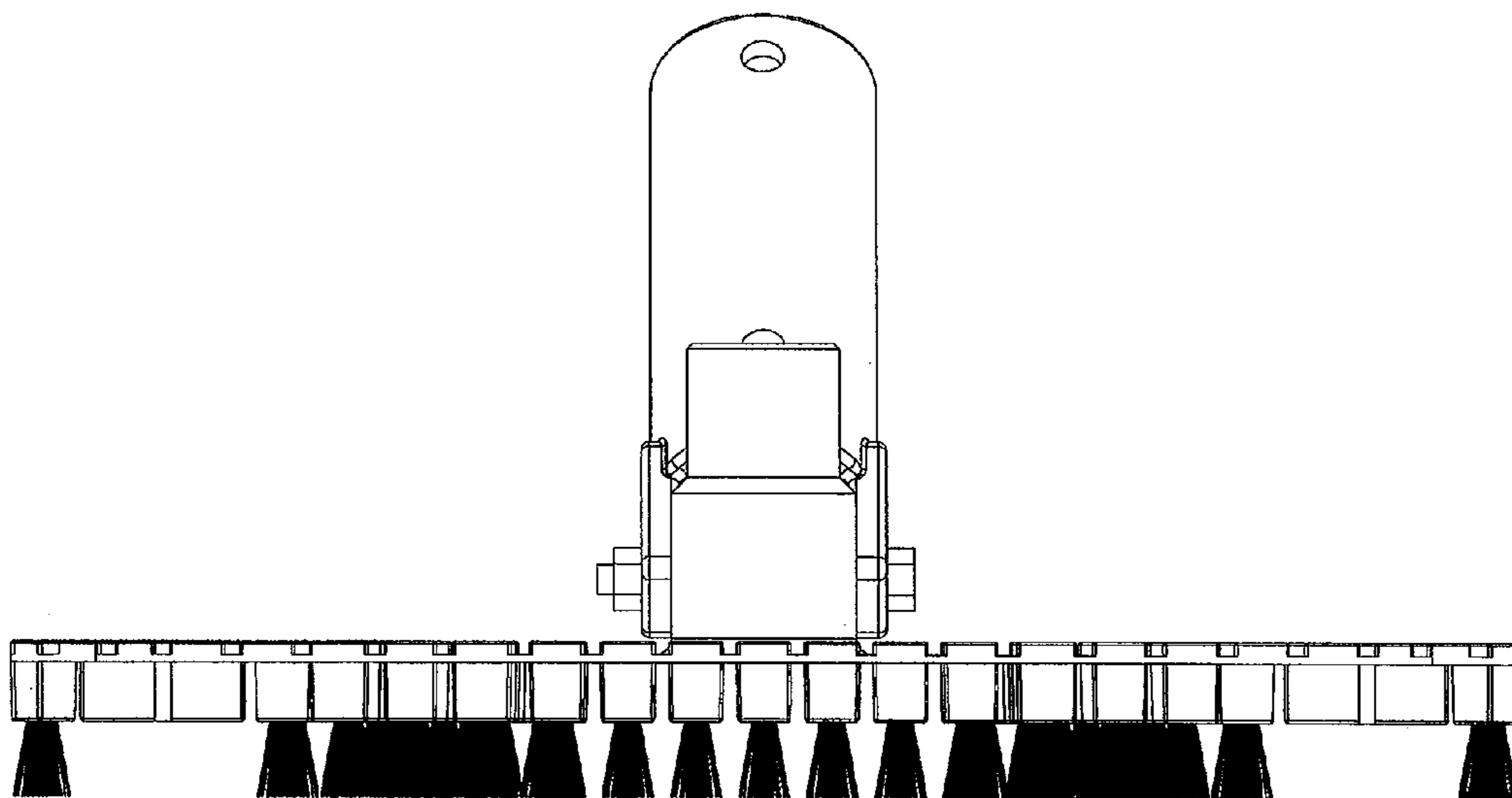


Figure 3

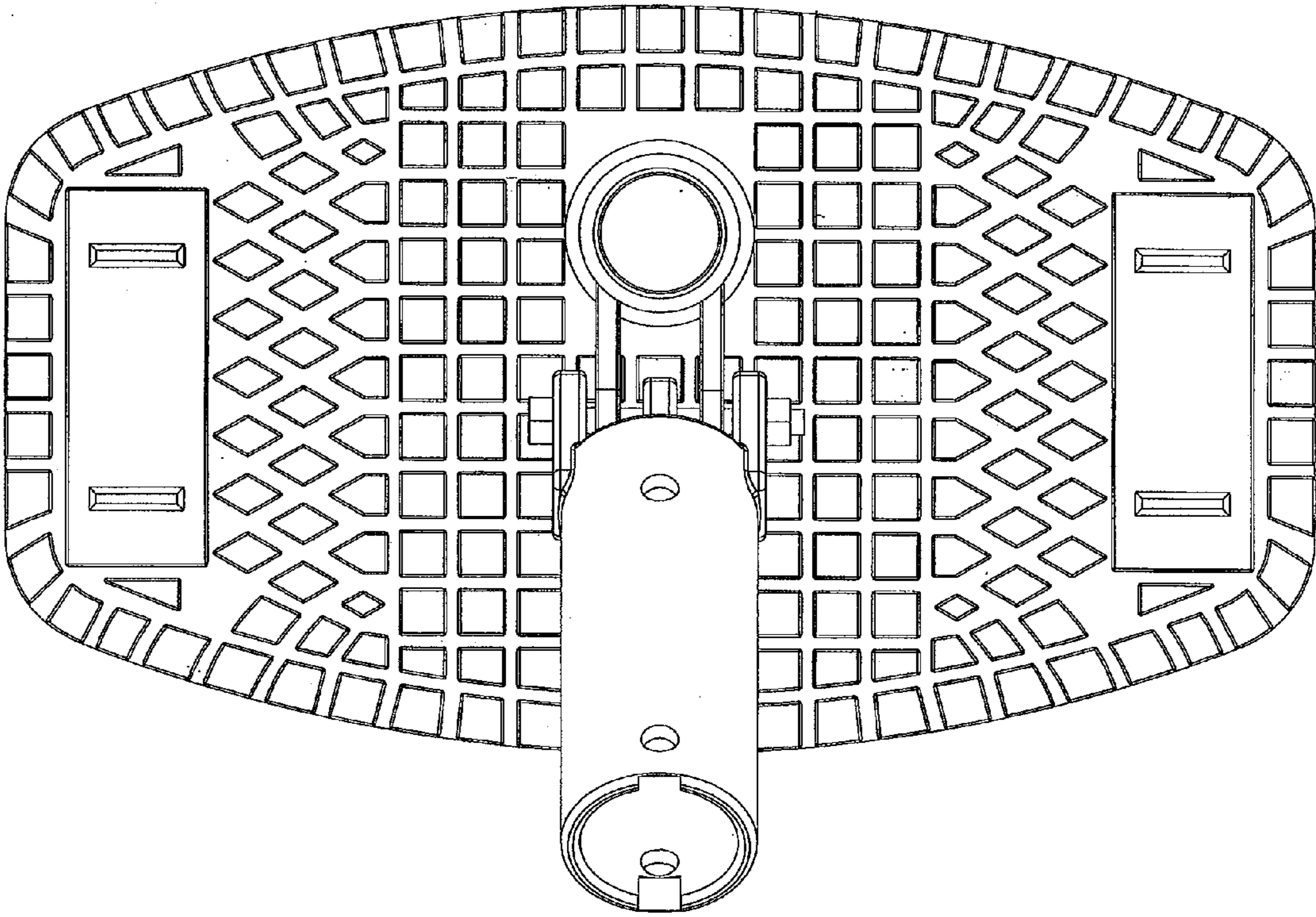


Figure 4

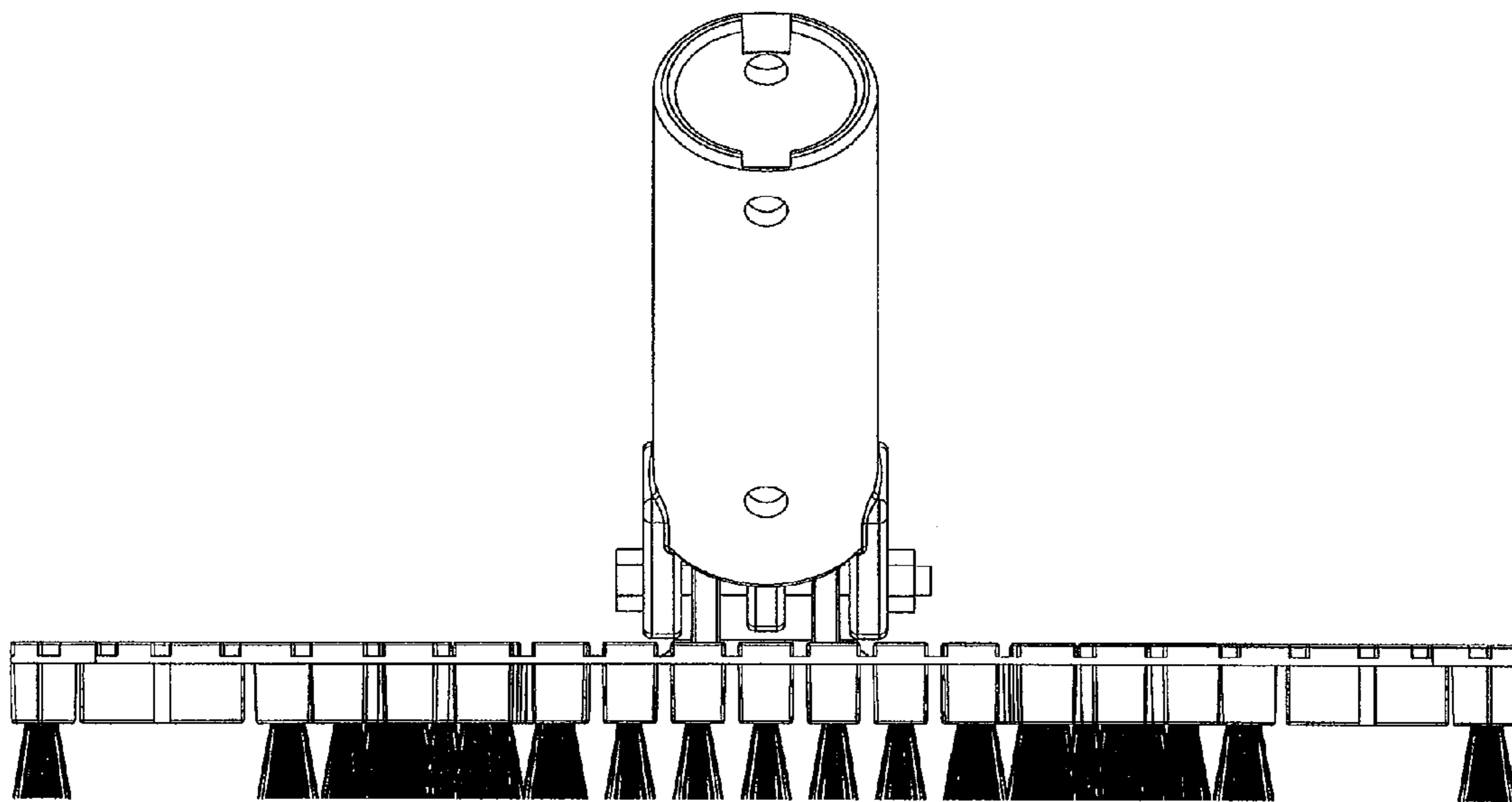


Figure 5

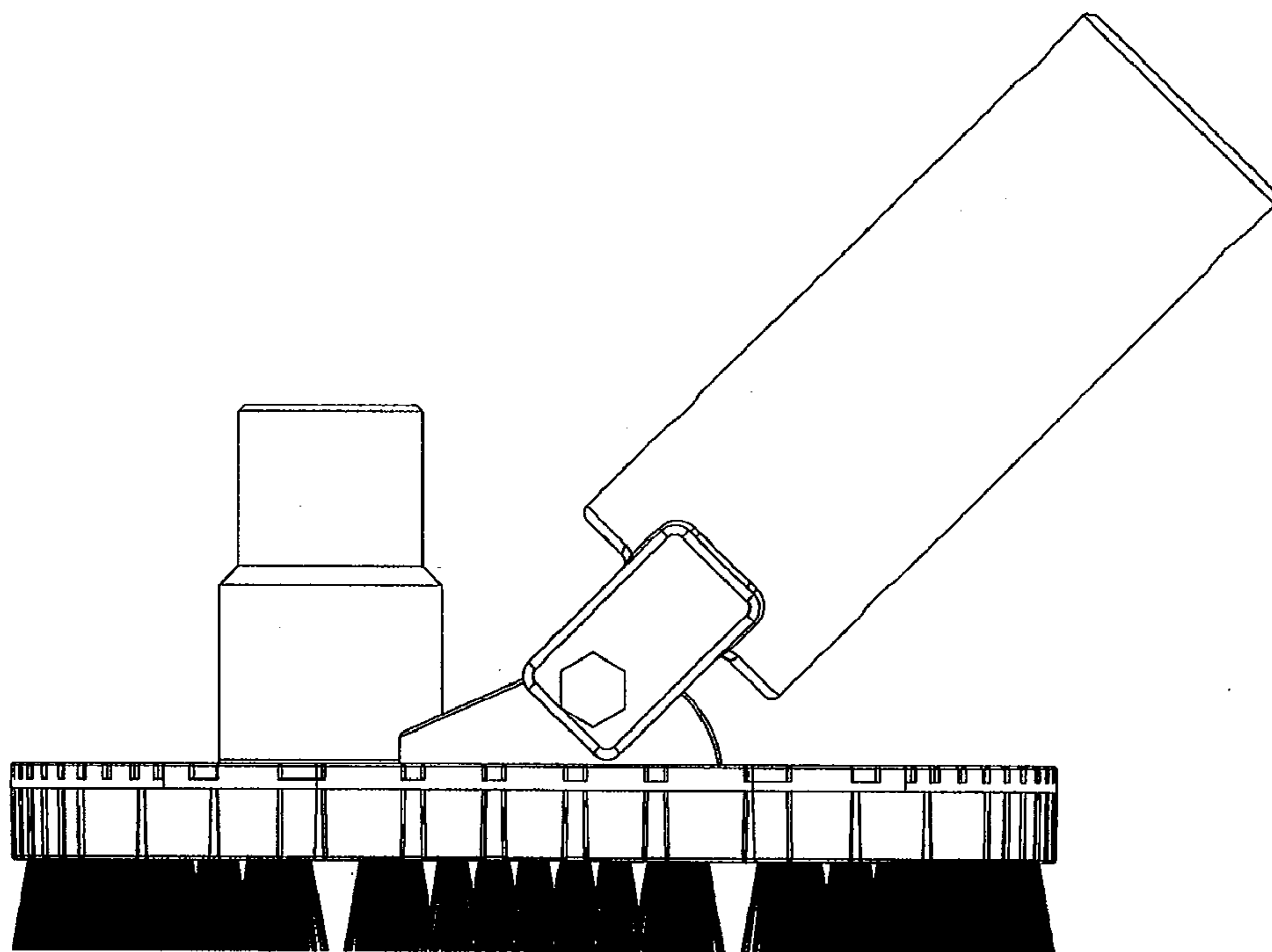


Figure 6

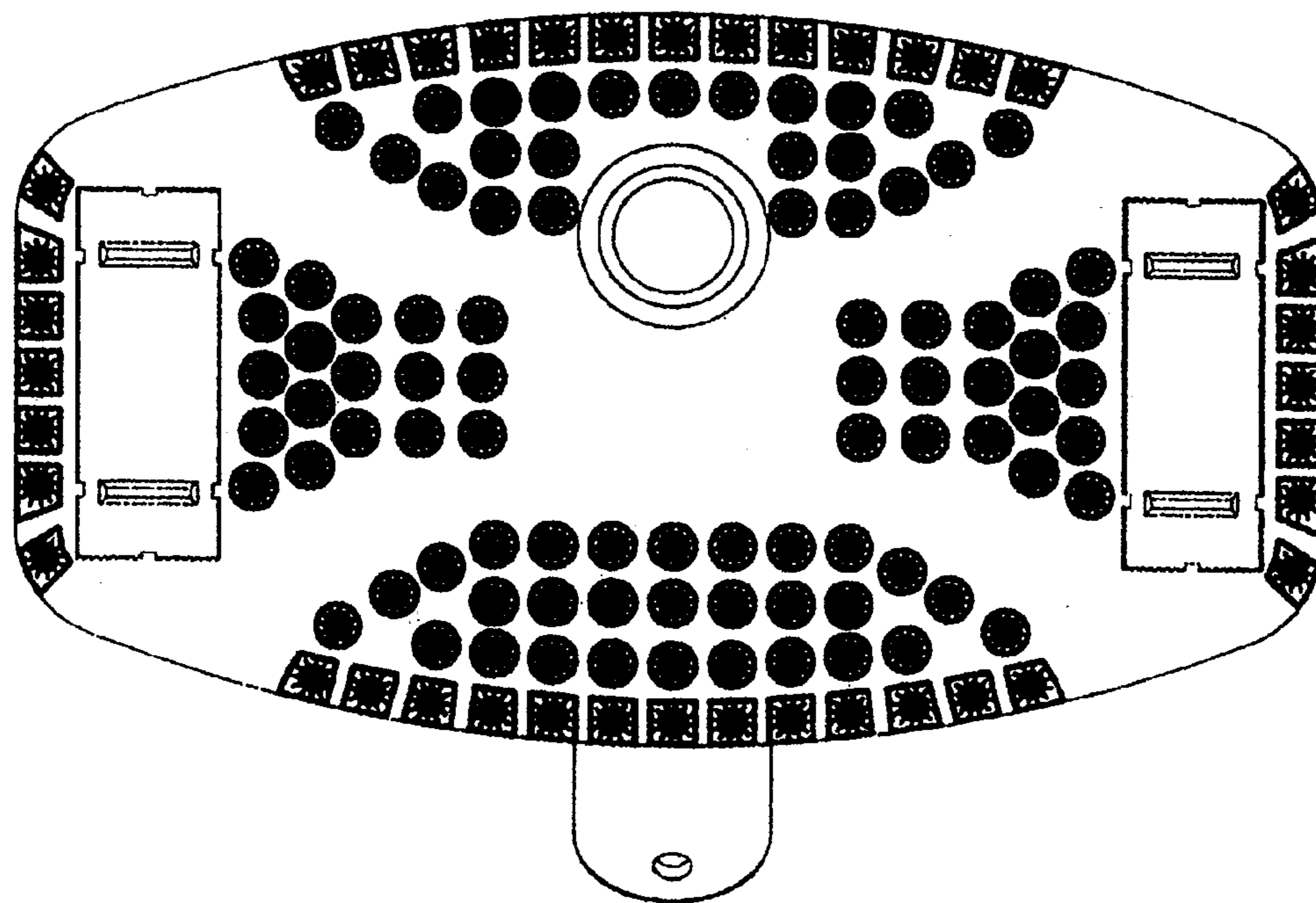


Figure 7

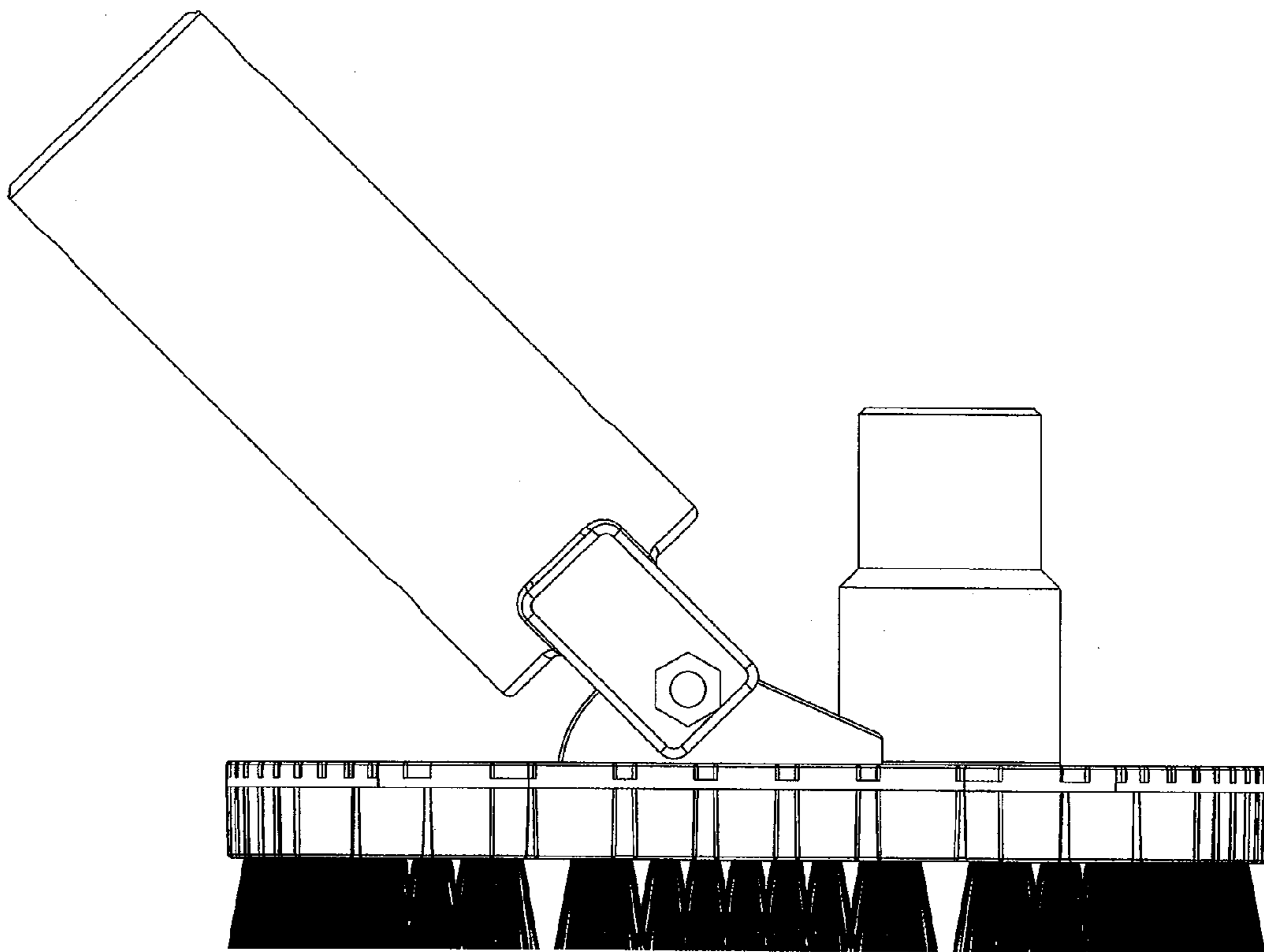


Figure 8