



US00D612114S

(12) **United States Design Patent**  
**Ikeno**

(10) **Patent No.:** **US D612,114 S**  
(45) **Date of Patent:** **\*\* Mar. 16, 2010**

(54) **ELECTRIC VACUUM CLEANER**

(75) Inventor: **Kenji Ikeno, Ono (JP)**

(73) Assignee: **Sanyo Electric Co., Ltd. (JP)**

(\*\*) Term: **14 Years**

(21) Appl. No.: **29/298,355**

(22) Filed: **Dec. 4, 2007**

(30) **Foreign Application Priority Data**

Jun. 14, 2007 (JP) ..... 2007-015865

(51) **LOC (9) Cl.** ..... **15-05**

(52) **U.S. Cl.** ..... **D32/22**

(58) **Field of Classification Search** ..... D32/21-22,  
D32/31, 34, 25; 15/347, 350-353, 361, 410-411,  
15/335, 366, 229.2, 246.2, 327.1-327.2;  
55/366, 429, 315, 356, 372

See application file for complete search history.

(56) **References Cited**

**U.S. PATENT DOCUMENTS**

- D305,269 S \* 12/1989 Dyson ..... D32/22
- D417,533 S \* 12/1999 Burchard et al. .... D32/22
- 6,141,826 A \* 11/2000 Conrad et al. .... 15/347
- D455,876 S \* 4/2002 Arney et al. .... D32/22
- D510,465 S \* 10/2005 Takahashi et al. .... D32/22

- D531,770 S \* 11/2006 Luebbering et al. .... D32/22
- D532,944 S \* 11/2006 Choi ..... D32/22
- D537,584 S \* 2/2007 Greene et al. .... D32/22
- D553,814 S \* 10/2007 Parr et al. .... D32/22
- D587,870 S \* 3/2009 Baek et al. .... D32/22
- 2007/0022562 A1 \* 2/2007 Hampton ..... 15/327.2

\* cited by examiner

*Primary Examiner*—Ruth McInroy

(74) *Attorney, Agent, or Firm*—Studebaker & Brackett PC;  
Donald R. Studebaker

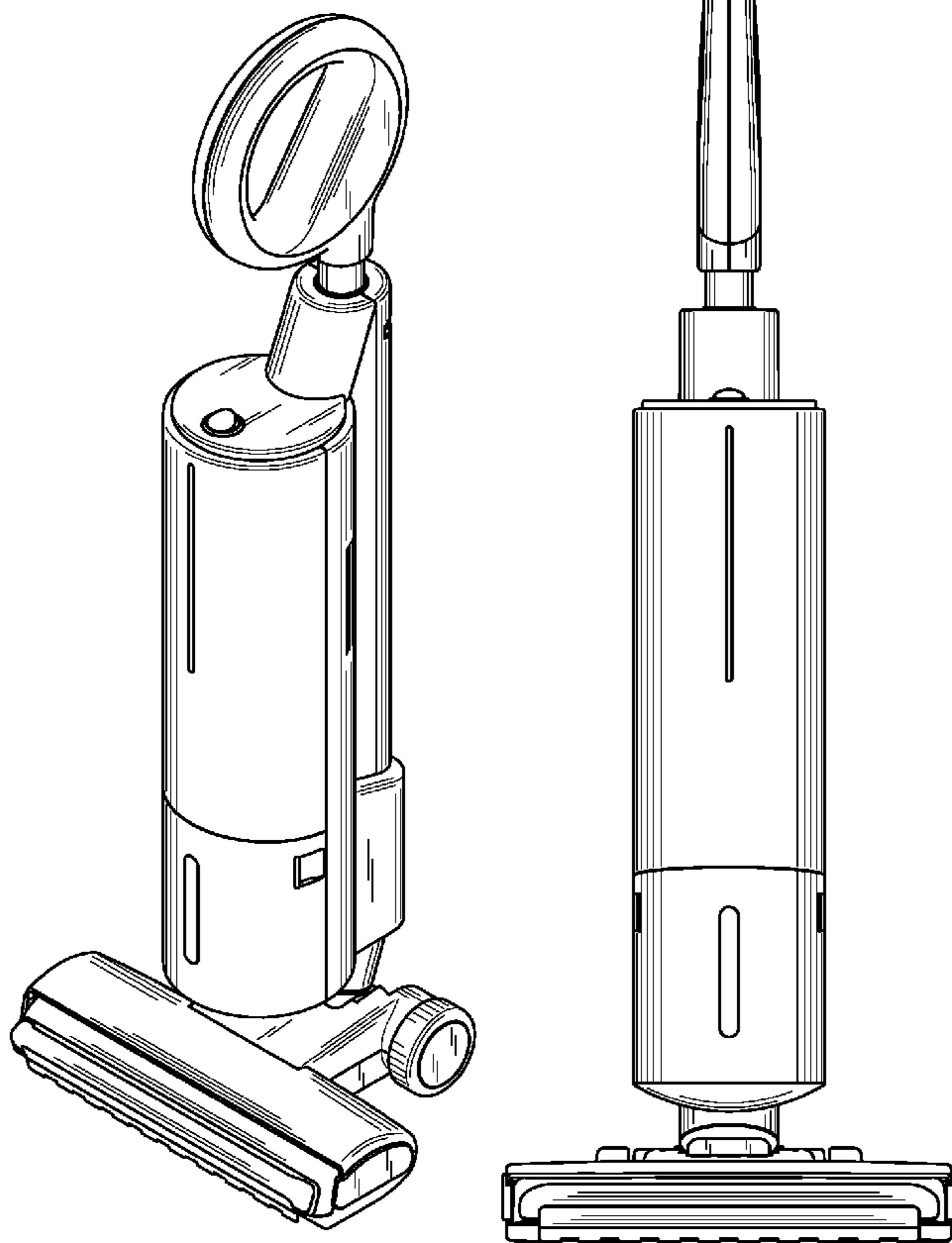
(57) **CLAIM**

The ornamental design for an electric vacuum cleaner, as shown and described.

**DESCRIPTION**

FIG. 1 is a perspective view of an electric vacuum cleaner;  
 FIG. 2 is a front view thereof;  
 FIG. 3 is a rear view thereof;  
 FIG. 4 is a left side view thereof;  
 FIG. 5 is a right side view thereof;  
 FIG. 6 is a top view thereof;  
 FIG. 7 is a bottom view thereof; and,  
 FIG. 8 is a perspective view showing a wand extended.

**1 Claim, 5 Drawing Sheets**



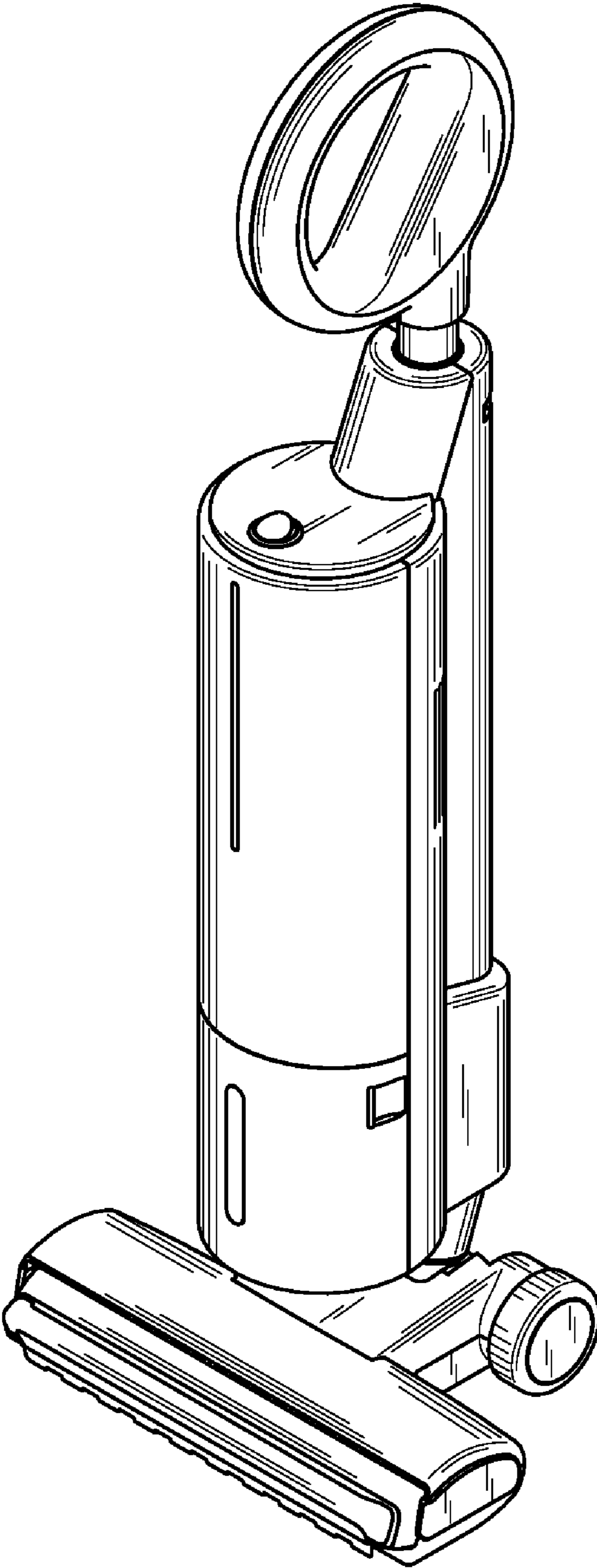


FIG.1

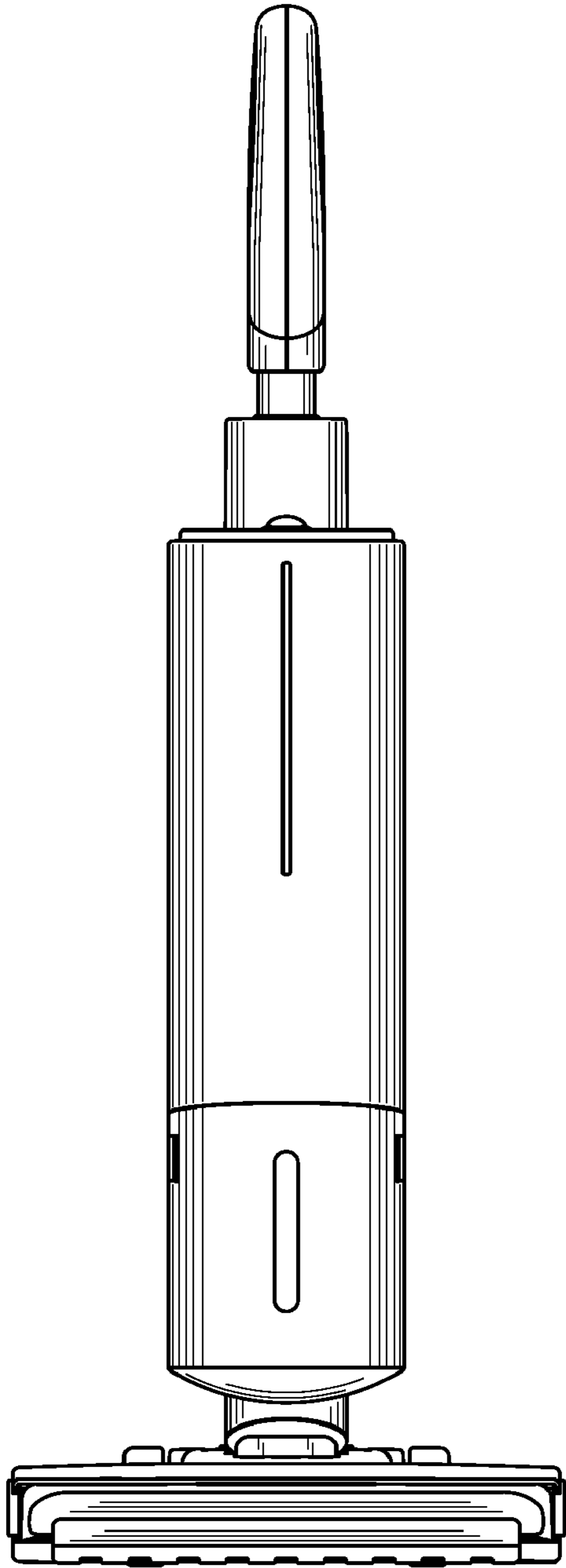


FIG. 2

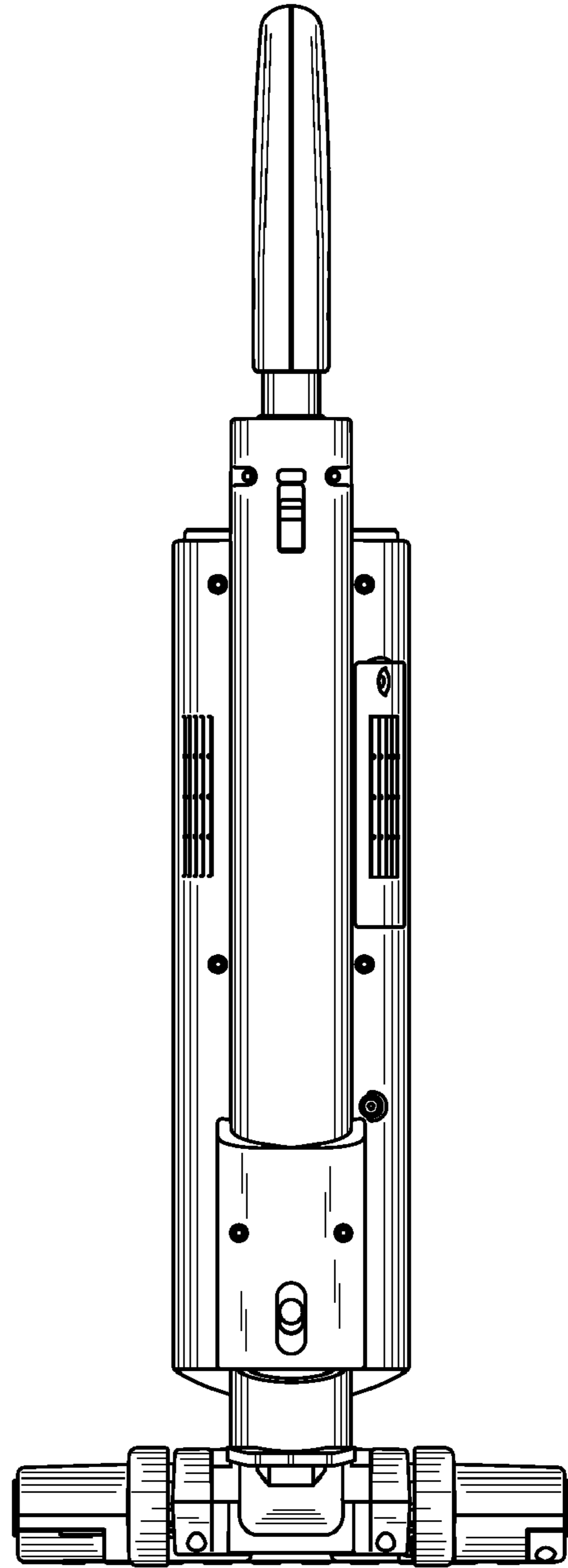


FIG. 3

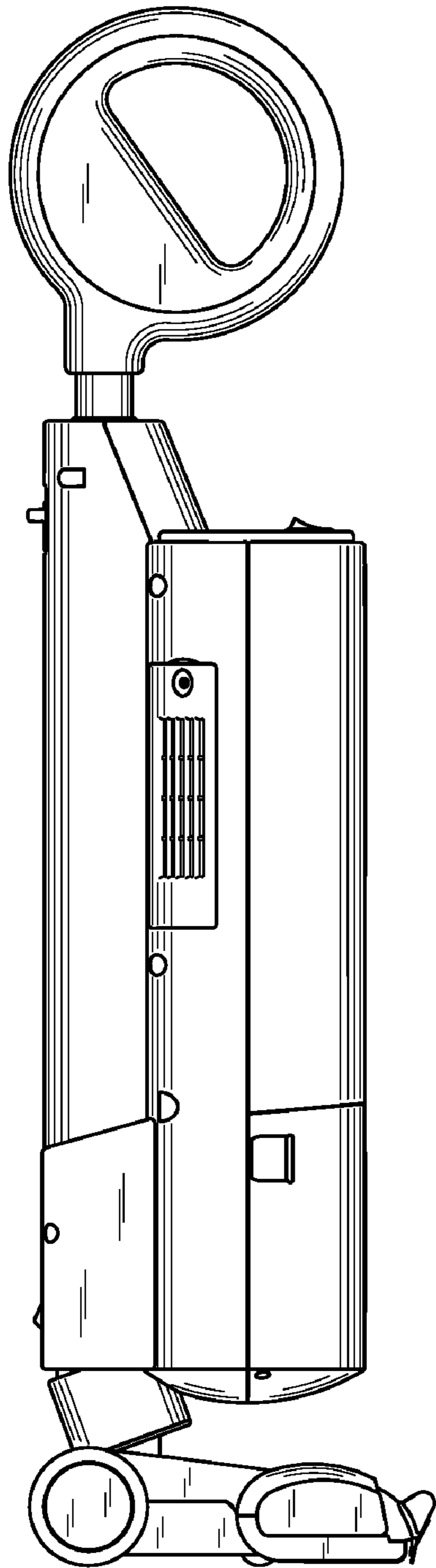


FIG.4

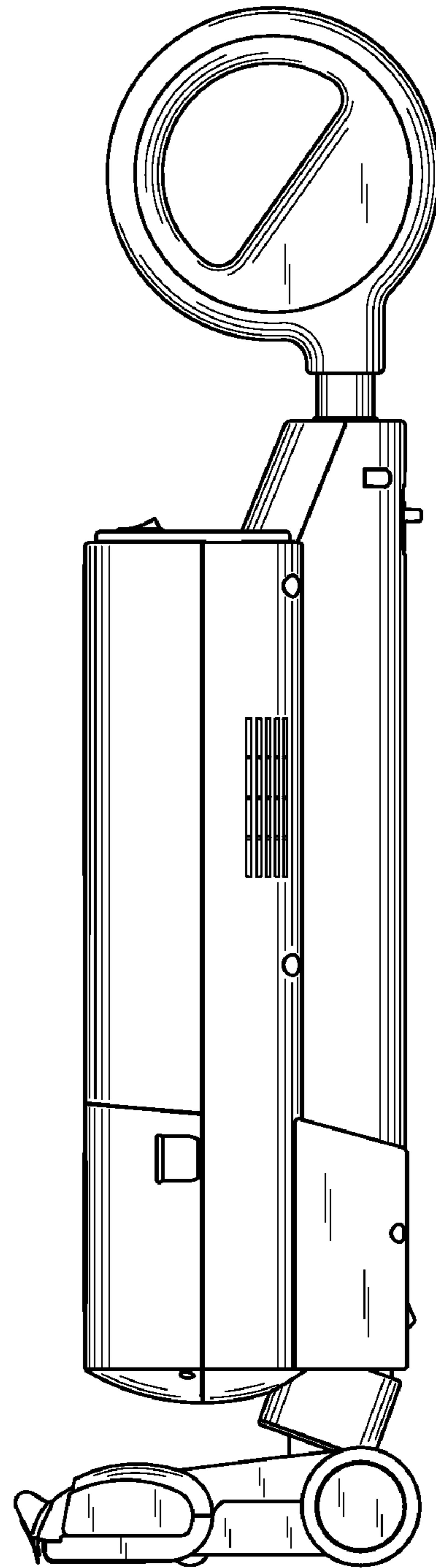


FIG.5

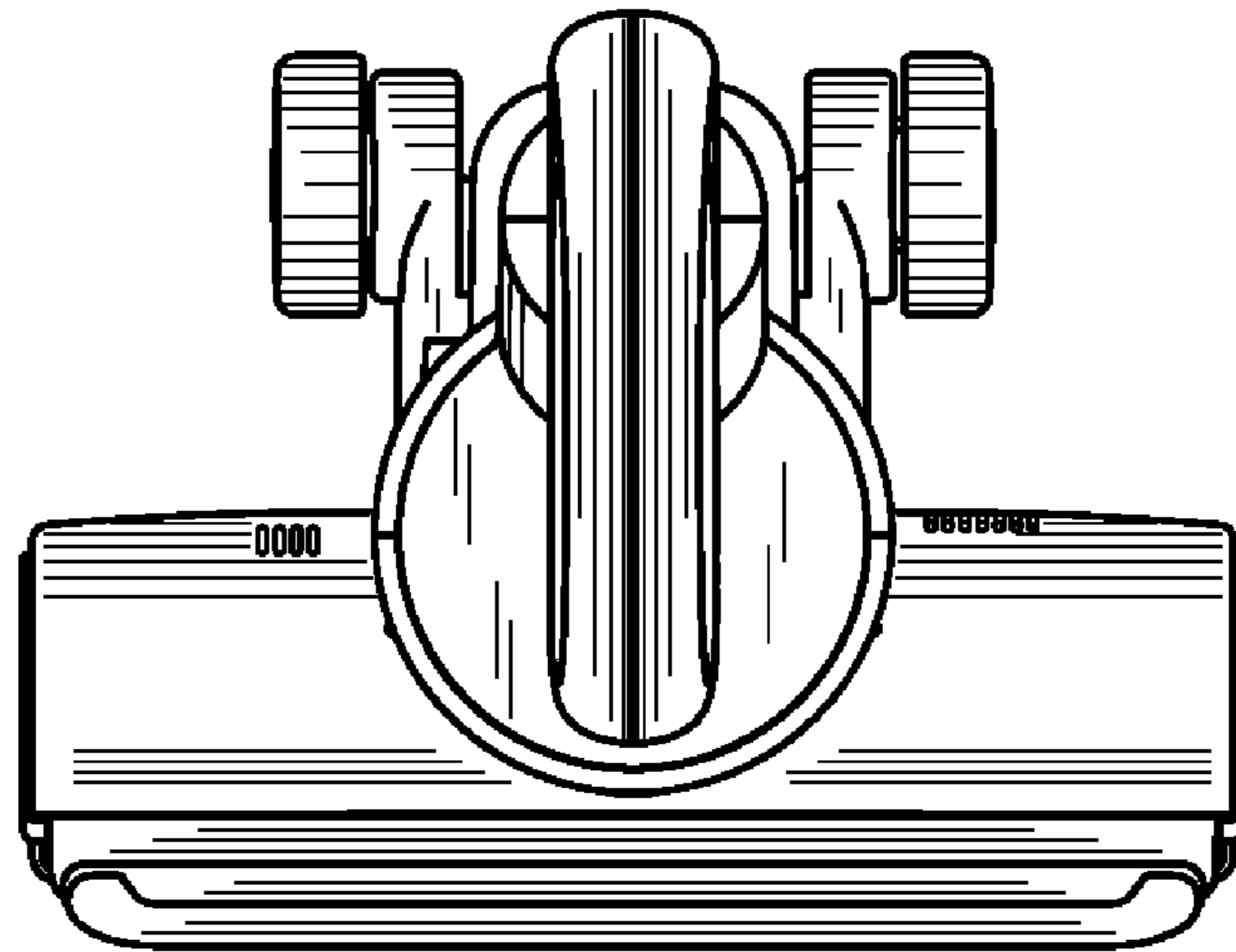


FIG. 6

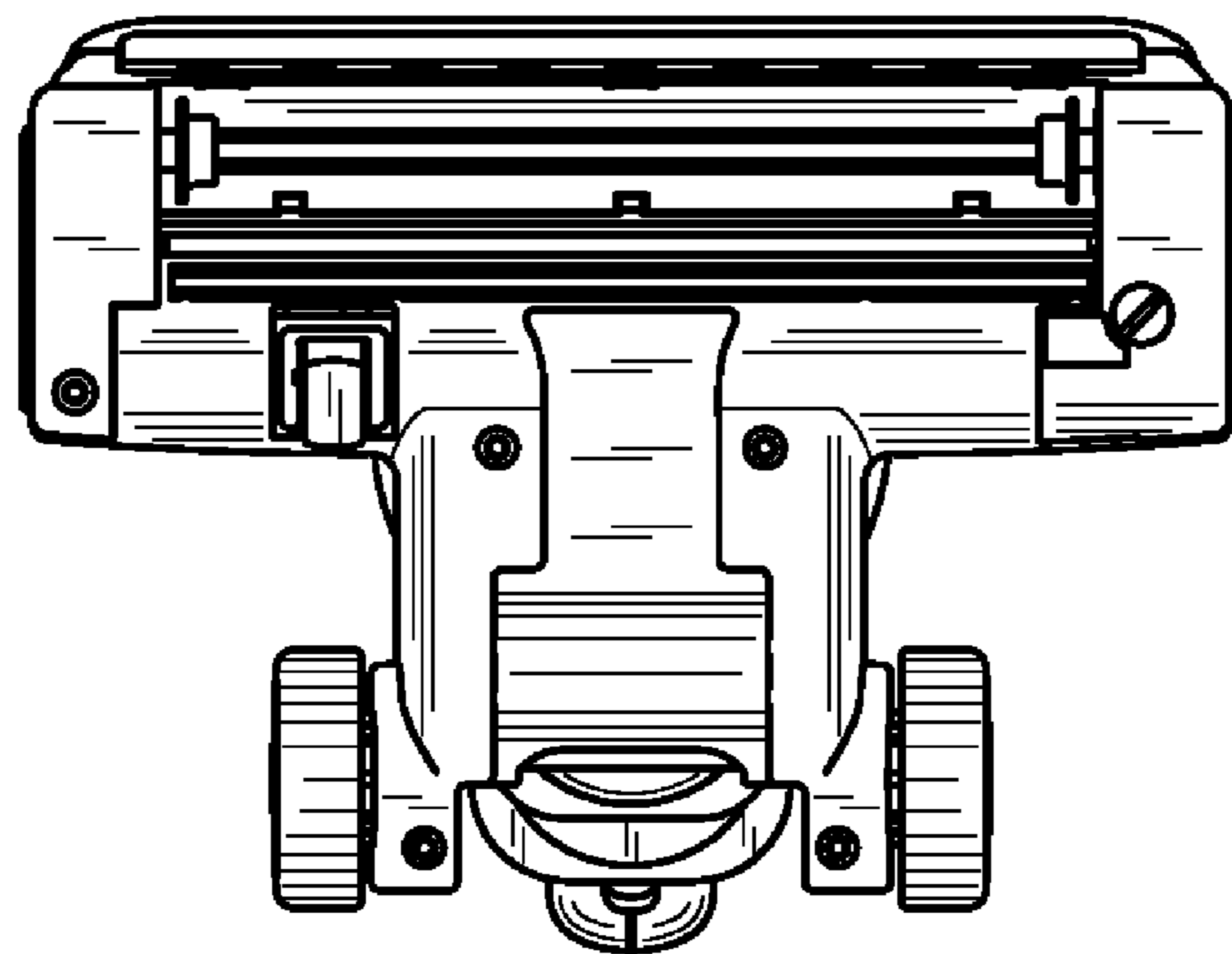


FIG. 7

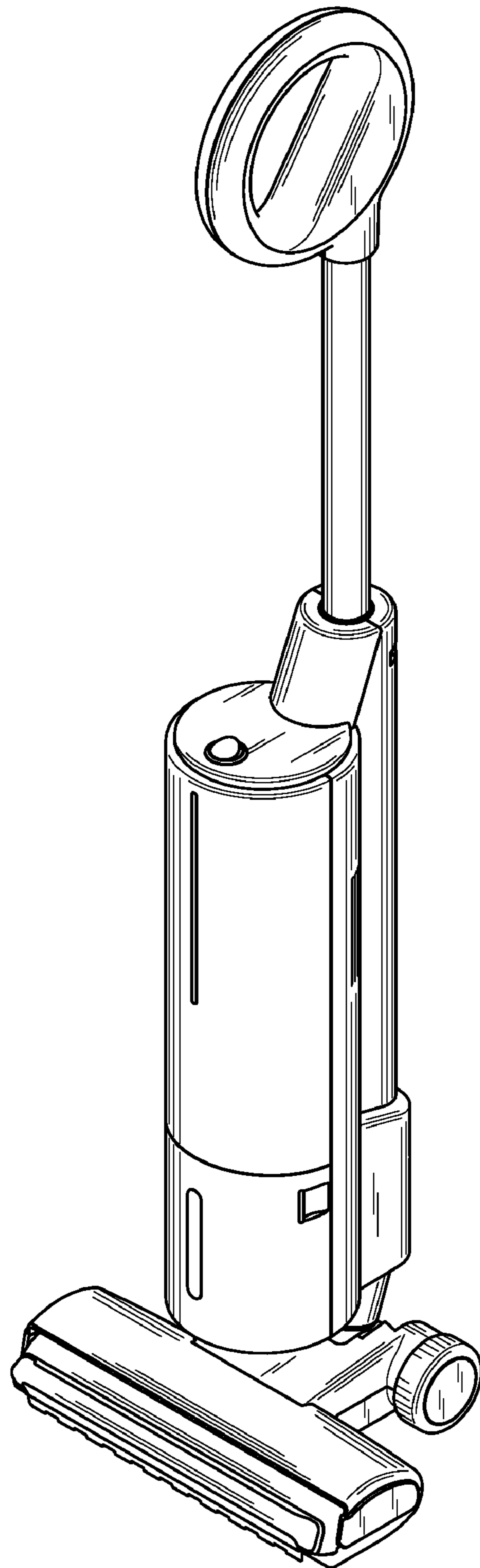


FIG.8