



US00D612112S

(12) **United States Design Patent**  
**Handal**

(10) **Patent No.:** **US D612,112 S**  
(45) **Date of Patent:** **\*\* Mar. 16, 2010**

(54) **BIRD SKATE**

2006/0225664 A1\* 10/2006 Zych ..... 119/537

(76) Inventor: **Patricia M. Handal**, P.O. Box 551406,  
South Lake Tahoe, CA (US) 96155

\* cited by examiner

(\*\*) Term: **14 Years**

*Primary Examiner*—Robert M Spear  
*Assistant Examiner*—Rashida C McCoy  
(74) *Attorney, Agent, or Firm*—Berenato & White, LLC

(21) Appl. No.: **29/326,859**

(57) **CLAIM**

(22) Filed: **Oct. 26, 2008**

The ornamental design for a bird skate, as shown and described.

(51) **LOC (9) Cl.** ..... **30-99**

(52) **U.S. Cl.** ..... **D30/160; D21/423**

(58) **Field of Classification Search** ..... D30/110,  
D30/111, 124–128, 160, 199; 119/57.8–57.9,  
119/468, 531, 536–537, 706–708; D21/419,  
D21/421, 423, 424, 426, 433, 435, 533, 538,  
D21/760, 765, 771

**DESCRIPTION**

See application file for complete search history

FIG. 1 is a top and left side perspective view of the bird skate showing my design.

FIG. 2 is a left side view of the bird skate of FIG. 1.

FIG. 3 is a right side view of the bird skate of FIG. 1.

FIG. 4 is a front view of the bird skate of FIG. 1.

FIG. 5 is a rear view of the bird skate of FIG. 1.

FIG. 6 is a top plan view of the bird skate of FIG. 1.

FIG. 7 is a bottom plan view of the bird skate of FIG. 1; and,

FIG. 8 is a left side view of the bird skate of FIG. 1 shown with a training draw bar attached to the front side thereof.

The broken line showing of the training draw bar is included for the purpose of illustrating environmental structure and forms no part of the claimed design.

(56) **References Cited**

**U.S. PATENT DOCUMENTS**

D51,097 S *	7/1917	Morse	.....	D21/617
D78,496 S *	5/1929	Wetzell	.....	D21/592
D140,883 S *	4/1945	Promer	.....	D21/592
2,496,603 A *	2/1950	Schwanengel	.....	446/237
D274,075 S *	5/1984	Doe	.....	D21/455
D599,506 S *	9/2009	Willinger	.....	D30/160

**1 Claim, 2 Drawing Sheets**

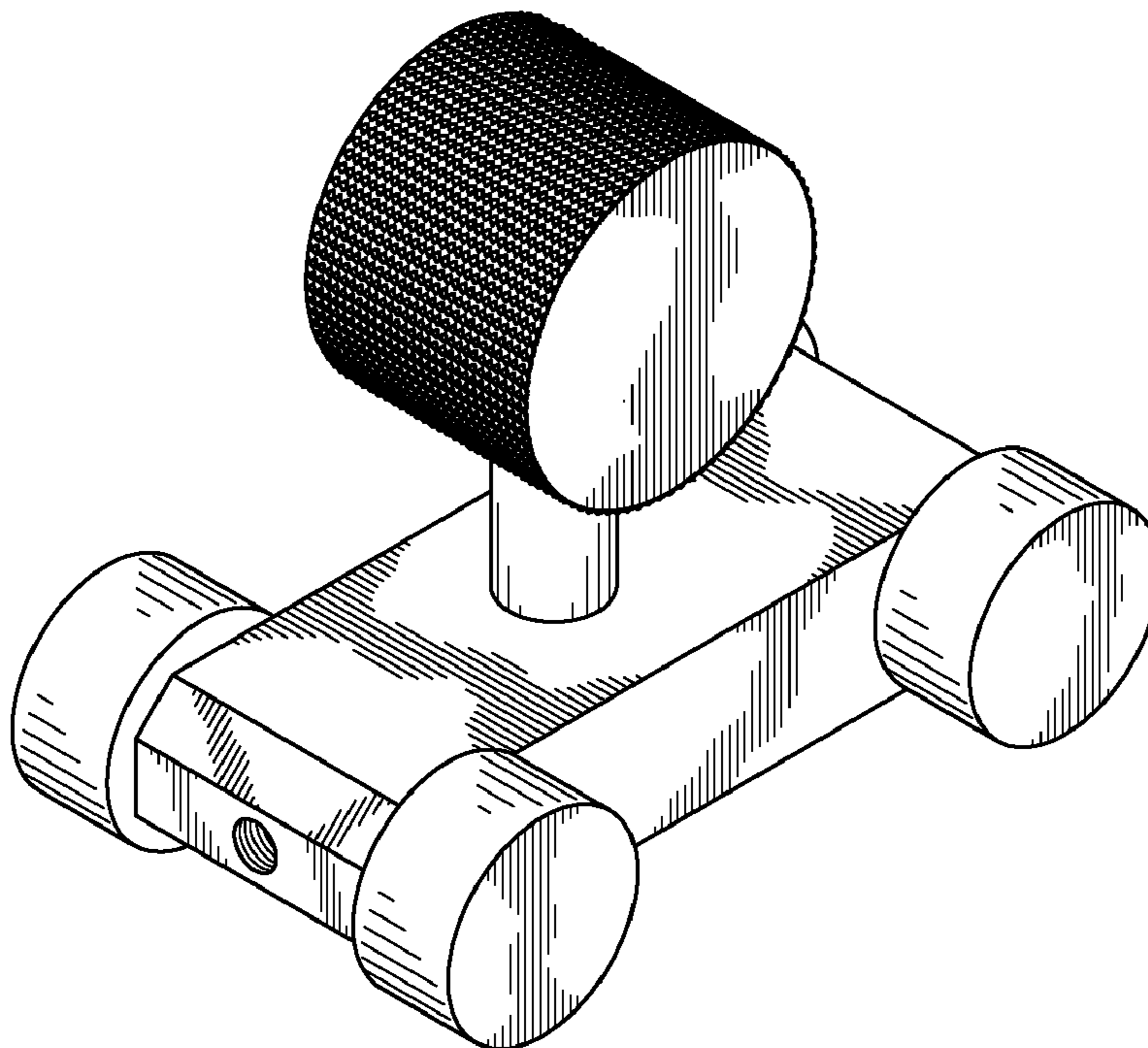


Fig. 1

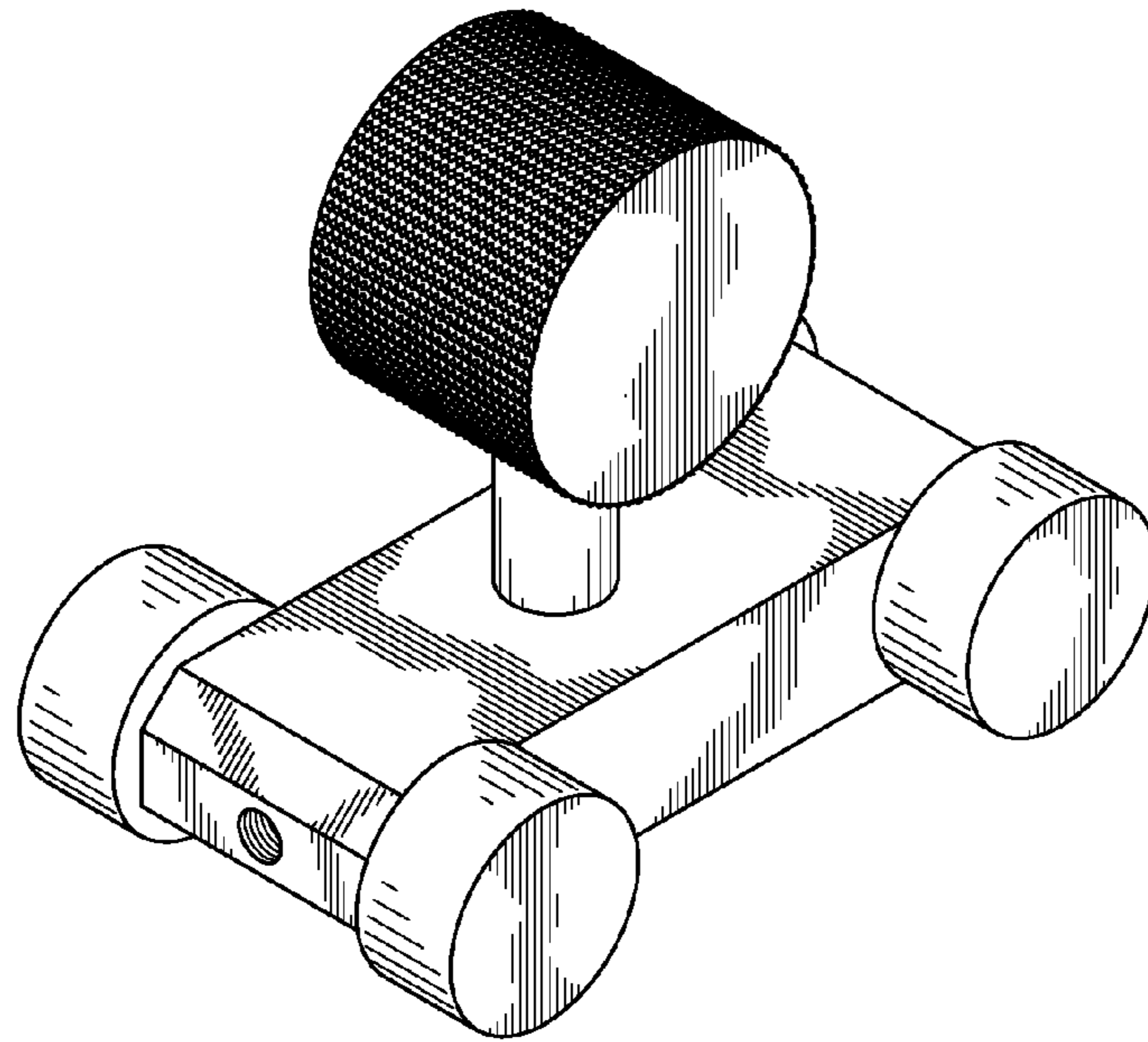


Fig. 2

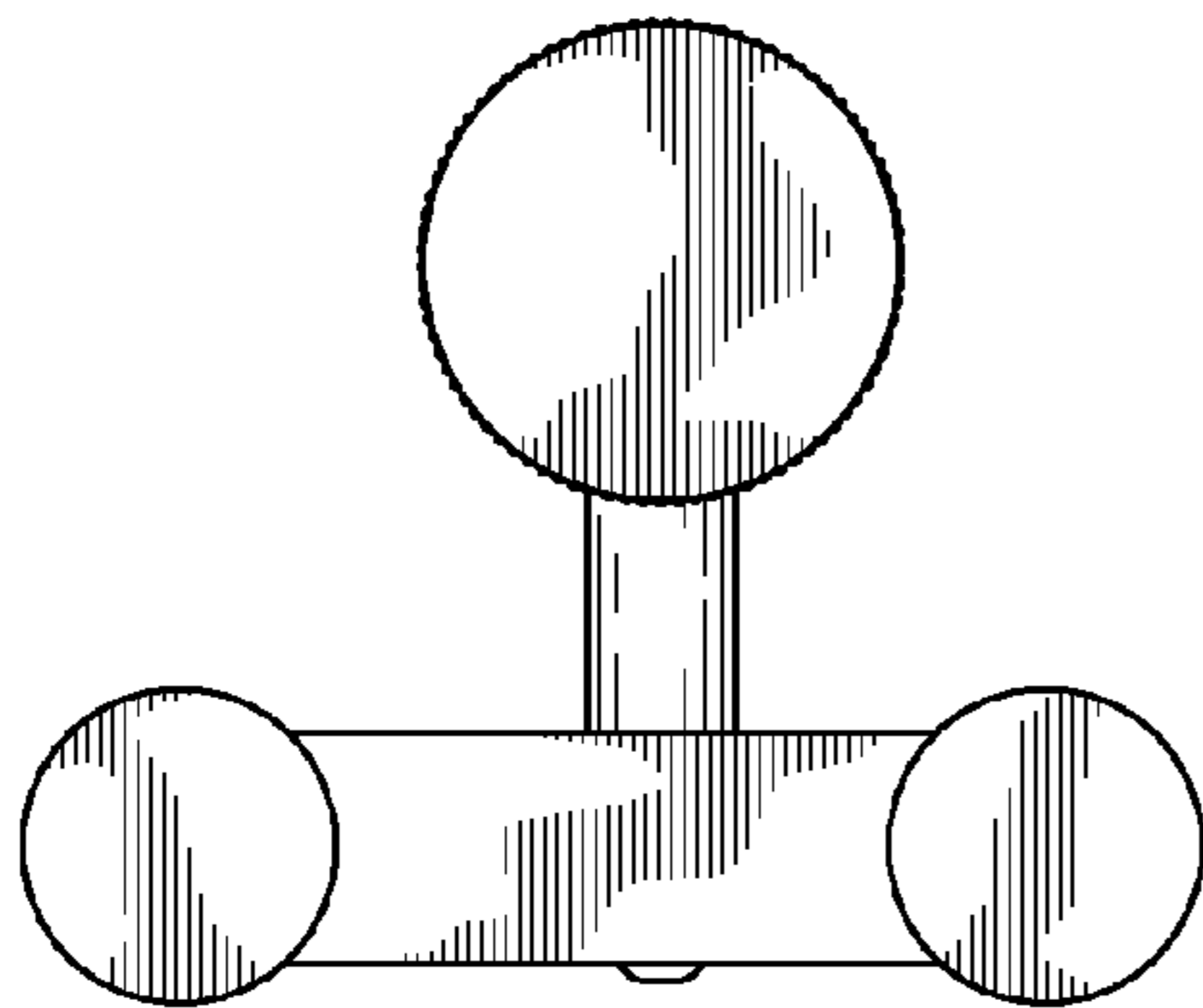


Fig. 3

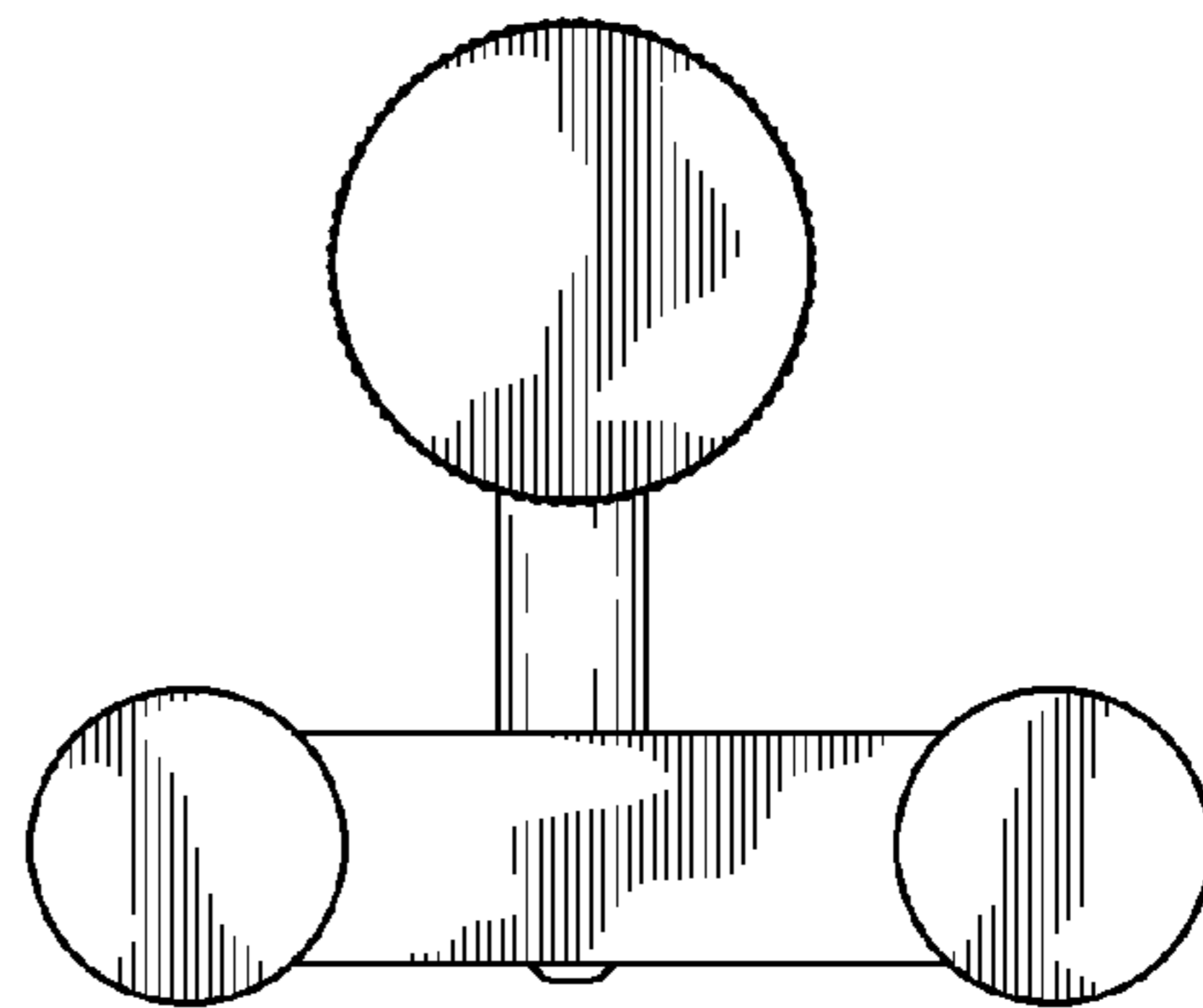


Fig. 4

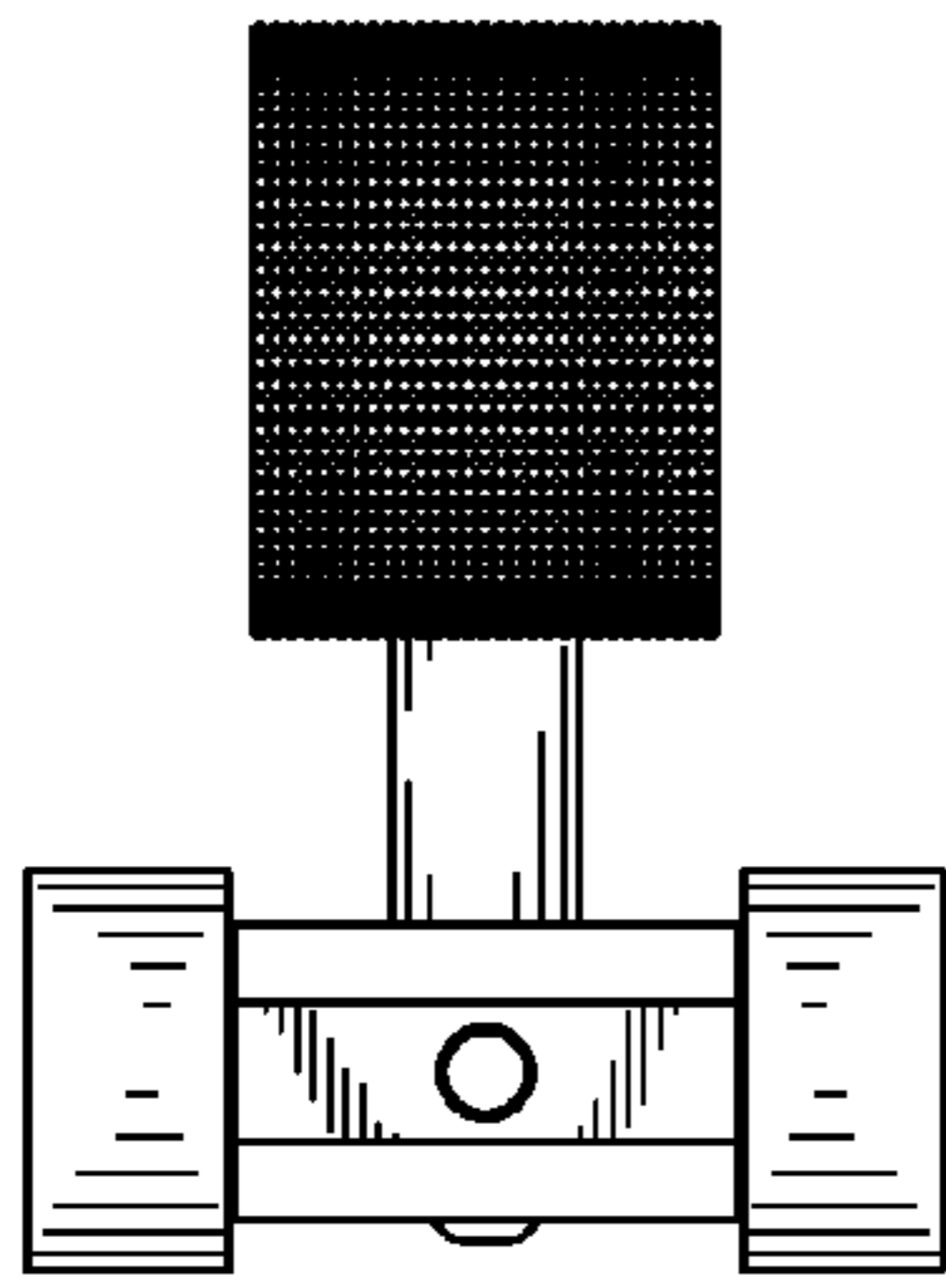


Fig. 5

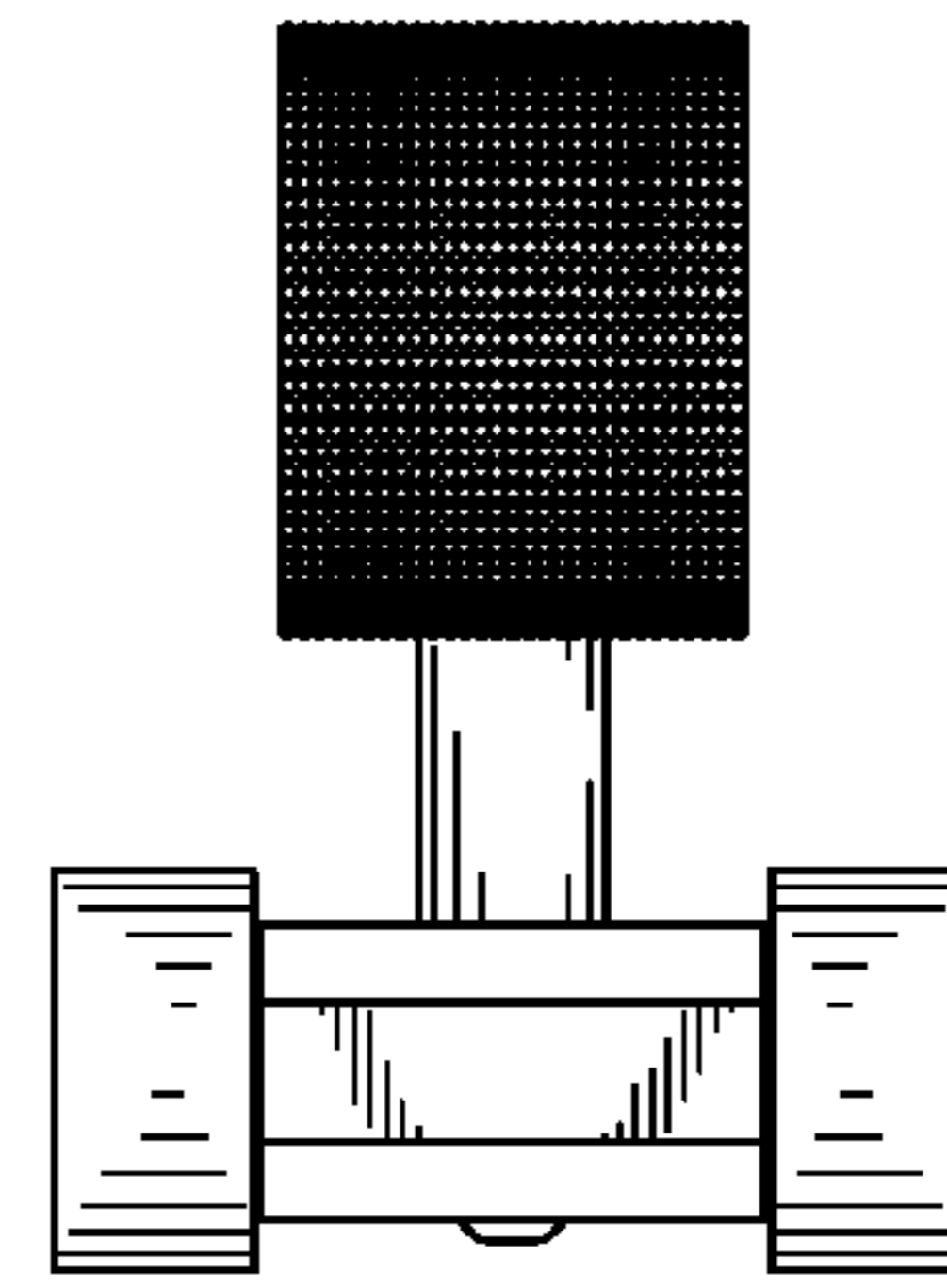


Fig. 6

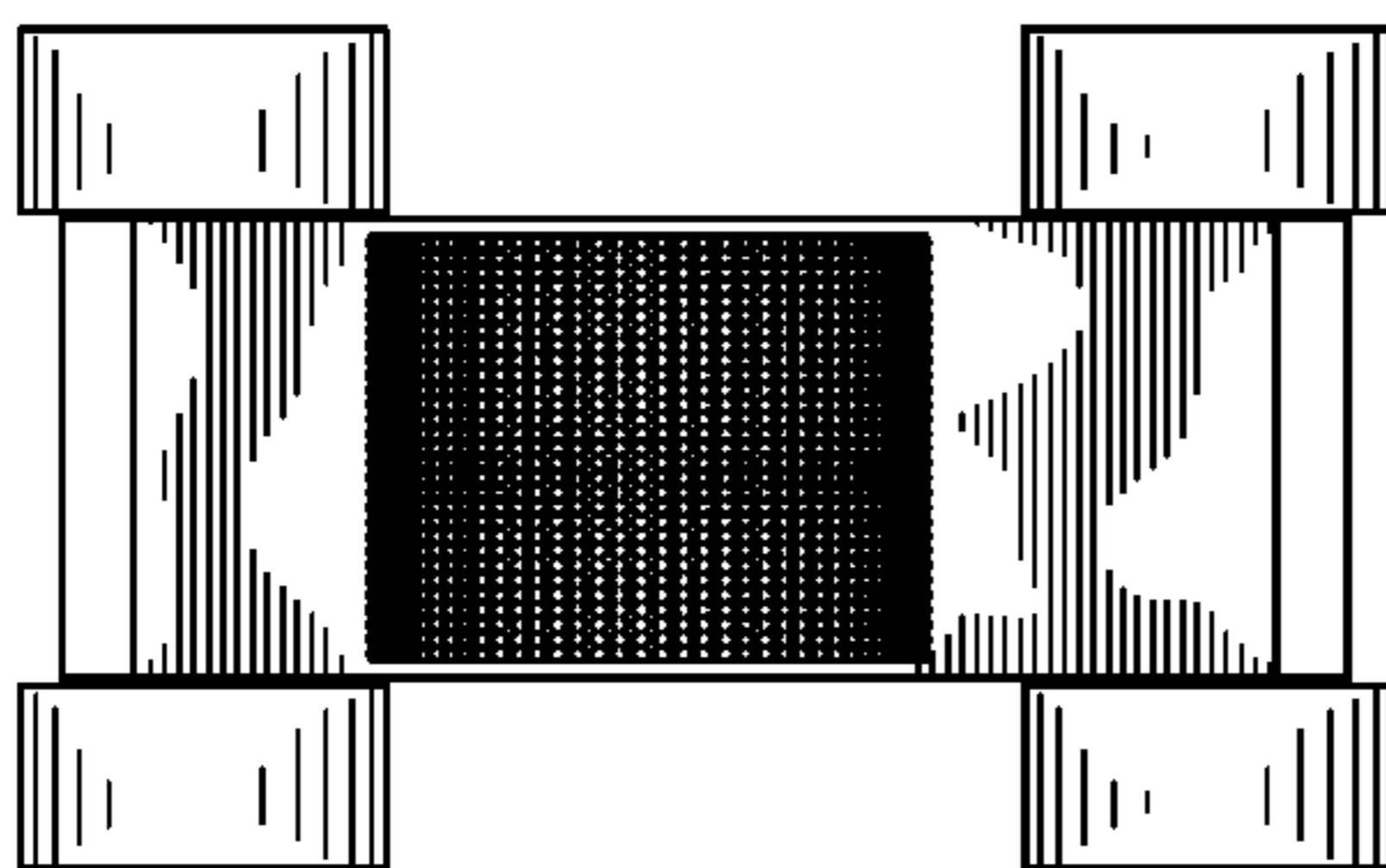


Fig. 7

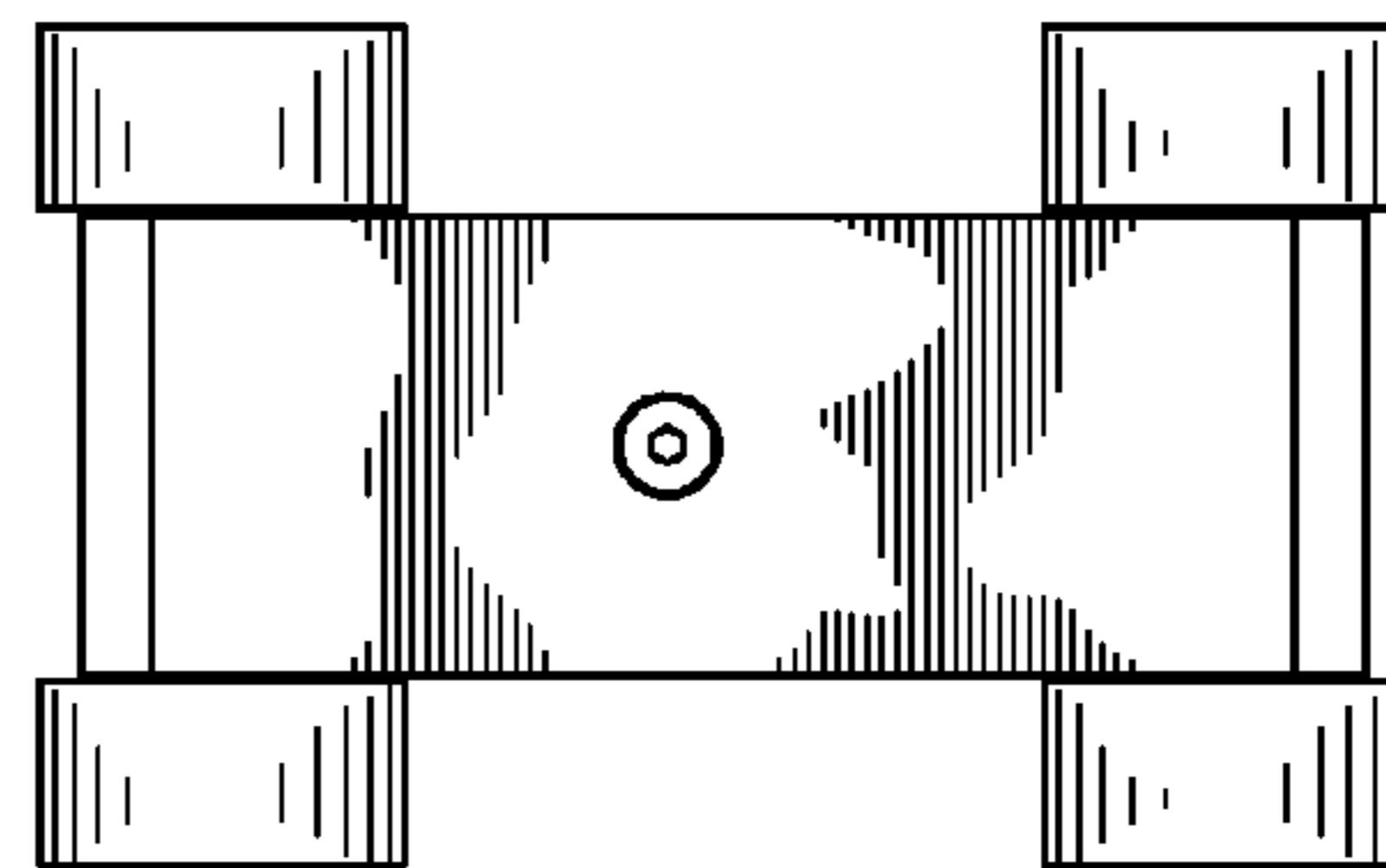


Fig. 8

