

US00D612111S

(12) **United States Design Patent**
Kellogg et al.

(10) **Patent No.:** **US D612,111 S**
(45) **Date of Patent:** **** Mar. 16, 2010**

(54) **FELINE PLAY STRUCTURE**

(75) Inventors: **Adam M. Kellogg**, Oconomowoc, WI (US); **Kelly C. Kellogg**, Oconomowoc, WI (US); **Dean B. Krotts**, Hartland, WI (US)

(73) Assignee: **SportPet Designs, Inc.**, Waukesha, WI (US)

(**) Term: **14 Years**

(21) Appl. No.: **29/313,227**

(22) Filed: **Dec. 18, 2008**

(51) **LOC (9) Cl.** **30-99**

(52) **U.S. Cl.** **D30/160**

(58) **Field of Classification Search** D30/108-119, D30/161; D6/396, 432, 448, 450, 452, 480, D6/491-492, 494-495, 474, 436; D21/505-507, D21/510, 811, 834, 838; 119/28.5, 452-453, 119/474, 482, 484, 491, 496-499, 161, 163-170, 119/502

See application file for complete search history.

(56) **References Cited**

U.S. PATENT DOCUMENTS

- D228,537 S * 10/1973 Jemmings D6/382
- 4,177,761 A * 12/1979 Bellocchi, Jr. 119/482
- 4,576,116 A * 3/1986 Binkert 119/498
- D298,577 S * 11/1988 Faxon D30/108
- D315,186 S * 3/1991 Peterson D21/803
- 5,050,536 A * 9/1991 Baker 119/499

- 5,148,768 A * 9/1992 Hinton 119/500
- D331,649 S * 12/1992 Saja D30/161
- D334,637 S * 4/1993 Mitchell D30/160
- D334,815 S * 4/1993 Bungler D25/113
- D347,092 S * 5/1994 Ravel D30/160
- D348,124 S * 6/1994 O'Rourke et al. D30/160
- D349,783 S * 8/1994 Berger D30/108

* cited by examiner

Primary Examiner—Stella M Reid

Assistant Examiner—Rashida C McCoy

(74) *Attorney, Agent, or Firm*—Ryan Kromholz & Manion, S.C.

(57) **CLAIM**

The ornamental design for a feline play structure, as shown and described.

DESCRIPTION

FIG. 1 is a perspective view of a feline play structure, showing our design;

FIG. 2 is a front elevation view thereof;

FIG. 3 is a rear elevation view thereof;

FIG. 4 is a left side elevation view thereof;

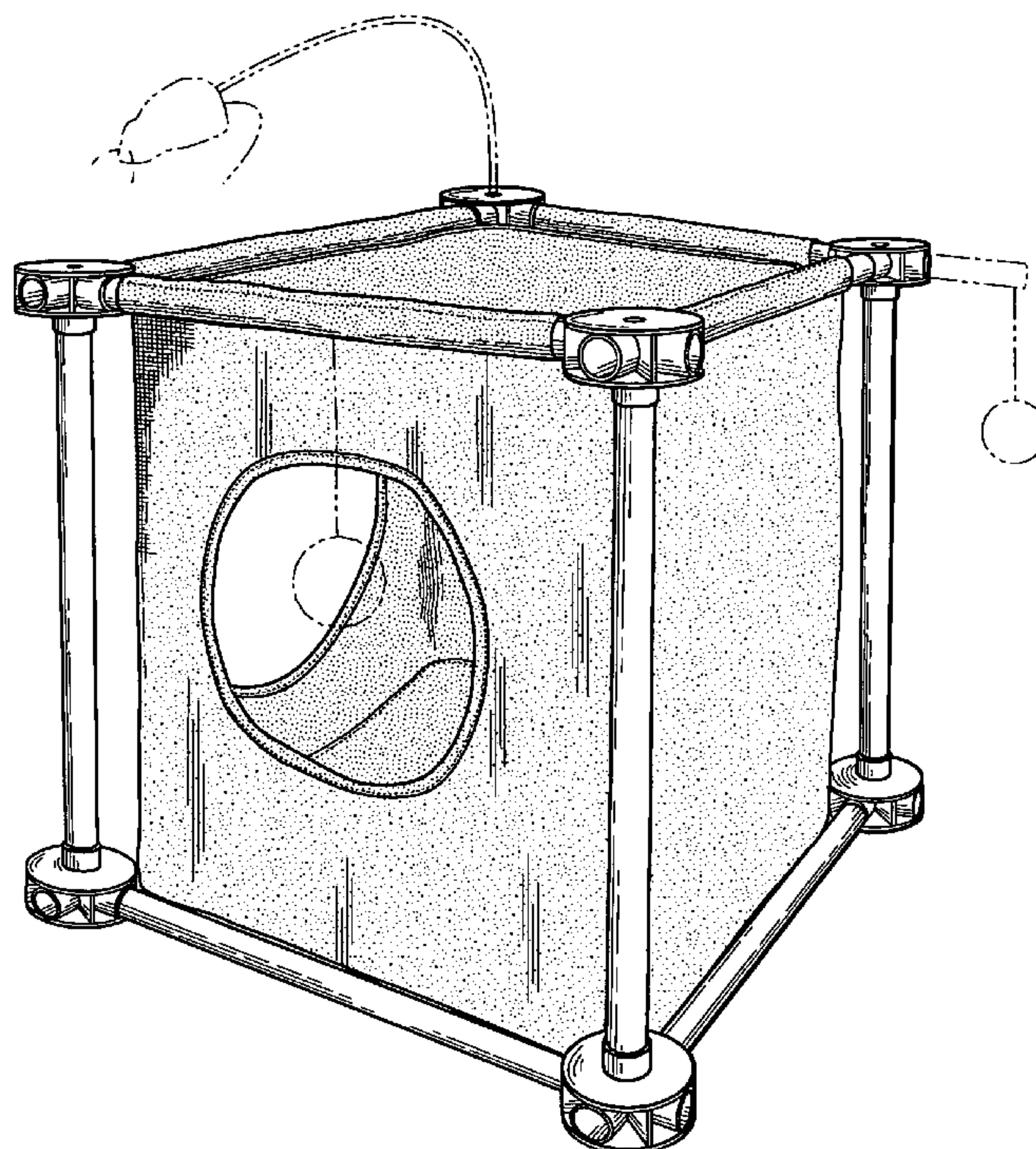
FIG. 5 is a right side elevation view thereof;

FIG. 6 is a top plan view thereof; and,

FIG. 7 is a bottom plan view thereof.

The broken line showing of the pet toys is included for the purpose of illustrating environmental structure and forms no part of the claimed design.

1 Claim, 4 Drawing Sheets



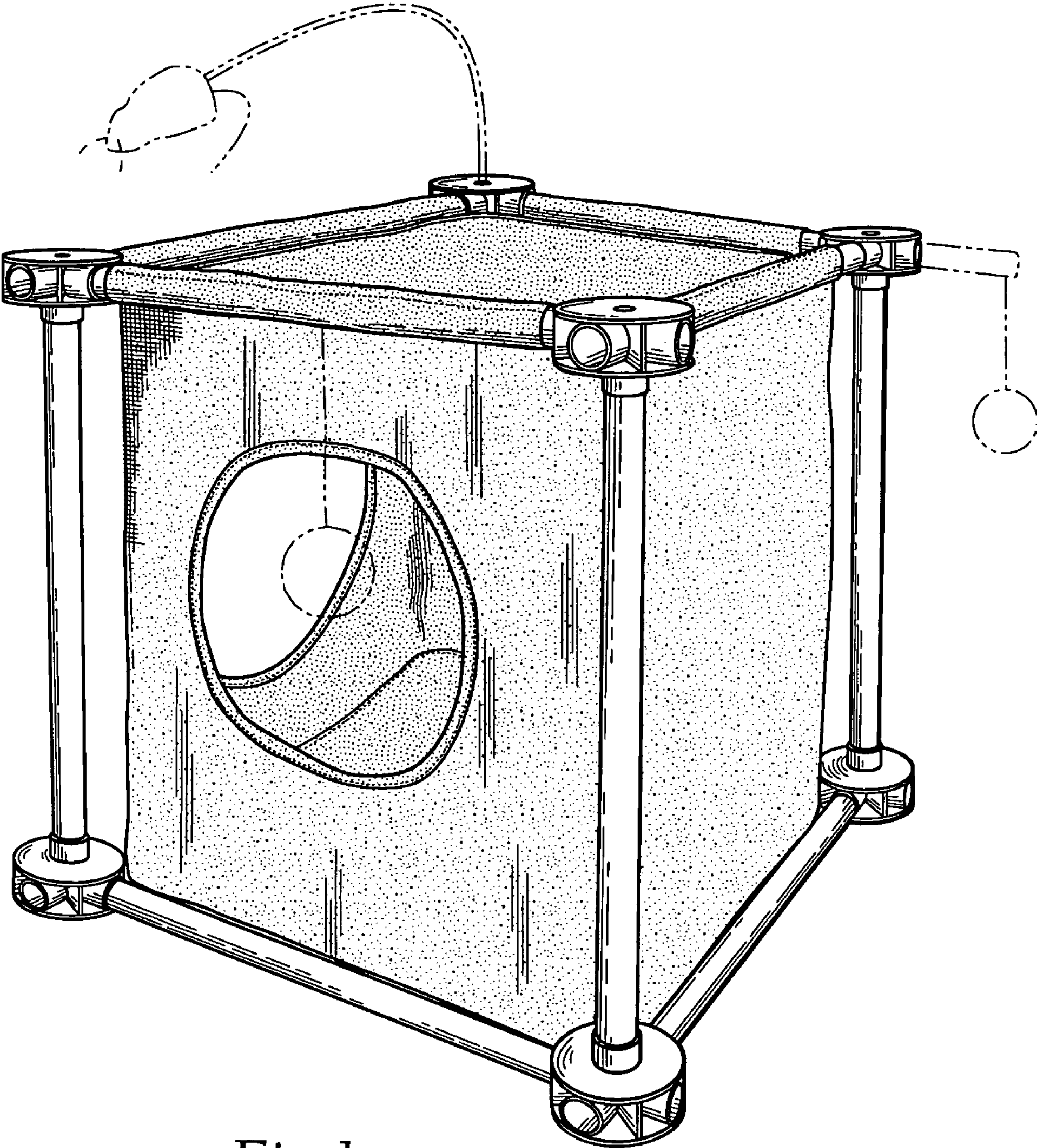


Fig. 1

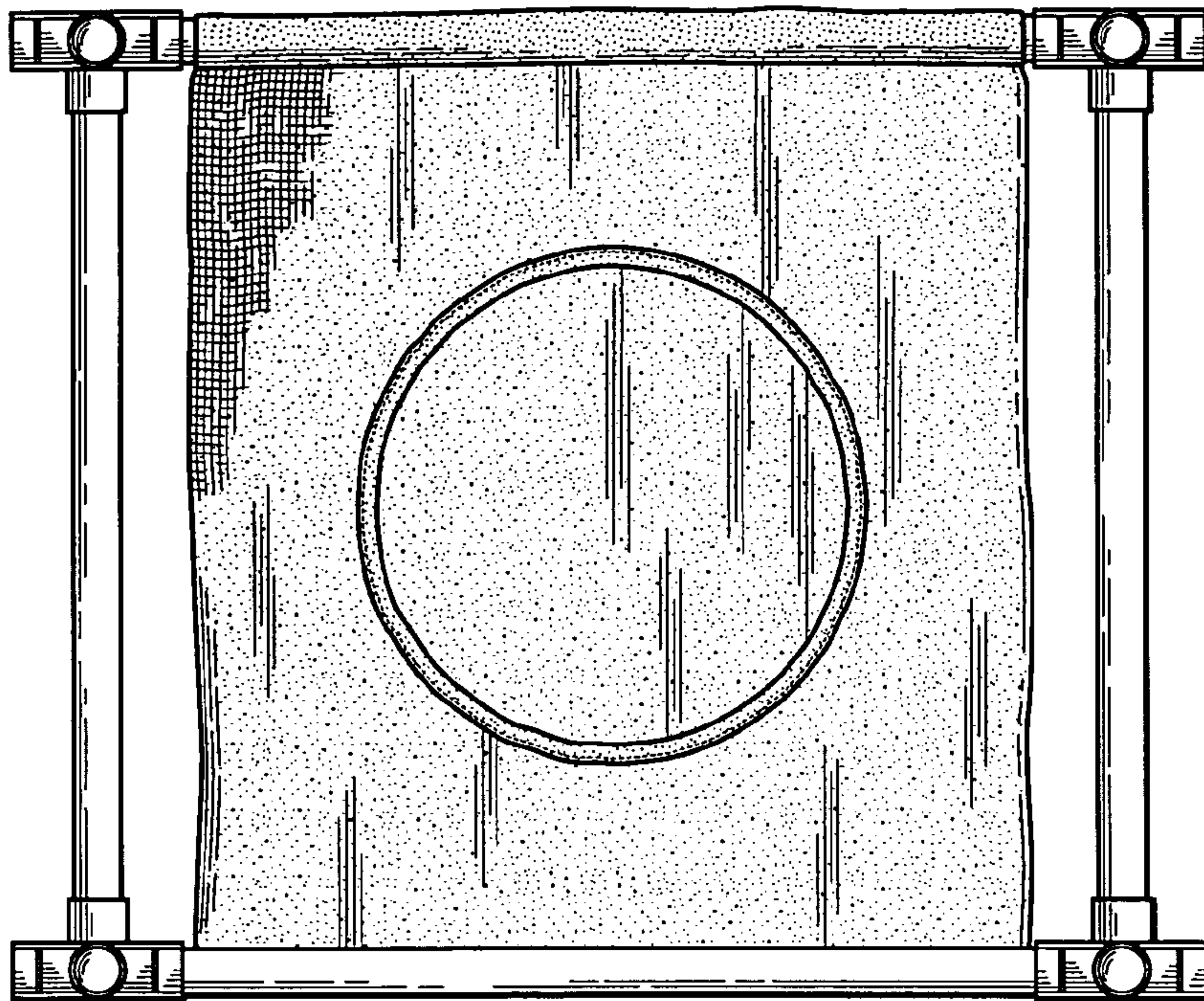


Fig. 2

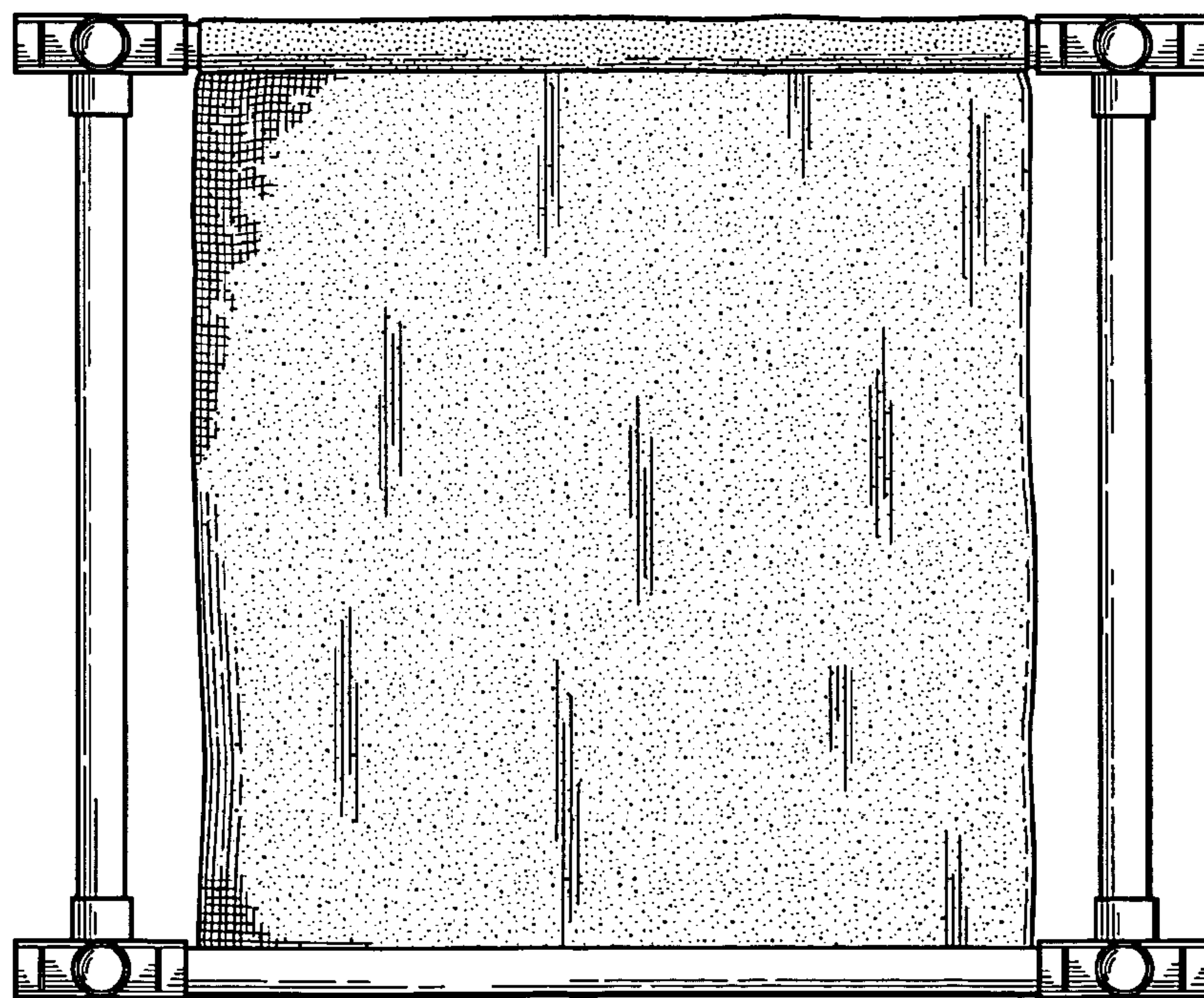


Fig. 3

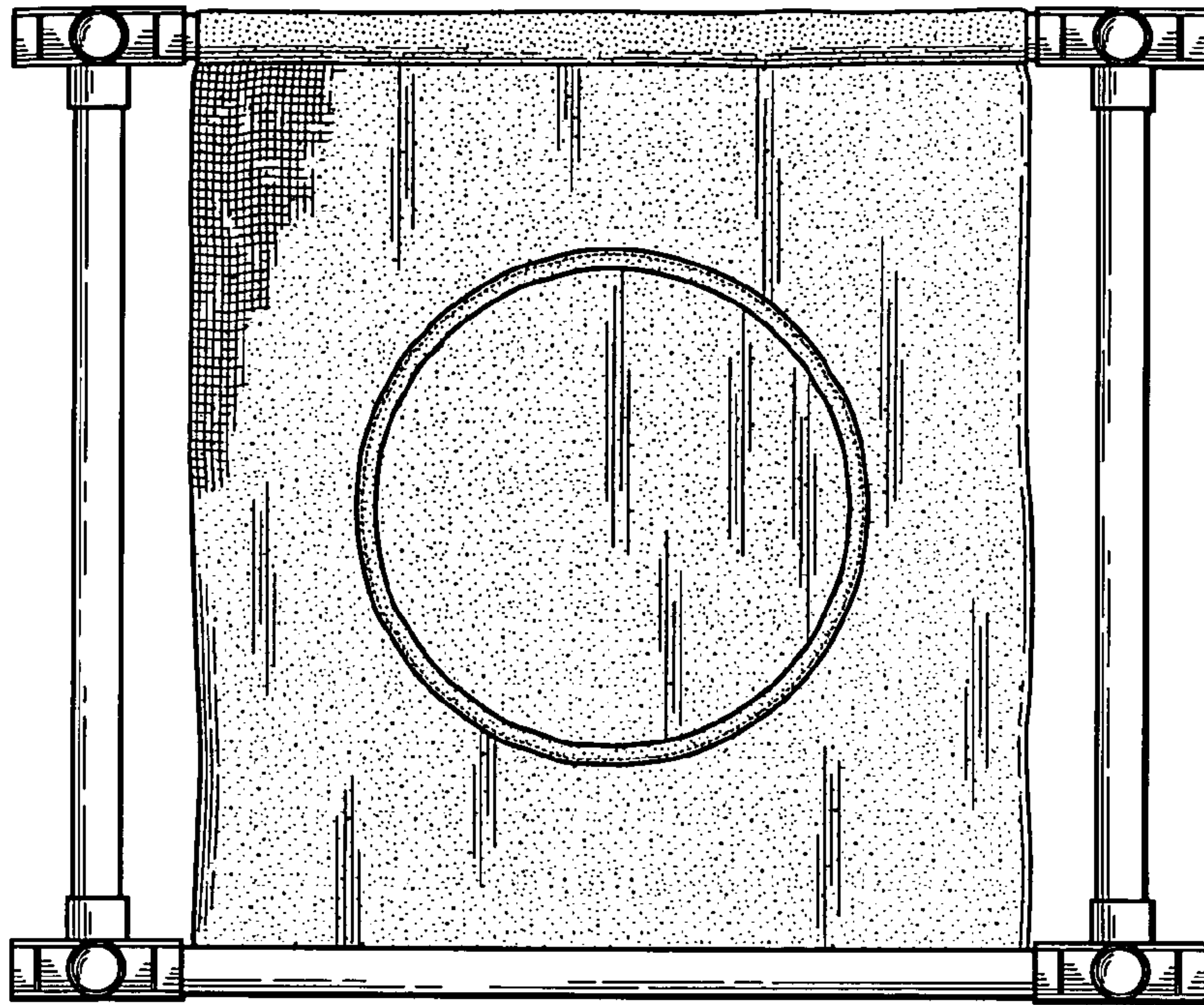


Fig. 4

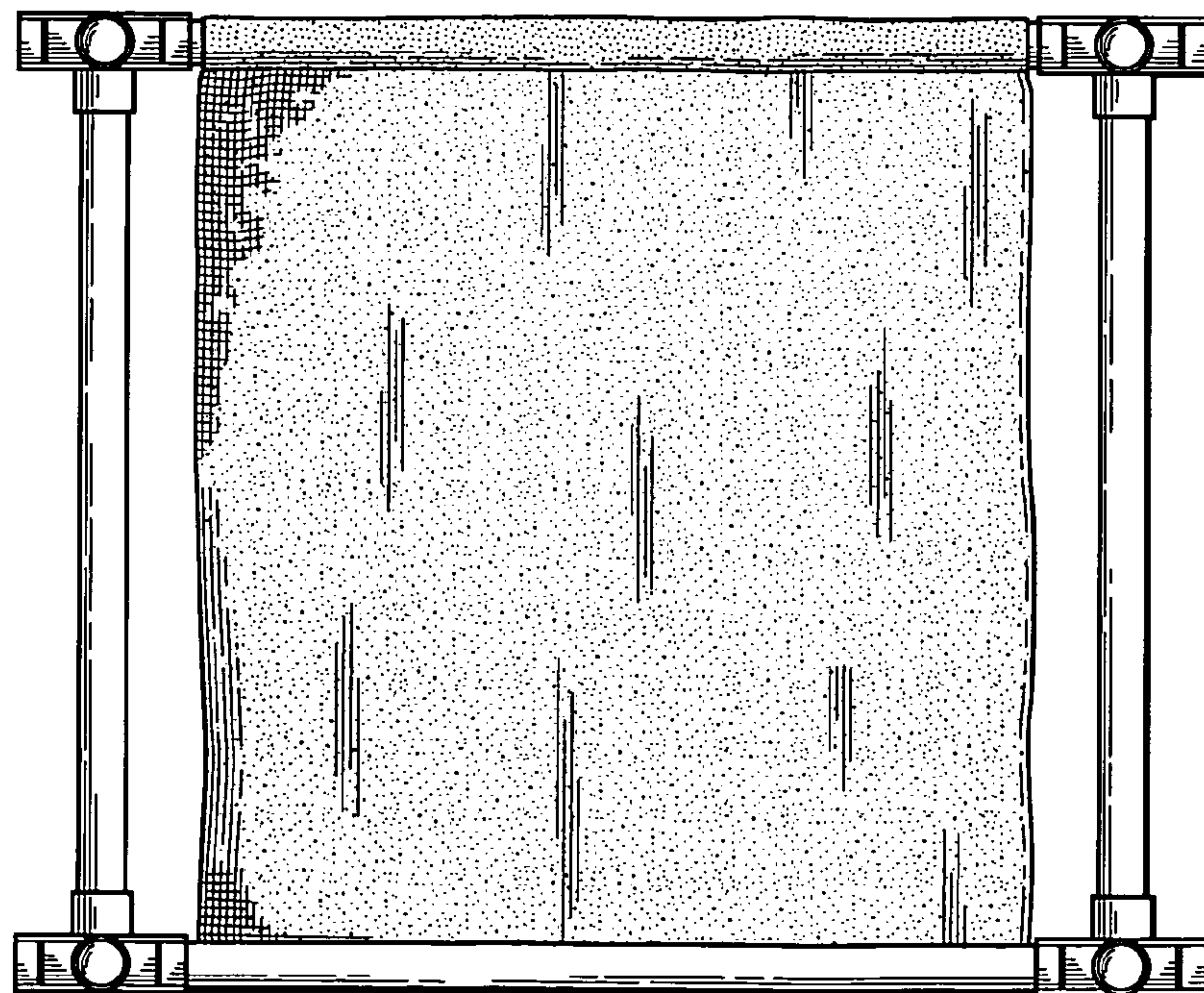


Fig. 5

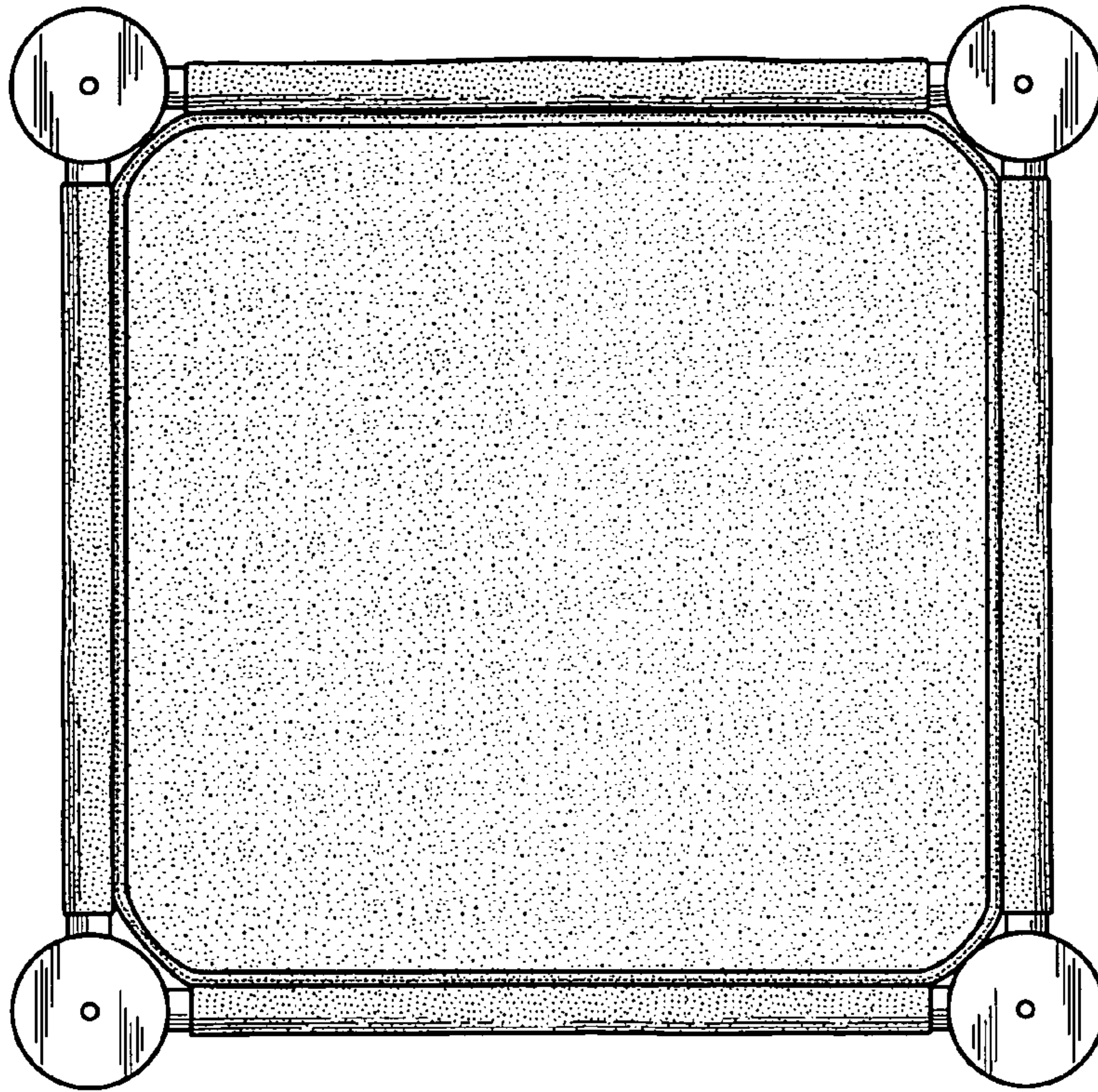


Fig. 6

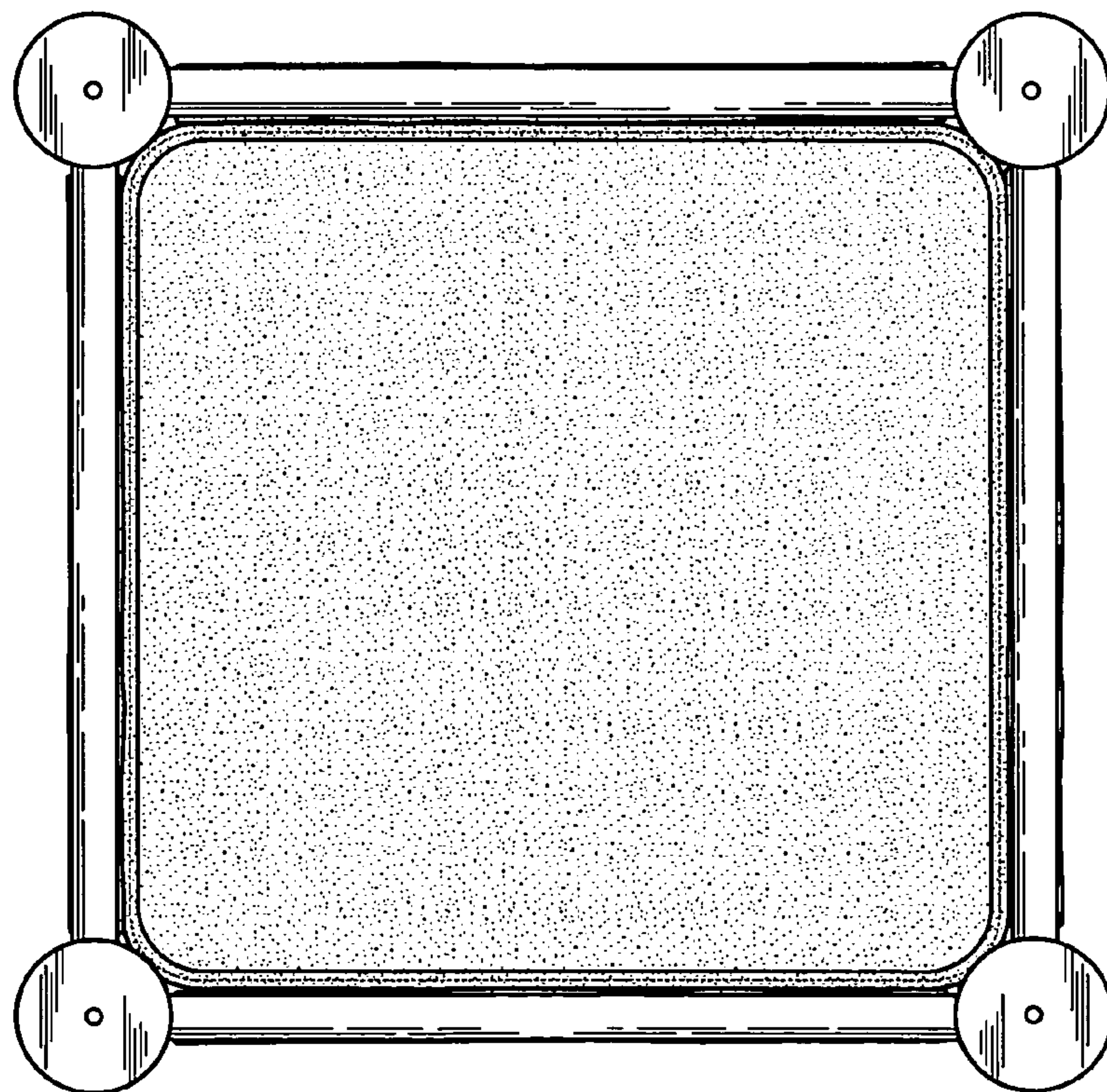


Fig. 7