



US00D612110S

(12) **United States Design Patent**
Kerns

(10) **Patent No.:** **US D612,110 S**
(45) **Date of Patent:** **** Mar. 16, 2010**

(54) **CATTLE HEAD RESTRAINT**

2009/0266308 A1* 10/2009 Kerns 119/734

(75) Inventor: **Russell W. Kerns**, Jane Lew, WV (US)

FOREIGN PATENT DOCUMENTS

(73) Assignee: **Black Hills Agricultural Equipment Inc.**, Spearfish, SD (US)

GB 814686 6/1959

* cited by examiner

(**) Term: **14 Years**

Primary Examiner—Susan Moon Lee

(74) *Attorney, Agent, or Firm*—Alvin T. Rockhill

(21) Appl. No.: **29/335,986**

(57) **CLAIM**

(22) Filed: **Apr. 27, 2009**

The ornamental design for a cattle head restraint, as shown and described.

(51) **LOC (9) Cl.** **30-04**

(52) **U.S. Cl.** **D30/151**

(58) **Field of Classification Search** D30/151,
D30/152, 144; 119/730–737, 752, 762, 766;
452/54

DESCRIPTION

See application file for complete search history.

FIG. 1 is a front perspective view of a cattle head restraint showing my new design which is mounted onto a head gate with a cow being restrained therein for illustrative purposes only.

(56) **References Cited**

U.S. PATENT DOCUMENTS

FIG. 2 is a front prospective view of the cattle head restraint.

FIG. 3 is a front view of the cattle head restraint.

FIG. 4 is a back view of the cattle head restraint.

FIG. 5 is a top view of the cattle head restraint.

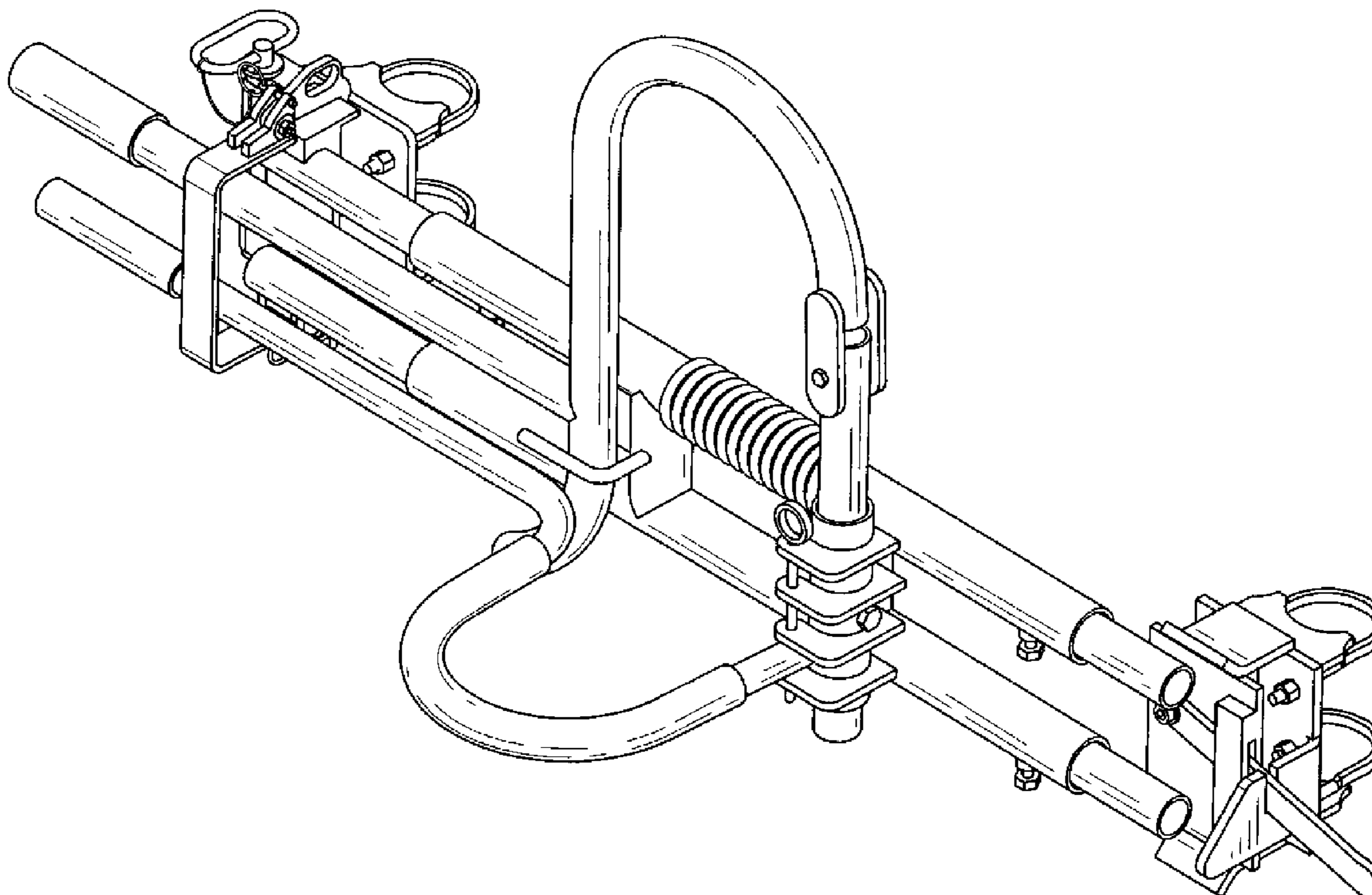
FIG. 6 is a bottom view of the cattle head restraint.

FIG. 7 is a left side view of the cattle head restraint; and,

FIG. 8 is a right side view of the cattle head restraint. The subject matter shown in broken lines, including the head gate and the cow, is for illustrative purposes only and does not constitute any part of the claimed design.

| | | | | |
|--------------|------|---------|----------------|---------|
| 1,572,982 | A * | 2/1926 | Barger et al. | 119/729 |
| 2,564,317 | A | 8/1951 | Whitworth | 119/733 |
| 3,572,295 | A * | 3/1971 | Tansel | 119/730 |
| 3,691,998 | A * | 9/1972 | Luinstra | 119/734 |
| 3,960,113 | A * | 6/1976 | Kratky | 119/723 |
| 4,116,166 | A * | 9/1978 | Gofflot | 119/730 |
| 4,702,200 | A * | 10/1987 | Simington | 119/734 |
| 5,065,701 | A * | 11/1991 | Punt | 119/729 |
| 5,645,016 | A | 7/1997 | Mahurin | 119/751 |
| 6,537,145 | B1 * | 3/2003 | Derouin et al. | 452/54 |
| 7,225,759 | B2 * | 6/2007 | Kerns | 119/732 |
| 2006/0169220 | A1 * | 8/2006 | Kerns | 119/732 |

1 Claim, 7 Drawing Sheets



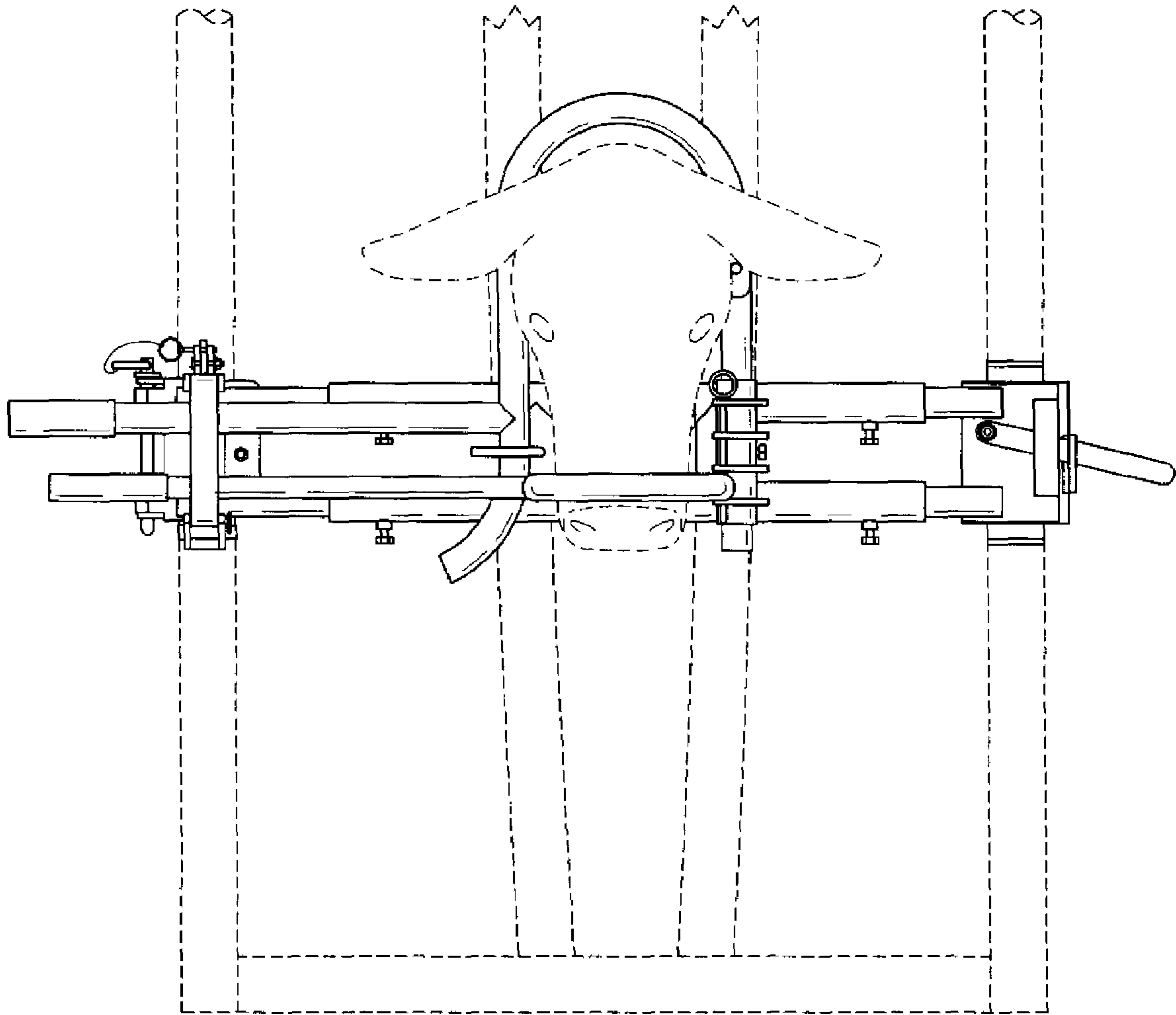


FIG-1

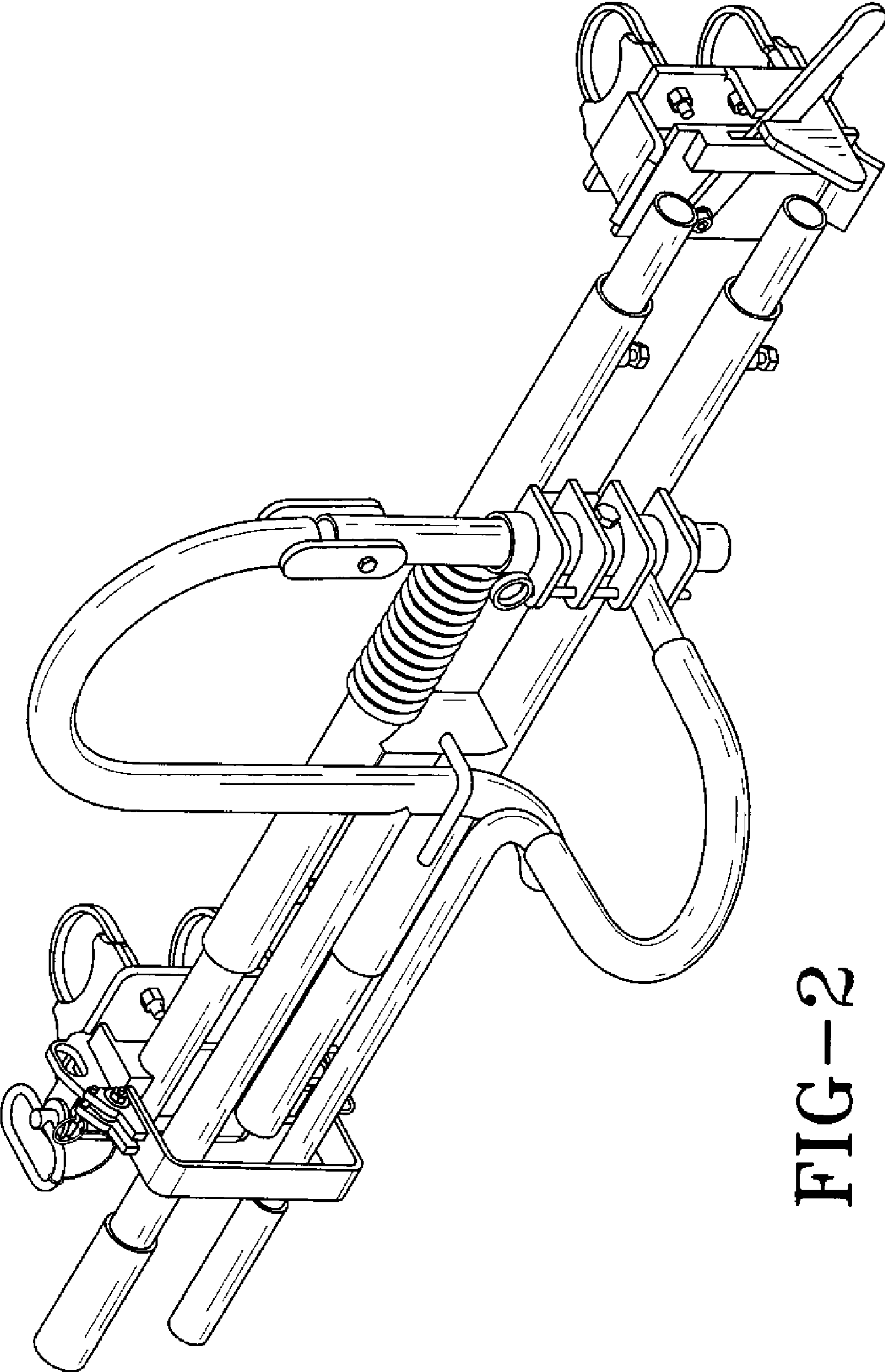


FIG-2

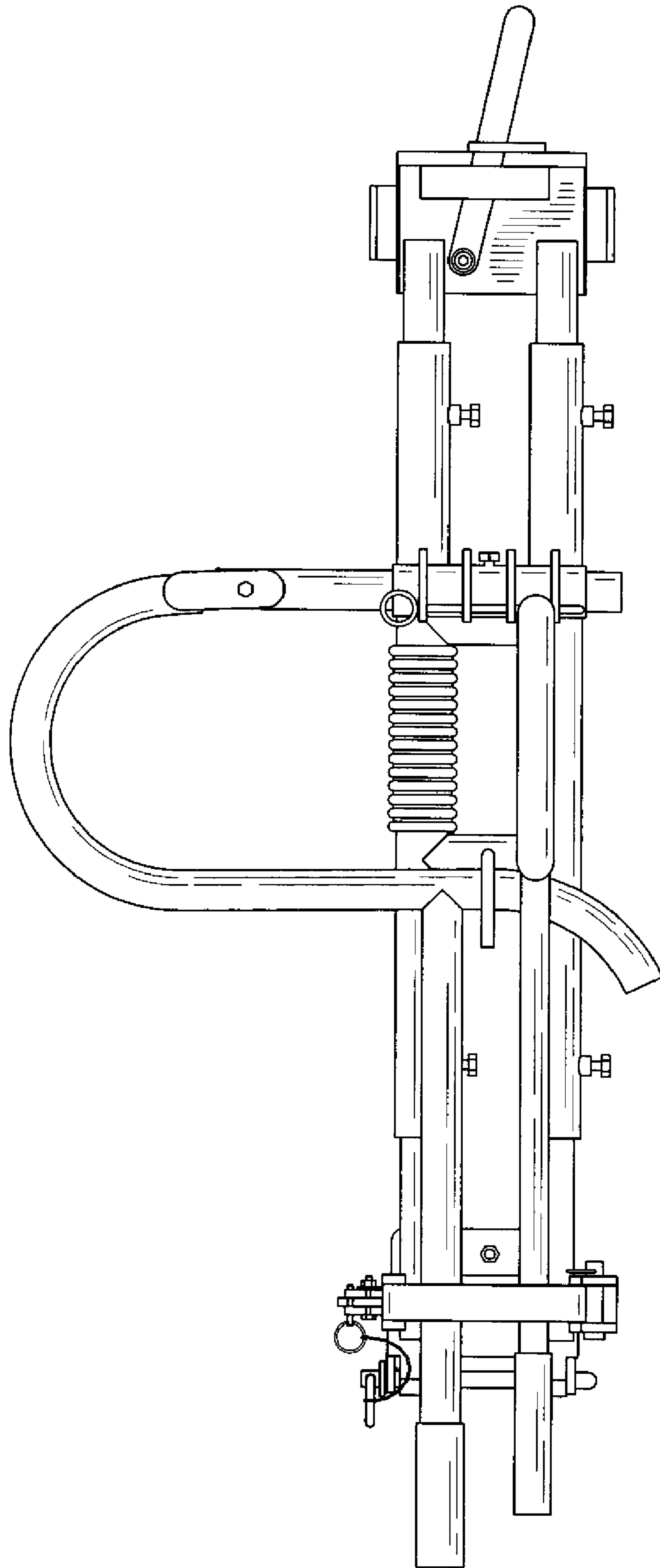


FIG-3

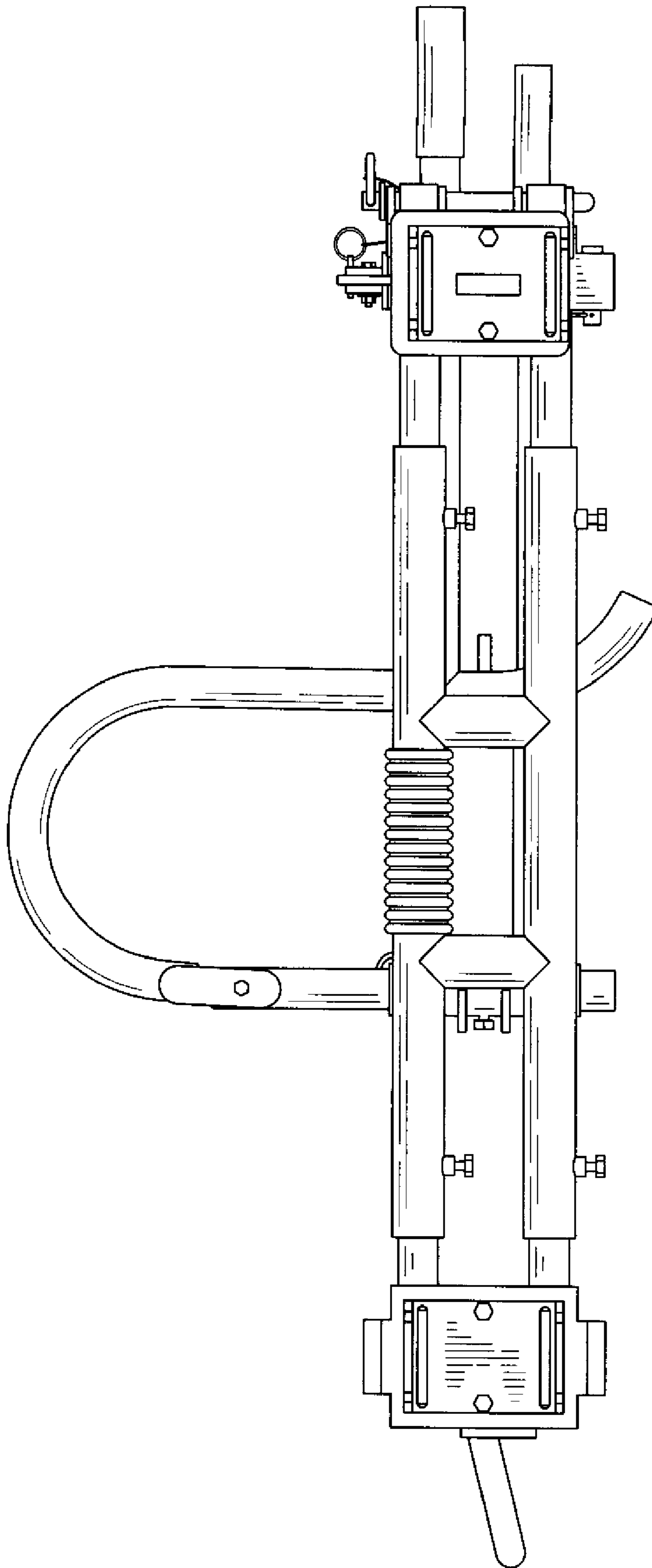


FIG-4

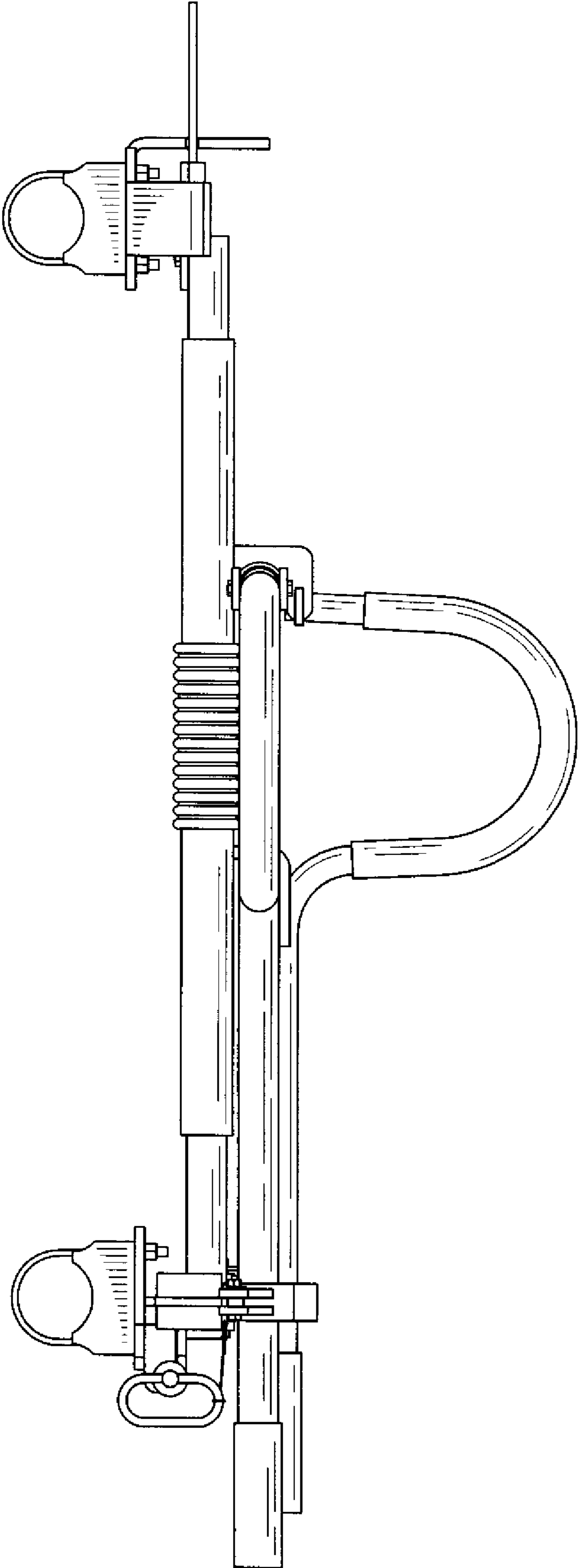


FIG-5

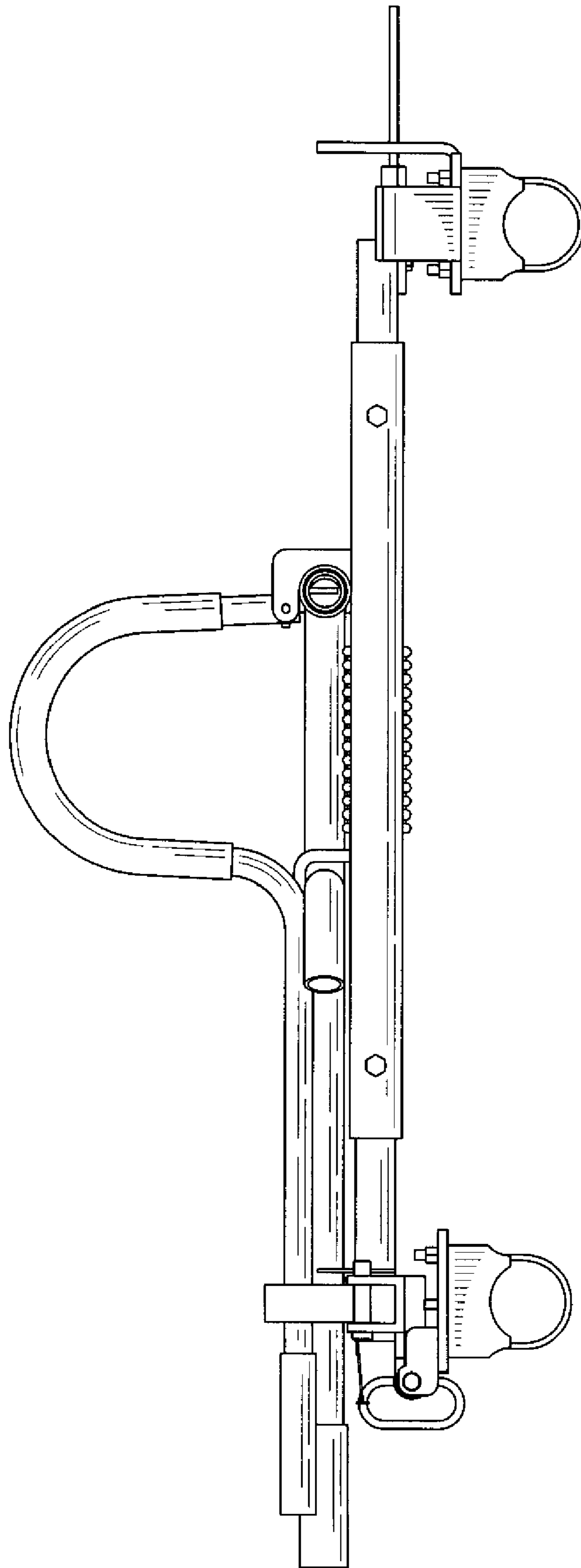


FIG-6

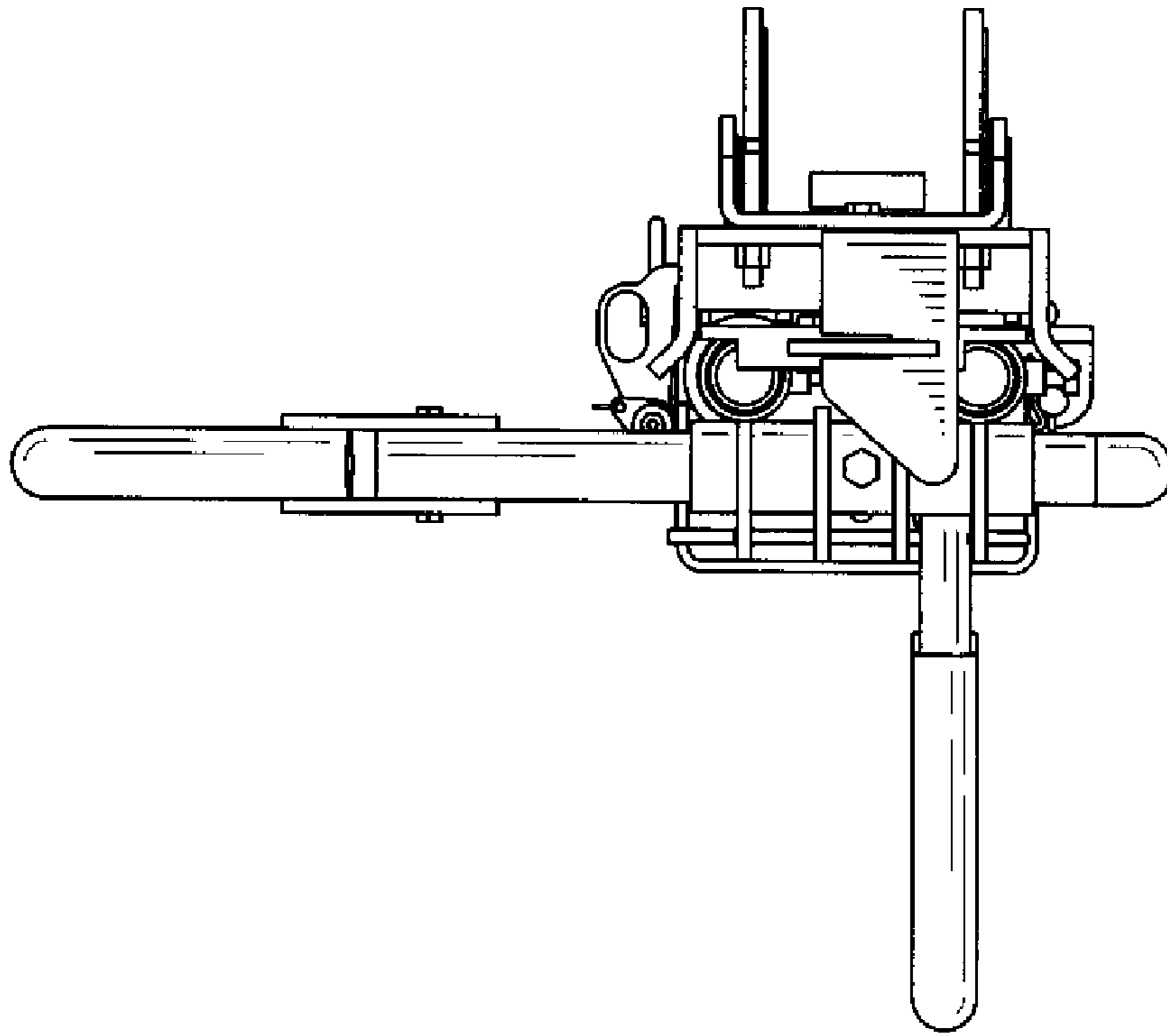


FIG-8

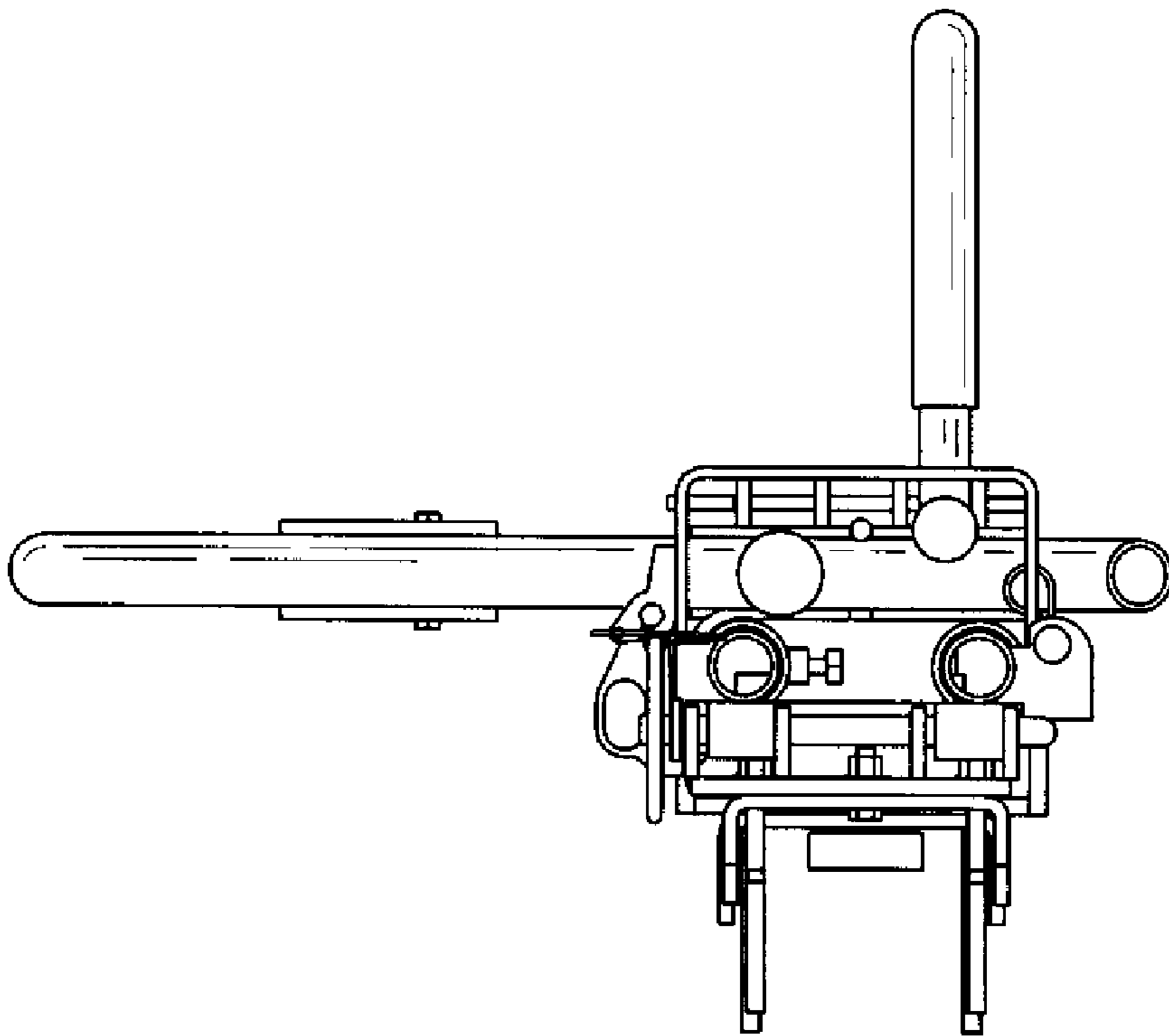


FIG-7