



US00D612108S

(12) **United States Design Patent**
Torres et al.

(10) **Patent No.:** **US D612,108 S**
(45) **Date of Patent:** **** Mar. 16, 2010**

(54) **FEED PORT FOR A BIRD FEEDER**

(75) Inventors: **Trisha A. Torres**, Rehoboth, MA (US);
Barry D. Colvin, Hope, RI (US)

(73) Assignee: **Aspects, Inc.**, Warren, RI (US)

(**) Term: **14 Years**

(21) Appl. No.: **29/322,849**

(22) Filed: **Aug. 13, 2008**

(51) **LOC (9) Cl.** **30-03**

(52) **U.S. Cl.** **D30/124; D30/199; D30/127**

(58) **Field of Classification Search** D30/121,
D30/124-128, 133, 110-112, 119, 199; 119/51.01,
119/52.2-52.4, 57.8, 57.9, 248, 77, 432,
119/462, 52.8, 428, 458, 459, 463, 72, 63,
119/464, 465, 468, 475, 51 R; 248/219.1,
248/222.11, 224.7, 229.1, 230.1, 689

See application file for complete search history.

(56) **References Cited**

U.S. PATENT DOCUMENTS

2,334,590	A *	11/1943	Spiro, Jr. et al.	119/464
3,568,641	A	3/1971	Kilham	
4,259,927	A	4/1981	Clarke	
4,829,934	A	5/1989	Blasbalg	
5,215,039	A	6/1993	Bescherer	
D352,575	S *	11/1994	Bransky et al.	D30/127
D367,134	S	2/1996	Bescherer	
5,826,540	A	10/1998	Bridges	
7,021,241	B2 *	4/2006	Nock	119/557.8
D523,184	S	6/2006	Colvin et al.	
D535,445	S *	1/2007	Obenshain	D30/121
D539,991	S *	4/2007	Petrie et al.	D30/127

7,370,607	B2 *	5/2008	O'Dell	119/52.3
7,516,716	B2 *	4/2009	Puckett et al.	119/432
2004/0231606	A1 *	11/2004	Nock	119/57.8
2006/0272585	A1 *	12/2006	O'Dell	119/57.8
2007/0227453	A1 *	10/2007	Puckett et al.	119/57.8
2008/0296453	A1 *	12/2008	Bonnema	248/229.24

* cited by examiner

Primary Examiner—Susan Moon Lee

(74) *Attorney, Agent, or Firm*—Barlow, Josephs & Holmes, Ltd.

(57) **CLAIM**

The ornamental design for a feed port for a bird feeder, as shown and described.

DESCRIPTION

FIG. 1 is a front perspective view of a feed port for a bird feeder showing our new design, the attachment structure and center post being shown in broken lines and forming no part of the claim.

FIG. 2 is a rear perspective view thereof;

FIG. 3 is a front view thereof;

FIG. 4 is a rear view thereof;

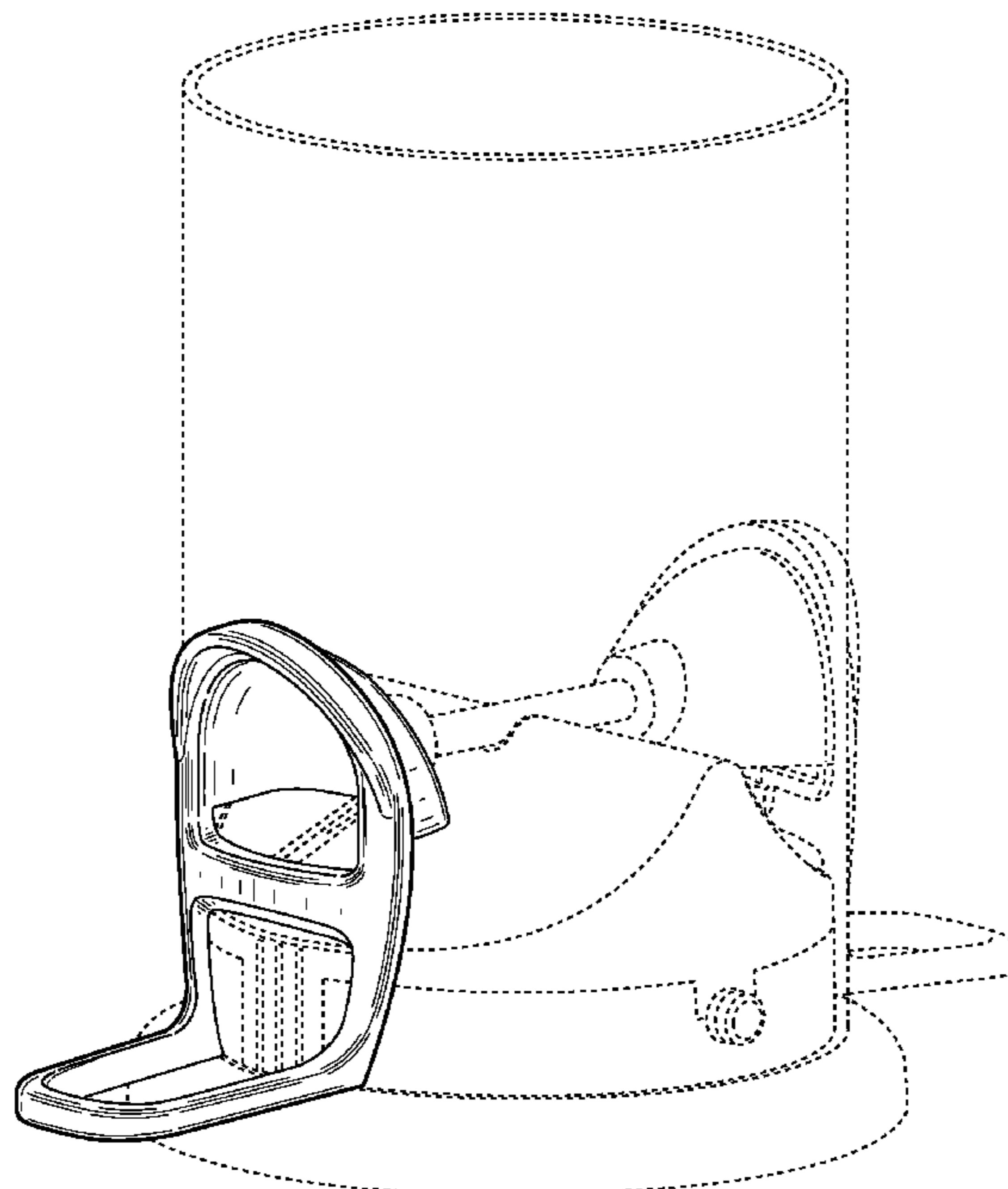
FIG. 5 is a top view thereof;

FIG. 6 is a bottom view thereof;

FIG. 7 is a left side view thereof, it being understood that the right side view is the mirror image of the left side view; and,

FIG. 8 is a front perspective view of the feed port for a bird feeder shown illustratively mounted within a bird feeder with the bird feeder and reciprocal feed port shown in broken lines and forming no part of the claim.

1 Claim, 8 Drawing Sheets



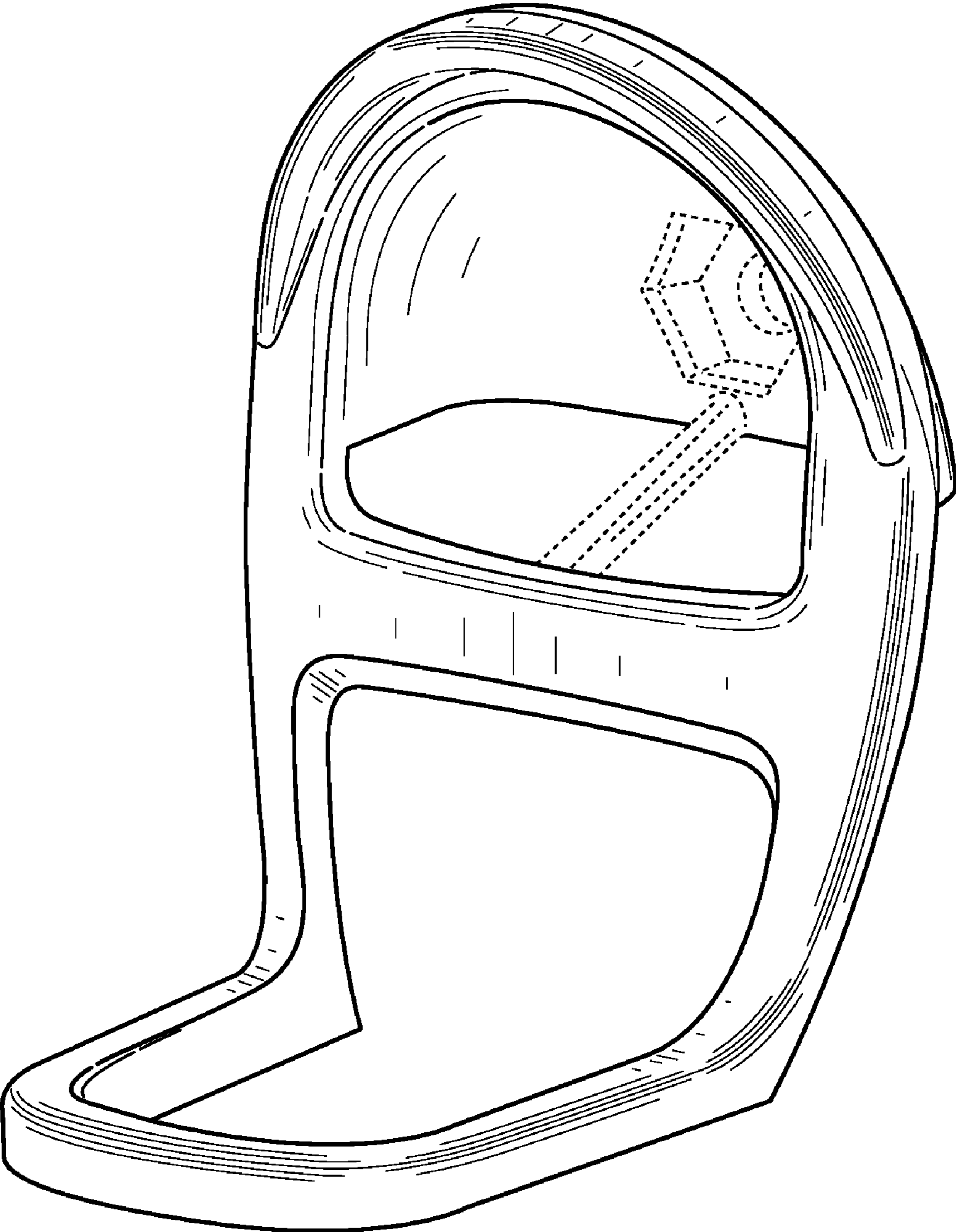


FIG. 1

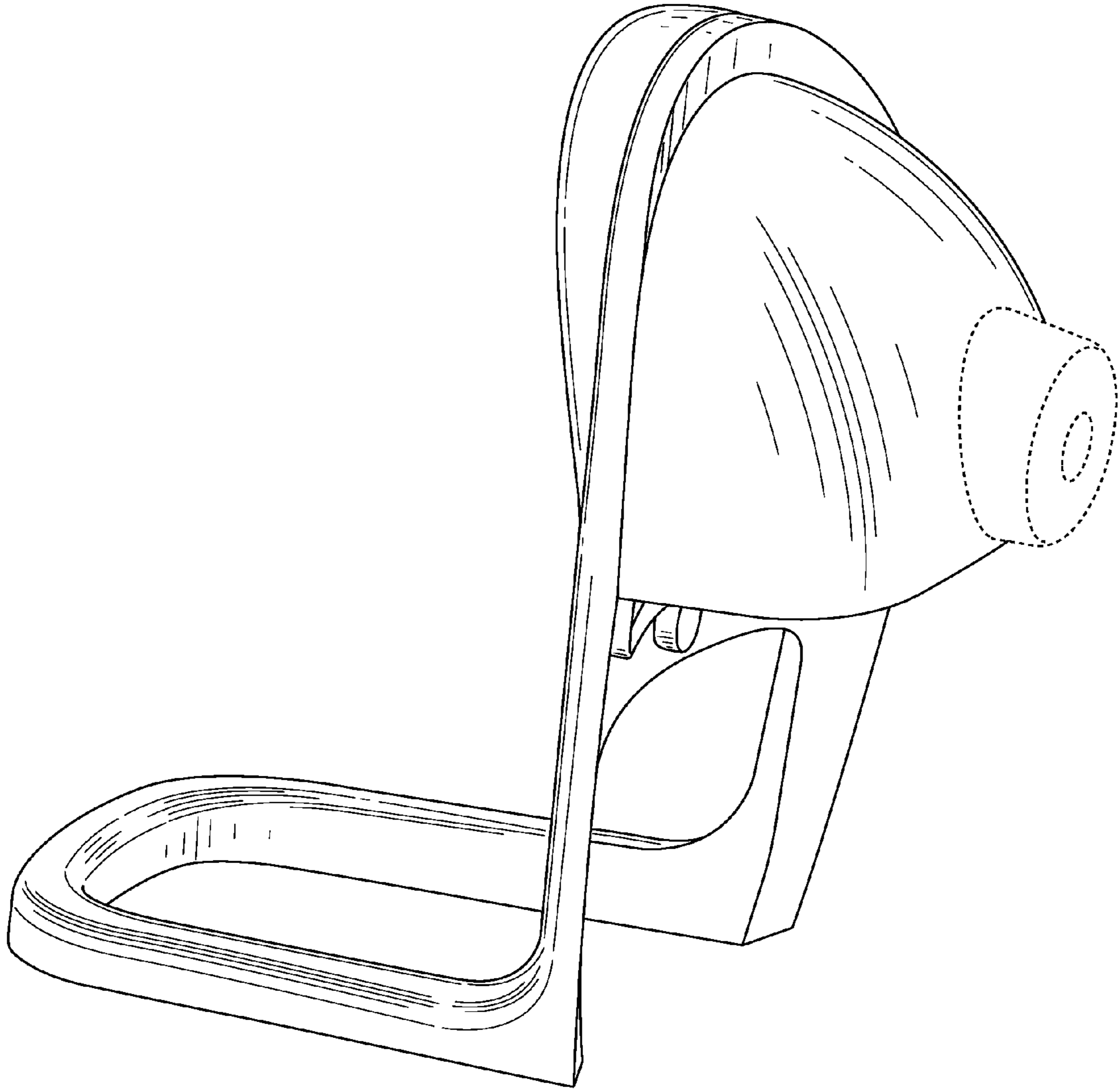


FIG. 2

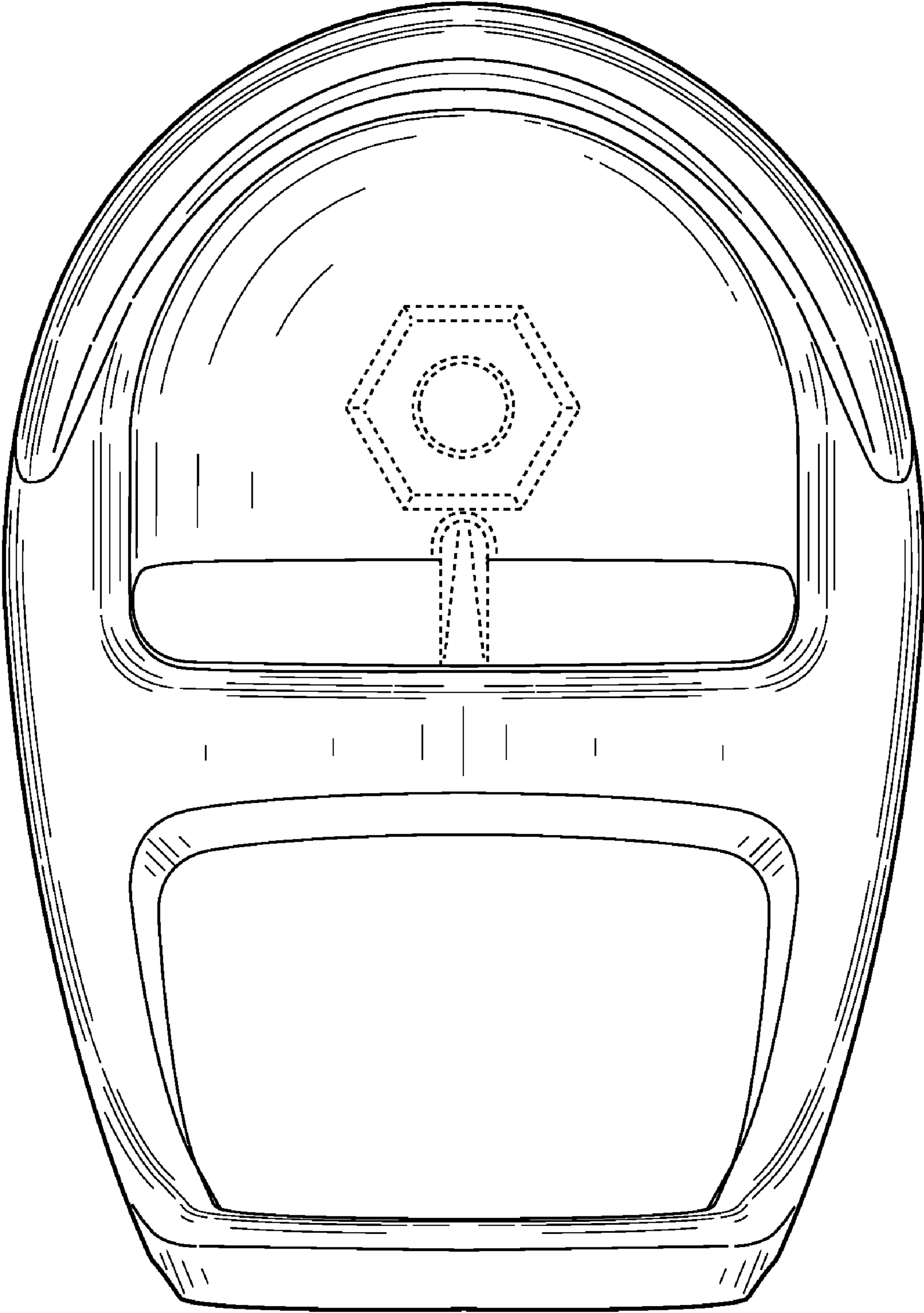


FIG. 3

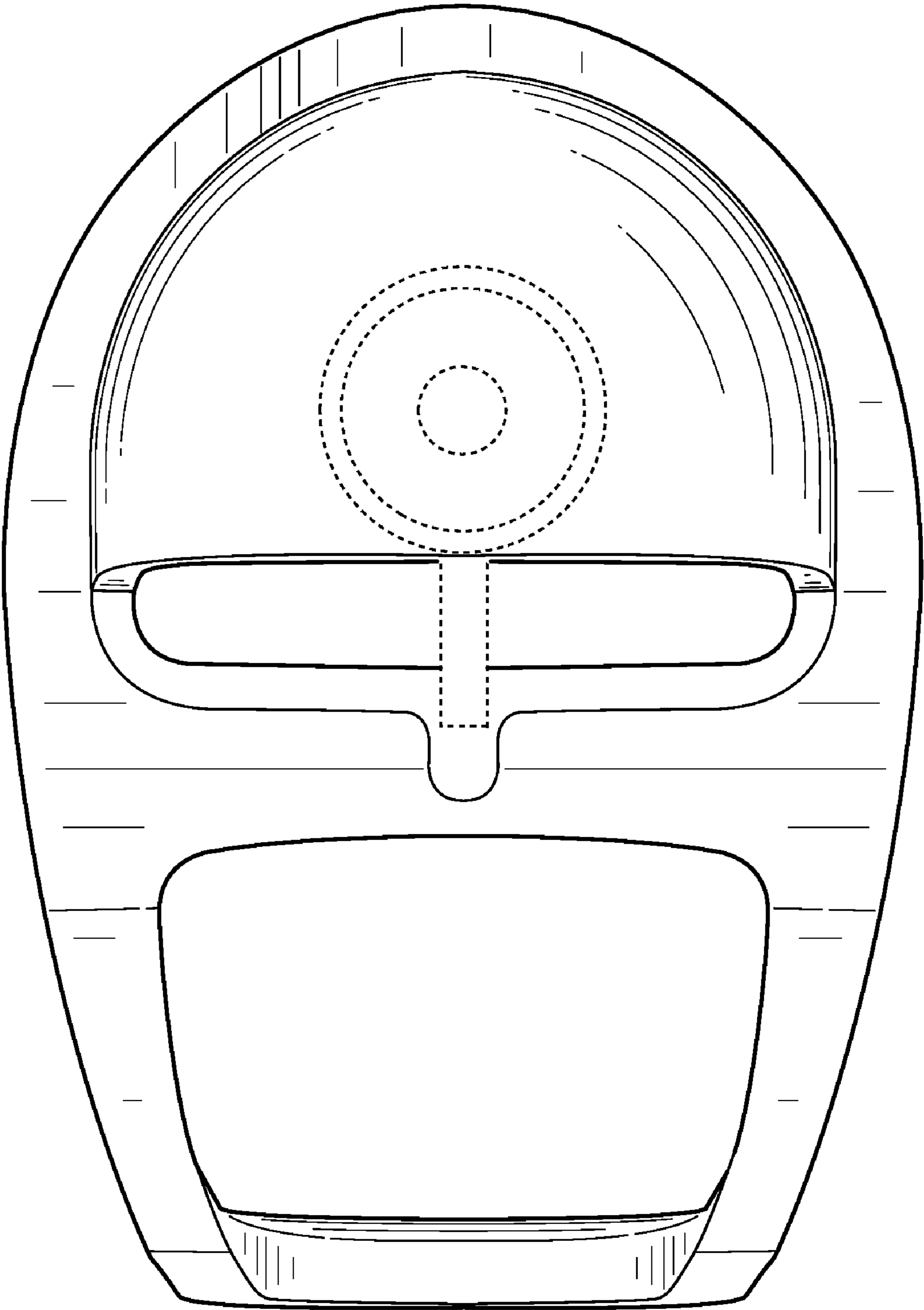


FIG. 4

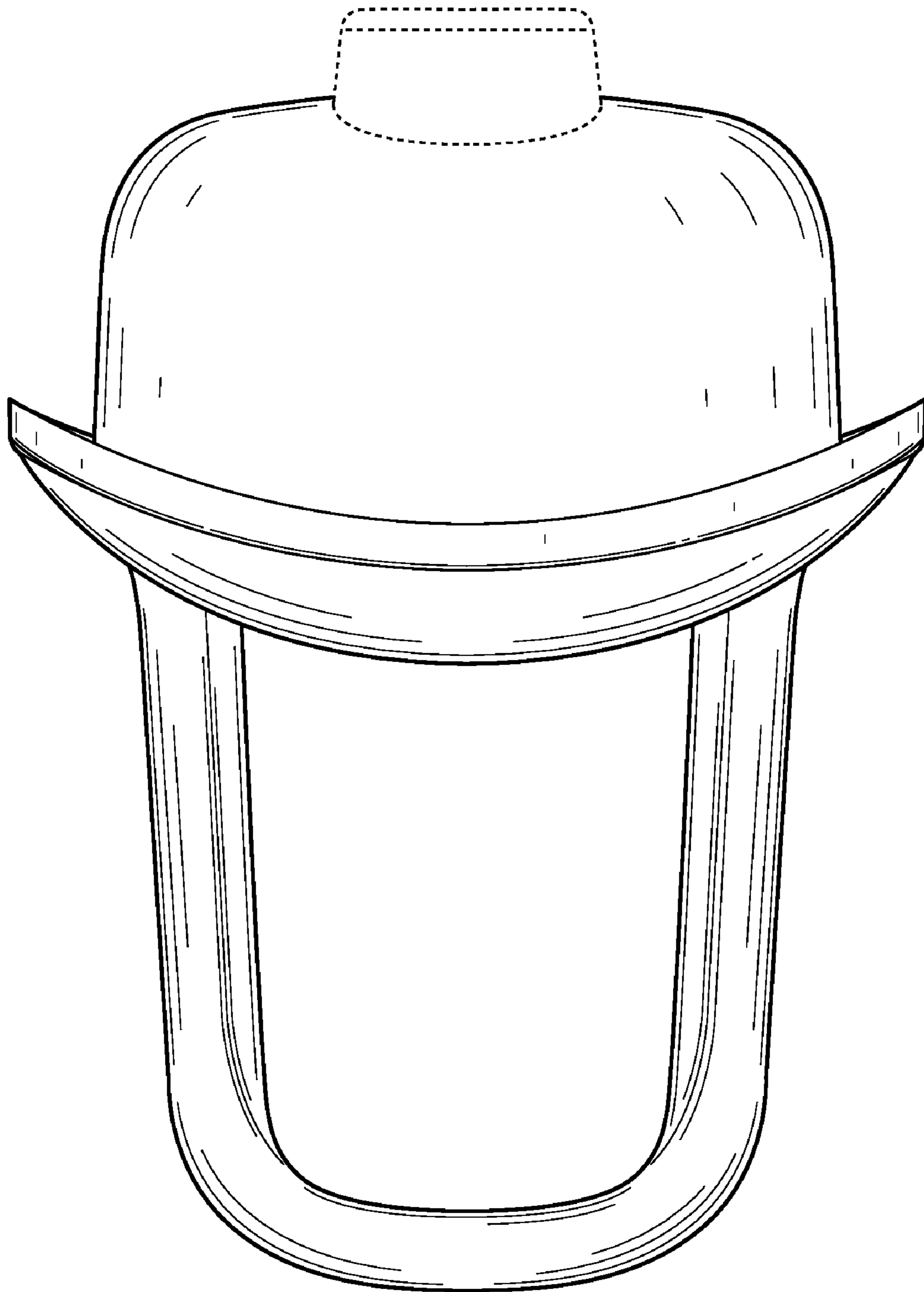


FIG. 5

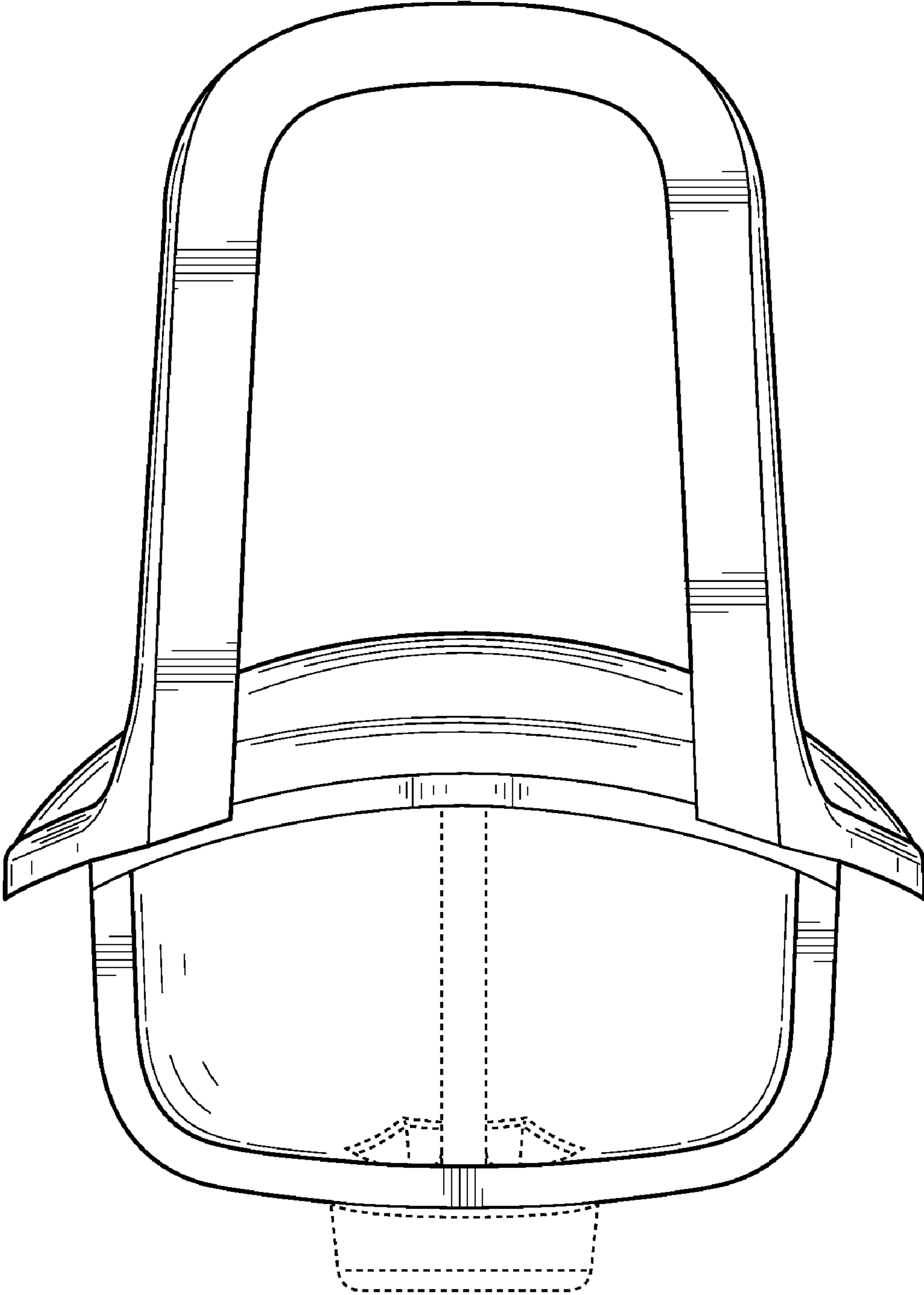


FIG. 6

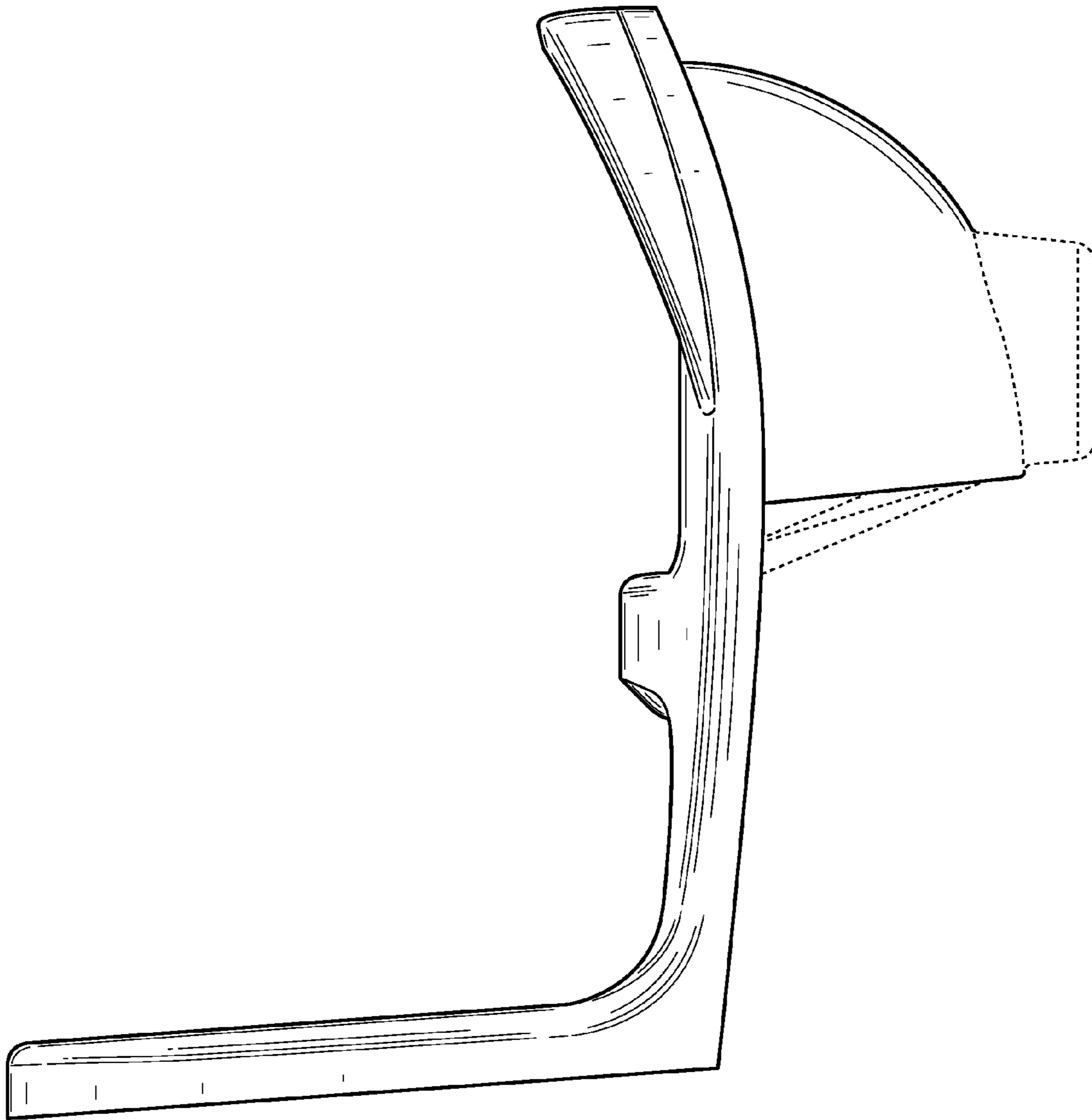


FIG. 7

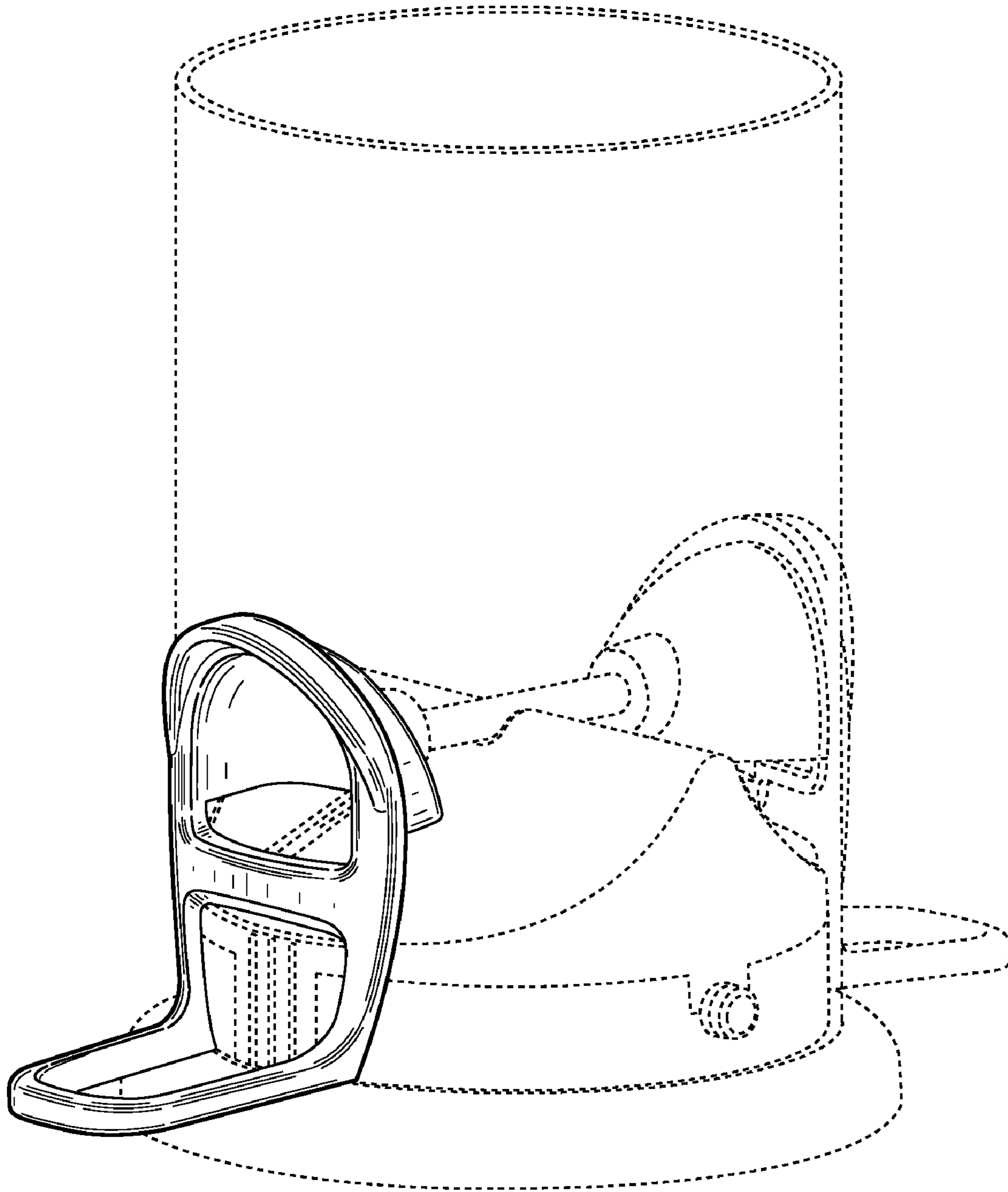


FIG. 8