



US00D612107S

(12) **United States Design Patent**
Gardner

(10) **Patent No.:** **US D612,107 S**
(45) **Date of Patent:** **** Mar. 16, 2010**

(54) **COMBINED HANGER AND COVER FOR A BIRD FEEDER**

(75) Inventor: **Stewart C. Gardner**, P.O. Box 332, Mansfield, MA (US) 02048

(73) Assignee: **Stewart C. Gardner**, Mansfield, MA (US)

(**) Term: **14 Years**

(21) Appl. No.: **29/301,356**

(22) Filed: **May 14, 2008**

(51) **LOC (9) Cl.** **30-03**

(52) **U.S. Cl.** **D30/124**

(58) **Field of Classification Search** D30/121, D30/124-128, 110, 115, 117, 119; 119/51.01, 119/57.8, 53, 428, 429, 469
See application file for complete search history.

(56) **References Cited**

U.S. PATENT DOCUMENTS

479,549	A *	7/1892	Botsford	119/77
1,108,277	A *	8/1914	Thale	449/10
1,372,946	A *	3/1921	Erickson	119/77
1,397,627	A *	11/1921	Flitcraft	119/77
1,450,494	A *	4/1923	Eummelen	119/464
1,627,140	A *	5/1927	Bindemann	119/77
1,718,432	A *	6/1929	Qualmann	119/464
2,267,883	A *	12/1941	Wood	119/77
2,573,802	A *	11/1951	Mitchell	119/77
D222,481	S *	10/1971	Rakowski	D30/128
4,691,665	A *	9/1987	Hefner	119/77
4,889,075	A *	12/1989	Byrns	119/435
D331,647	S *	12/1992	Embree	D30/124
5,307,760	A *	5/1994	Madigan et al.	119/52.3
D357,458	S *	4/1995	Tisbo	D13/118
5,423,291	A *	6/1995	Daugherty	119/77

5,479,879	A *	1/1996	Biek	119/52.2
D378,057	S *	2/1997	Dikowitz	D9/418
D392,428	S *	3/1998	Atchley	D30/121
6,021,896	A *	2/2000	Marshall	206/315.9
D441,505	S *	5/2001	Nylen	D30/124
6,578,518	B1 *	6/2003	Conforti	119/57.8
6,648,132	B1 *	11/2003	Smouha	206/6.1
2008/0257273	A1 *	10/2008	Carter et al.	119/72

* cited by examiner

Primary Examiner—Susan Moon Lee

(57) **CLAIM**

I claim the ornamental design for a combined hanger and cover for a bird feeder, as shown.

DESCRIPTION

FIG. 1 is a front view of the combined hanger and cover for a bird feeder;

FIG. 2 is a side view of the hanger and cover from a first side;

FIG. 3 is a side view of the hanger and cover from a second side;

FIG. 4 is a back view of the hanger and cover;

FIG. 5 is a top view of the hanger and cover;

FIG. 6 is a perspective side view of the hanger and cover from the top;

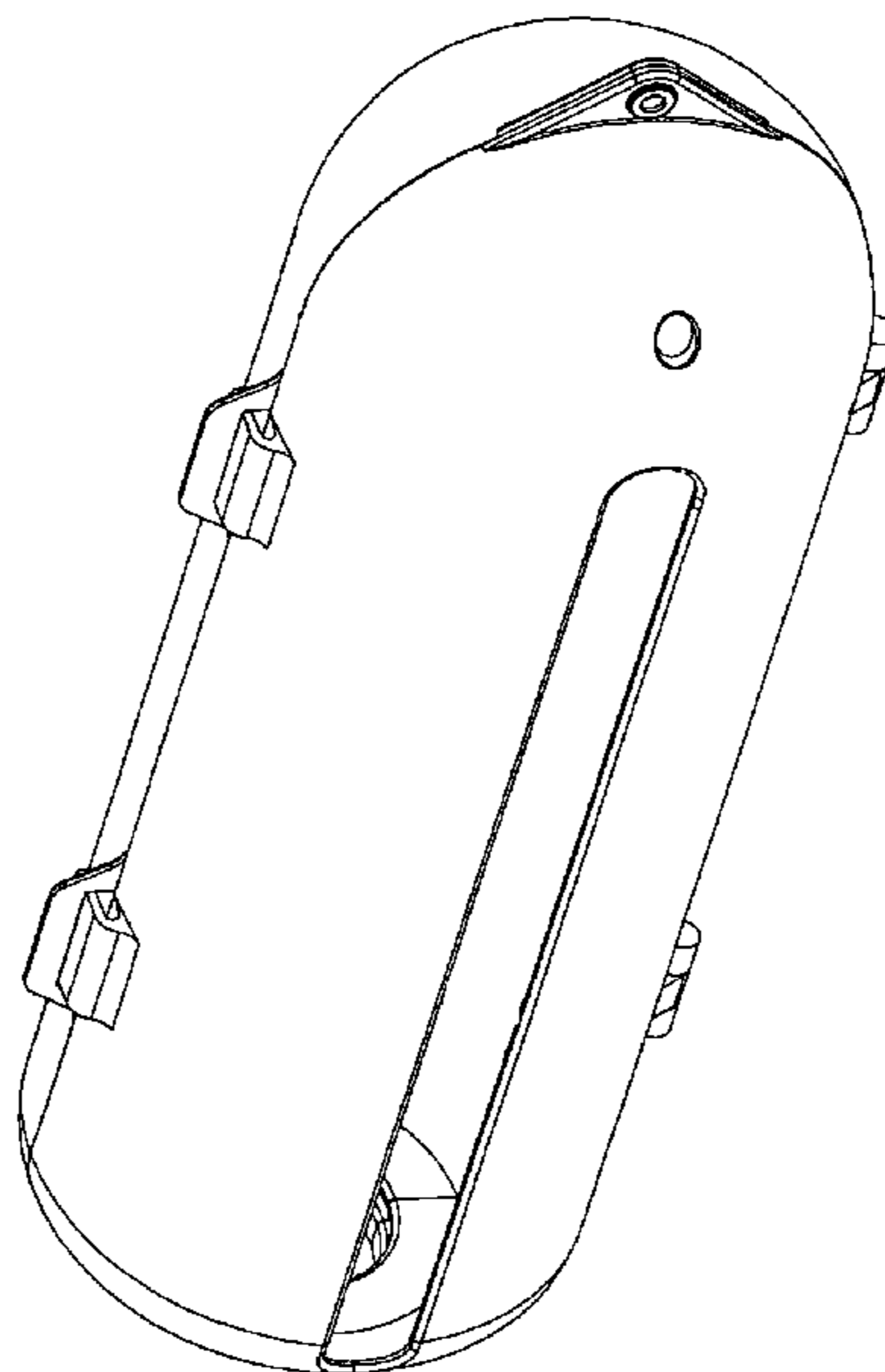
FIG. 7 is a bottom view of the hanger and cover;

FIG. 8 is a perspective front view of the hanger and cover from the bottom;

FIG. 9 is a cross-sectional view inside the hanger and cover from the front to the back; and,

FIG. 10 is a cross-sectional view inside the hanger and cover from the back to the front.

1 Claim, 10 Drawing Sheets



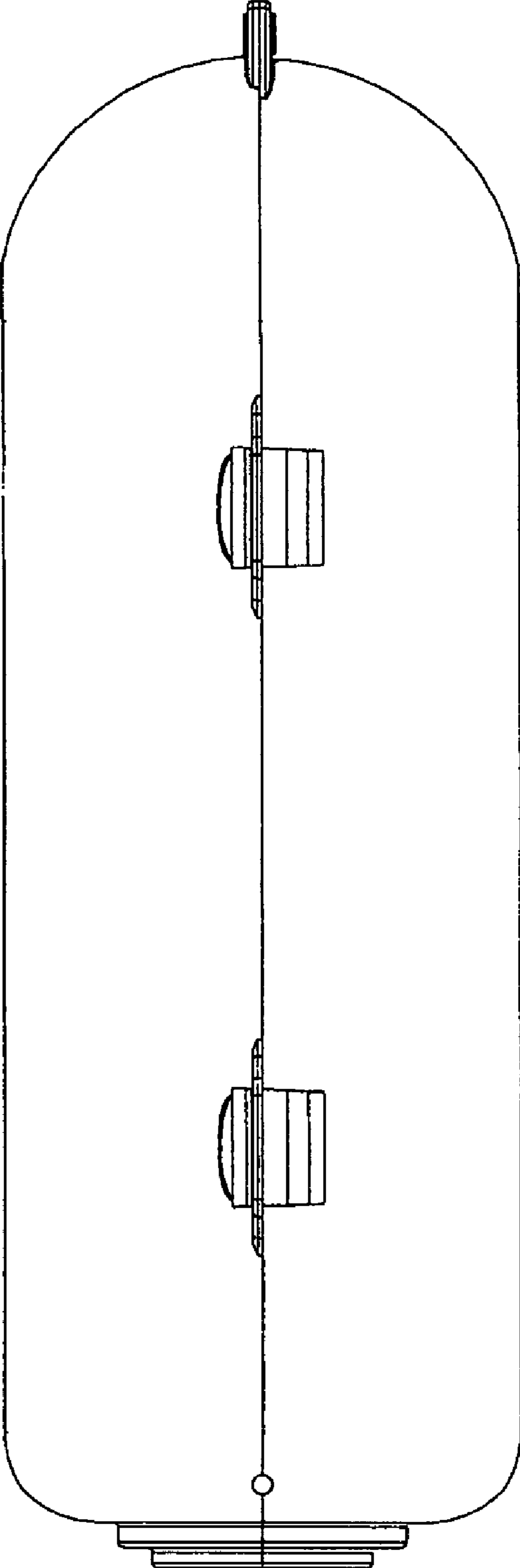


FIG. 1

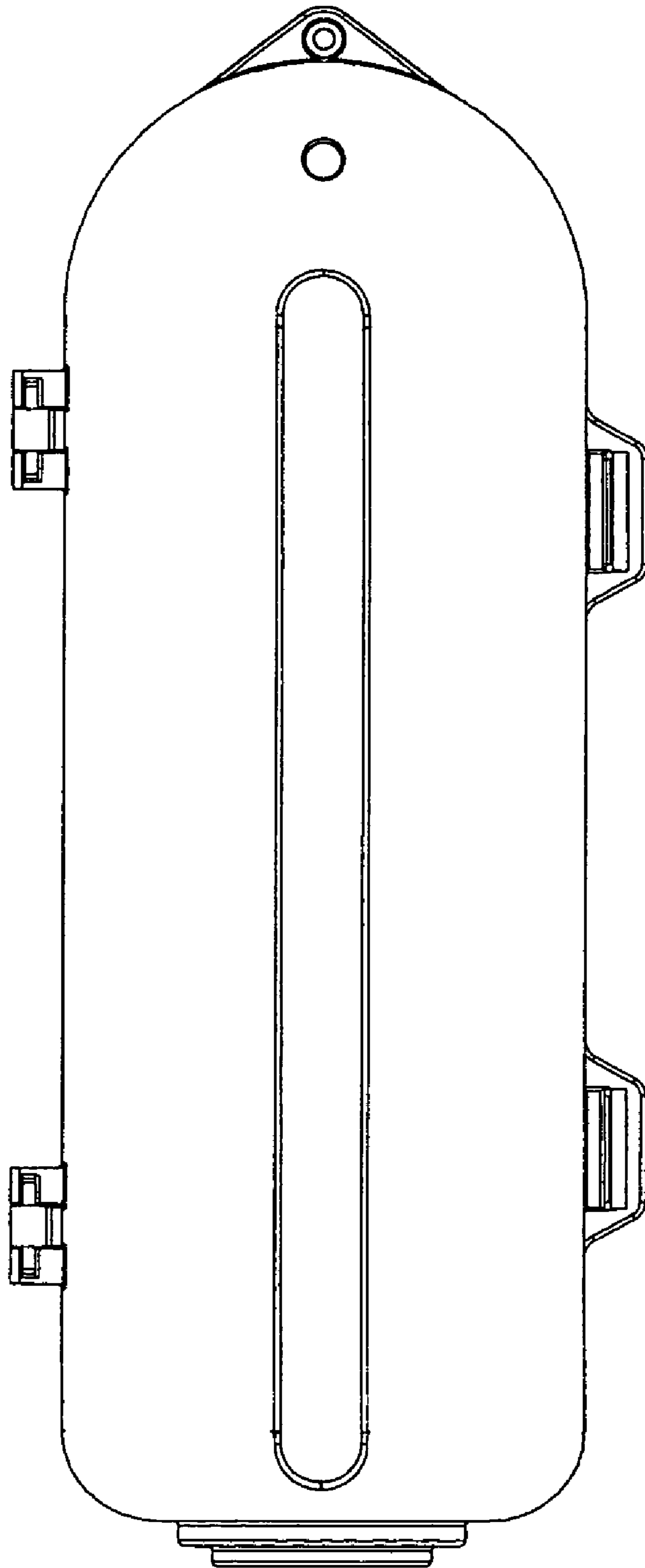


FIG. 2

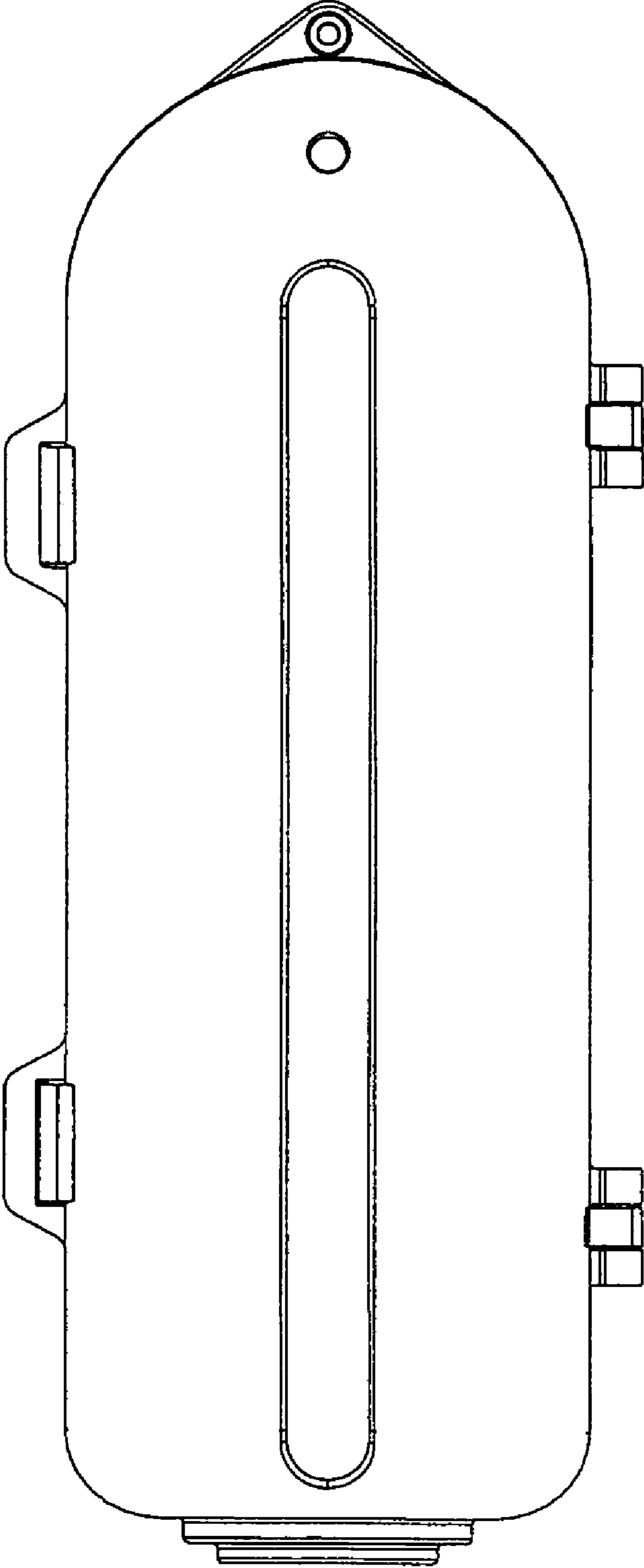


FIG. 3

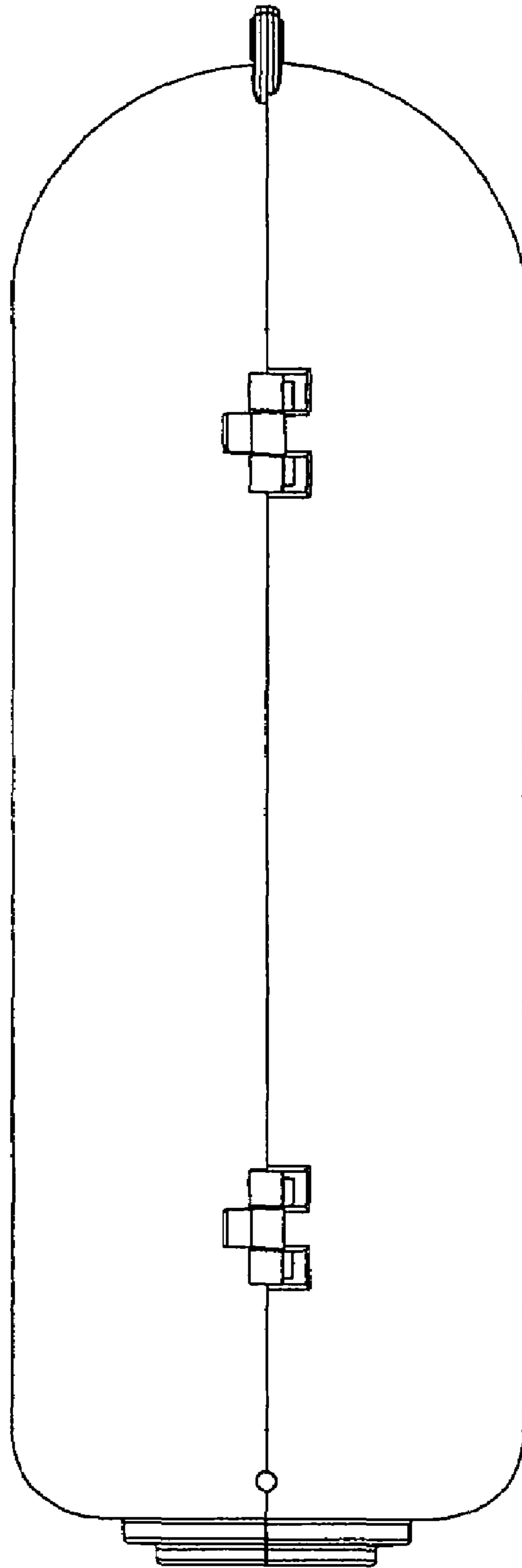


FIG. 4

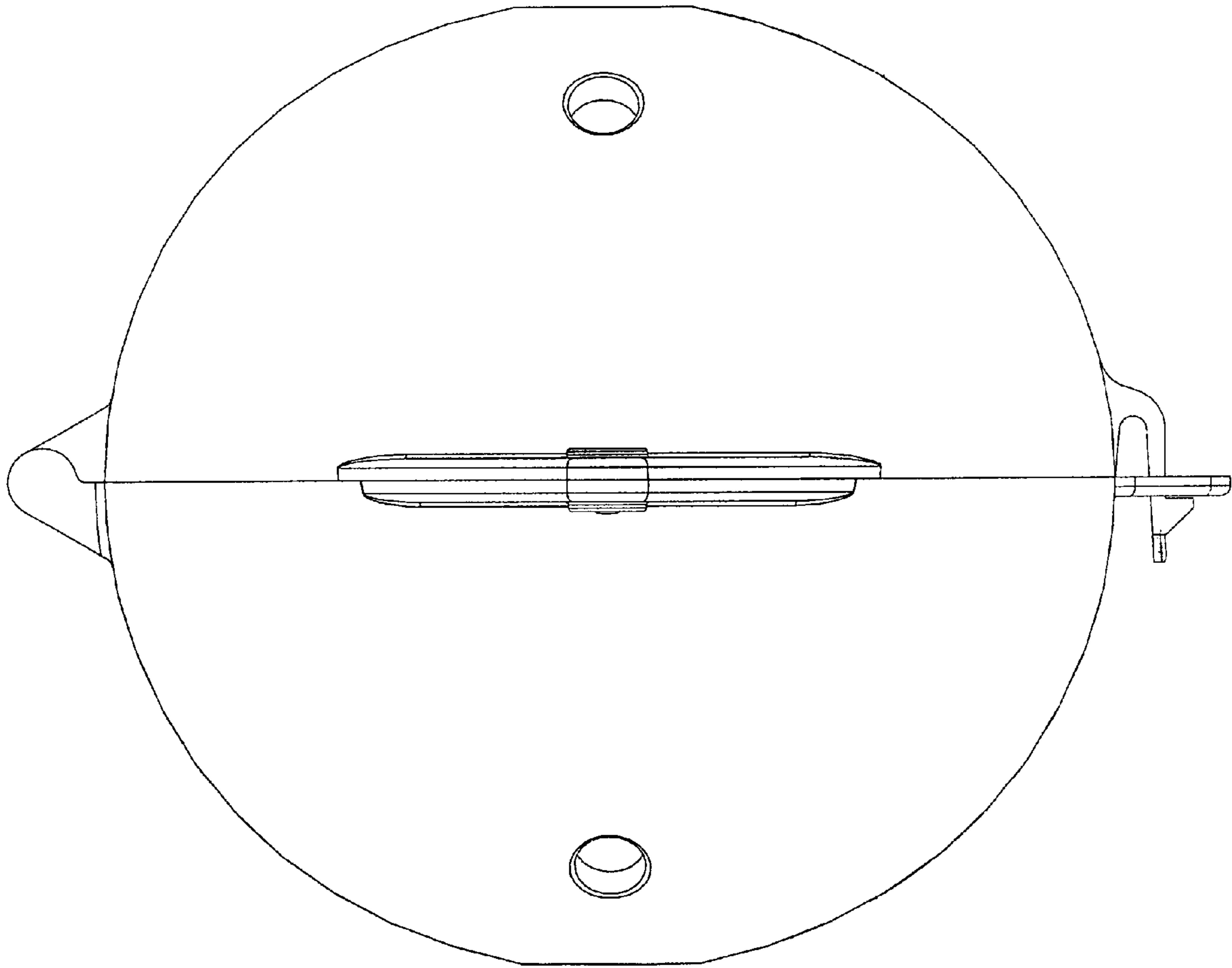


Fig. 5

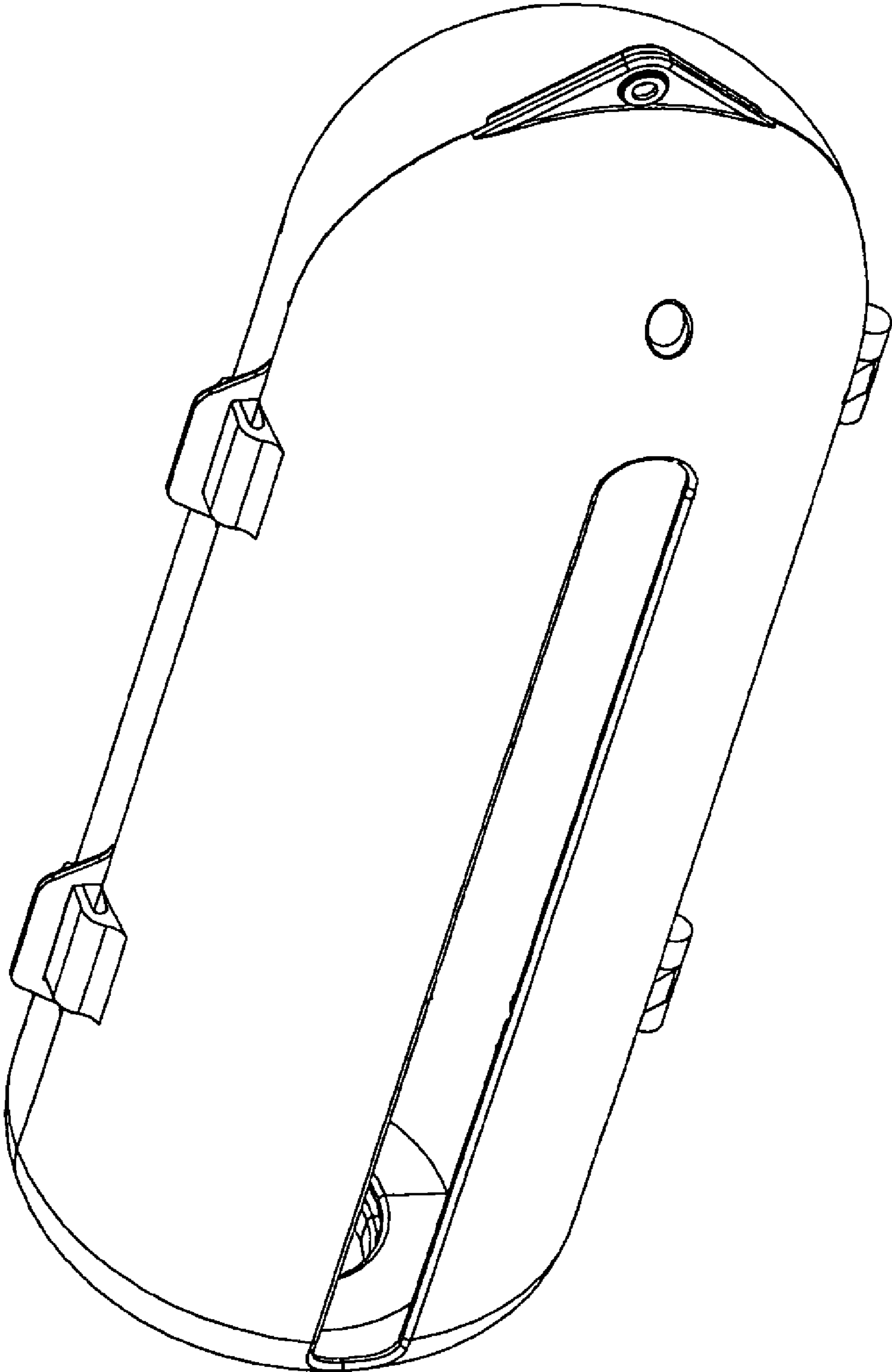


FIG. 6

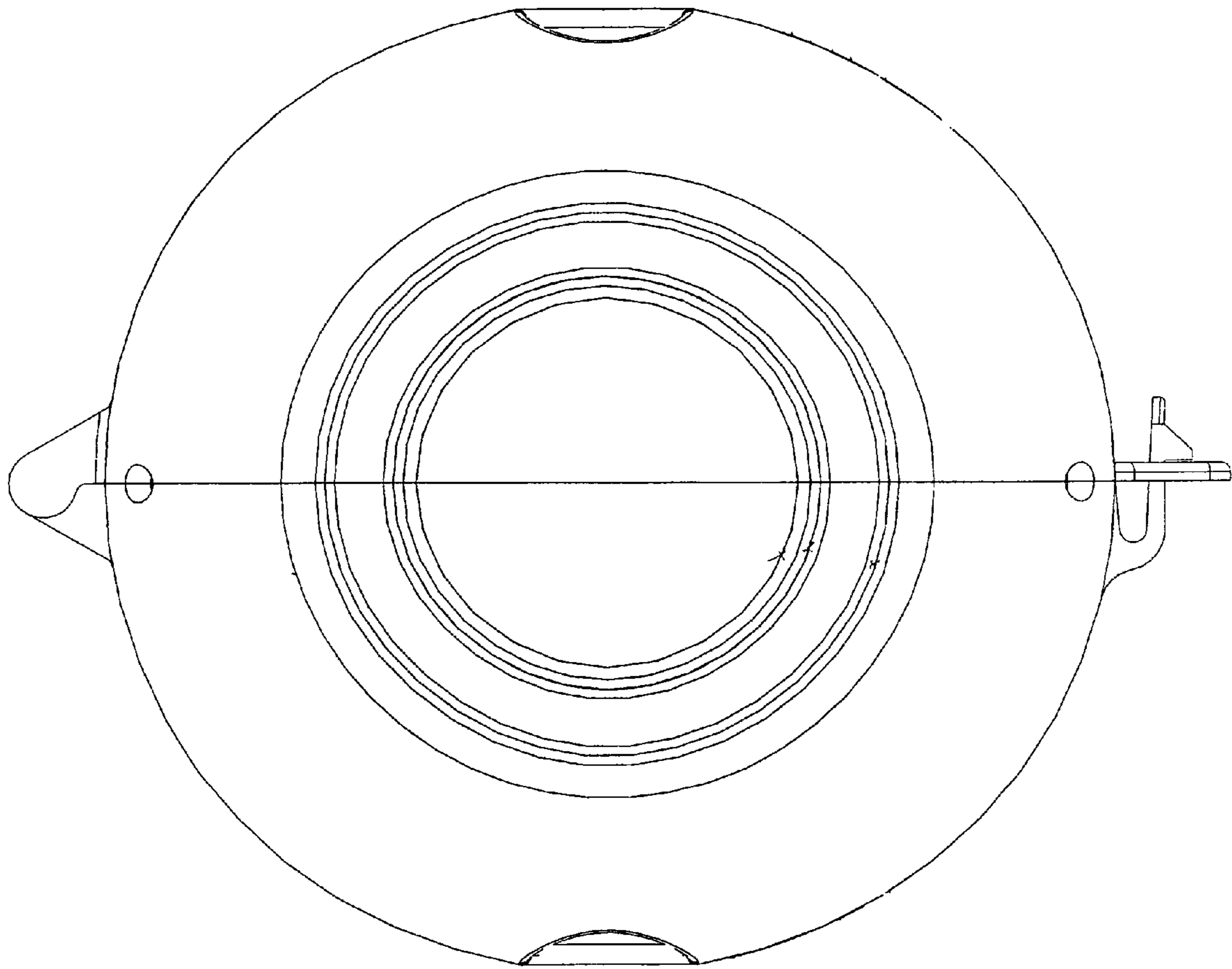


FIG. 7

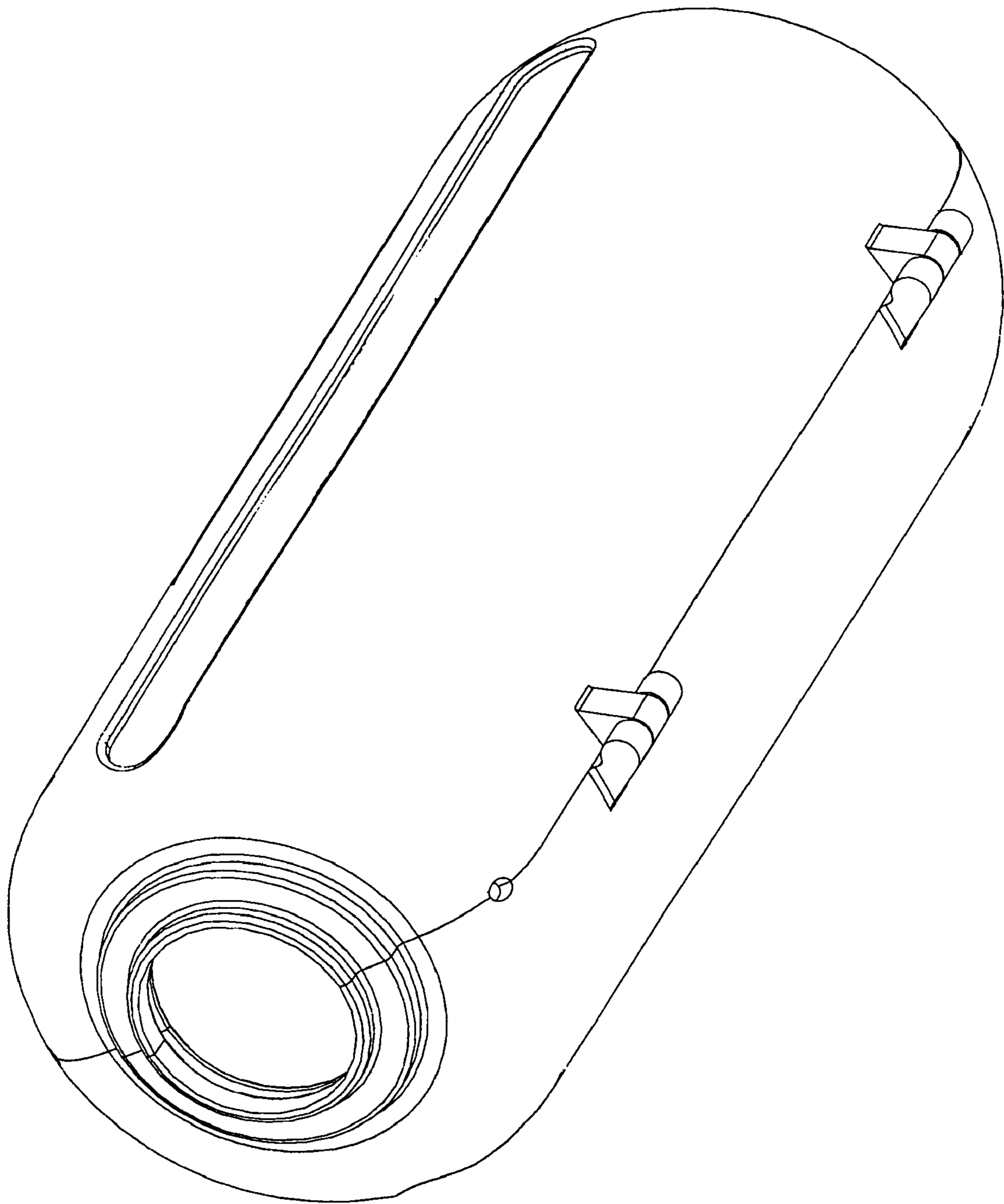


FIG. 8

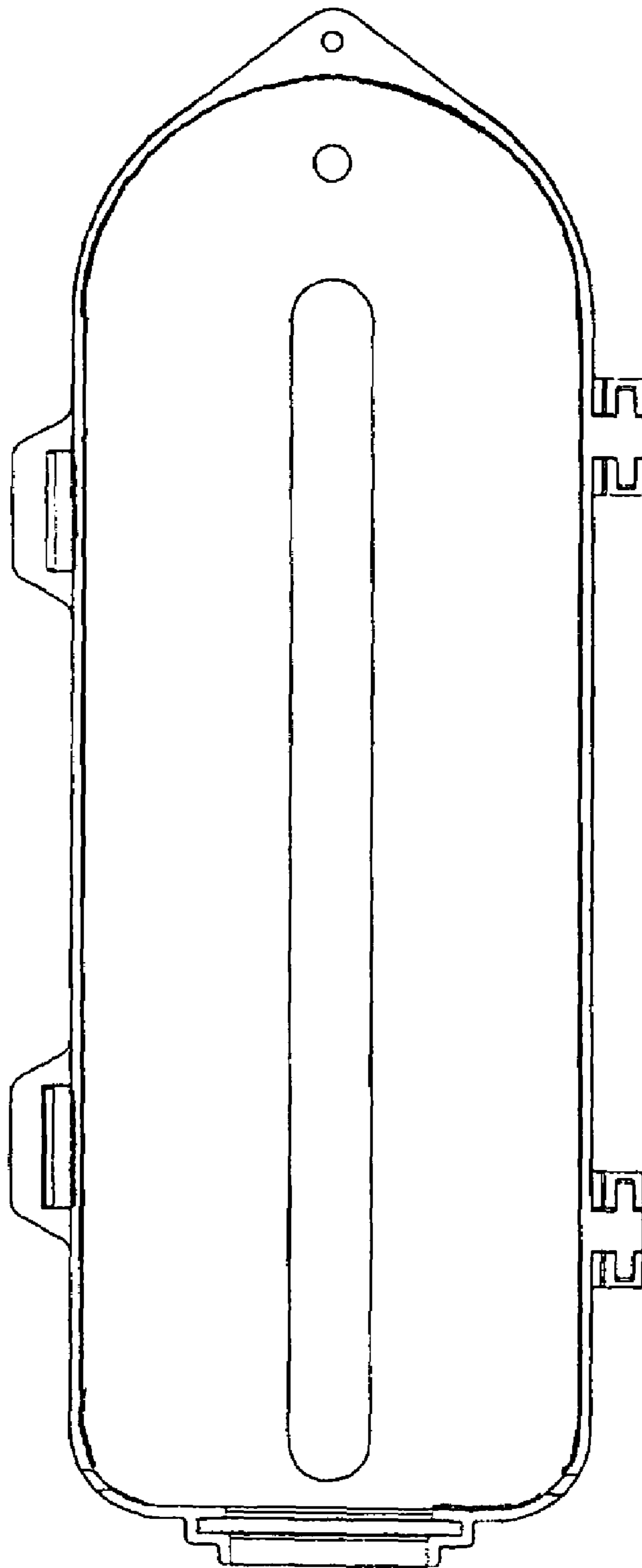


FIG. 9

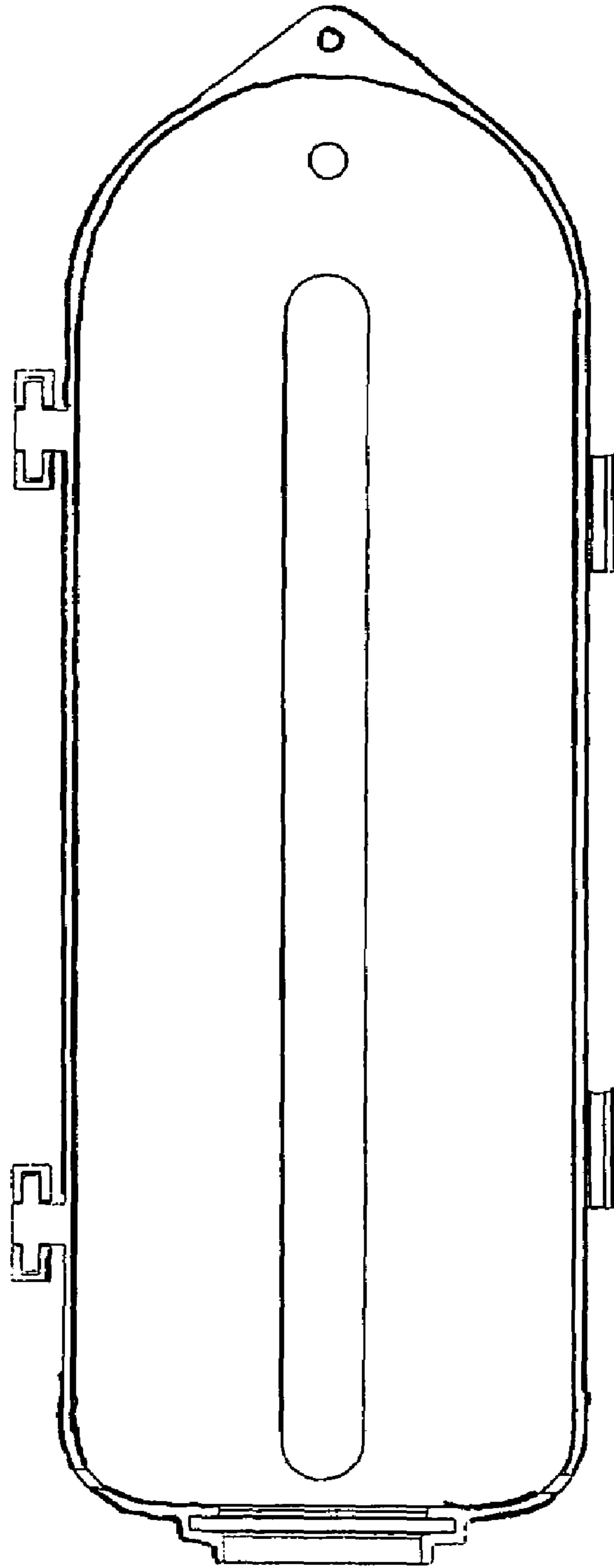


FIG. 10