



US00D612103S

(12) **United States Design Patent**  
**Sugiyama**

(10) **Patent No.:** **US D612,103 S**  
(45) **Date of Patent:** **\*\* Mar. 16, 2010**

(54) **TWEEZERS**

(75) Inventor: **Mikitoshi Sugiyama**, Osaka (JP)

(73) Assignee: **Green Bell Co., Ltd.**, Osaka (JP)

(\*\*) Term: **14 Years**

(21) Appl. No.: **29/329,696**

(22) Filed: **Dec. 19, 2008**

(30) **Foreign Application Priority Data**

Jun. 24, 2008 (JP) ..... 2008-016133

(51) **LOC (9) Cl.** ..... **28-03**

(52) **U.S. Cl.** ..... **D28/55**

(58) **Field of Classification Search** ..... D28/55;  
294/99.2; 606/210-211; D24/143

See application file for complete search history.

(56) **References Cited**

**U.S. PATENT DOCUMENTS**

1,095,564	A *	5/1914	Engelsman	.....	294/99.2
2,623,152	A *	12/1952	Ammon	.....	294/99.2
D452,937	S *	1/2002	Grisoni	.....	D28/55
D516,749	S *	3/2006	Haquin	.....	D28/55
D568,001	S *	4/2008	Cho	.....	D28/55

\* cited by examiner

*Primary Examiner*—Jennifer Rivard

(74) *Attorney, Agent, or Firm*—Heslin Rothenberg Farley & Mesiti P.C.

(57) **CLAIM**

The ornamental design for tweezers, as shown and described.

**DESCRIPTION**

FIG. 1 is a perspective view of the tweezers of the present design;

FIG. 2 is a front elevation view thereof, the rear elevation view being a mirror image thereof;

FIG. 3 is a top plan view thereof;

FIG. 4 is a bottom plan view thereof;

FIG. 5 is a right side elevation view thereof;

FIG. 6 is a left side elevation view thereof;

FIG. 7 is an enlarged right side elevation view thereof;

FIG. 8 is an enlarged left side elevation view thereof;

FIG. 9 is a sectional view taken along line 9—9 of FIG. 5;

FIG. 10 is a sectional view taken along line 10—10 of FIG. 6;

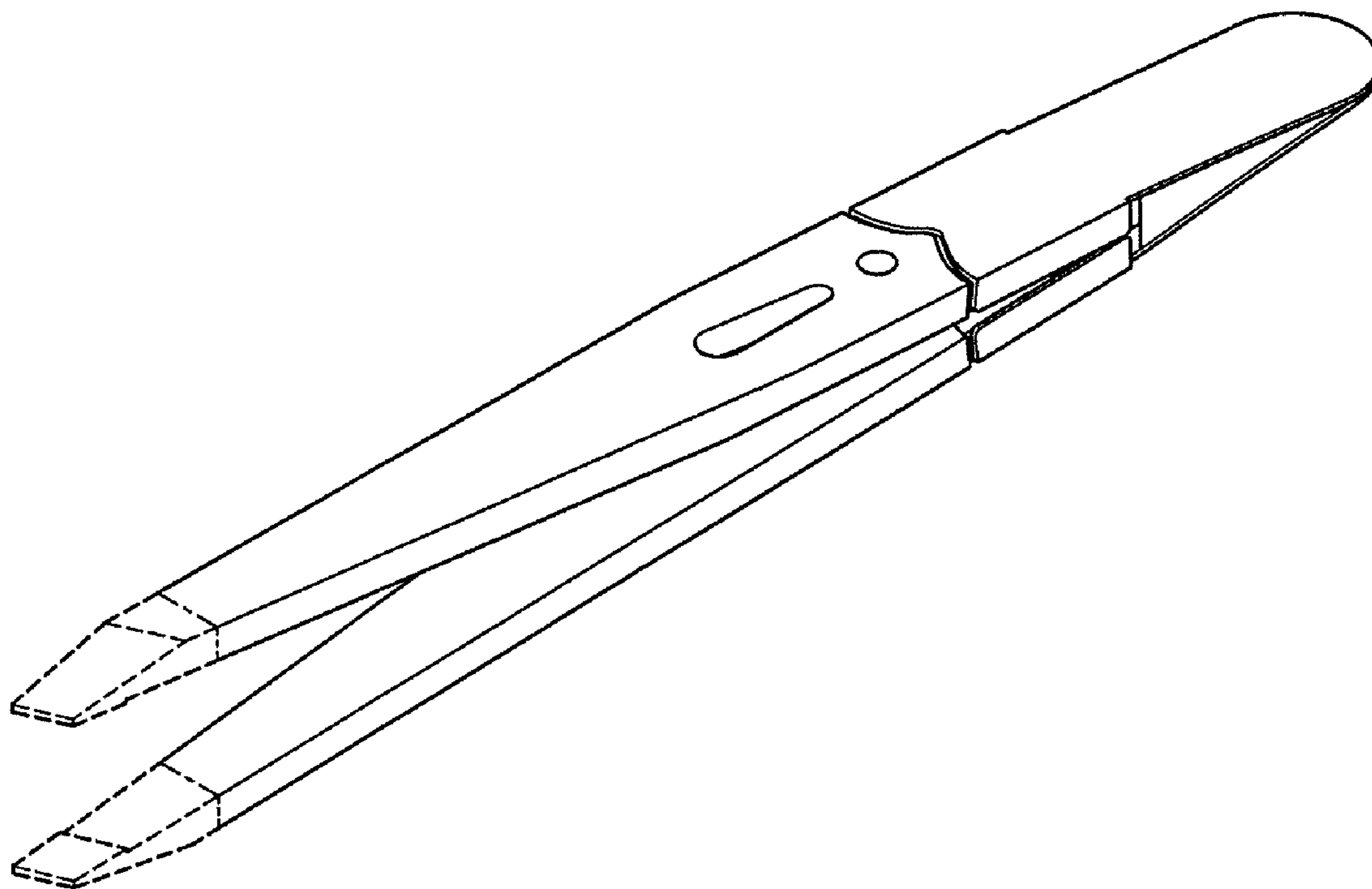
FIG. 11 is a reference view showing the state wherein the tweezers are closed;

FIG. 12 is an enlarged sectional view taken along line 12—12 of FIG. 11; and,

FIG. 13 is an enlarged sectional view taken along line 13—13 of FIG. 11.

The dashed lines which disclose the environment related to the claimed design and the dashed and dotted lines which define the bounds of the claimed design form no part thereof.

**1 Claim, 7 Drawing Sheets**



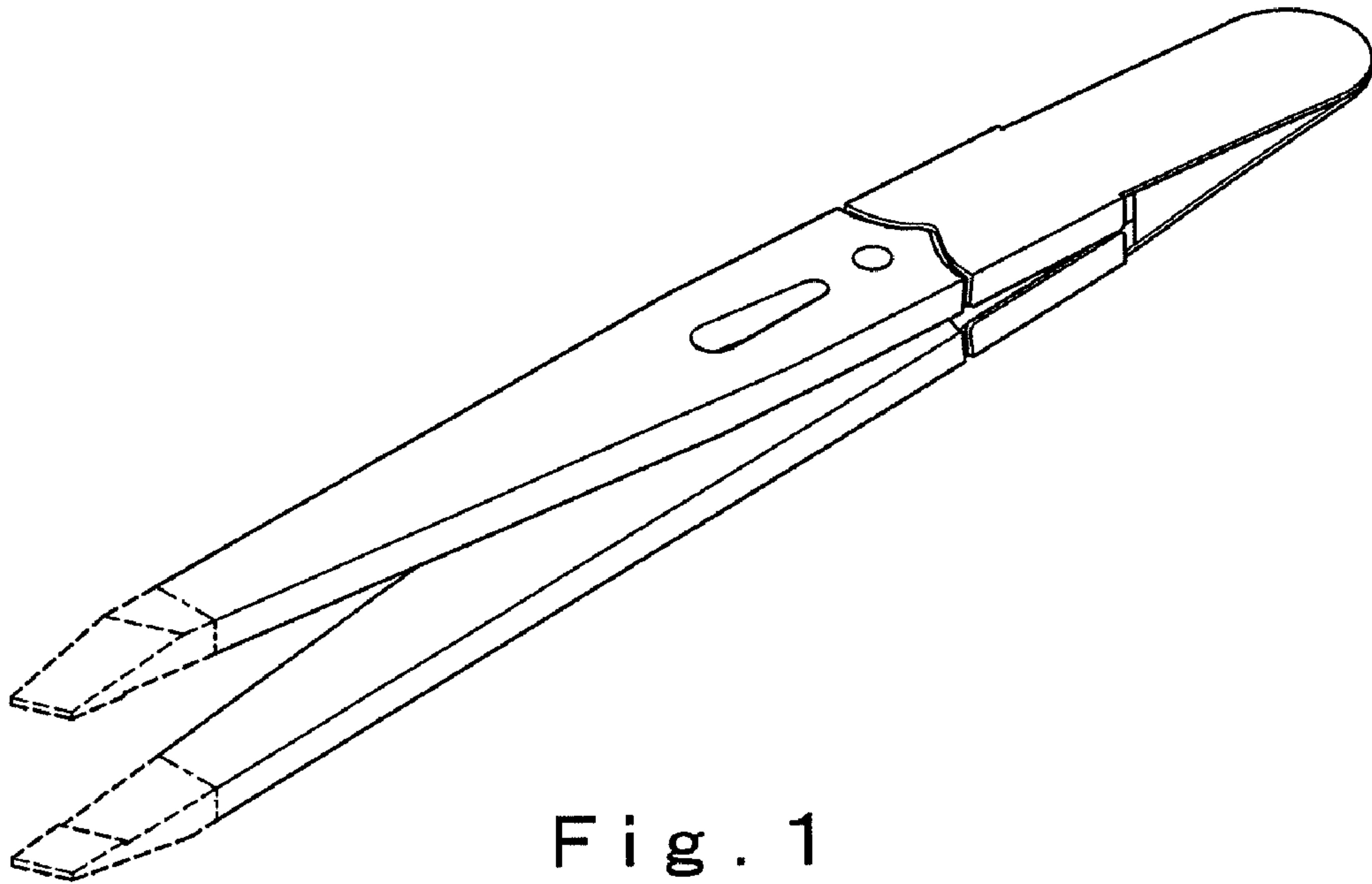


Fig. 1

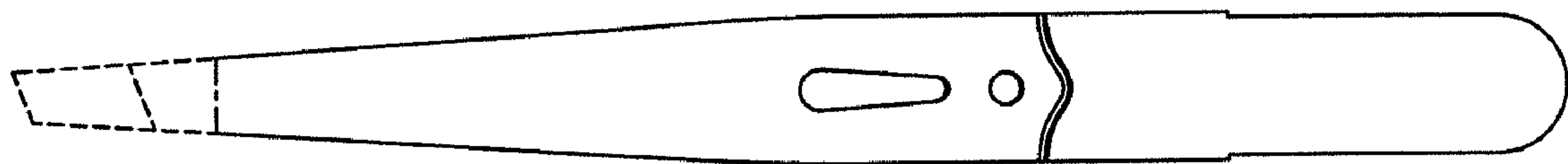


Fig. 2

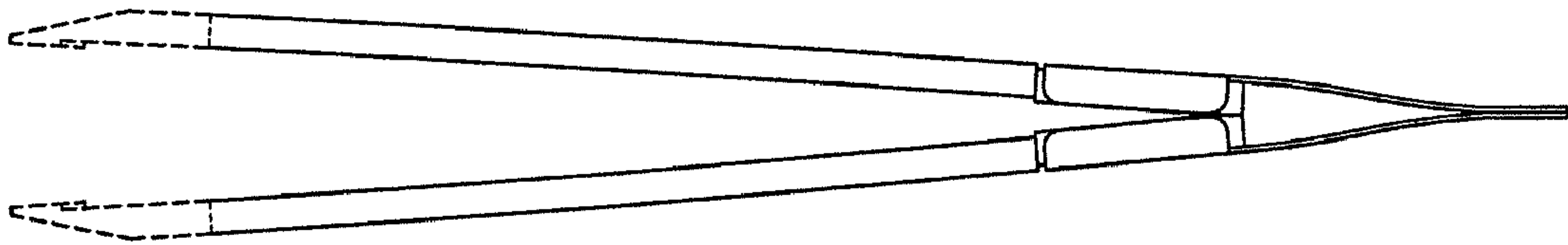


Fig. 3

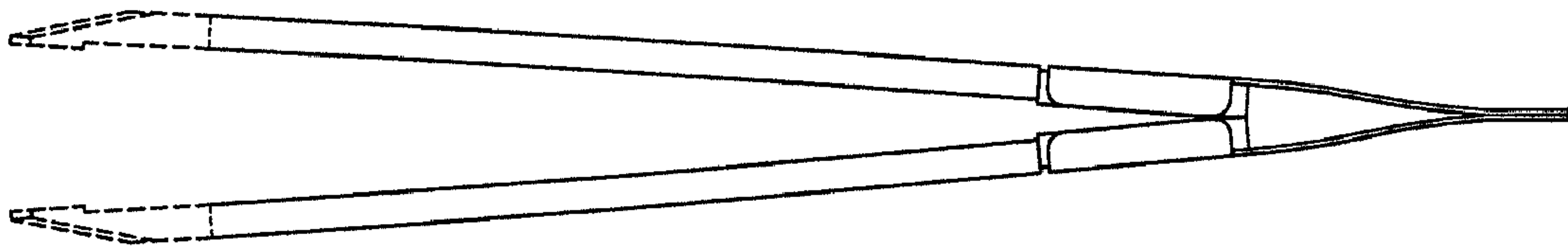


Fig. 4

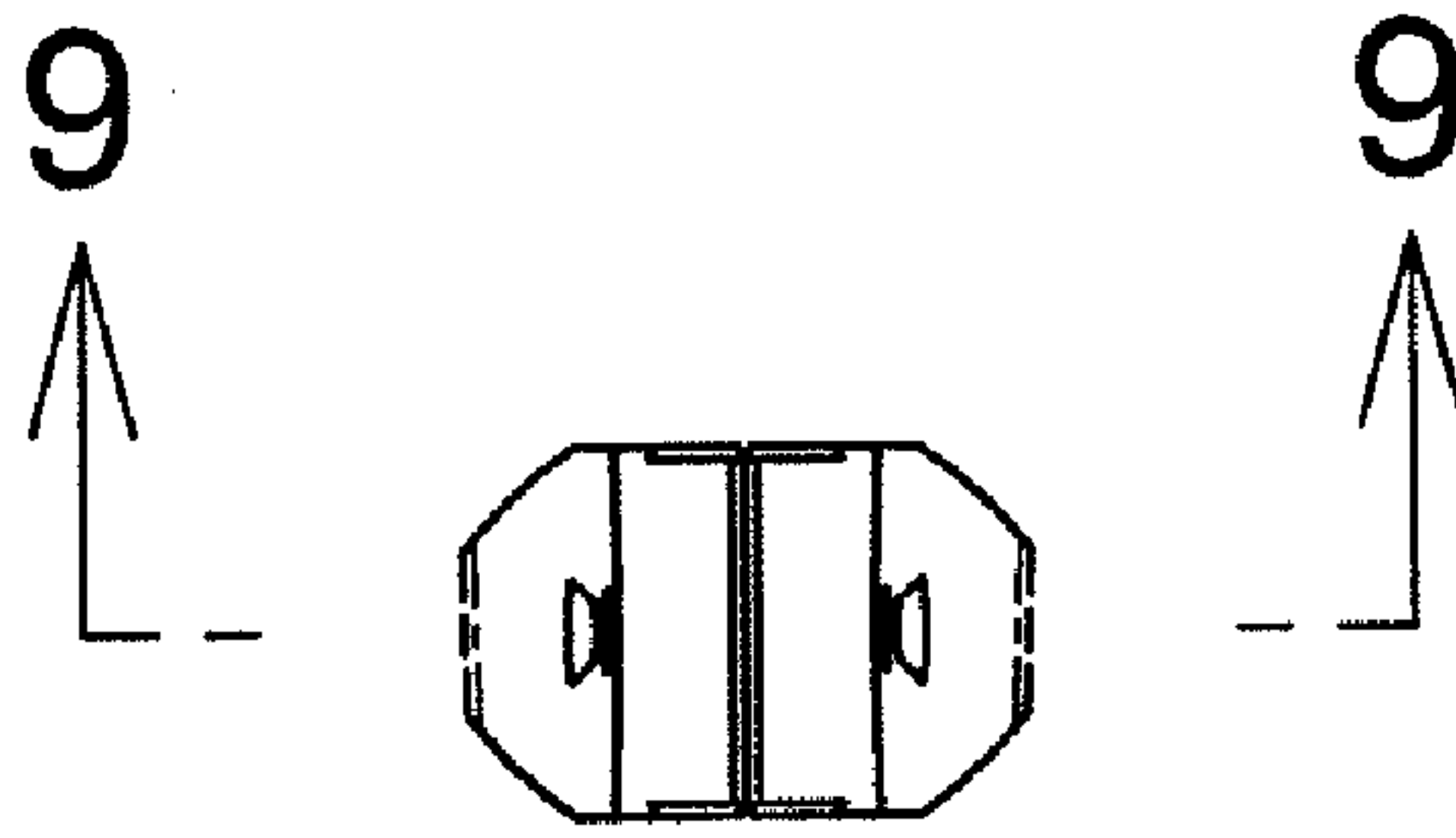


Fig. 5

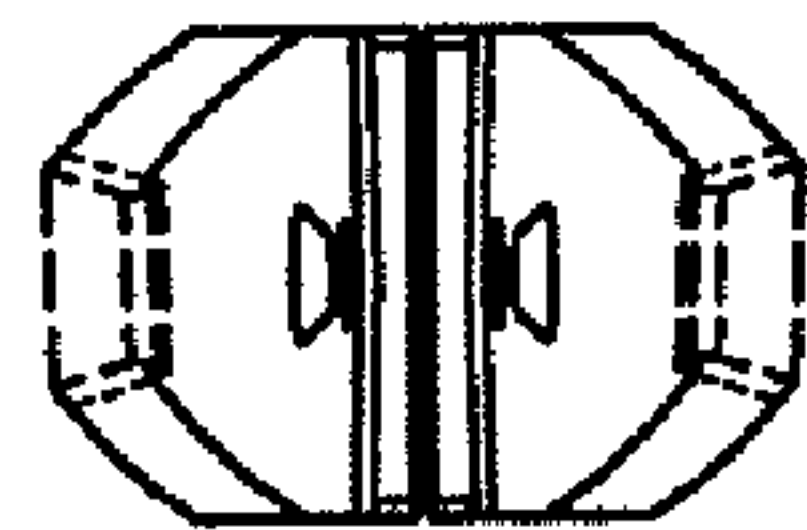


Fig. 6

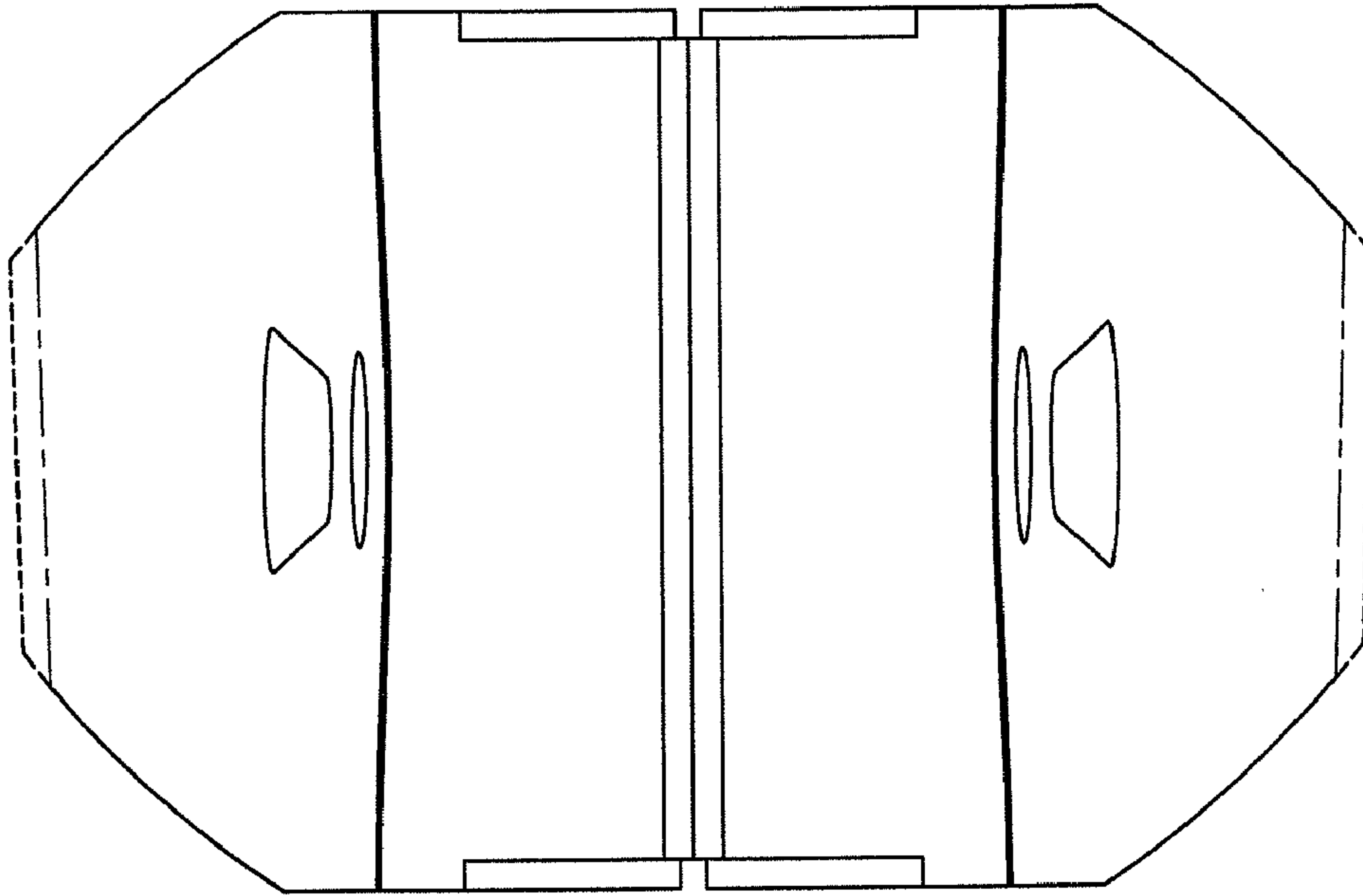


Fig . 7

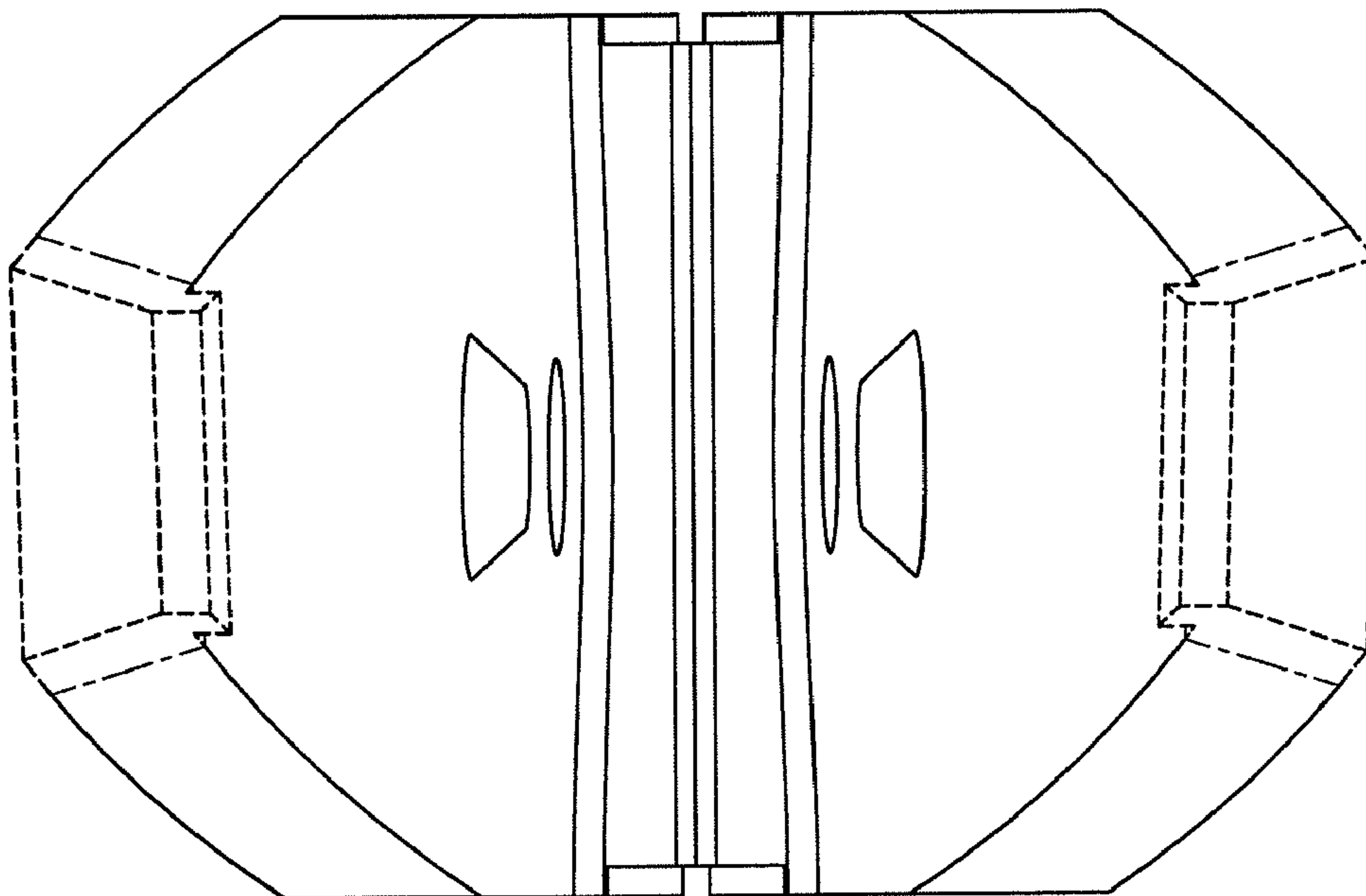


Fig . 8

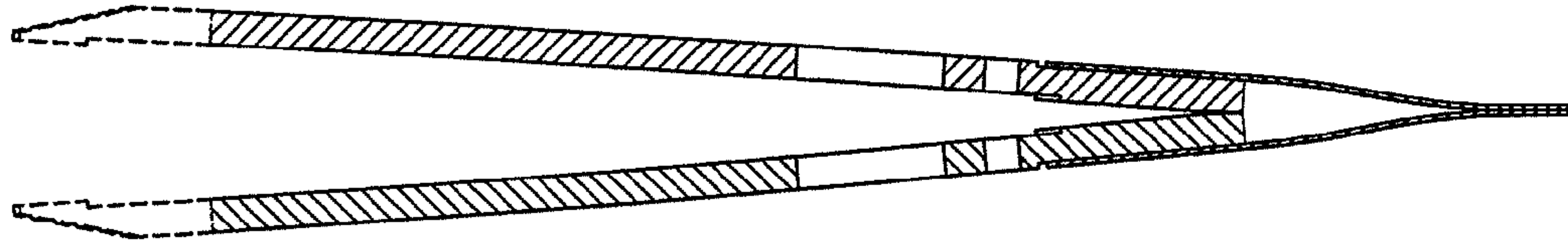


Fig. 9

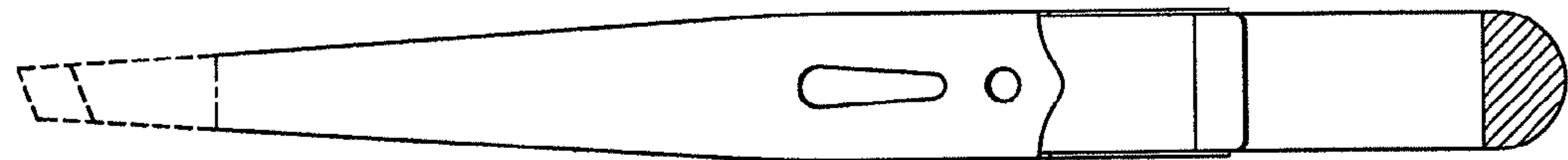


Fig. 10

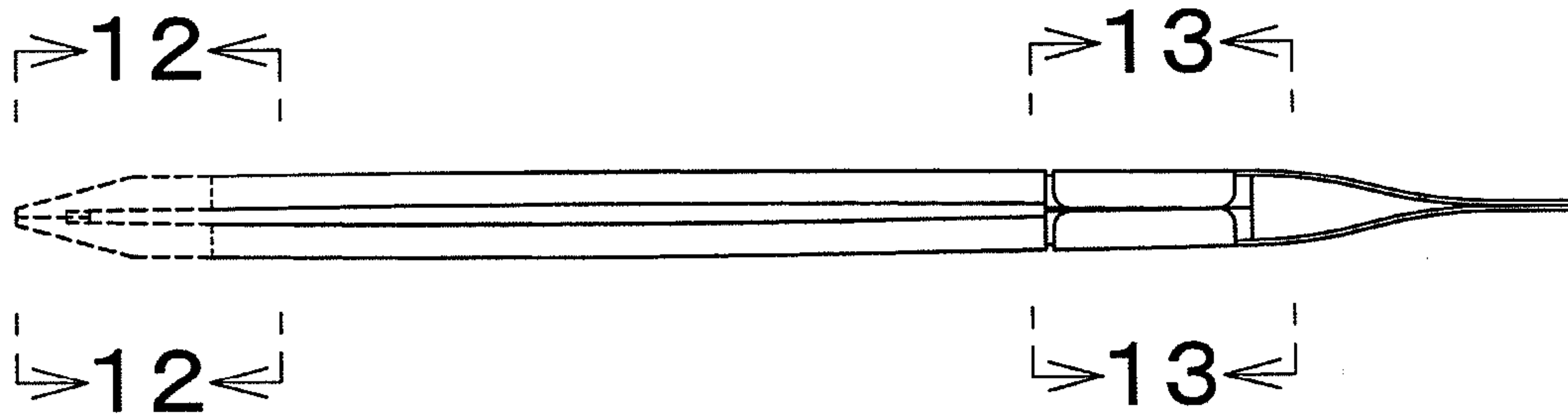


Fig. 11

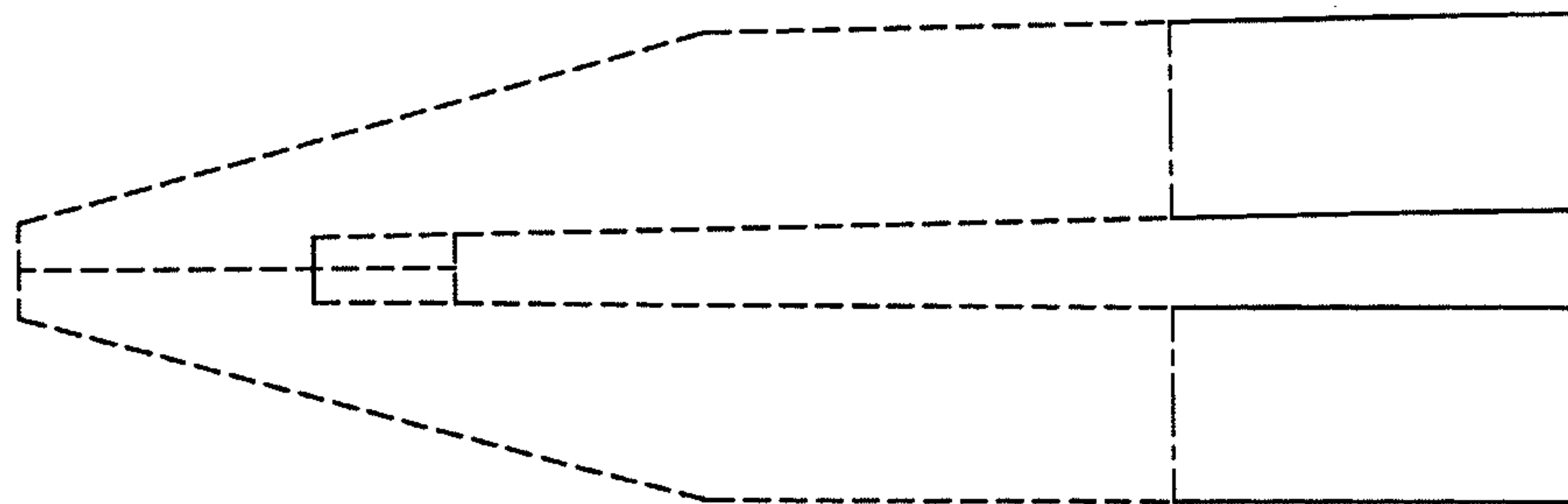


Fig. 12

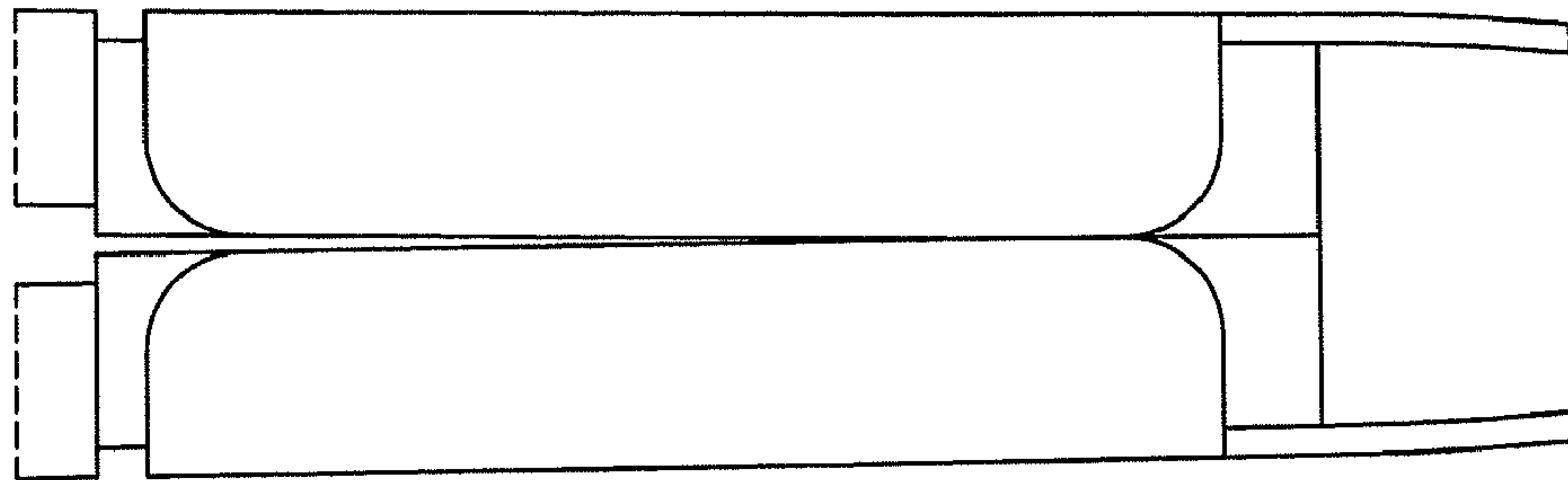


Fig. 13