



US00D612094S

(12) **United States Design Patent**
Bellamah et al.

(10) **Patent No.:** **US D612,094 S**

(45) **Date of Patent:** **** Mar. 16, 2010**

(54) **CONTAINER**

(75) Inventors: **Stephen J. Bellamah**, Midlothian, VA (US); **Robert T. Mitten**, Glenn Allen, VA (US); **Isidro Gomez**, Midlothian, VA (US)

(73) Assignee: **Philip Morris USA Inc.**, Richmond, VA (US)

(**) Term: **14 Years**

(21) Appl. No.: **29/300,125**

(22) Filed: **Feb. 22, 2008**

(51) **LOC (9) Cl.** **27-06**

(52) **U.S. Cl.** **D27/189; D9/432**

(58) **Field of Classification Search** D27/186-191; 206/256, 261-263, 265-270, 242, 236; D9/432, D9/424, 426; D3/273

See application file for complete search history.

(56) **References Cited**

U.S. PATENT DOCUMENTS

2,836,288	A *	5/1958	Atchison	206/269
D199,011	S *	8/1964	Vogt	D27/187
D261,234	S *	10/1981	Abraham	D9/432
D303,298	S *	9/1989	Grant	D27/189
D448,109	S *	9/2001	Ichikawa	D27/189
D452,939	S *	1/2002	Lai	D27/189

D563,596	S *	3/2008	Neias	D27/189
D594,154	S *	6/2009	Patel et al.	D27/189

* cited by examiner

Primary Examiner—Jennifer Rivard

(74) *Attorney, Agent, or Firm*—Buchanan Ingersoll & Rooney PC

(57) **CLAIM**

The ornamental design for a container, substantially as shown and described.

DESCRIPTION

FIG. 1 is a top, front perspective view of a container showing our new design in a closed configuration.

FIG. 2 is a top, front perspective view thereof in an open configuration, with the top portion removed.

FIG. 3 is a top plan view thereof, the bottom view being a mirror image thereof.

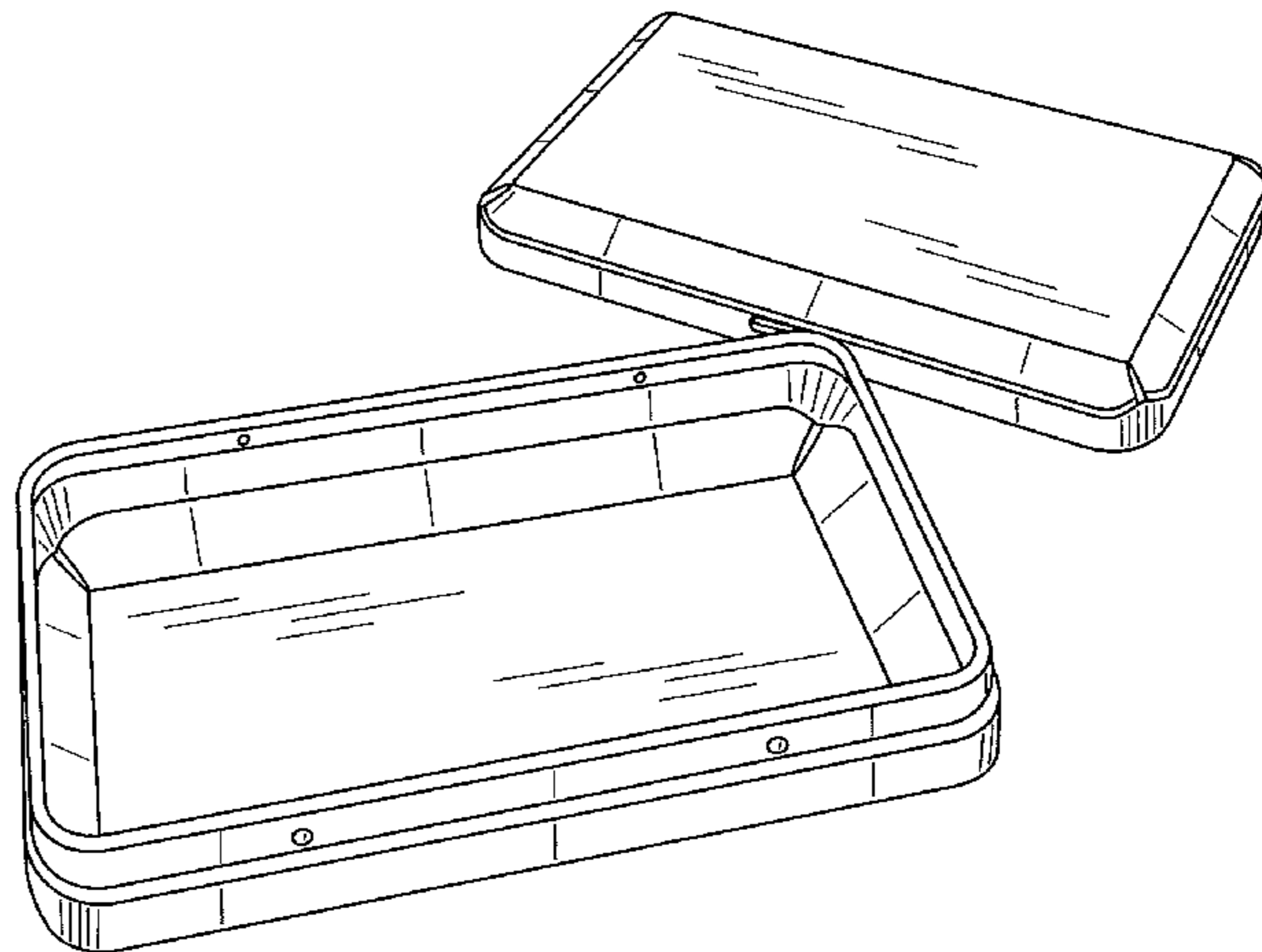
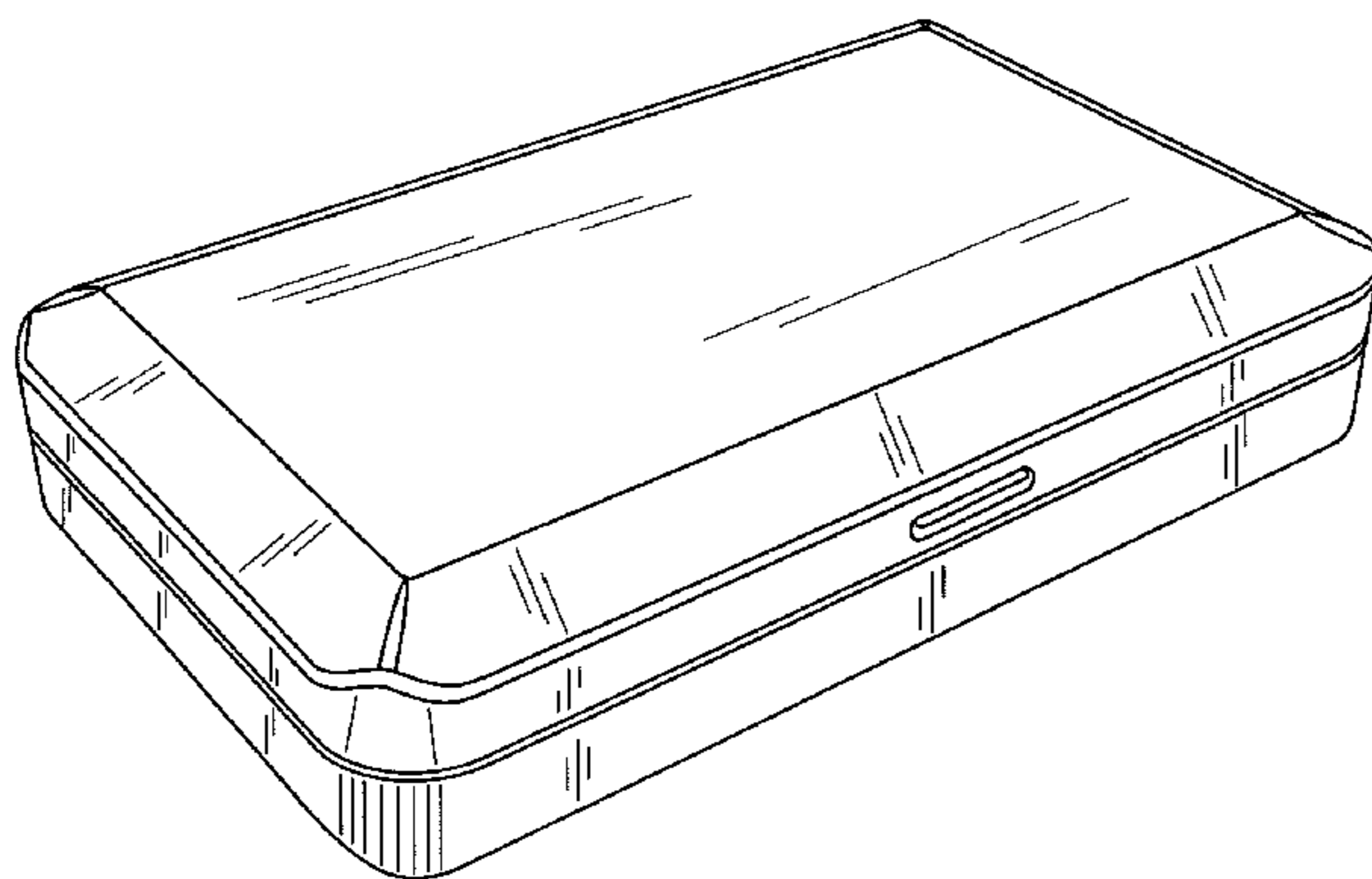
FIG. 4 is a front elevational view thereof, the rear view being a mirror image thereof.

FIG. 5 is a side elevational view thereof, the other side being a mirror image thereof.

FIG. 6 is a further top, front perspective view thereof; and,

FIG. 7 is a further top, front perspective view thereof with the container shown in an open configuration.

1 Claim, 3 Drawing Sheets



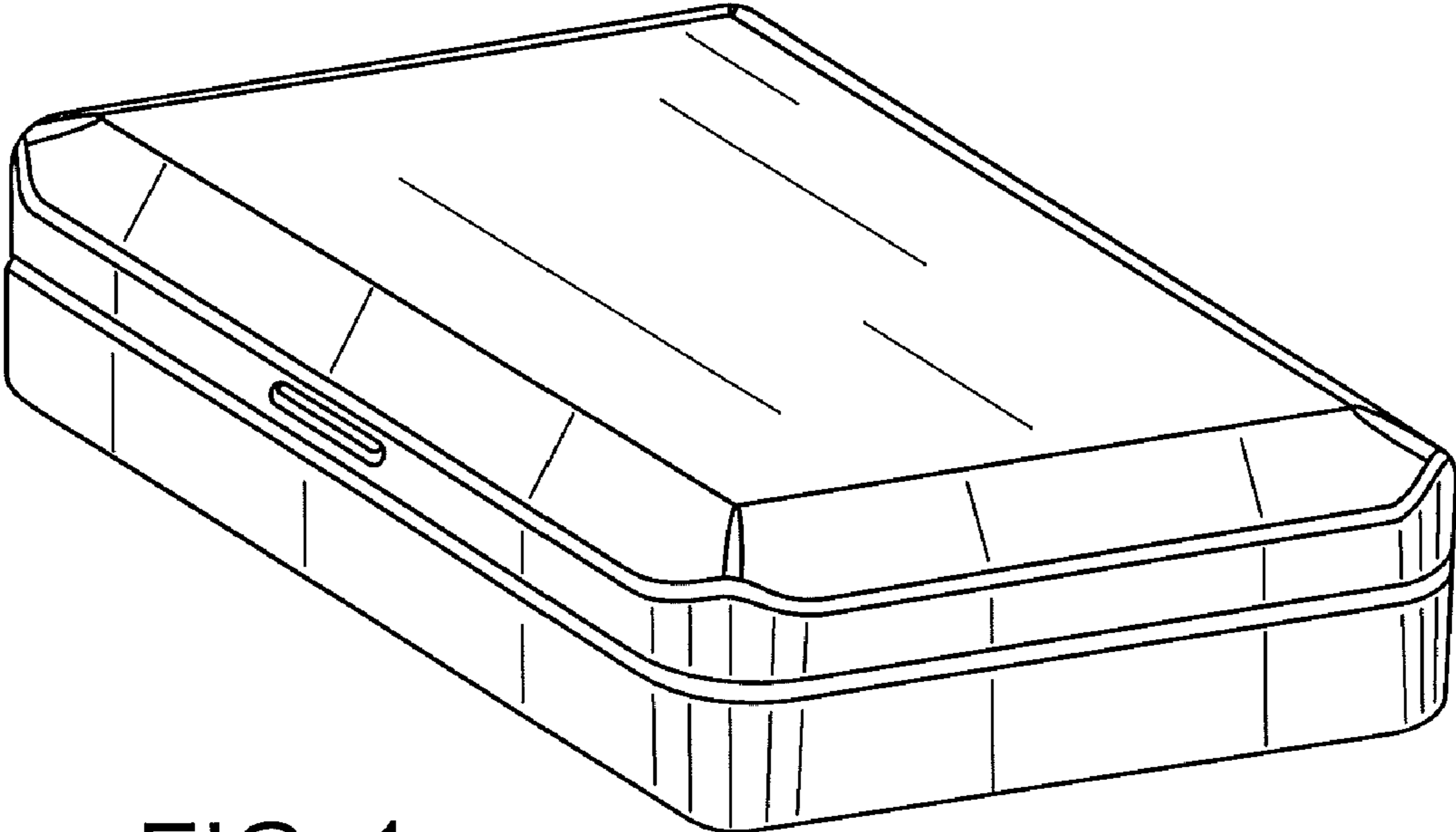


FIG. 1

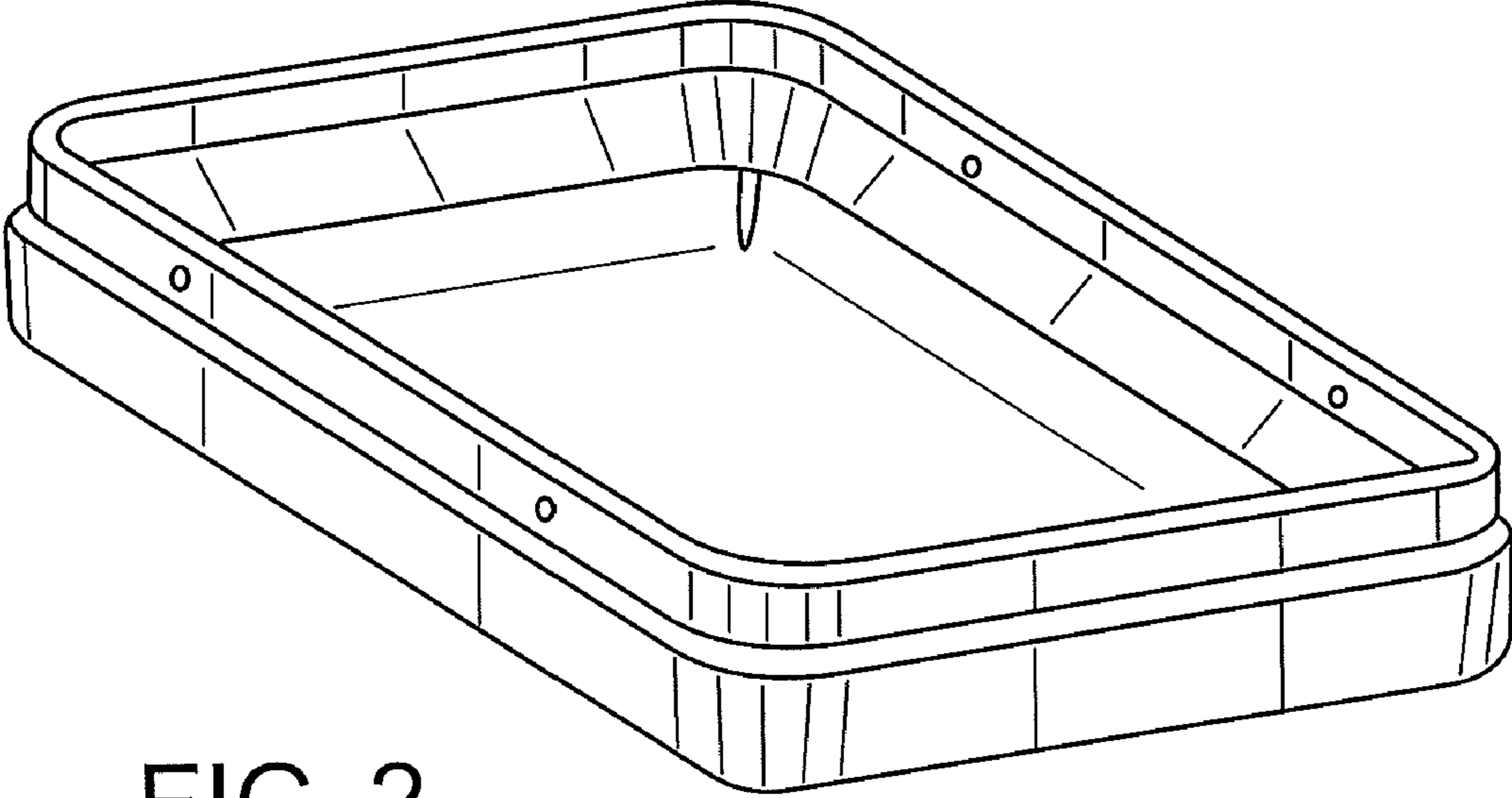


FIG. 2

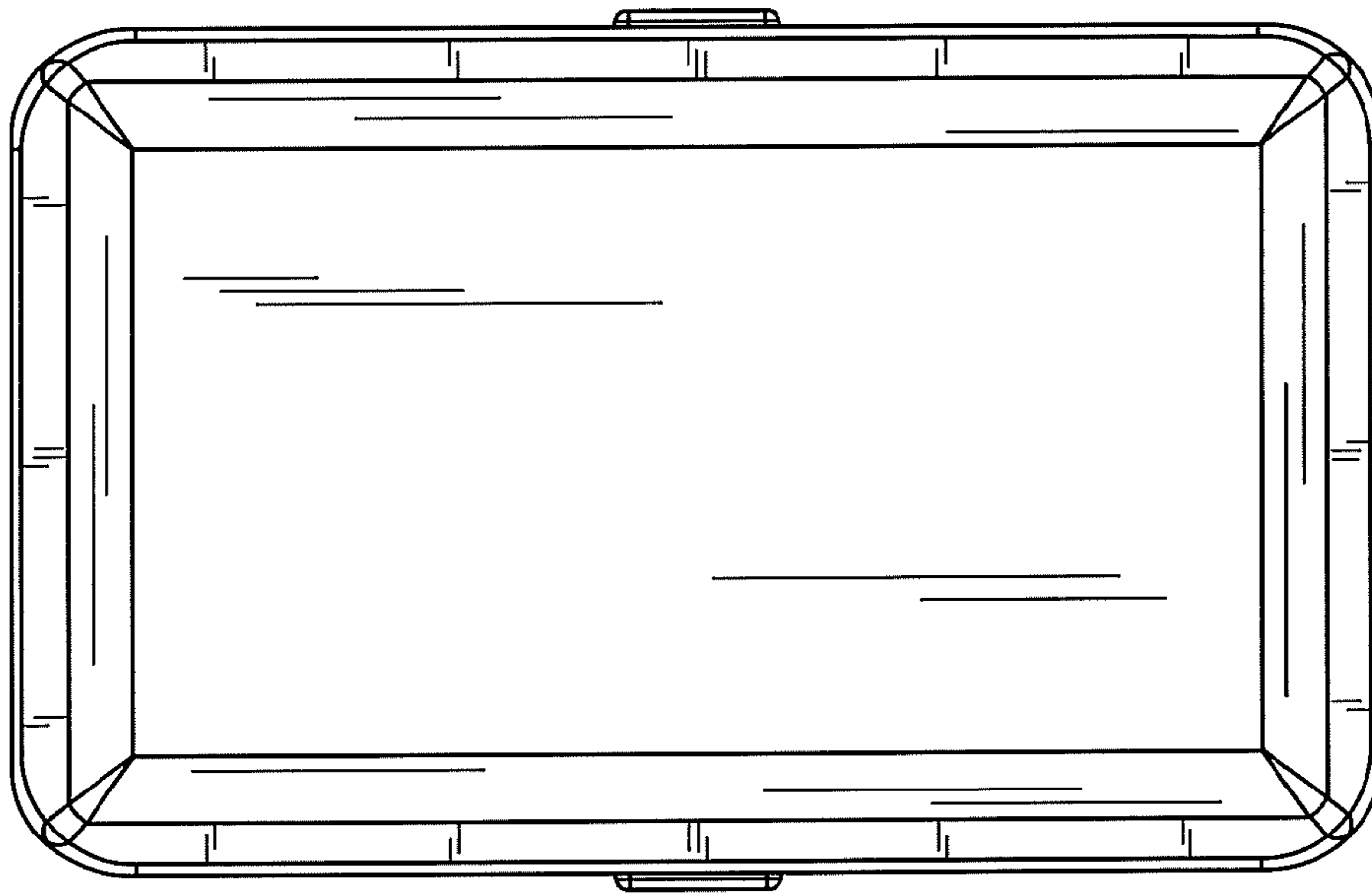


FIG. 3

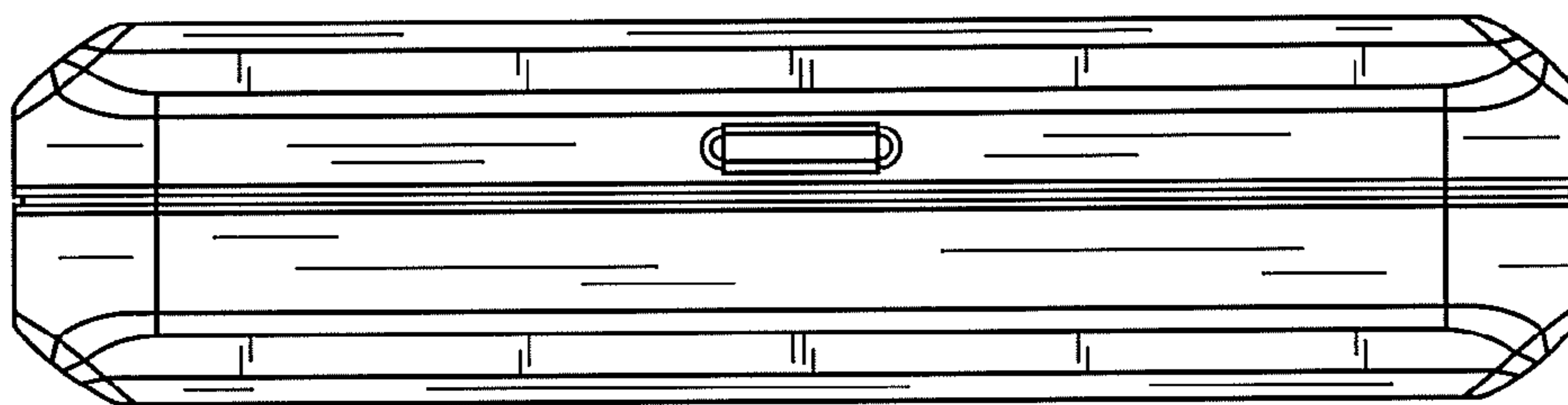


FIG. 4

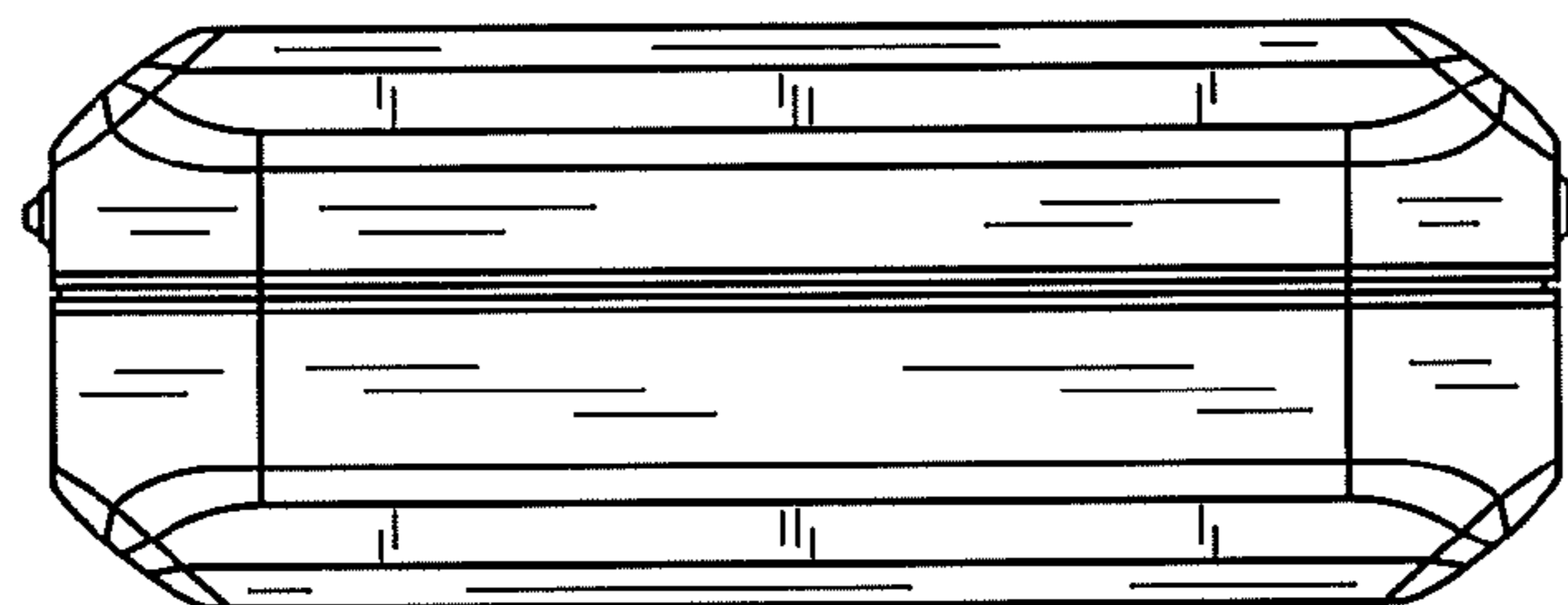


FIG. 5

FIG. 6

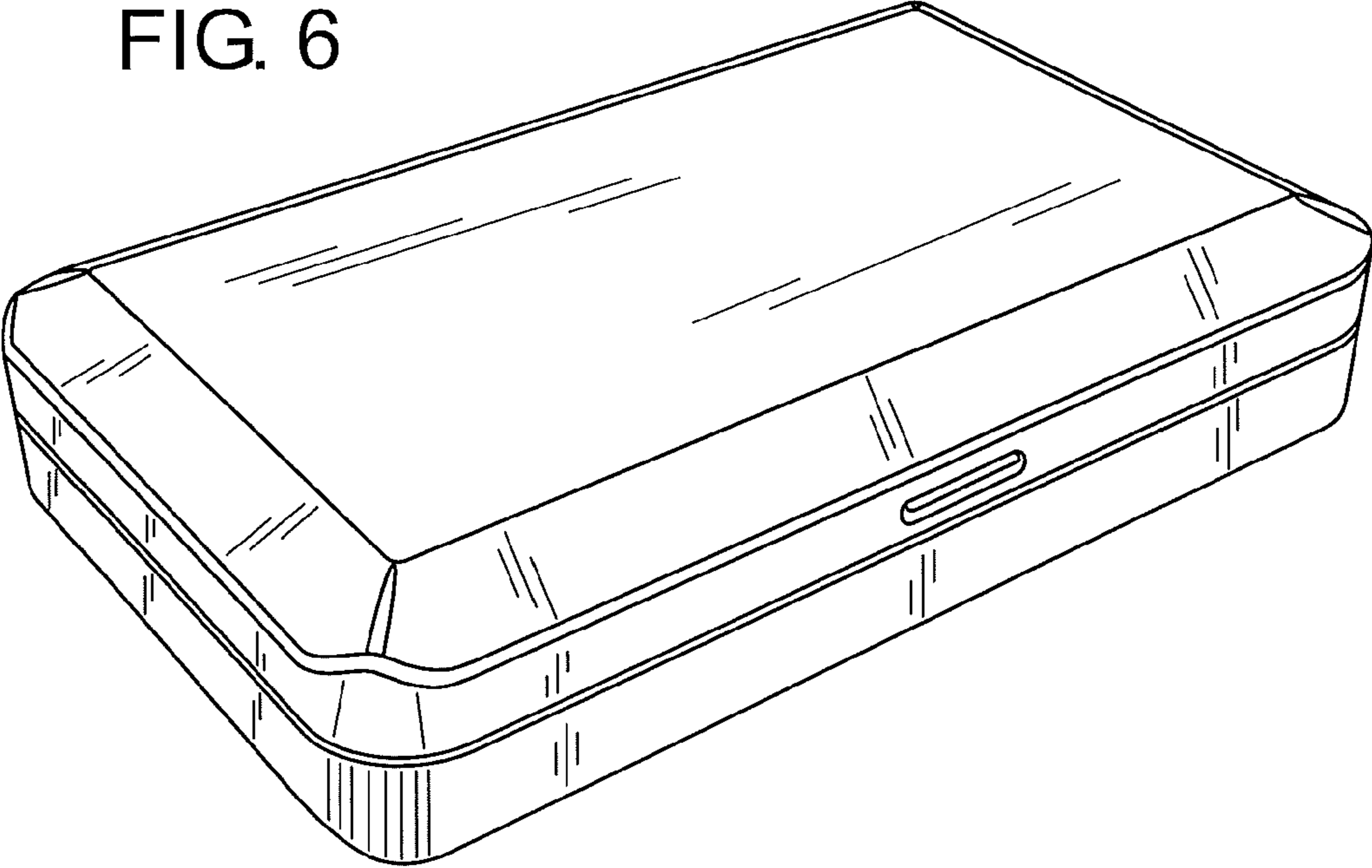


FIG. 7

