



US00D612093S

(12) **United States Design Patent**
Espiau et al.

(10) **Patent No.:** **US D612,093 S**
(45) **Date of Patent:** **** Mar. 16, 2010**

(54) **ELECTRODE-LESS LAMP WITH BASE**

(75) Inventors: **Frederick M. Espiau**, Topanga, CA
(US); **Mehran Matloubian**, Encino, CA
(US)

(73) Assignee: **Topanga Technologies, Inc.**, Canoga,
CA (US)

(**) Term: **14 Years**

(21) Appl. No.: **29/337,185**

(22) Filed: **May 15, 2009**

(51) **LOC (9) Cl.** **26-03**

(52) **U.S. Cl.** **D26/105**

(58) **Field of Classification Search** D26/1,
D26/24, 36, 67, 93-94, 104-110; 362/3,
362/153, 186, 217, 255, 257, 277, 317, 351,
362/353, 362, 363, 382, 431, 433, 458, 806
See application file for complete search history.

(56) **References Cited**

U.S. PATENT DOCUMENTS

D244,875 S * 6/1977 Baca D26/105
D257,902 S * 1/1981 Scholze et al. D26/93

D265,001 S * 6/1982 Graham D26/104
4,754,380 A * 6/1988 Wang 362/806
D406,379 S * 3/1999 Andrews D26/96
D488,582 S * 4/2004 Connelly et al. D26/96
D536,473 S * 2/2007 Tan D26/93
D537,190 S * 2/2007 Lyall et al. D26/96
D569,541 S * 5/2008 Shiu D26/96
D571,498 S * 6/2008 Dyson D26/93

* cited by examiner

Primary Examiner—Brian N Vinson

(74) *Attorney, Agent, or Firm*—Townsend and Townsend and
Crew LLP

(57) **CLAIM**

The ornamental design for electro-less lamp with base, as
shown and described.

DESCRIPTION

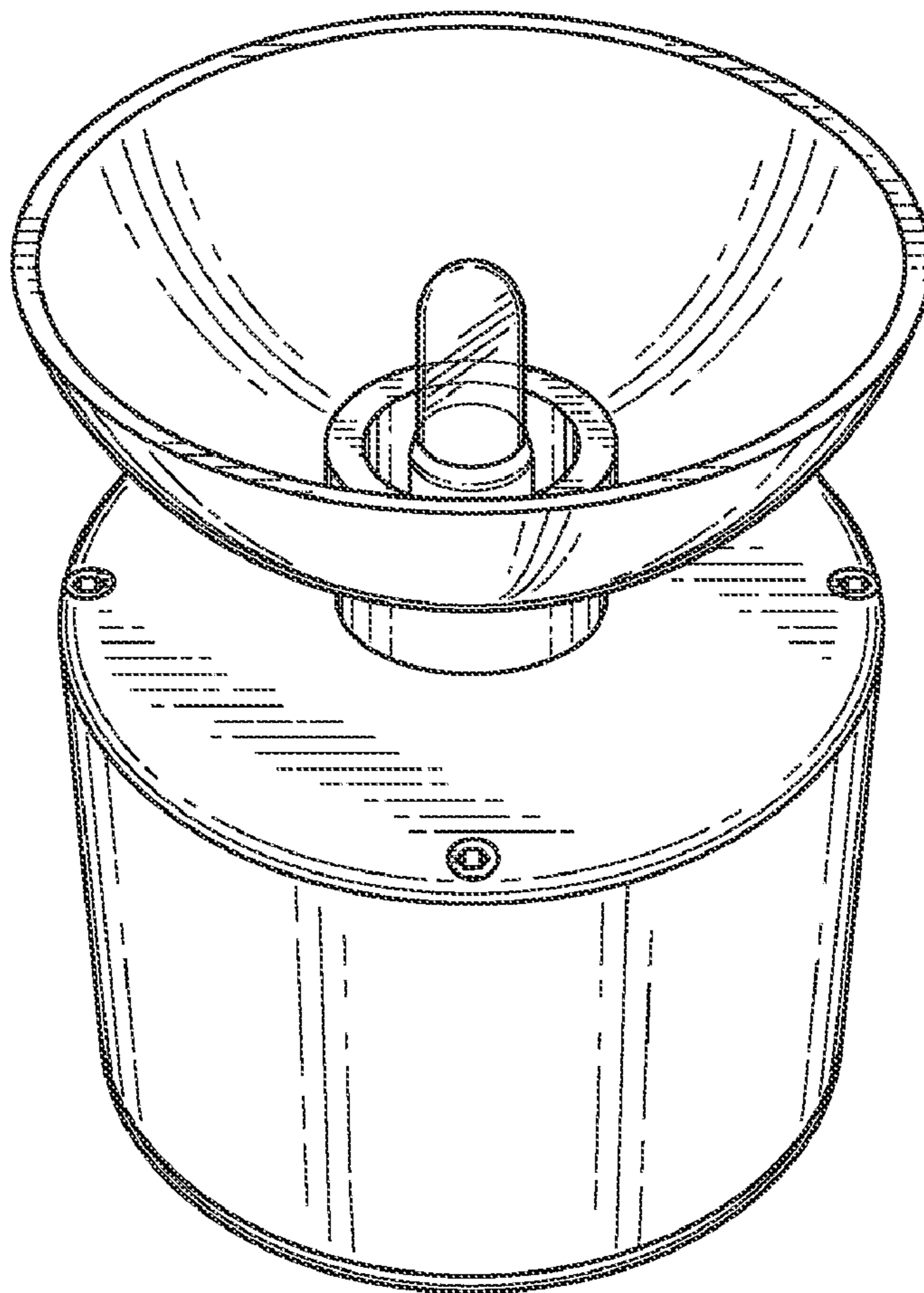
FIG. 1 is a top and front perspective view of an electro-less
lamp with base showing our new design;

FIG. 2 is a front elevational view thereof;

FIG. 3 is a top plan view thereof; and,

FIG. 4 is a bottom plan view thereof.

1 Claim, 3 Drawing Sheets



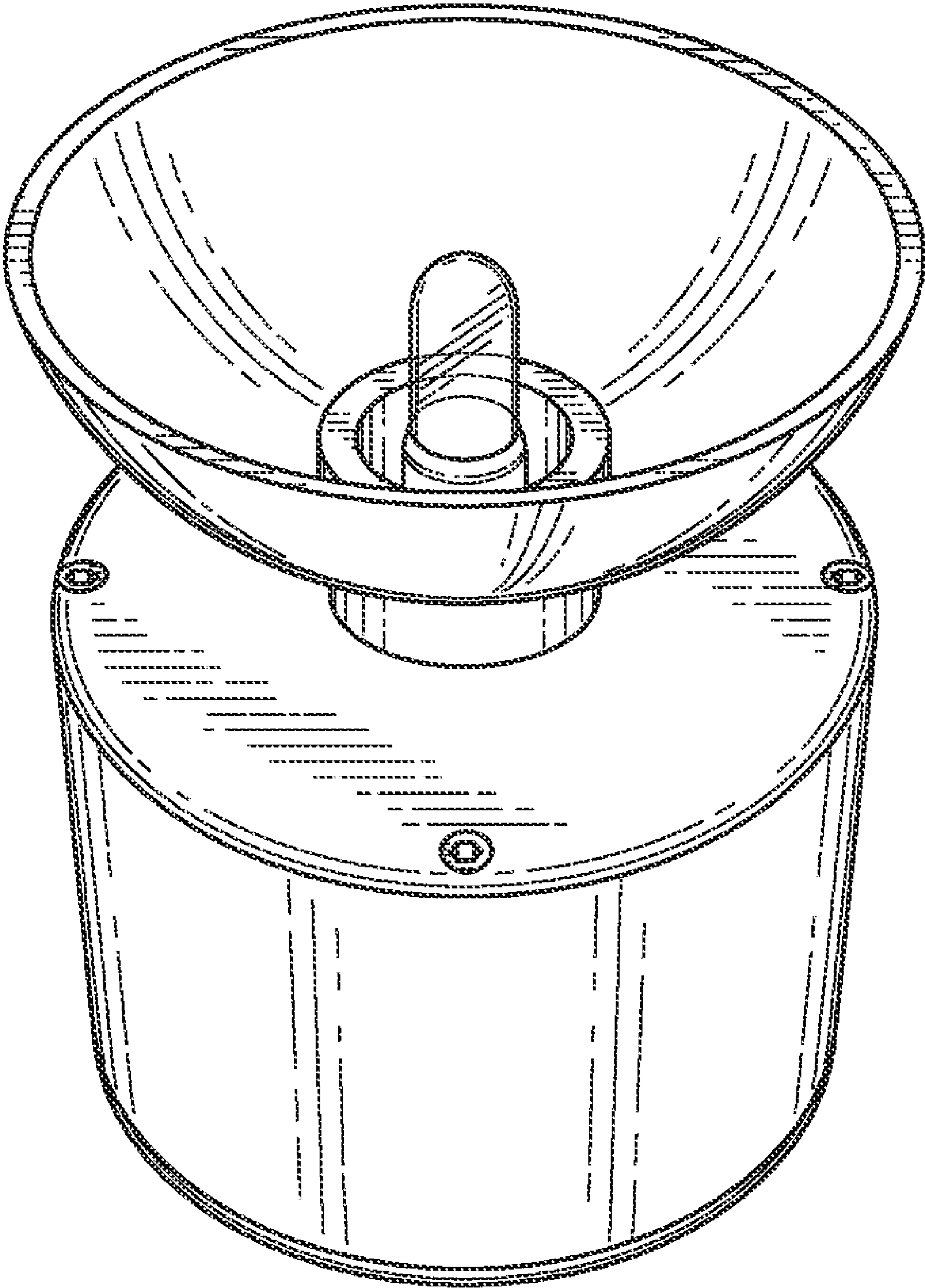


FIG. 1

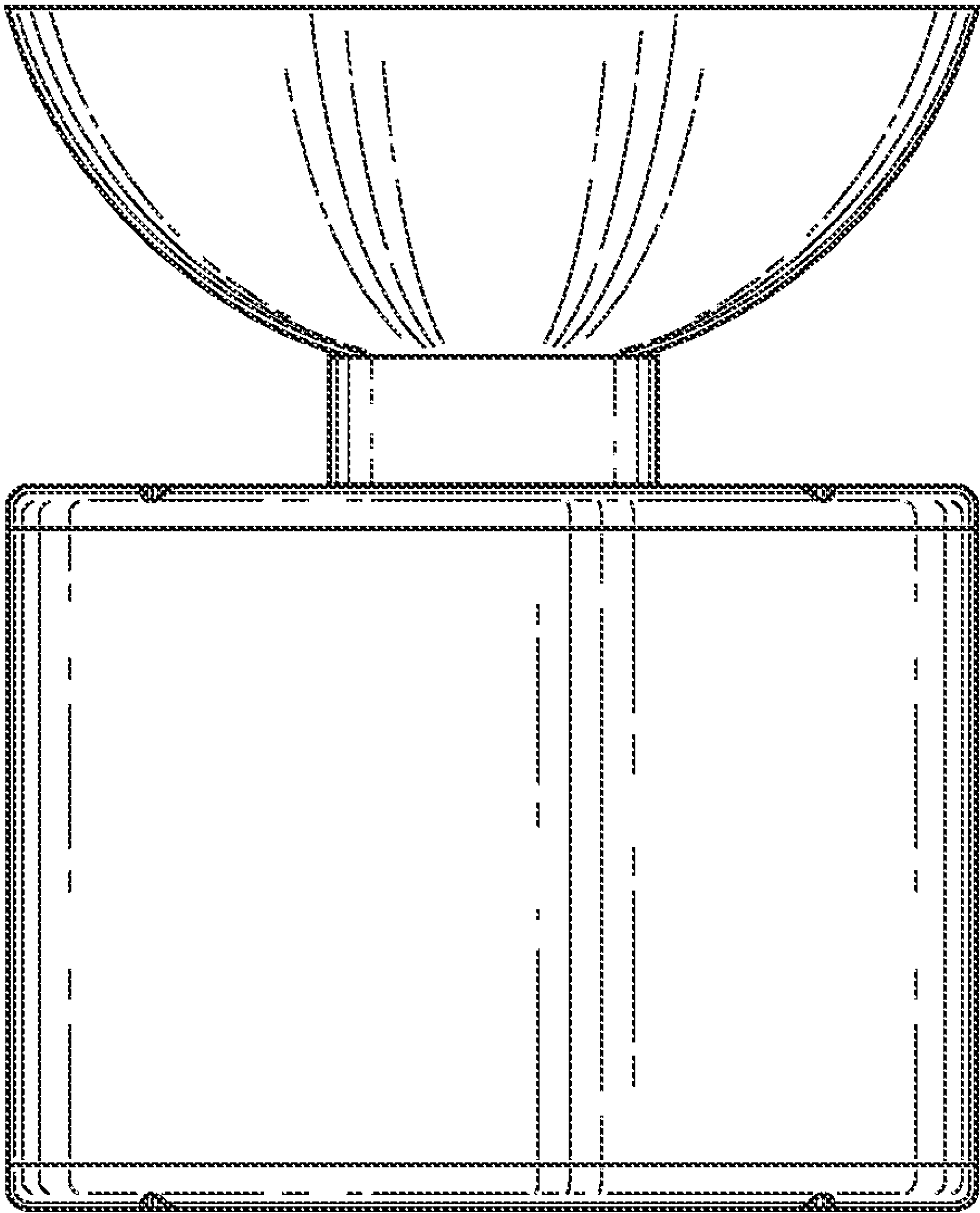


FIG. 2

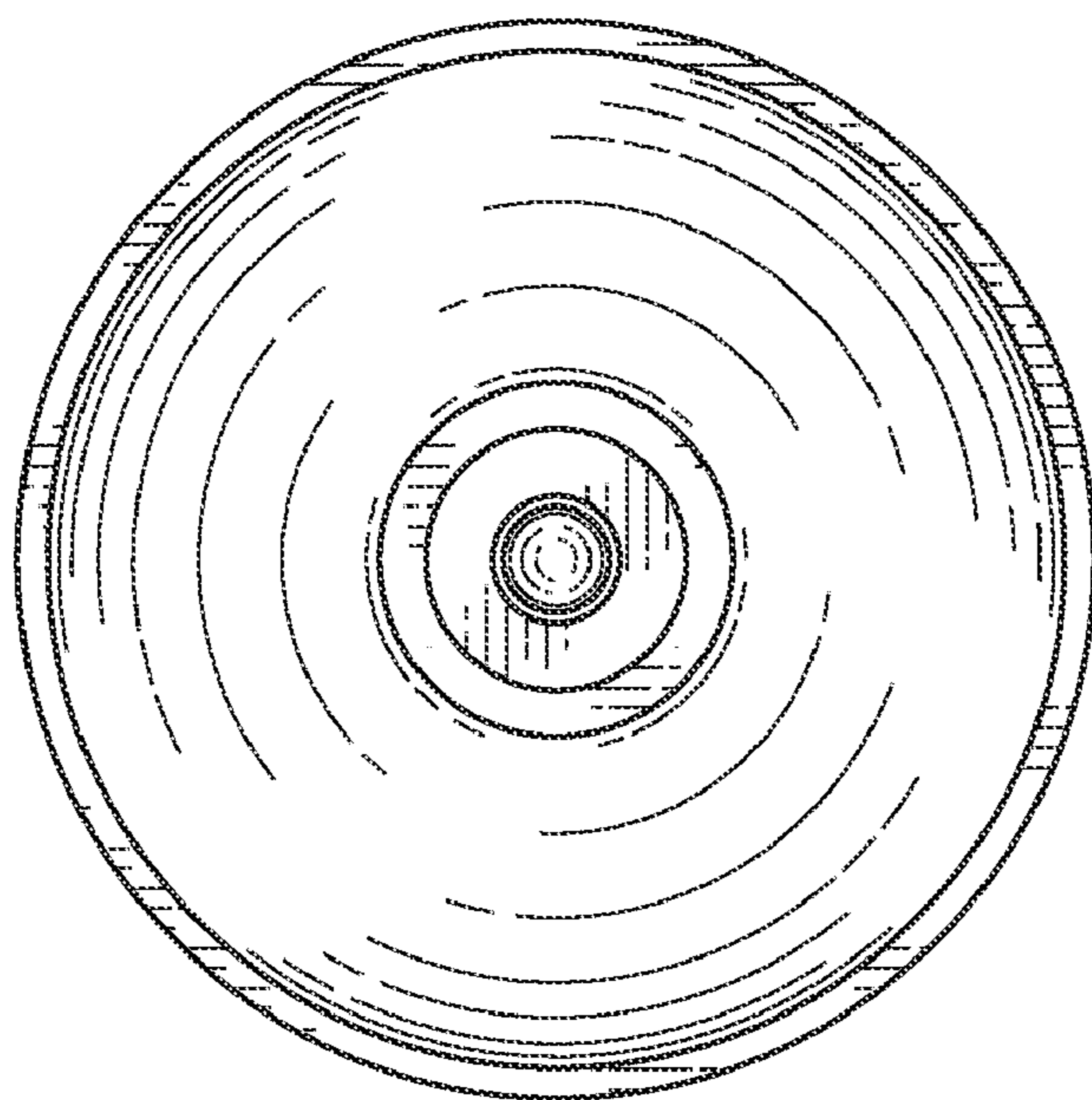


FIG. 3

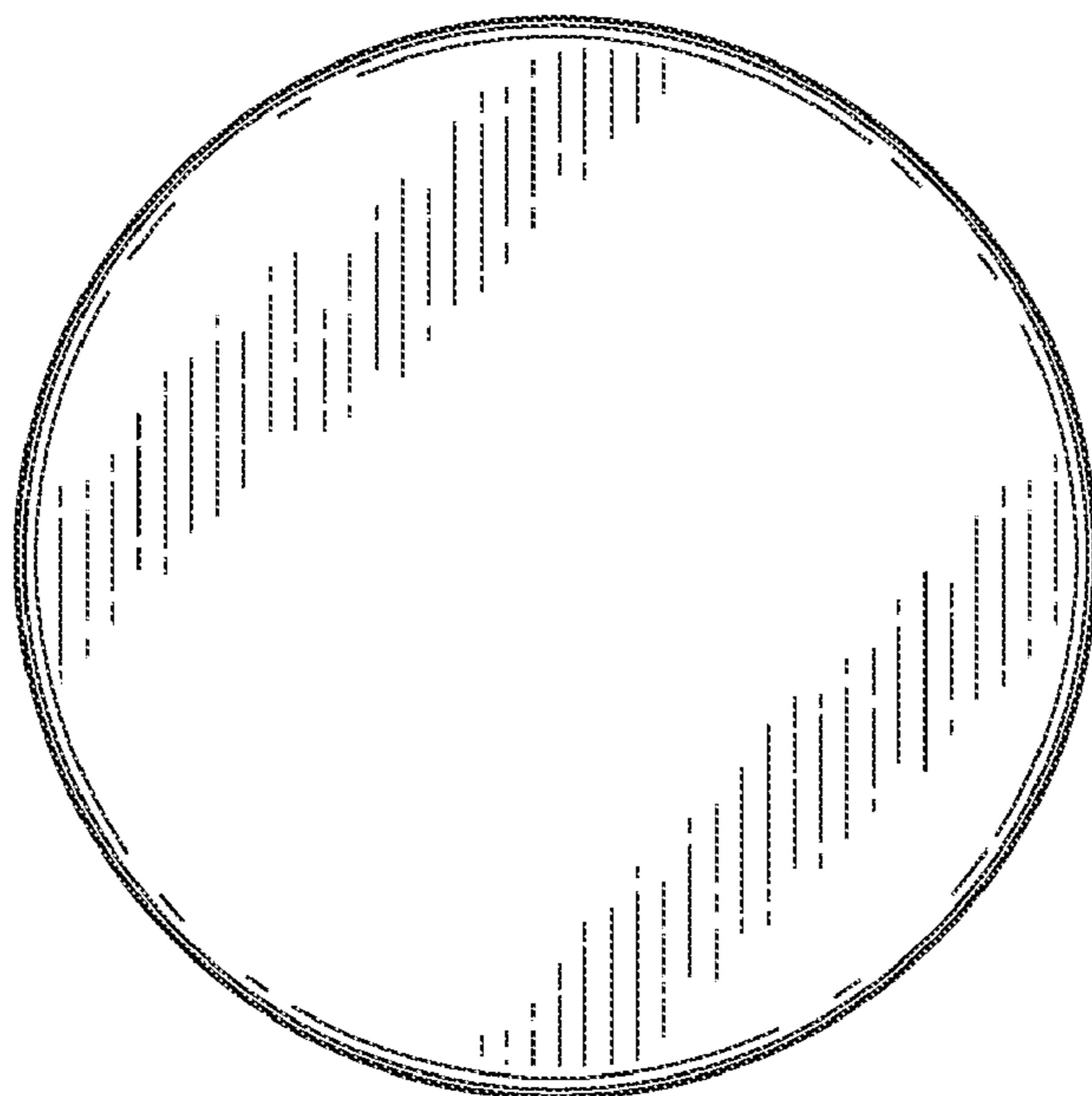


FIG. 4