



US00D612088S

(12) **United States Design Patent**
Wassel et al.

(10) **Patent No.:** **US D612,088 S**
(45) **Date of Patent:** **** Mar. 16, 2010**

(54) **ARC LIGHT**

(75) Inventors: **James J. Wassel**, Fombell, PA (US); **R. Douglas Falk**, Fombell, PA (US)

(73) Assignee: **Appalachian Lighting Systems, Inc.**, Ellwood City, PA (US)

(**) Term: **14 Years**

(21) Appl. No.: **29/342,284**

(22) Filed: **Aug. 21, 2009**

D364,478 S *	11/1995	Pesau	D26/76
D397,819 S *	9/1998	Thorton, Jr.	D26/77
5,845,988 A *	12/1998	Mandall	362/376
D414,287 S *	9/1999	Sapper	D26/76
6,161,939 A *	12/2000	Bansbach	362/223
6,382,817 B1 *	5/2002	Chelf	362/322
D465,049 S *	10/2002	Ludwig	D26/78
D483,510 S *	12/2003	Fritze et al.	D26/75
D505,221 S *	5/2005	Hetfield	D26/76
D513,439 S *	1/2006	Hetfield	D26/76
D544,628 S *	6/2007	Quintal	D26/76
D564,127 S *	3/2008	Pandorf et al.	D26/118
D569,026 S *	5/2008	Silver	D26/76

* cited by examiner

Related U.S. Application Data

(62) Division of application No. 29/287,931, filed on Oct. 3, 2007, now abandoned.

(51) **LOC (9) Cl.** **26-03**

(52) **U.S. Cl.** **D26/76**

(58) **Field of Classification Search** D26/3,
D26/37, 67, 72, 74-79, 81-92, 118, 120;
362/147, 217-225, 132, 243, 260-263, 267,
362/283, 311, 337, 364, 806; 326/311; D23/372,
D23/328, 385
See application file for complete search history.

(56) **References Cited**

U.S. PATENT DOCUMENTS

2,487,468 A *	11/1949	Naysmith	362/221
2,678,380 A *	5/1954	Westby	362/220
3,673,402 A *	6/1972	Weiss	362/220
4,499,529 A *	2/1985	Figueroa	362/283
5,357,413 A *	10/1994	Mandall	362/300

Primary Examiner—Philip S Hyder
Assistant Examiner—Susan E Krakower
(74) *Attorney, Agent, or Firm*—Arent Fox LLP

(57) **CLAIM**

The ornamental design for an arc light, as shown and described.

DESCRIPTION

FIG. 1 is a perspective view of an arc light in accordance with the present invention;

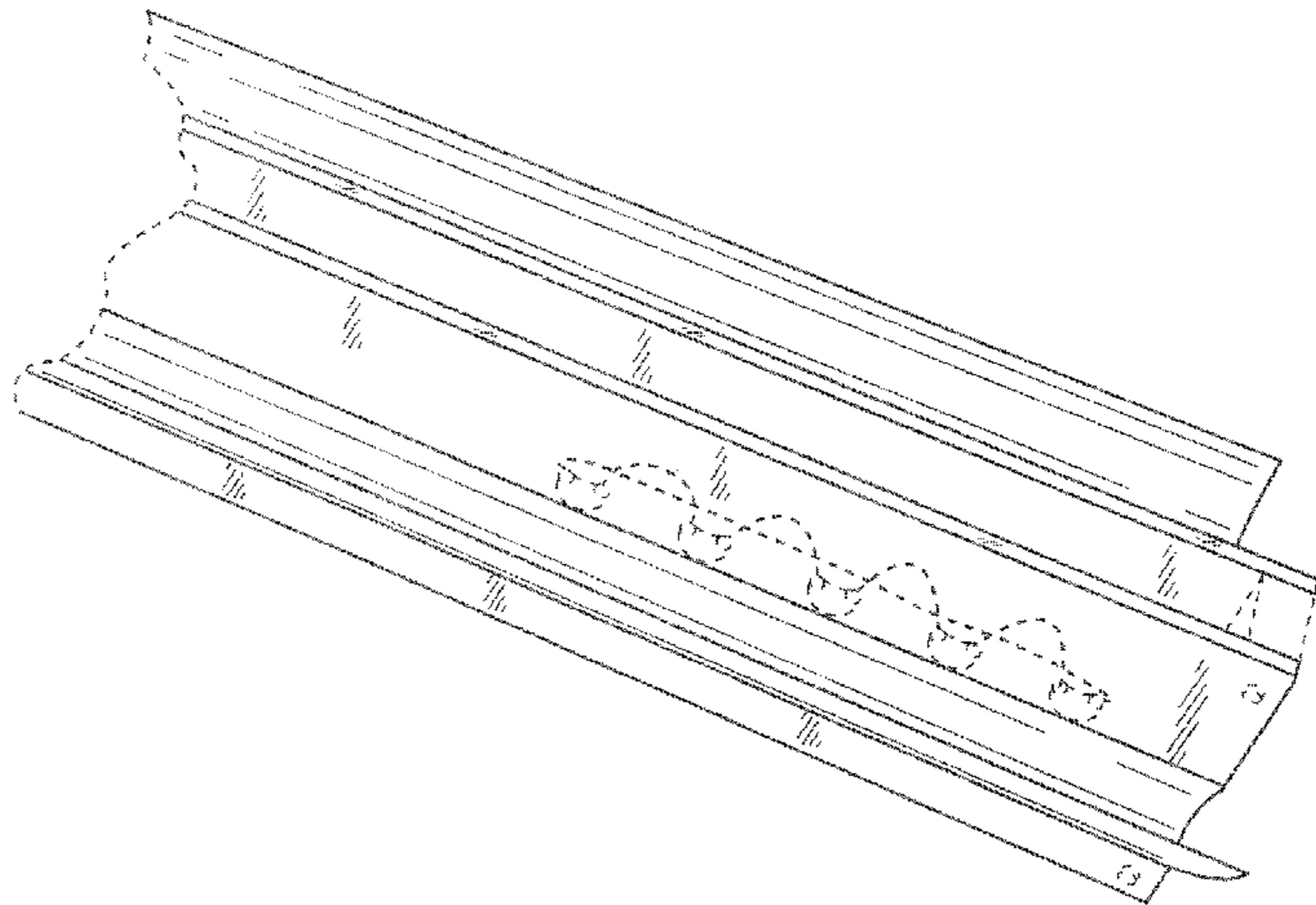
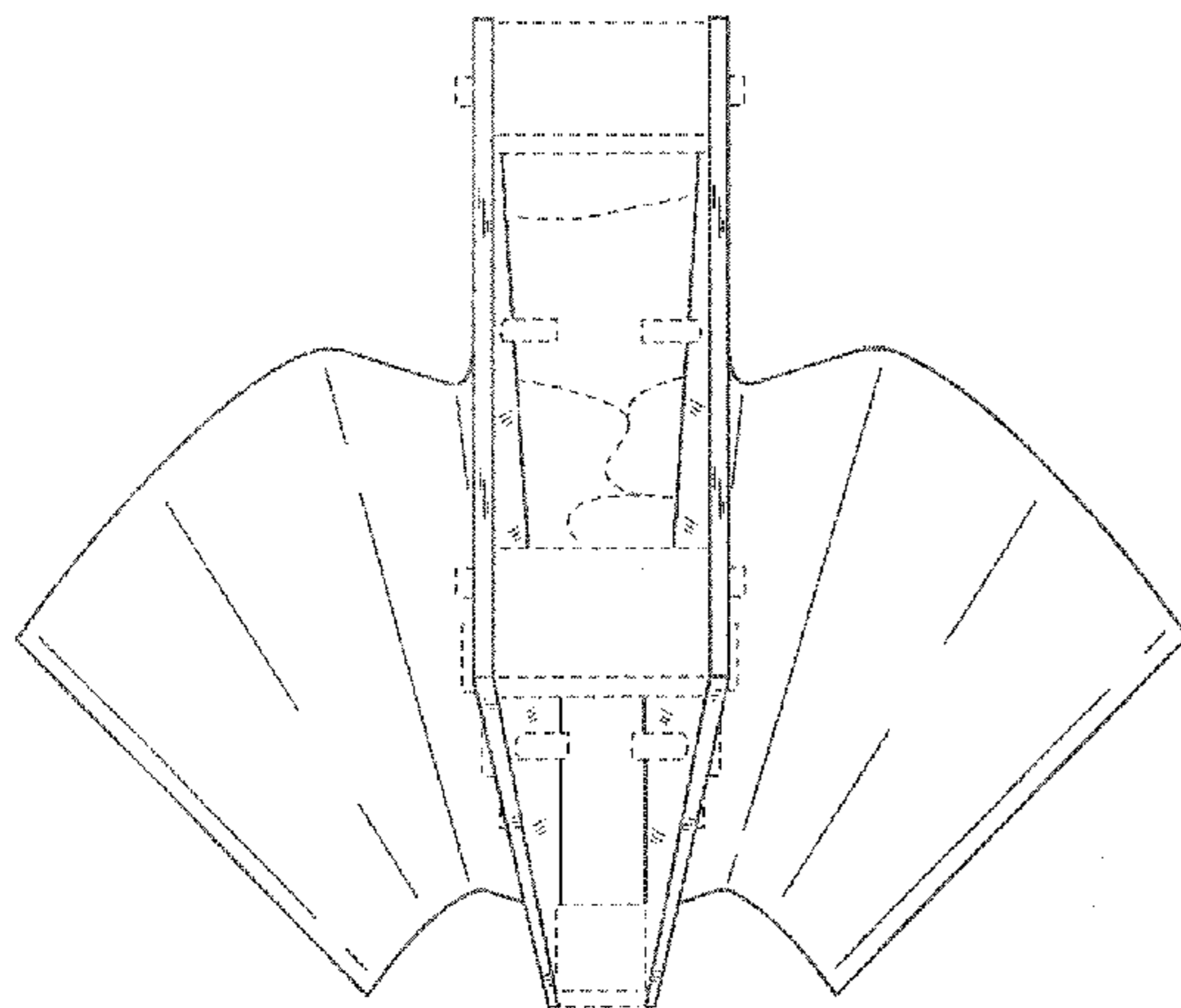
FIG. 2 is a bottom view of the arc light of FIG. 1;

FIG. 3 is a top view of the arc light of FIG. 1;

FIG. 4 is a side view of the arc light of FIG. 1; and,

FIG. 5 is a partial side-bottom perspective view of the arc light of FIG. 1.

1 Claim, 5 Drawing Sheets



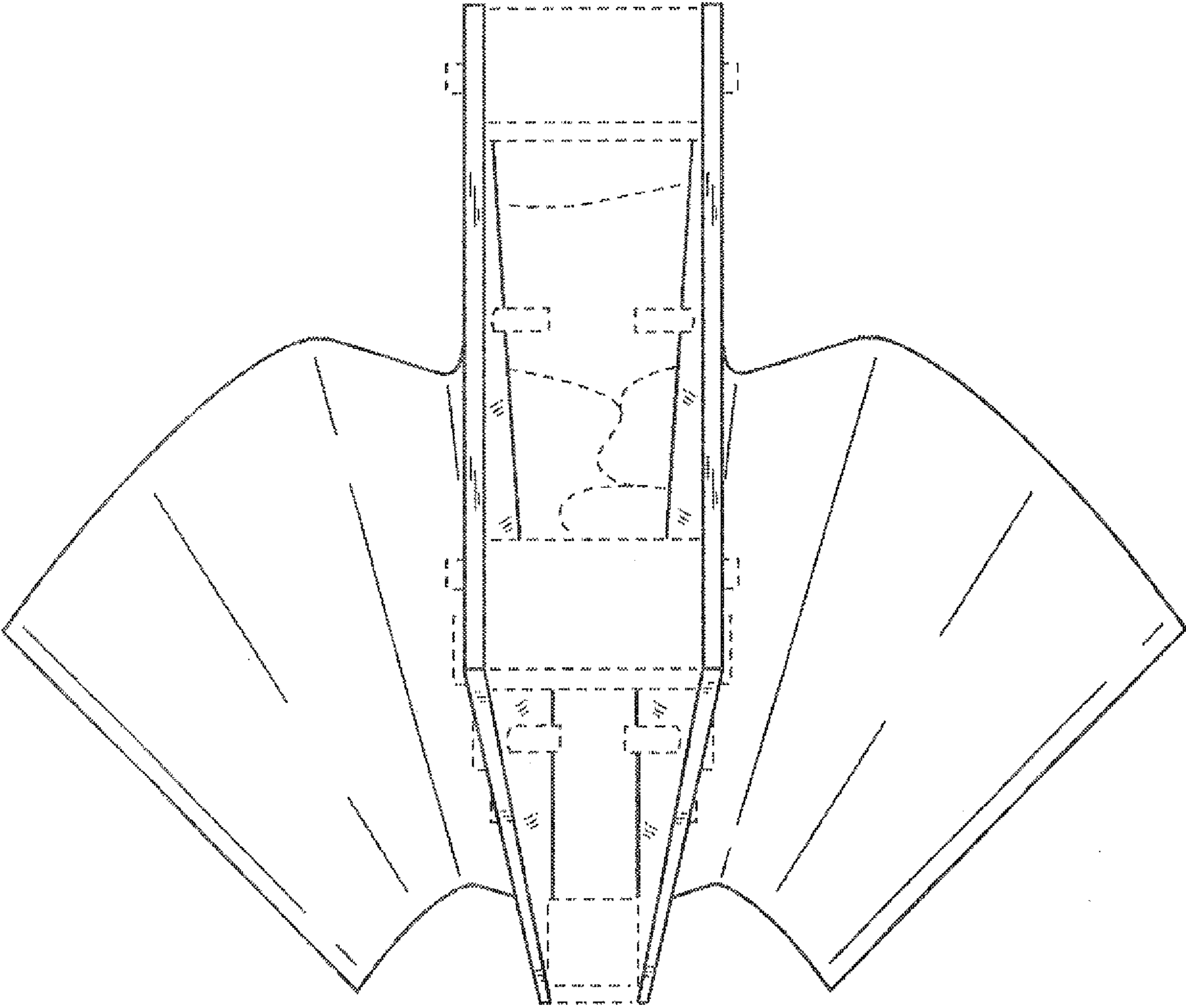


FIG. 1

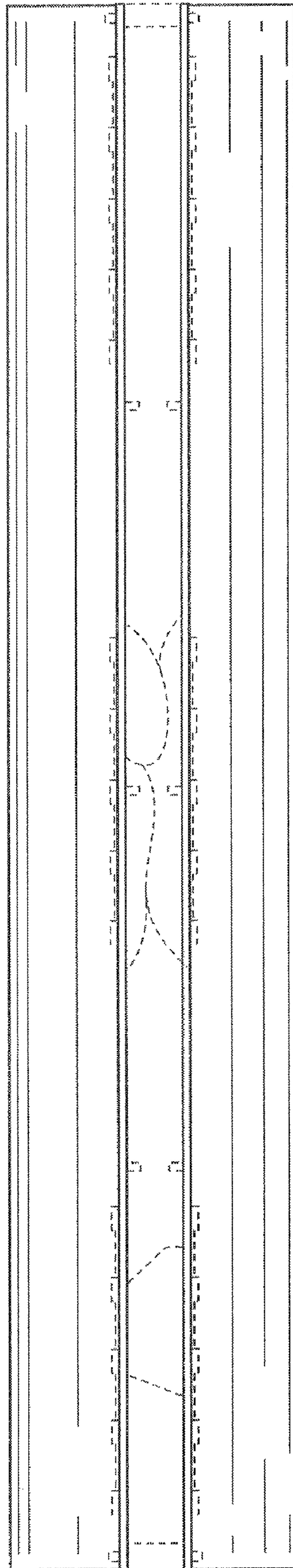


FIG.2

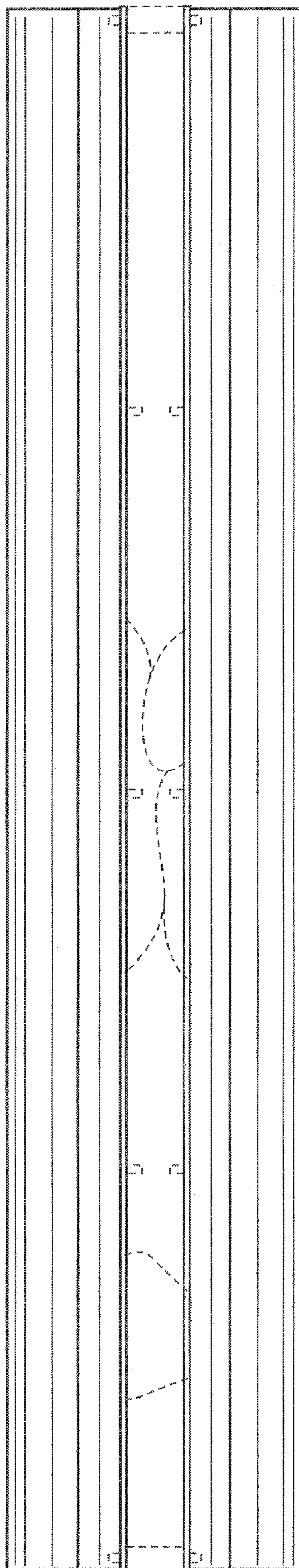


FIG. 3

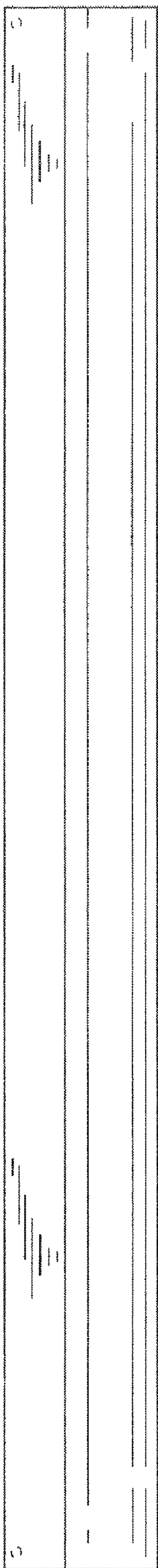


FIG.4

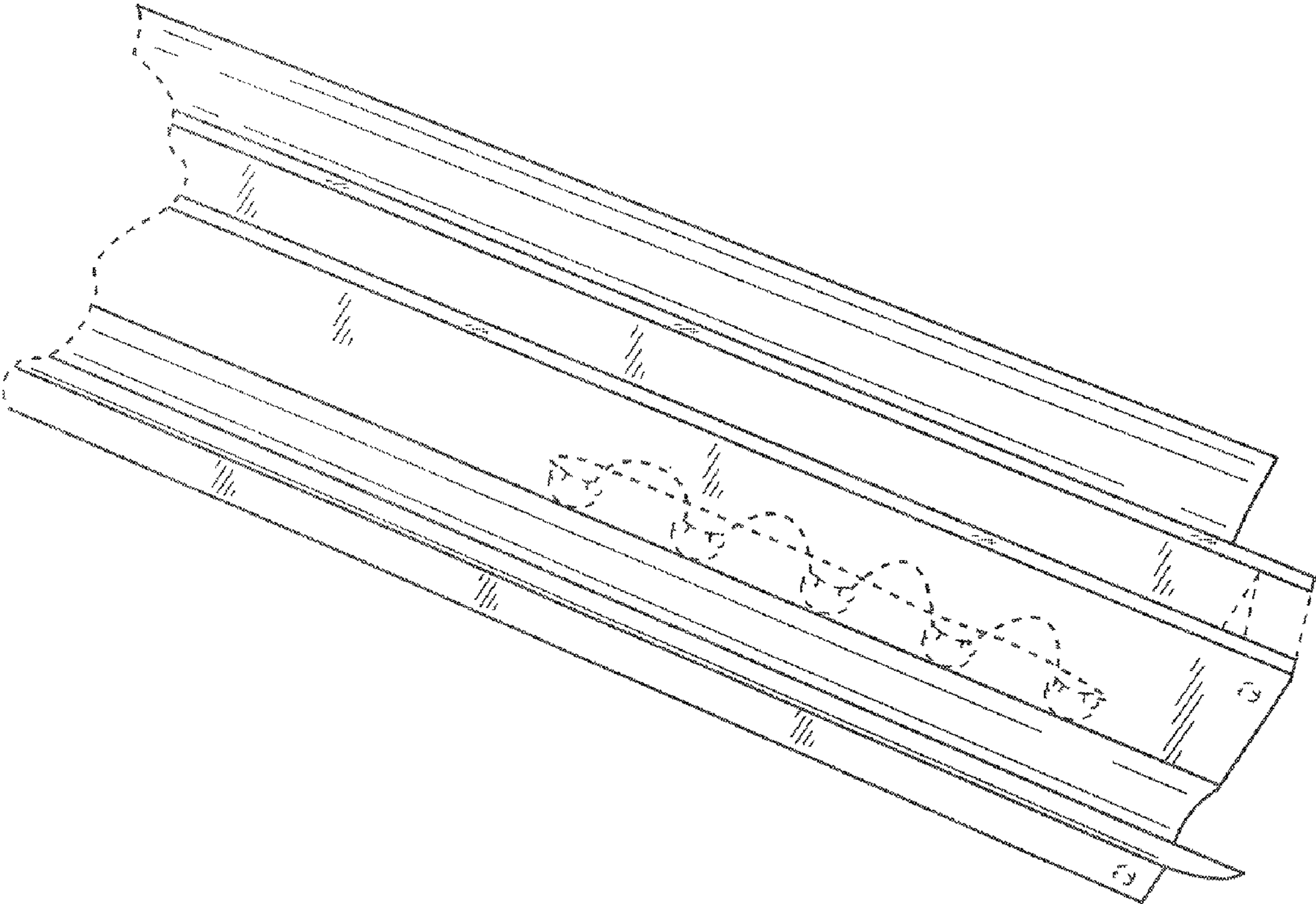


FIG.5