



US00D612082S

(12) **United States Design Patent**
Chang

(10) **Patent No.:** **US D612,082 S**
(45) **Date of Patent:** **** Mar. 16, 2010**

(54) **DISPLAY DEVICE**

6,894,663 B1 * 5/2005 Altman 345/31
D509,257 S * 9/2005 Yamamoto D21/398
7,030,420 B2 * 4/2006 Shimomura et al. 257/88

(75) Inventor: **Hsu-Ming Chang**, Chung ho (TW)

(73) Assignees: **Milli-Henry Enterprise Co.**, Taipei (TW); **Milli-Henry Technology Inc.**, Dong Guan (CN); **Waterbear Technology Co. Ltd.**, Taoyuan (TW)

* cited by examiner

Primary Examiner—Ian Simmons
Assistant Examiner—Dana L Sipos

(**) Term: **14 Years**

(74) *Attorney, Agent, or Firm*—Ingrassia Fisher & Lorenz, P.C.

(21) Appl. No.: **29/298,154**

(57) **CLAIM**

(22) Filed: **Nov. 29, 2007**

The ornamental design for a display device, as substantially shown and described.

(30) **Foreign Application Priority Data**

DESCRIPTION

Jul. 17, 2007 (TW) 96303936

(51) **LOC (9) Cl.** **26-02**

FIG. 1 is a bottom, front, left side perspective view of a display device showing my new design;

(52) **U.S. Cl.** **D26/38; D21/398**

FIG. 2 is a front elevation view thereof;

(58) **Field of Classification Search** D20/10, D20/12, 21, 99; D26/37, 43–44, 50; D10/111, D10/114; D21/324, 398, 401–402, 468; 345/31, 33, 39, 44, 46, 55, 59, 82; 340/815.4, 340/815.45, 815.53

FIG. 3 is a left side elevation view thereof;

See application file for complete search history.

FIG. 4 is a right side elevation view thereof;

(56) **References Cited**

FIG. 5 is a top plan view thereof;

U.S. PATENT DOCUMENTS

FIG. 6 is a bottom plan view thereof;

- 5,406,300 A * 4/1995 Tokimoto et al. 345/31
- 5,444,456 A * 8/1995 Ohta et al. 345/39
- 5,670,971 A * 9/1997 Tokimoto et al. 345/31
- 6,037,876 A * 3/2000 Crouch 340/815.53
- D430,228 S * 8/2000 Chu D21/401
- 6,239,774 B1 * 5/2001 Altman 345/31
- 6,249,998 B1 * 6/2001 NakaMats 40/452
- 6,265,984 B1 * 7/2001 Molinaroli 340/815.4
- 6,486,858 B1 * 11/2002 Altman 345/31
- D487,231 S * 3/2004 Sohn D10/109

FIG. 7 is a rear elevation view thereof;

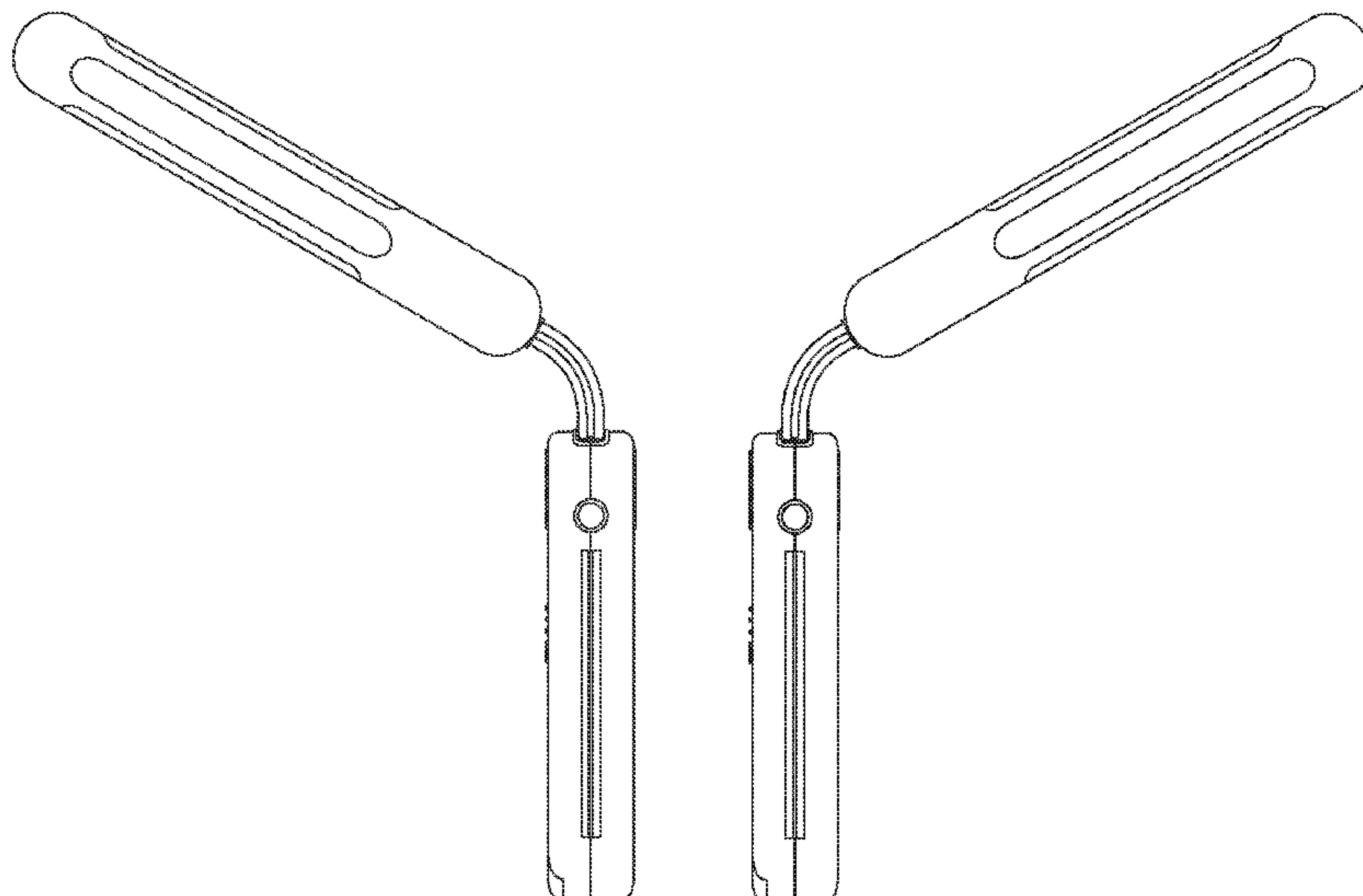
FIG. 8 is a front elevation view thereof, showing the top portion of the display device in an alternate position; and,

FIG. 9 is a front elevation view thereof showing the top portion of the display device in another alternate position.

The upper portion of the display device, shown in alternate position in FIGS. 8 & 9, swings back and forth projecting an illuminated alphanumeric message.

The broken lines in the drawings illustrate the portions of the design that form no part of the claim.

1 Claim, 8 Drawing Sheets



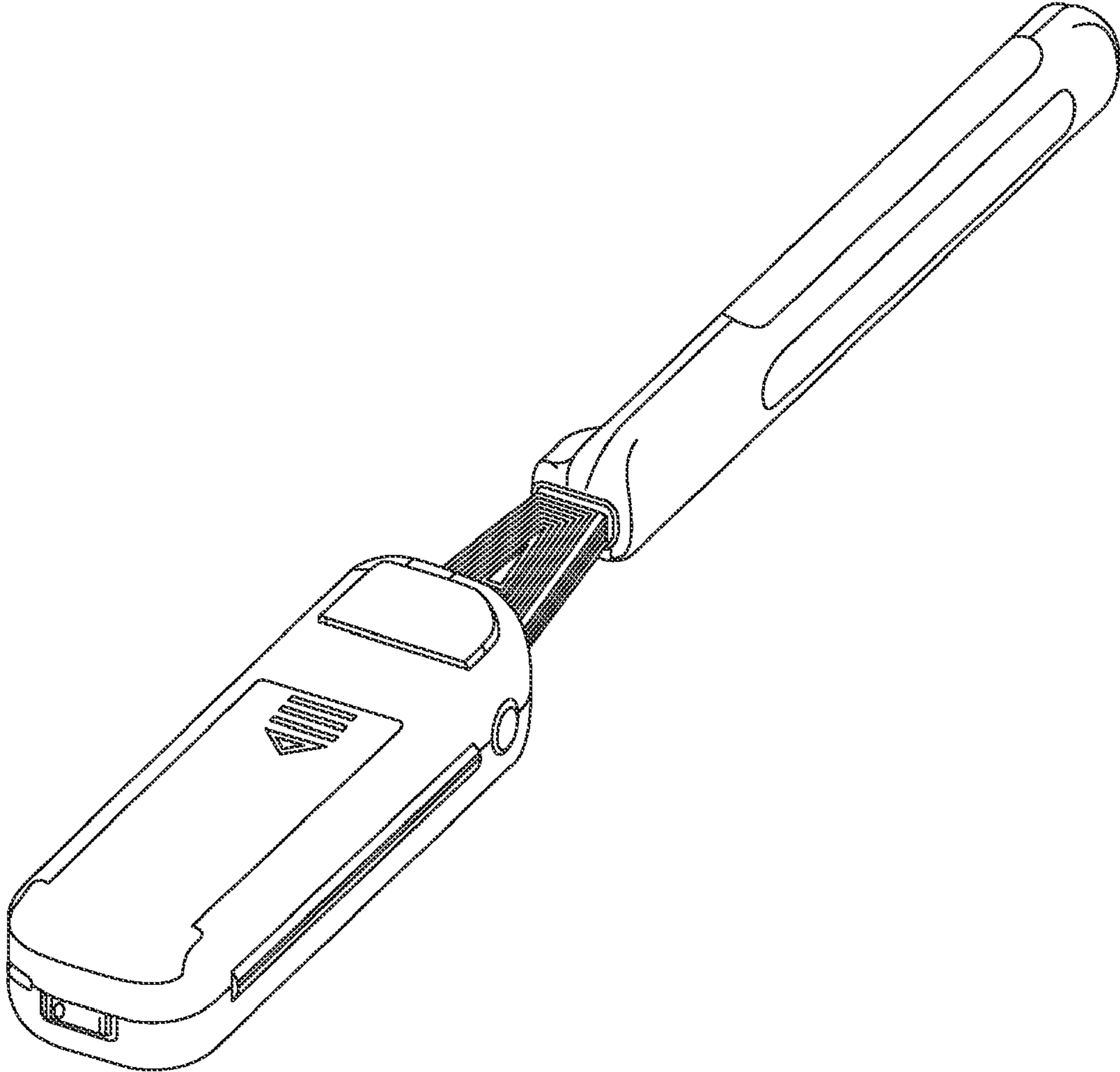


FIG. 1

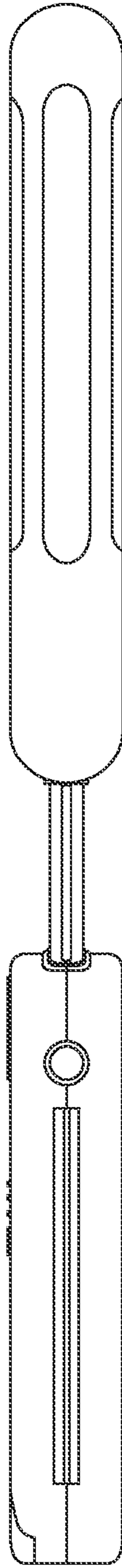


FIG.2

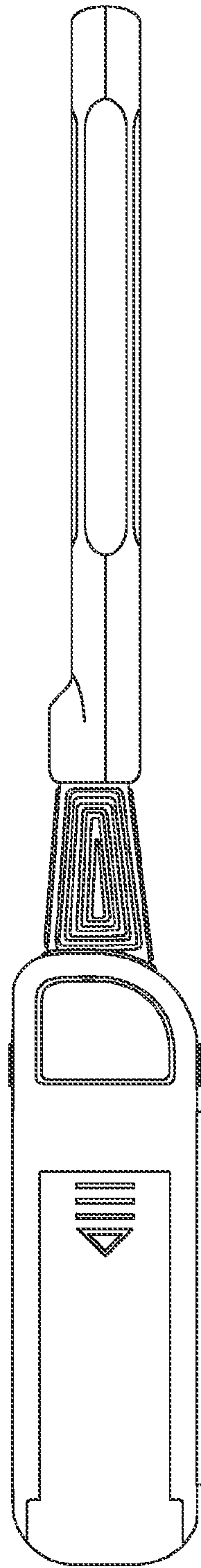


FIG.3

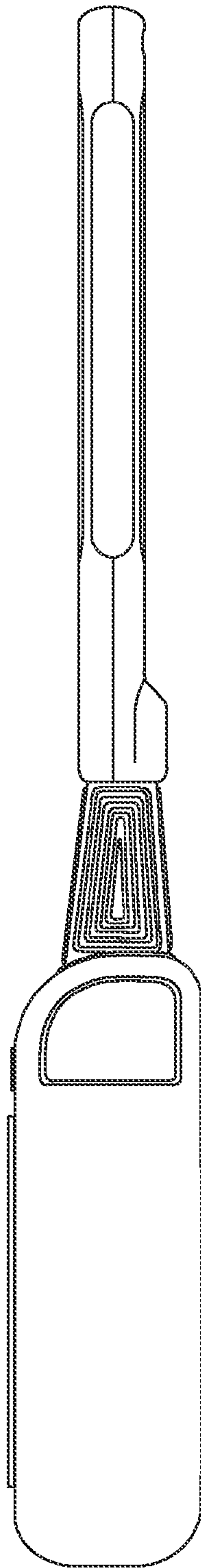


FIG.4

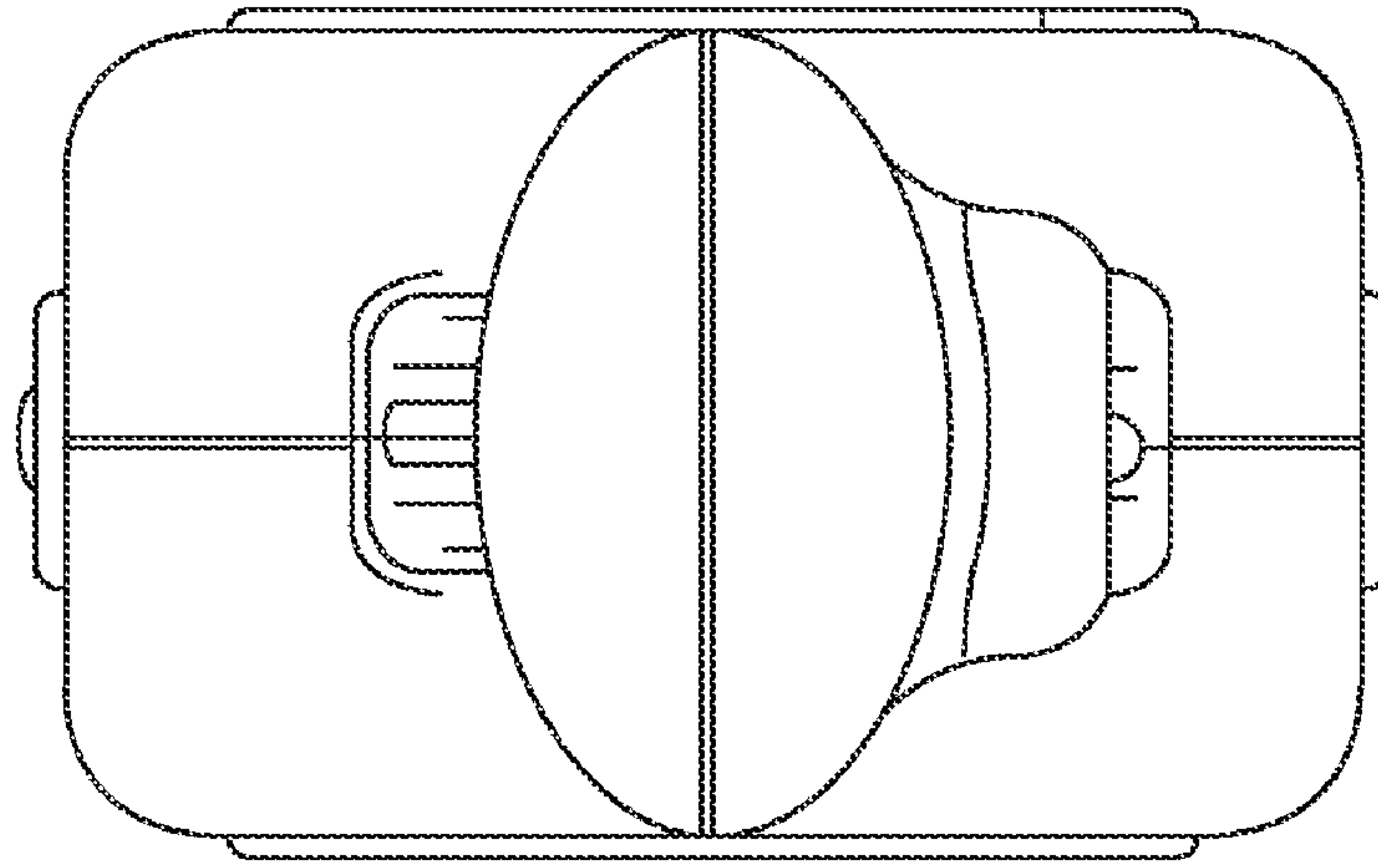


FIG. 5

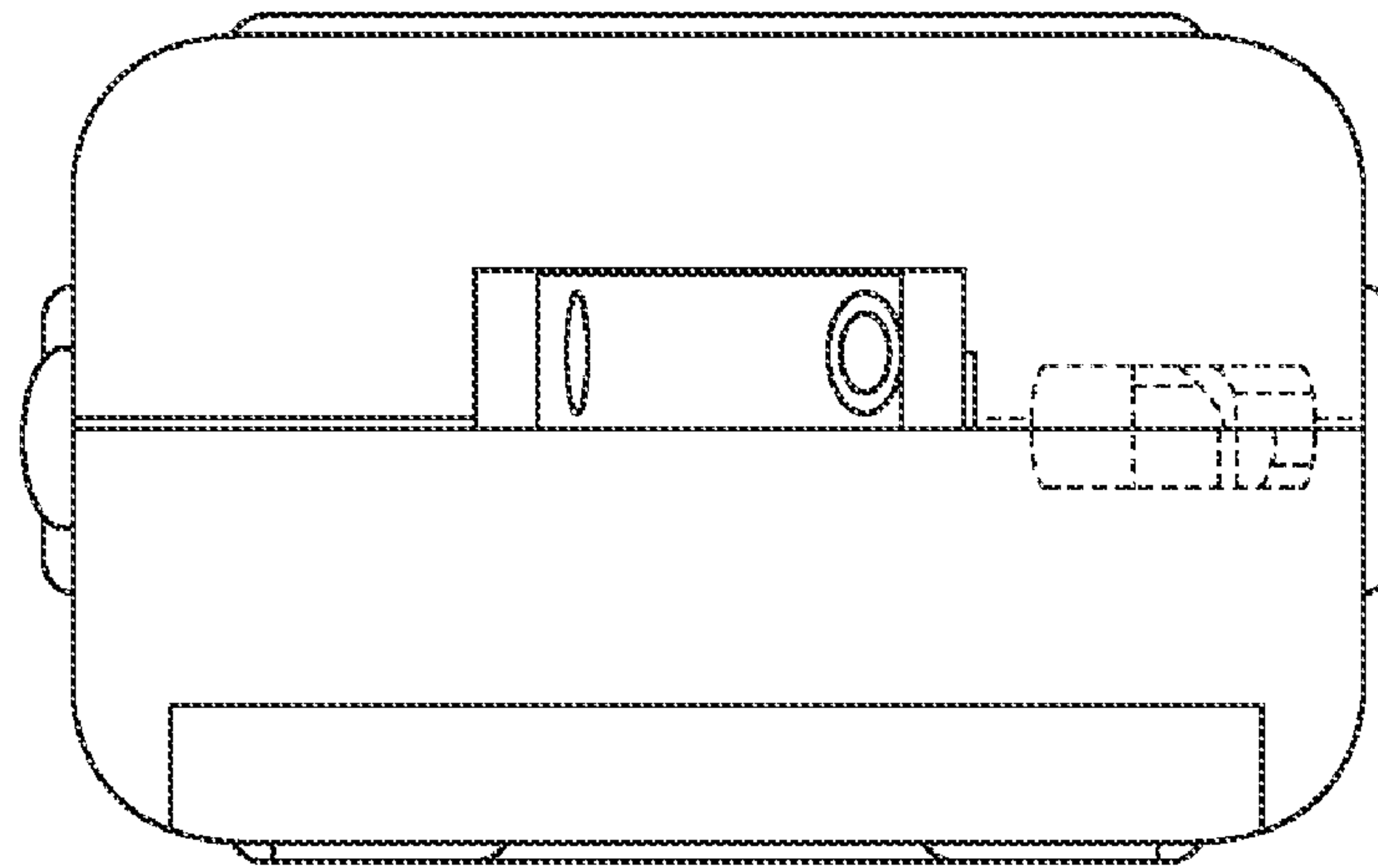


FIG. 6

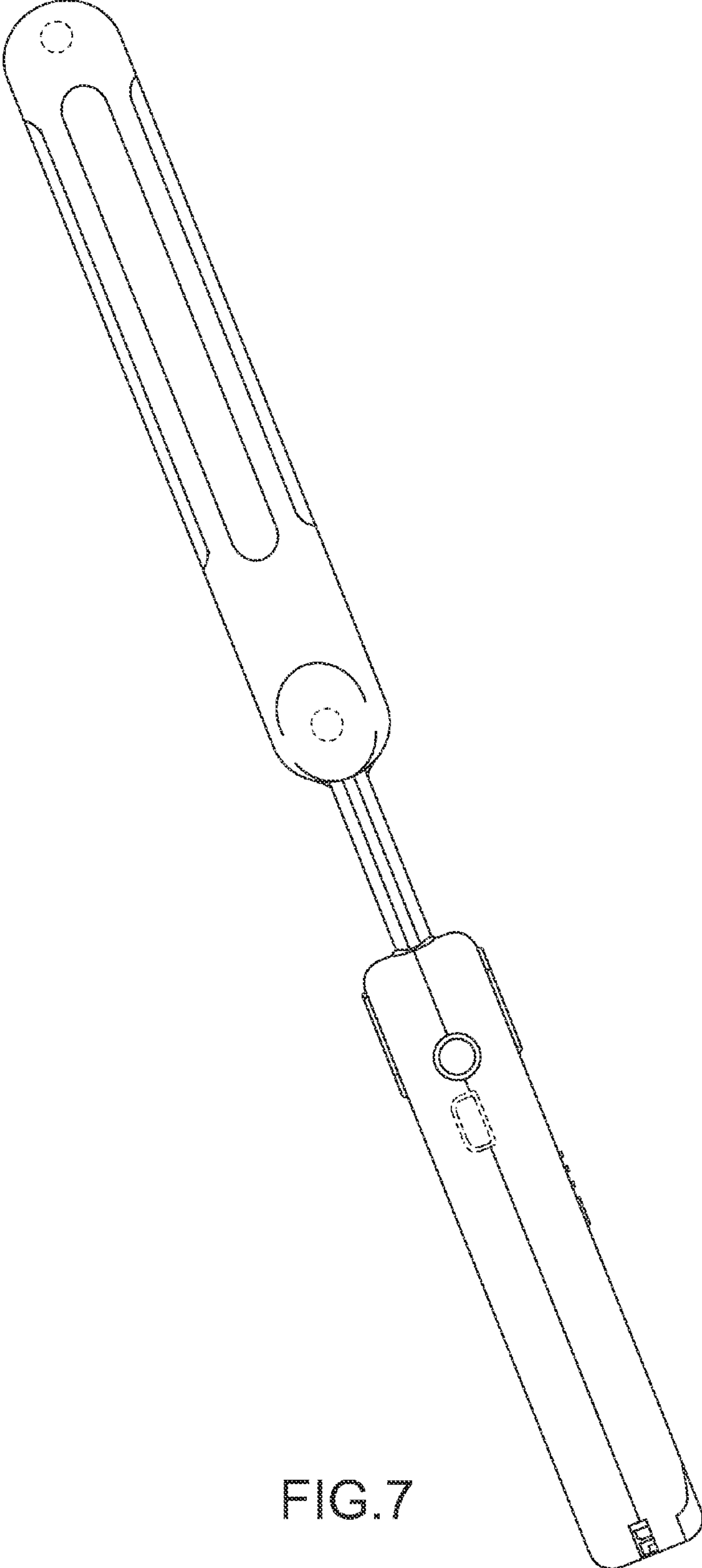


FIG. 7

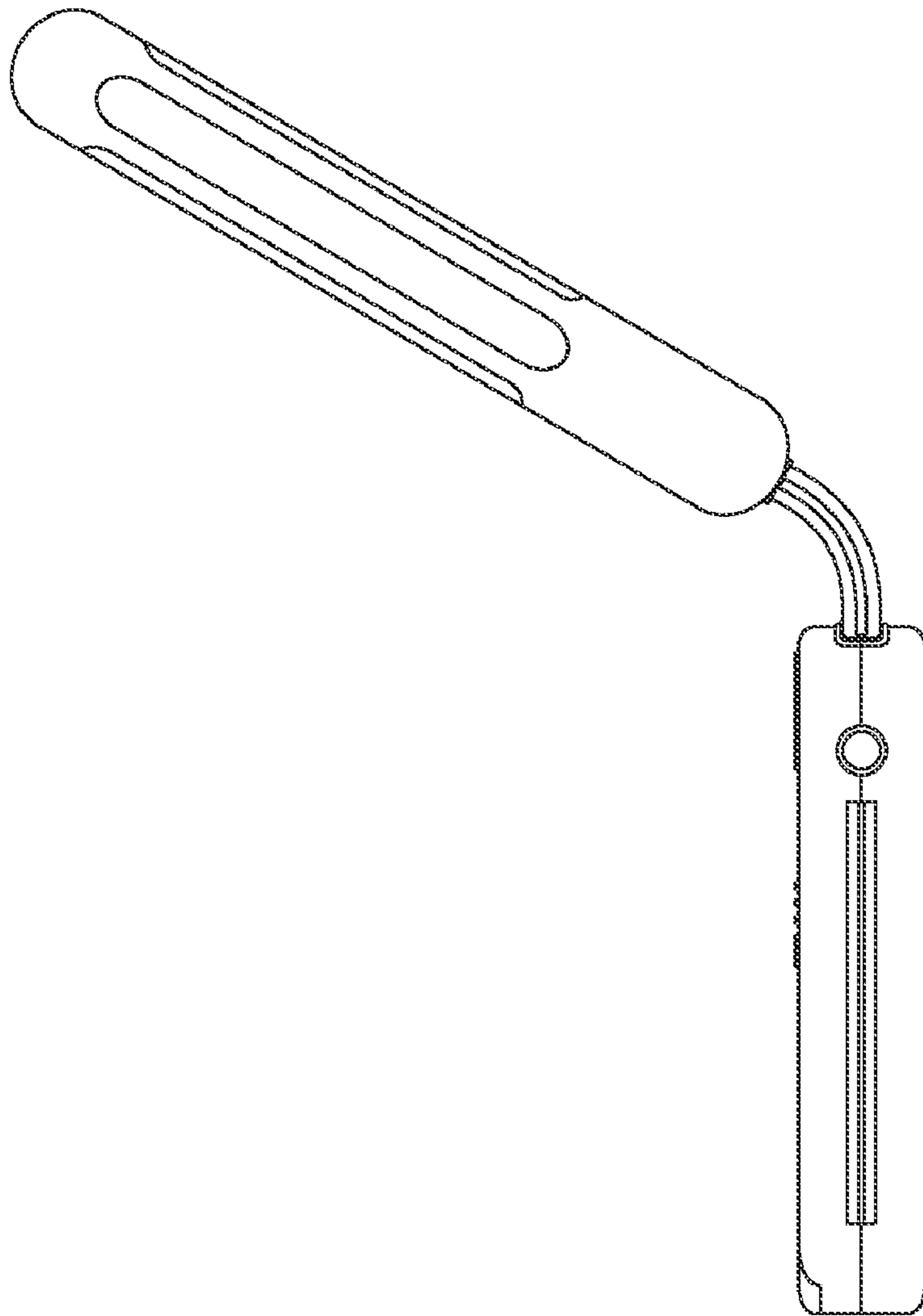


FIG.8

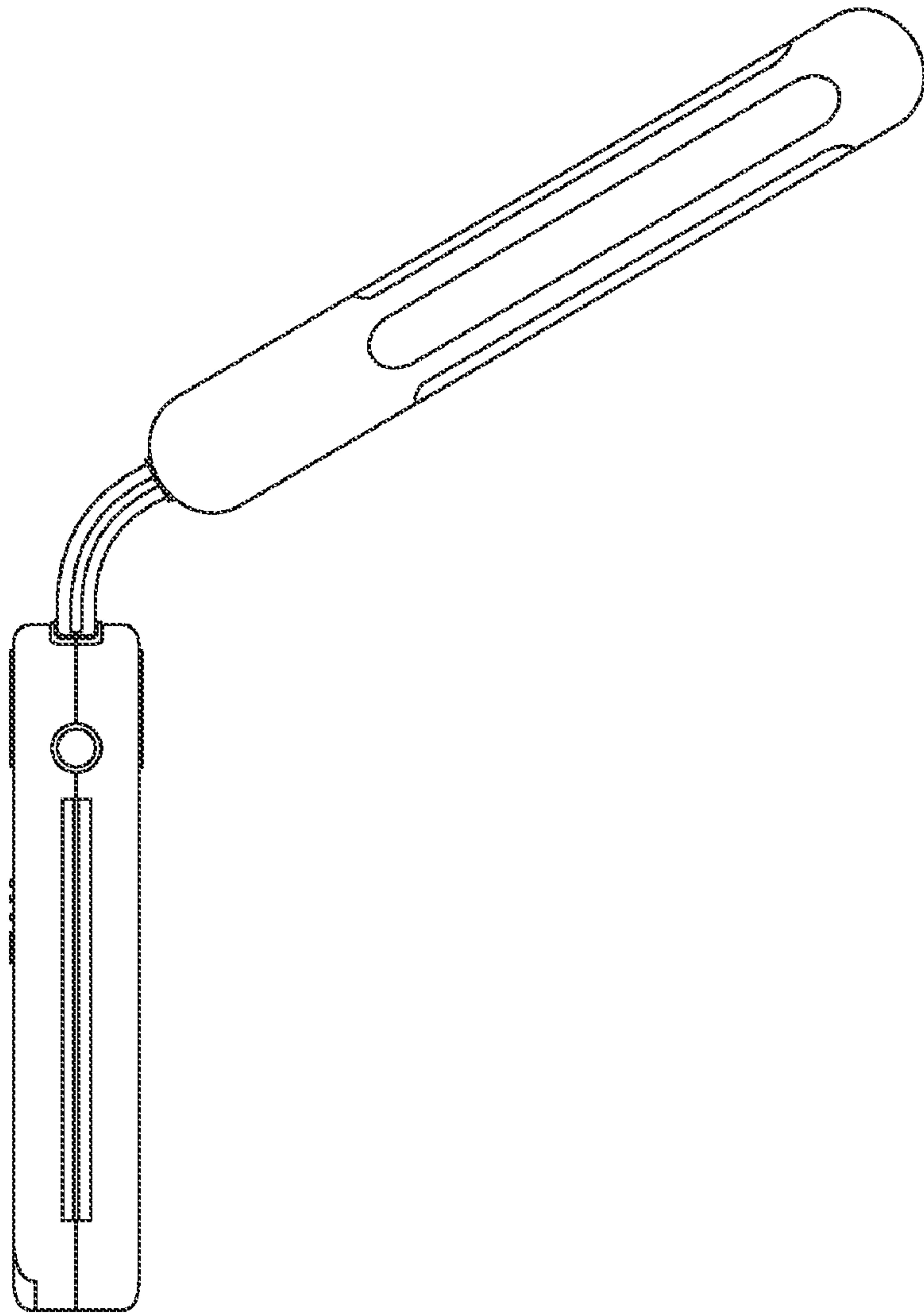


FIG. 9