



US00D612080S

(12) **United States Design Patent**  
**Lou et al.**

(10) **Patent No.:** **US D612,080 S**  
(45) **Date of Patent:** **\*\* Mar. 16, 2010**

(54) **REAR LAMP**

D570,015 S \* 5/2008 Hsu ..... D26/28

(75) Inventors: **Tan Lou**, Shenzhen (CN); **Yuanyuan Guo**, Shenzhen (CN); **Shixiang Sun**, Shenzhen (CN)

\* cited by examiner

*Primary Examiner*—Marcus A Jackson  
(74) *Attorney, Agent, or Firm*—Morgan Lewis & Bockius LLP

(73) Assignee: **BYD Company Ltd.**, Shenzhen (CN)

(\*\*) Term: **14 Years**

(57) **CLAIM**

(21) Appl. No.: **29/343,012**

The ornamental design for a rear lamp, substantially as shown and described.

(22) Filed: **Sep. 4, 2009**

**DESCRIPTION**

(51) **LOC (9) Cl.** ..... **26-04**

FIG. 1 is a front view of a rear lamp in accordance with the present design;

(52) **U.S. Cl.** ..... **D26/28**

FIG. 2 is a rear view of a rear lamp;

(58) **Field of Classification Search** ..... D26/28-36;  
362/459-468, 475-478, 485-487

FIG. 3 is a left side view of a rear lamp;

See application file for complete search history.

FIG. 4 is a right side view of a rear lamp;

(56) **References Cited**

FIG. 5 is a top view of a rear lamp;

**U.S. PATENT DOCUMENTS**

FIG. 6 is a bottom view of a rear lamp; and,

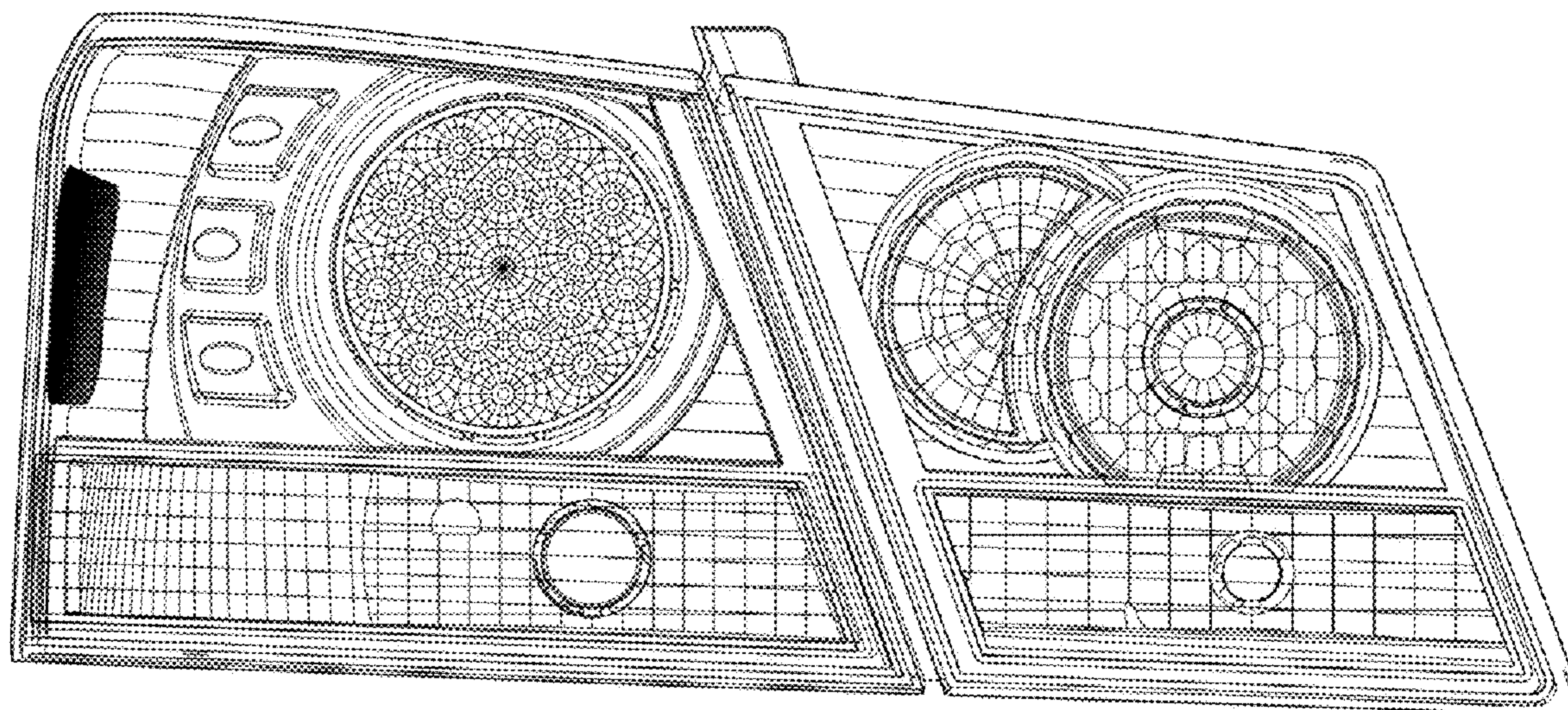
D553,268 S \* 10/2007 Pfeiffer ..... D26/28

FIG. 7 is a perspective view of a rear lamp.

D560,292 S \* 1/2008 Sato ..... D26/28

D565,211 S \* 3/2008 Haller et al. .... D26/28

**1 Claim, 4 Drawing Sheets**





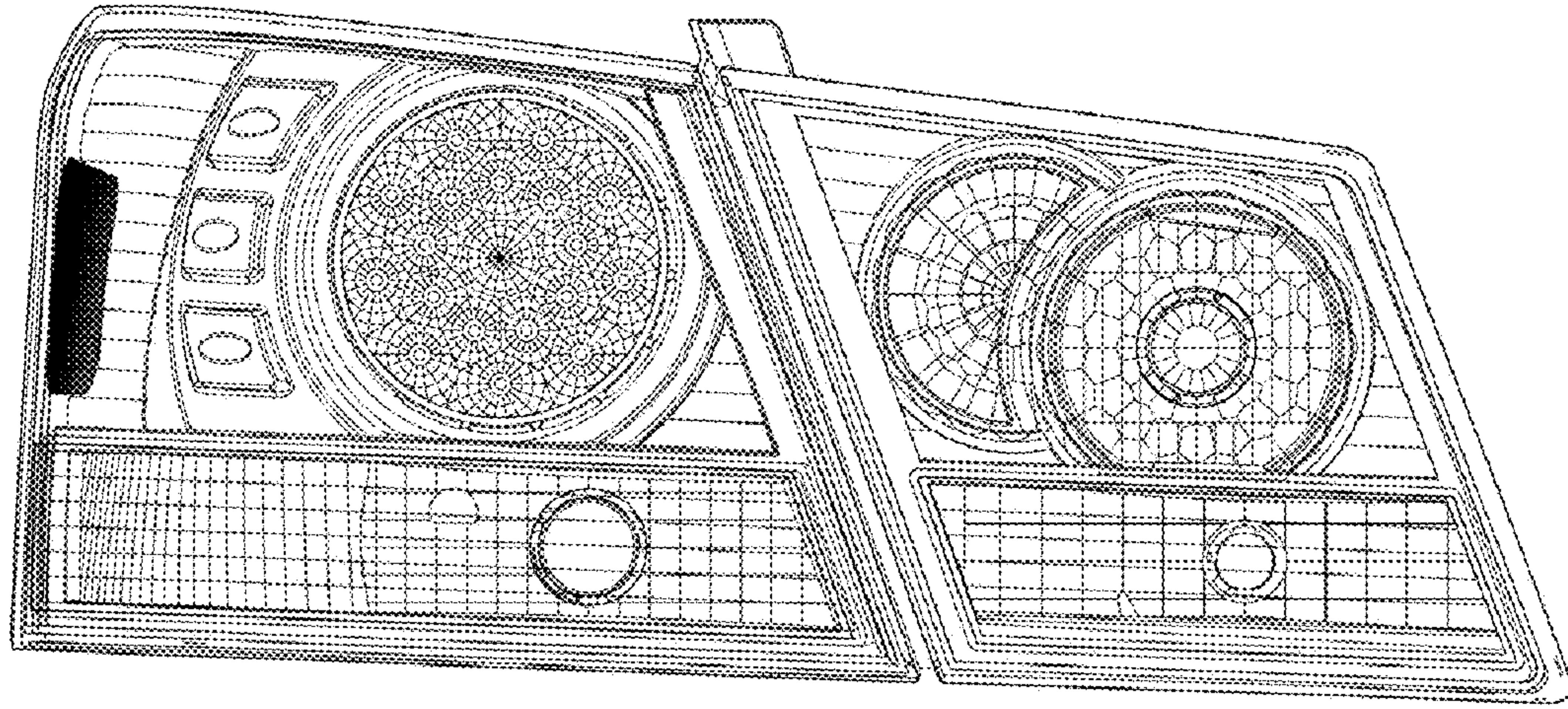


Fig. 1 Front View

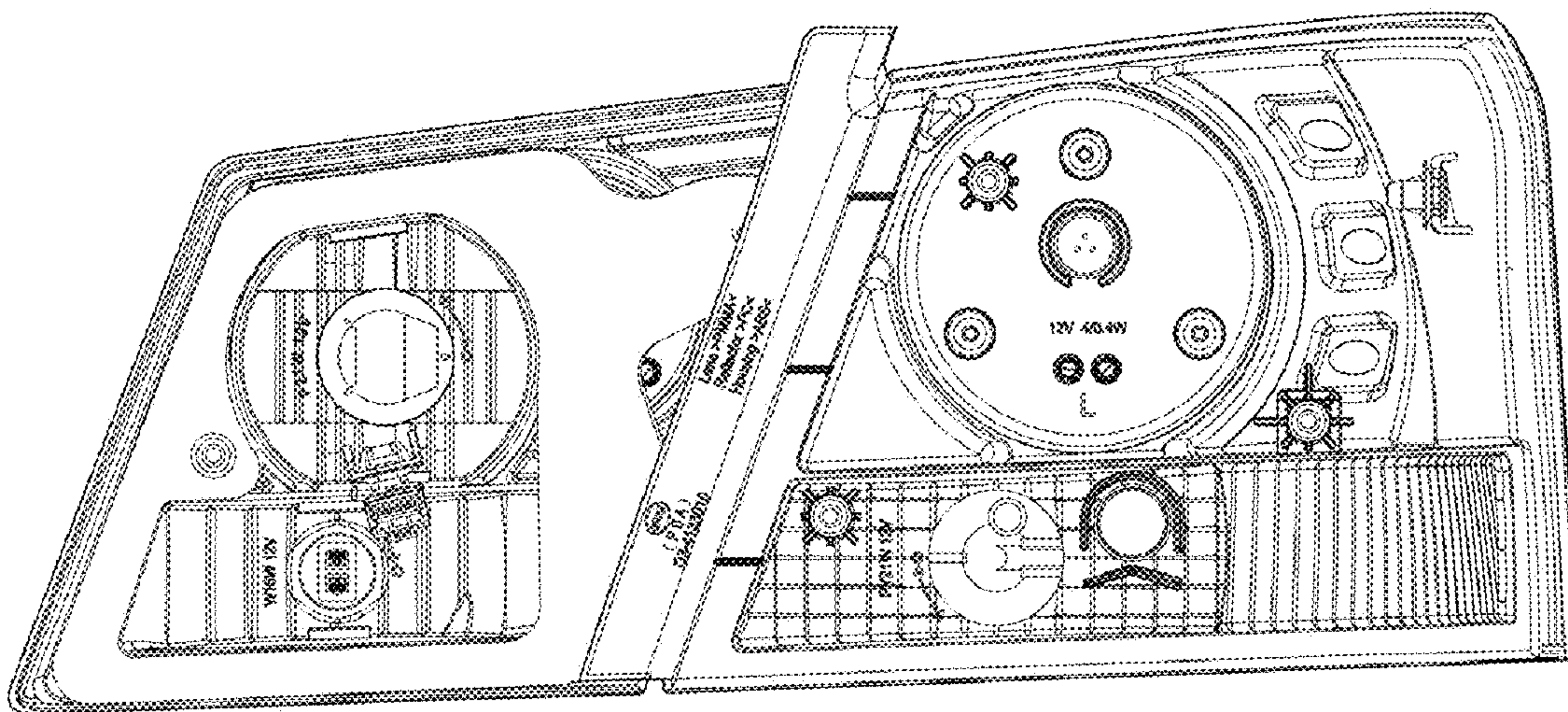


Fig. 2 Rear View



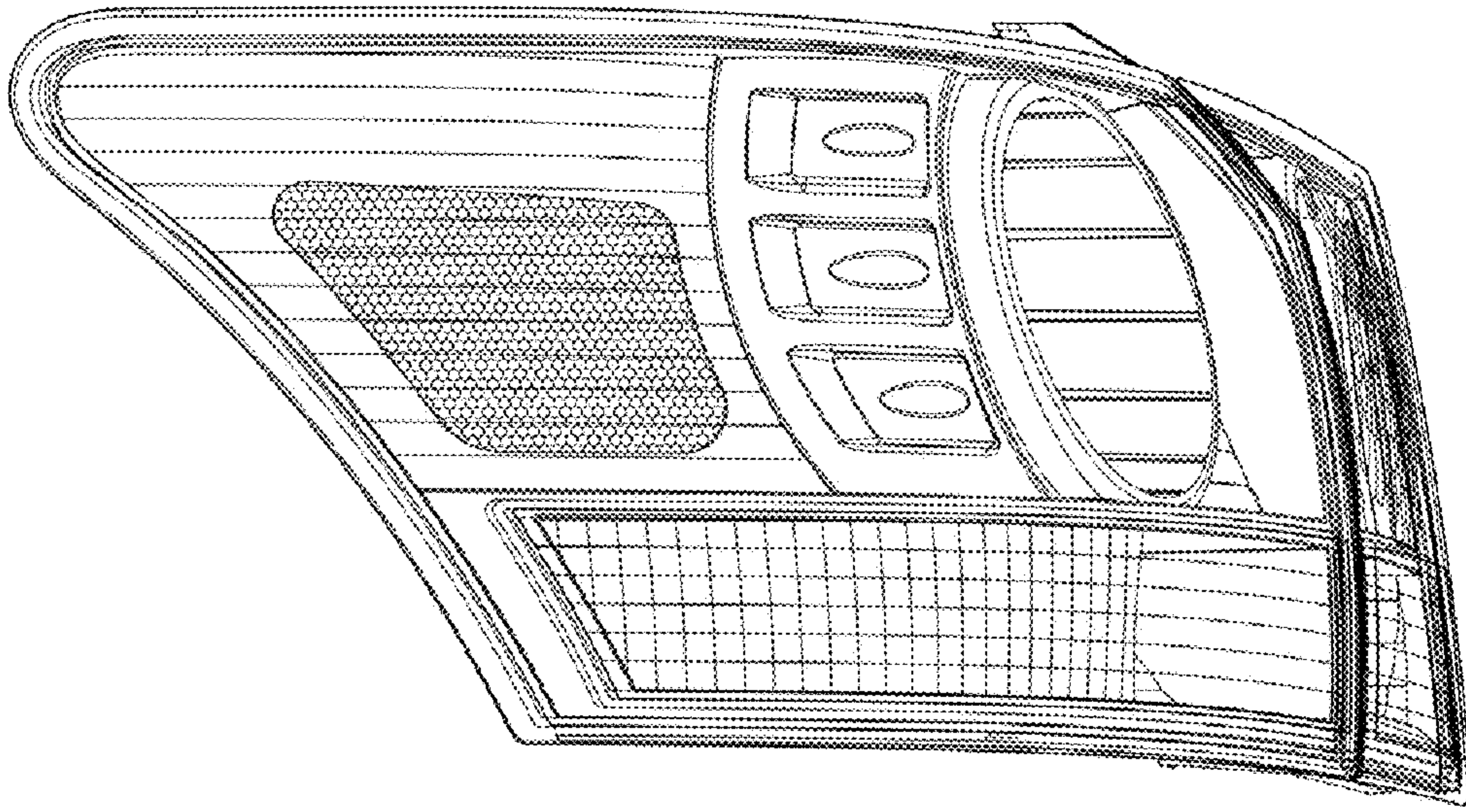


Fig. 3 Left Side View

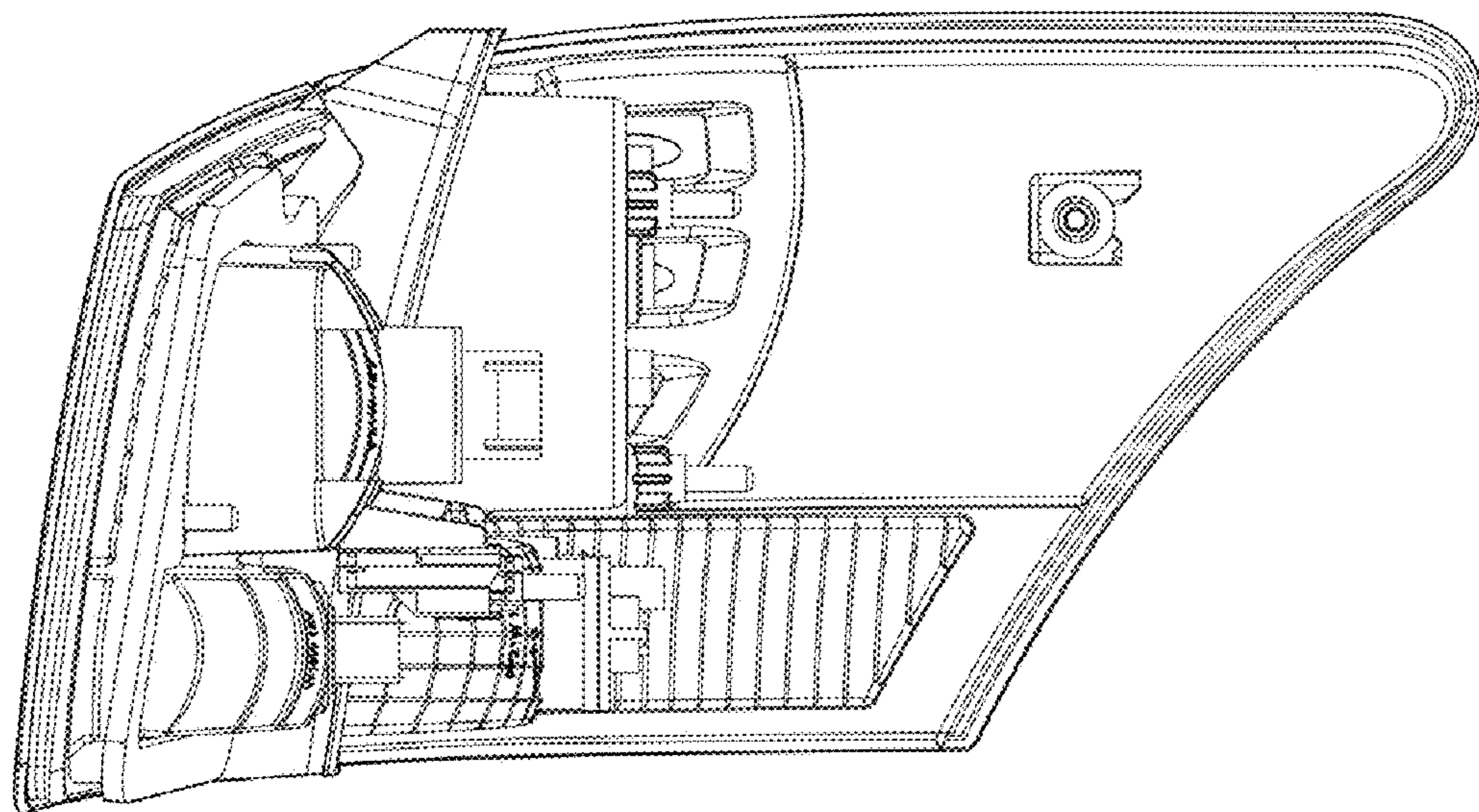


Fig. 4 Right Side View

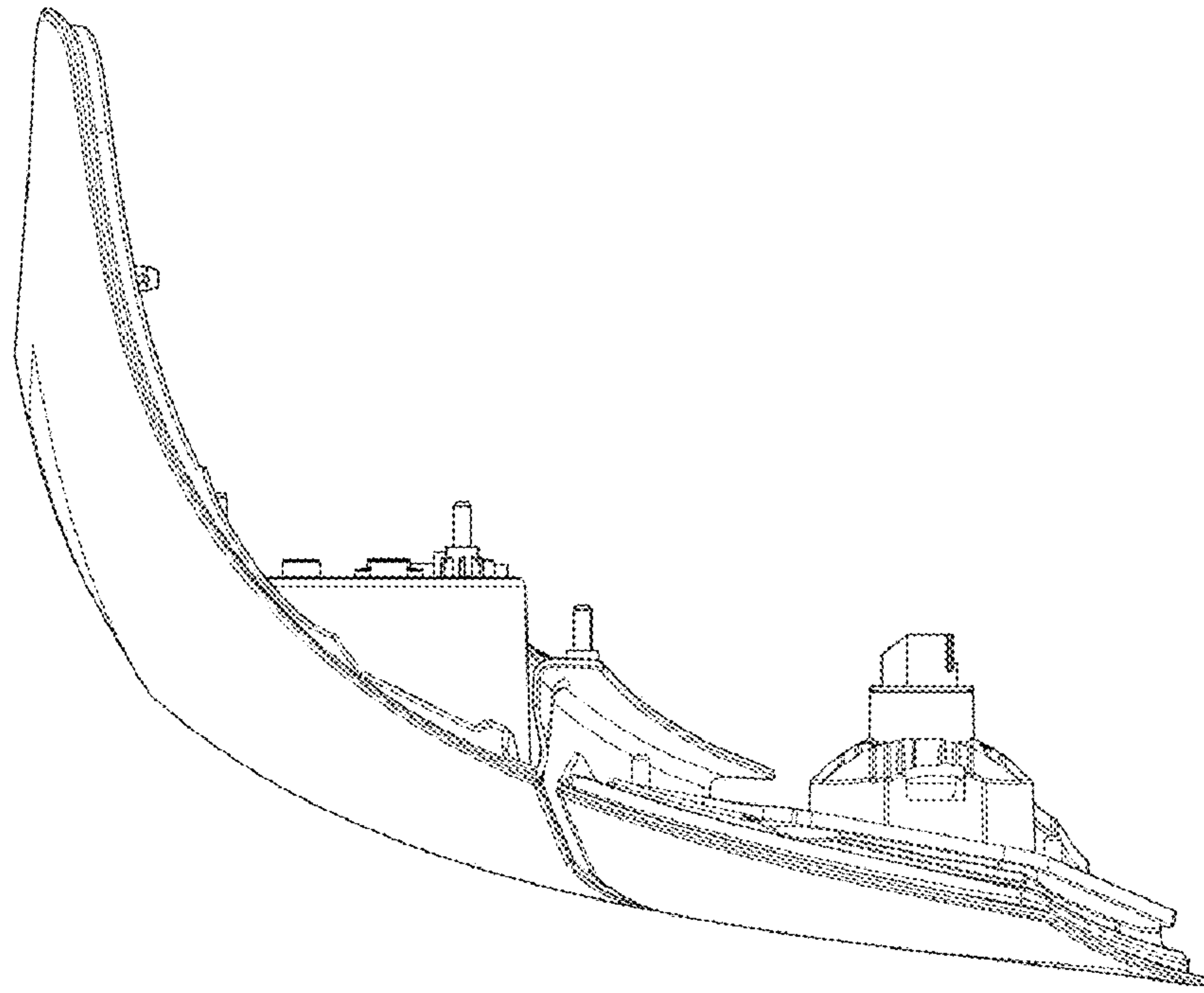


Fig. 5 Top View

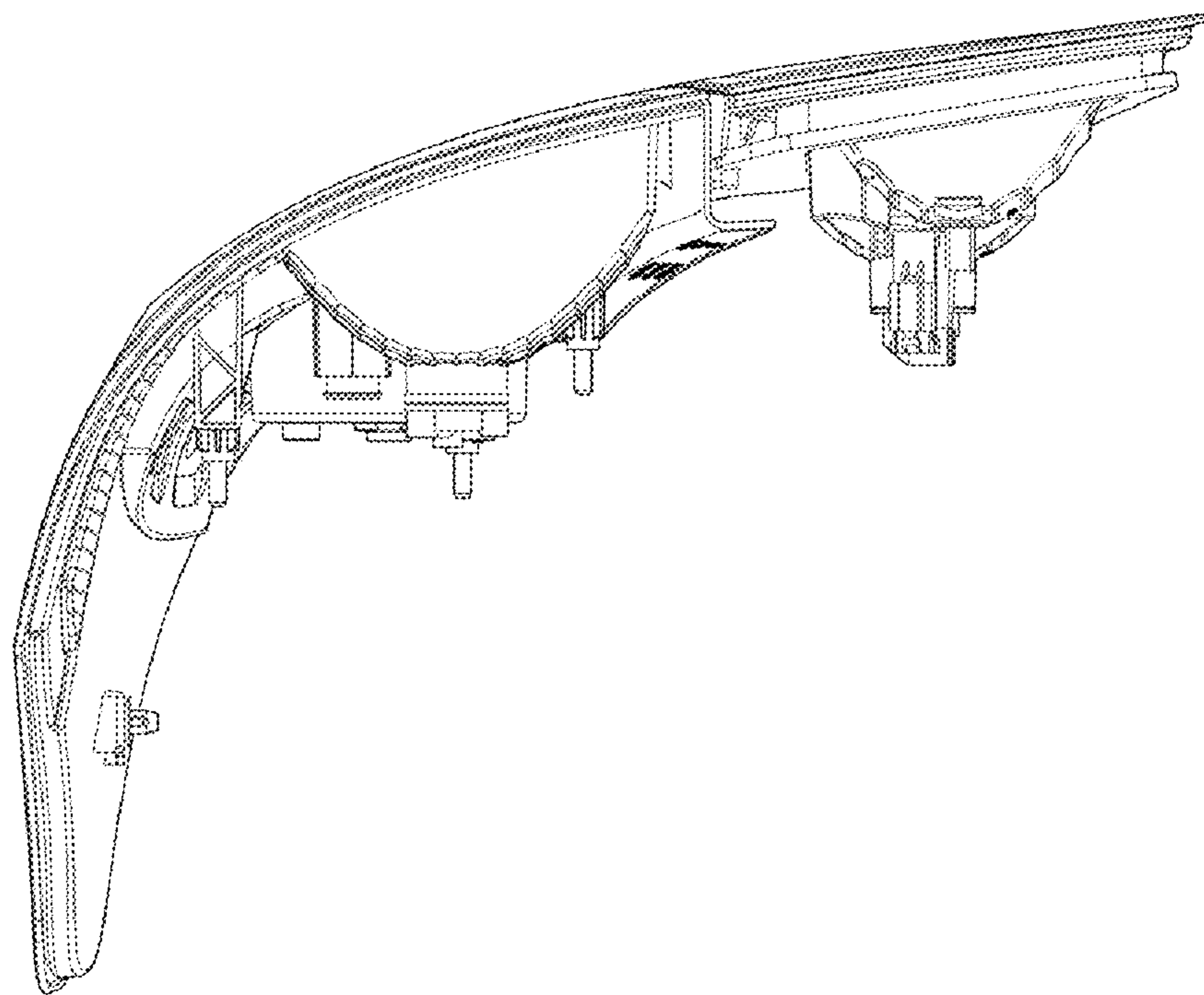


Fig. 6 Bottom View



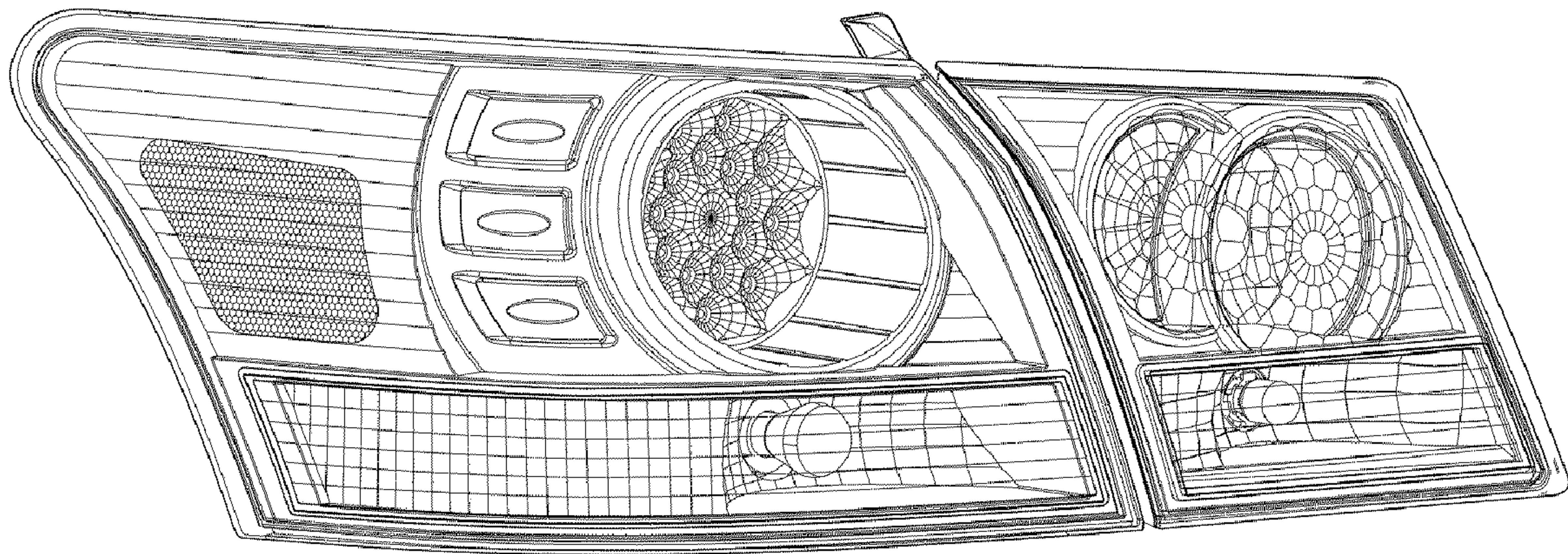


Fig. 7 Perspective View