



US00D612079S

(12) **United States Design Patent**
Kim

(10) **Patent No.:** **US D612,079 S**
(45) **Date of Patent:** **** Mar. 16, 2010**

(54) **HEAD LAMP OF CAR**

(75) Inventor: **Oh-soo Kim**, Incheon (KR)

(73) Assignee: **GM Global Technology Operations, Inc.**, Detroit, MI (US)

(**) Term: **14 Years**

(21) Appl. No.: **29/334,777**

(22) Filed: **Apr. 1, 2009**

(30) **Foreign Application Priority Data**

Nov. 25, 2008 (KR) 30-2008-0050581

(51) **LOC (9) Cl.** **26-04**

(52) **U.S. Cl.** **D26/28**

(58) **Field of Classification Search** D26/28-36;
362/459-468, 475-478, 485-487
See application file for complete search history.

(56) **References Cited**

U.S. PATENT DOCUMENTS

D549,858 S * 8/2007 Pfeiffer D26/28
D550,380 S * 9/2007 Lin D26/28

D561,359 S * 2/2008 Hsu D26/28
D569,533 S * 5/2008 Hsu D26/28
D570,007 S * 5/2008 Hsu D26/28
D570,014 S * 5/2008 Hsu D26/28

* cited by examiner

Primary Examiner—Marcus A Jackson

(74) *Attorney, Agent, or Firm*—Gerald T. Bodner

(57) **CLAIM**

The ornamental design of a head lamp of car, as shown and described.

DESCRIPTION

FIG. 1 is a perspective view of a head lamp of car showing my new design;

FIG. 2 is a front elevational view thereof;

FIG. 3 is a rear elevational view thereof;

FIG. 4 is a left elevational view thereof;

FIG. 5 is a right elevational view thereof;

FIG. 6 is a top plan view thereof; and,

FIG. 7 is a bottom plan view thereof.

1 Claim, 7 Drawing Sheets

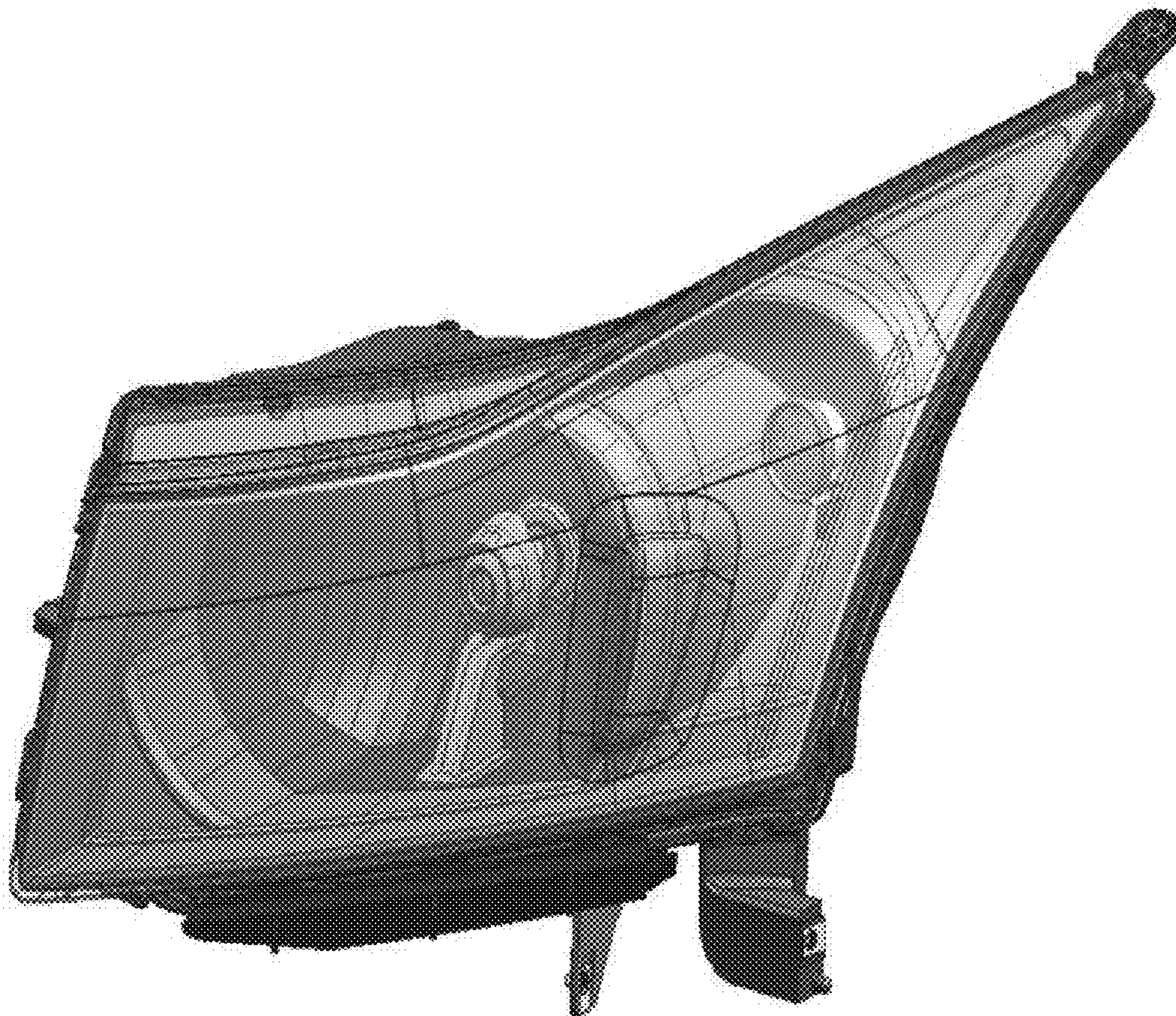




FIGURE 1



FIGURE 2



FIGURE 3

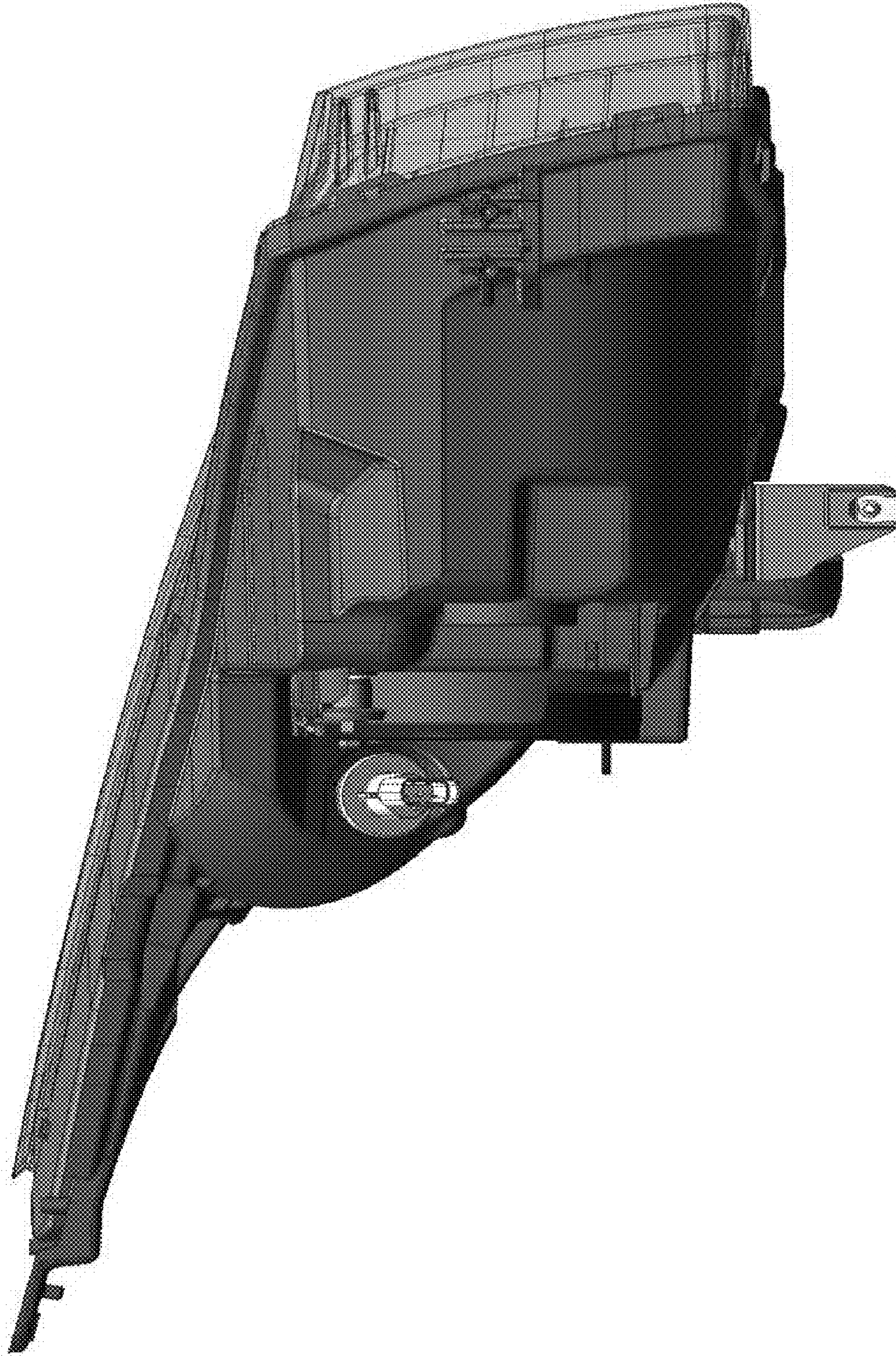


FIGURE 4

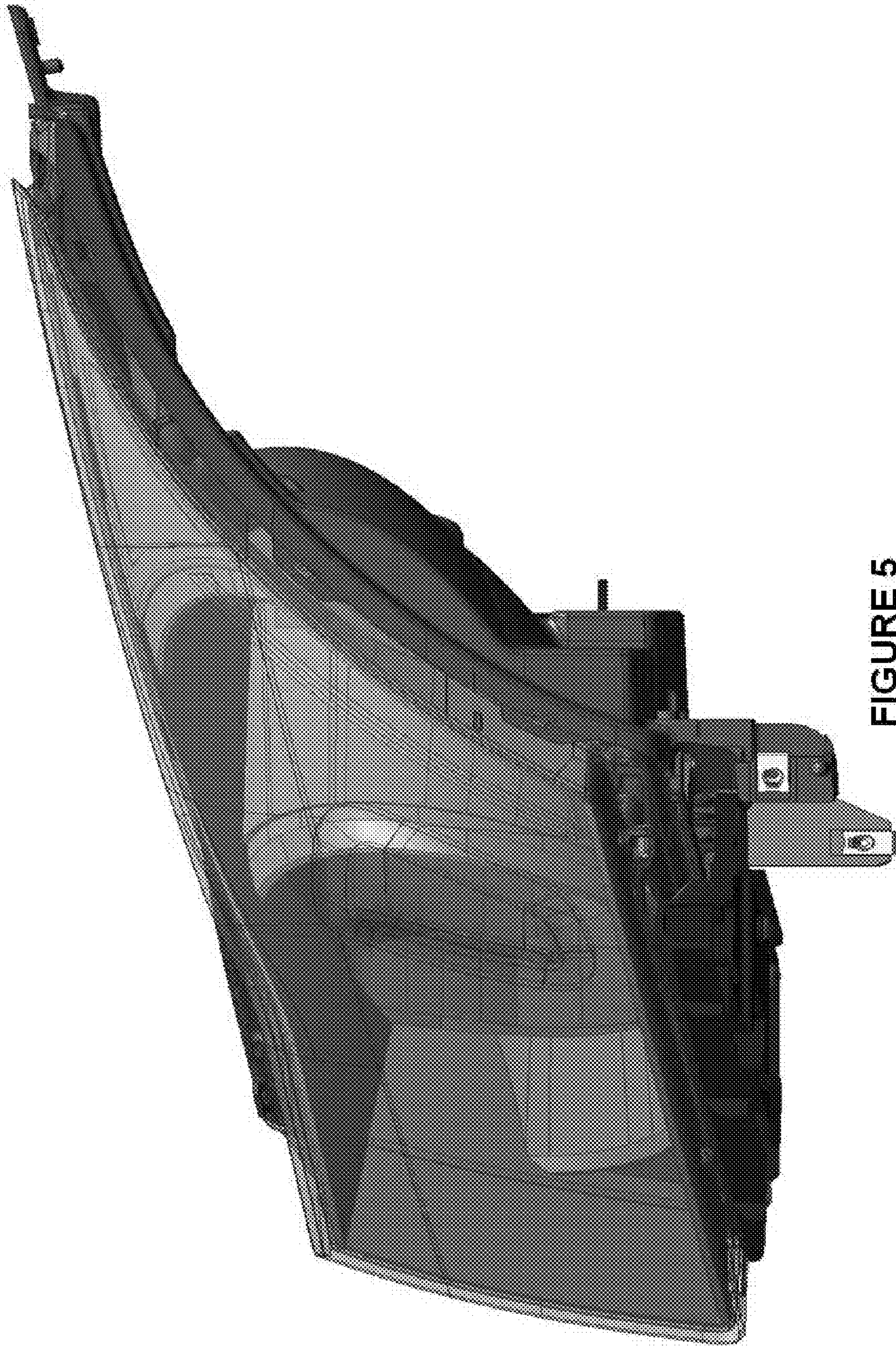


FIGURE 5

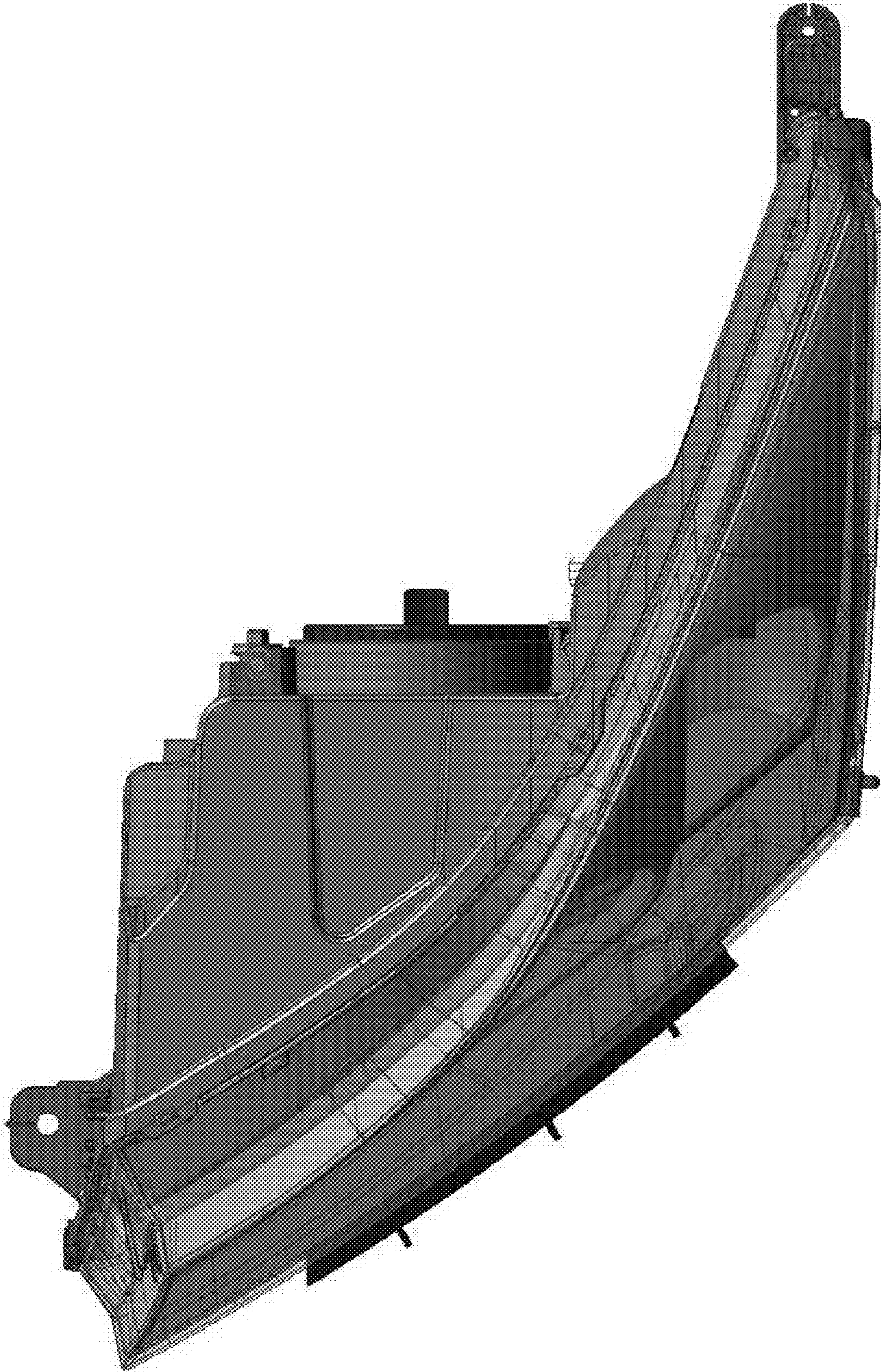


FIGURE 6

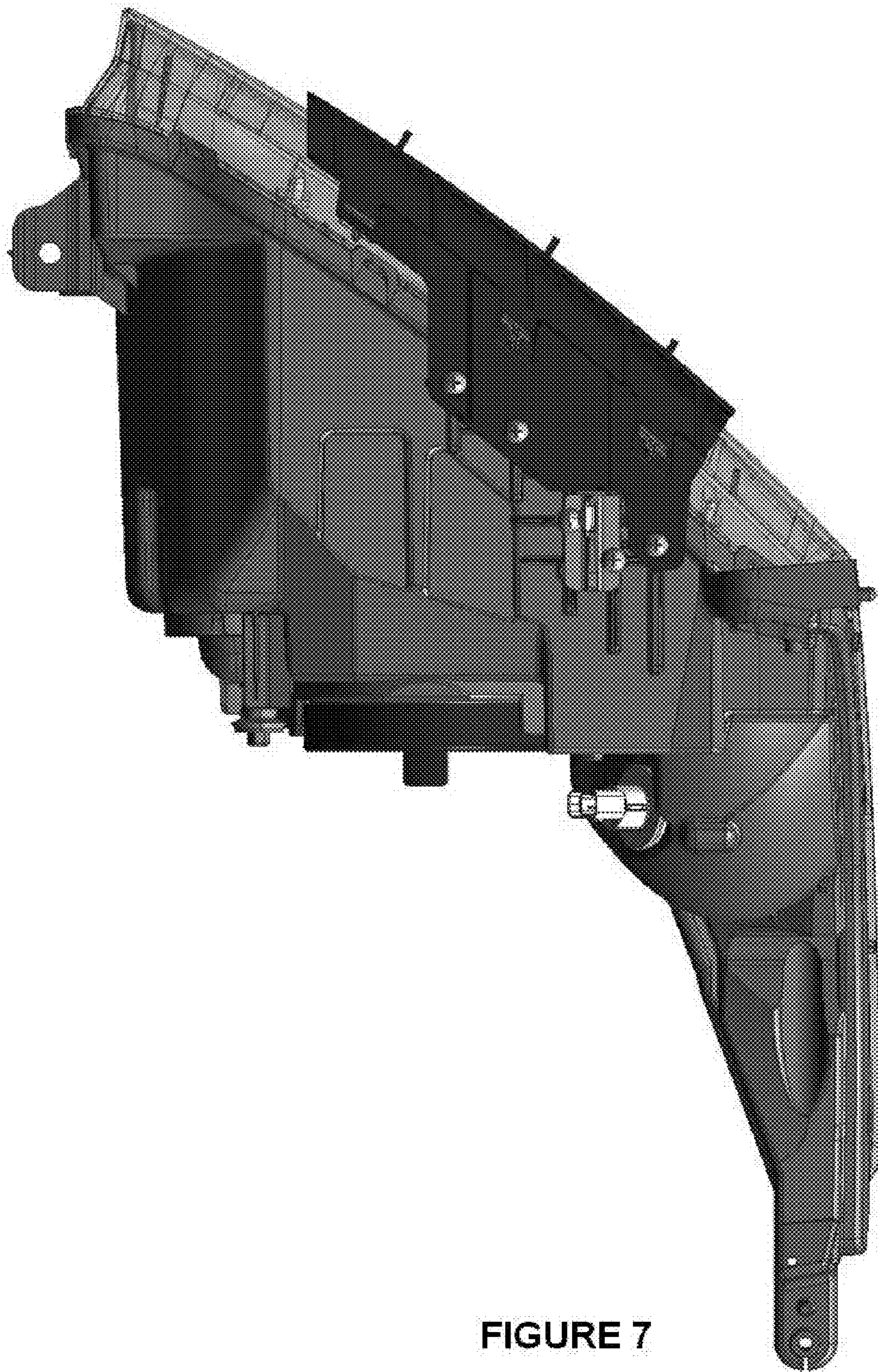


FIGURE 7