



US00D612076S

(12) **United States Design Patent**
Peterson

(10) **Patent No.:** **US D612,076 S**
(45) **Date of Patent:** **** Mar. 16, 2010**

(54) **CANDLE**

(76) Inventor: **Darlene A. Peterson**, 174 Lindfield Cir.,
Macungie, PA (US) 18062

(**) Term: **14 Years**

(21) Appl. No.: **29/314,723**

(22) Filed: **Apr. 22, 2009**

(51) **LOC (9) Cl.** **26-04**

(52) **U.S. Cl.** **D26/5**

(58) **Field of Classification Search** D26/1,
D26/4, 5, 25, 37-38, 40-41, 96; 362/157,
362/161, 179, 569, 641, 644, 810; 431/21,
431/289, 144

See application file for complete search history.

(56) **References Cited**

U.S. PATENT DOCUMENTS

| | | | | |
|---------------|---------|----------------|-------|---------|
| 701,557 A * | 6/1902 | Garrigan | | 431/144 |
| 1,236,657 A | 8/1917 | Bauer | | |
| 1,297,653 A | 3/1919 | Burgess | | |
| 2,009,965 A | 7/1935 | Pollock | | |
| D102,561 S * | 12/1936 | Lamb | | D26/5 |
| 2,435,811 A | 2/1948 | Waters | | |
| 2,509,219 A * | 5/1950 | Desmond et al. | | D26/5 |
| 4,510,556 A | 4/1985 | Johnson | | |
| 4,563,727 A | 1/1986 | Curiel | | |
| 4,816,970 A | 3/1989 | Garcia, Jr. | | |
| 4,823,241 A | 4/1989 | Trattner | | |
| 4,918,357 A | 4/1990 | Waterbury | | |
| 4,999,060 A | 3/1991 | Szekely et al. | | |
| 5,155,668 A | 10/1992 | Tanner et al. | | |
| 5,199,781 A | 4/1993 | Sweeny | | |
| 5,255,170 A | 10/1993 | Plamp et al. | | |

| | | | | |
|-----------------|---------|-----------------|-------|-------|
| 5,564,816 A | 10/1996 | Arcadia et al. | | |
| 5,601,360 A | 2/1997 | Paquette | | |
| 5,690,412 A | 11/1997 | Sheldon | | |
| 6,309,092 B1 | 10/2001 | Bardeen et al. | | |
| 6,497,502 B1 | 12/2002 | Clift et al. | | |
| 6,601,977 B2 | 8/2003 | Gesue | | |
| 6,616,308 B2 | 9/2003 | Jensen et al. | | |
| 6,637,911 B2 | 10/2003 | Sittner | | |
| 6,837,594 B2 | 1/2005 | Paquette et al. | | |
| 6,929,381 B2 | 8/2005 | Peterson | | |
| D545,458 S * | 6/2007 | Jensen | | D26/5 |
| D576,317 S * | 9/2008 | Jensen | | D26/5 |
| 2004/0233681 A1 | 11/2004 | Yao et al. | | |

* cited by examiner

Primary Examiner—Brian N Vinson
(74) *Attorney, Agent, or Firm*—Gary M. Cohen

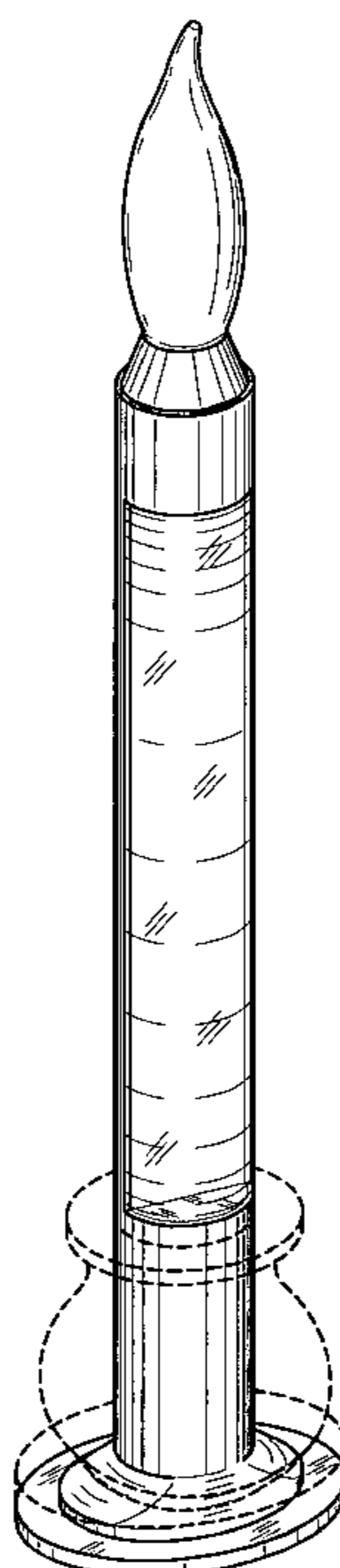
(57) **CLAIM**

I claim the ornamental design for a candle, as shown and described.

DESCRIPTION

FIG. 1 is a front view of the candle of my new design;
FIG. 2 is a rear view thereof;
FIG. 3 is a side view thereof, shown from the right side;
FIG. 4 is a side view thereof, shown from the left side;
FIG. 5 is a top view thereof;
FIG. 6 is a bottom view thereof; and,
FIG. 7 is a perspective view thereof.
The broken-line disclosure of a base insert is for illustrative purposes only and forms no part of the claimed design.

1 Claim, 6 Drawing Sheets



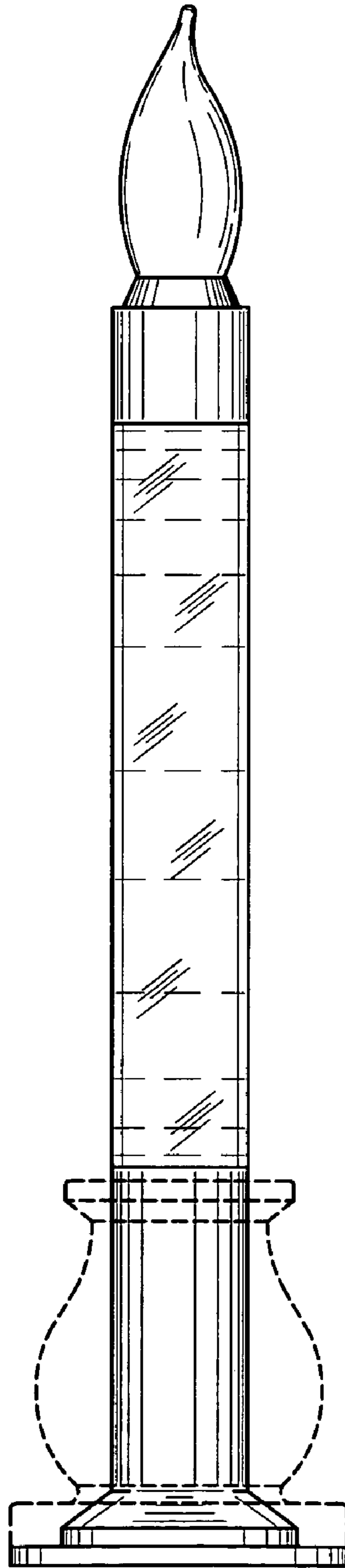


Fig. 1

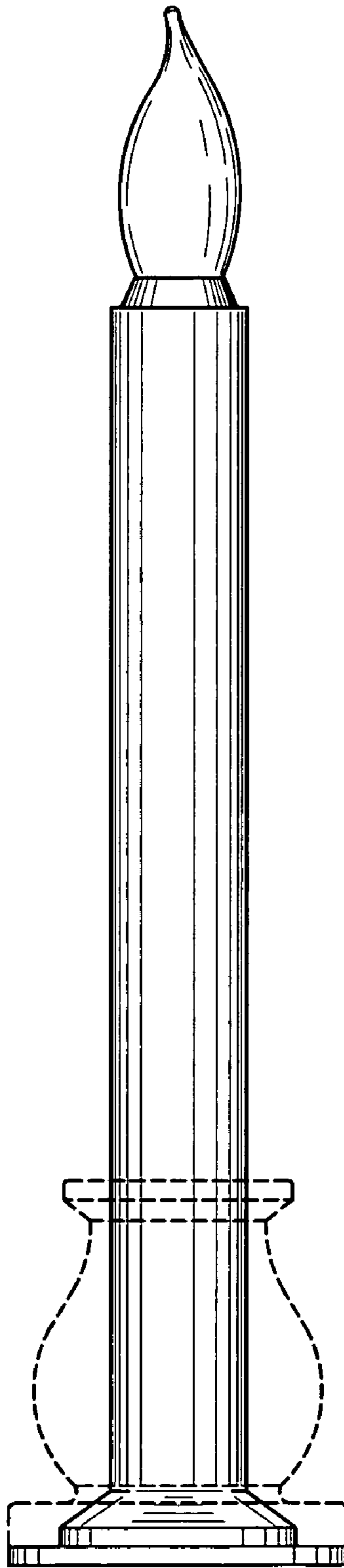


Fig. 2

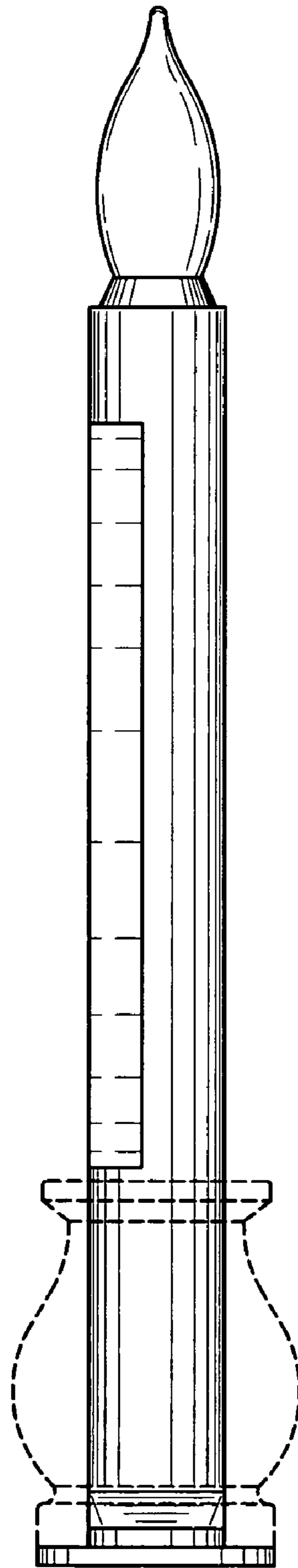


Fig. 3

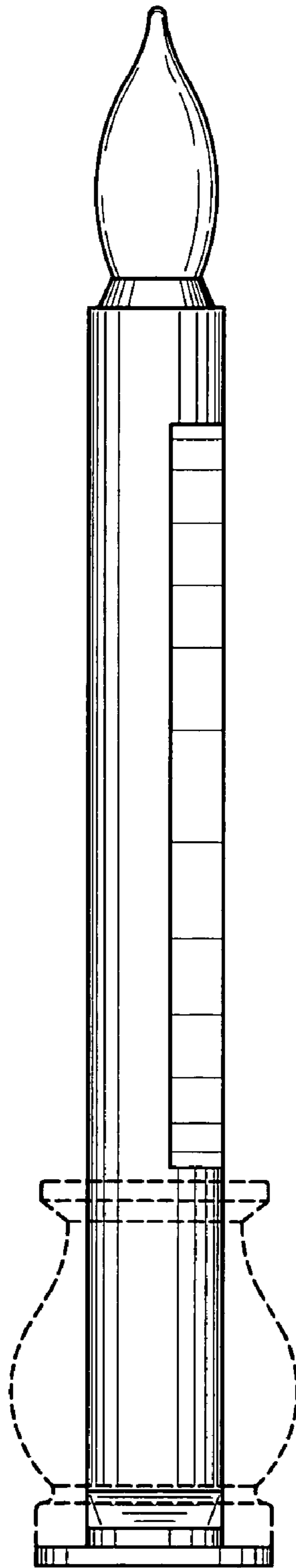


Fig. 4

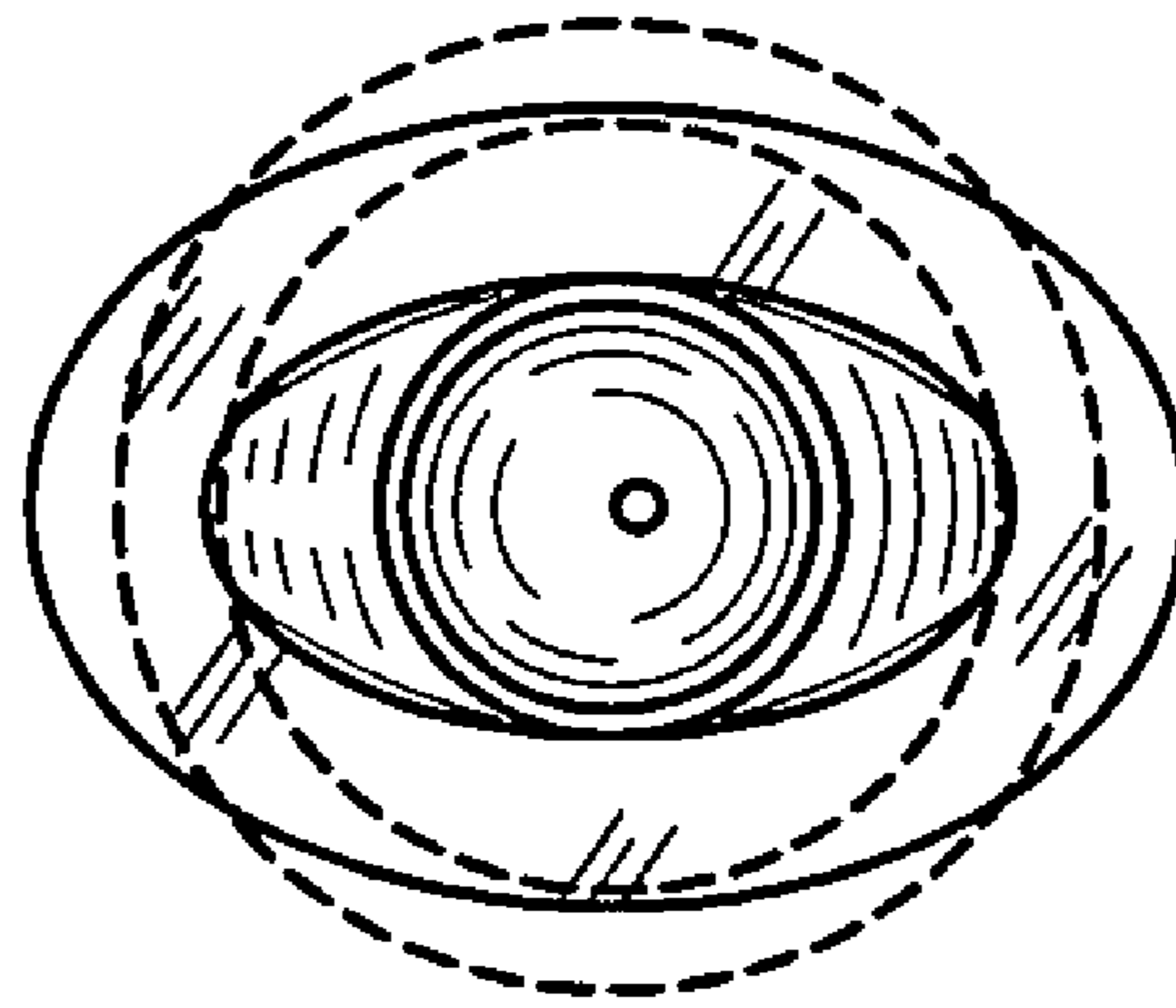


Fig. 5

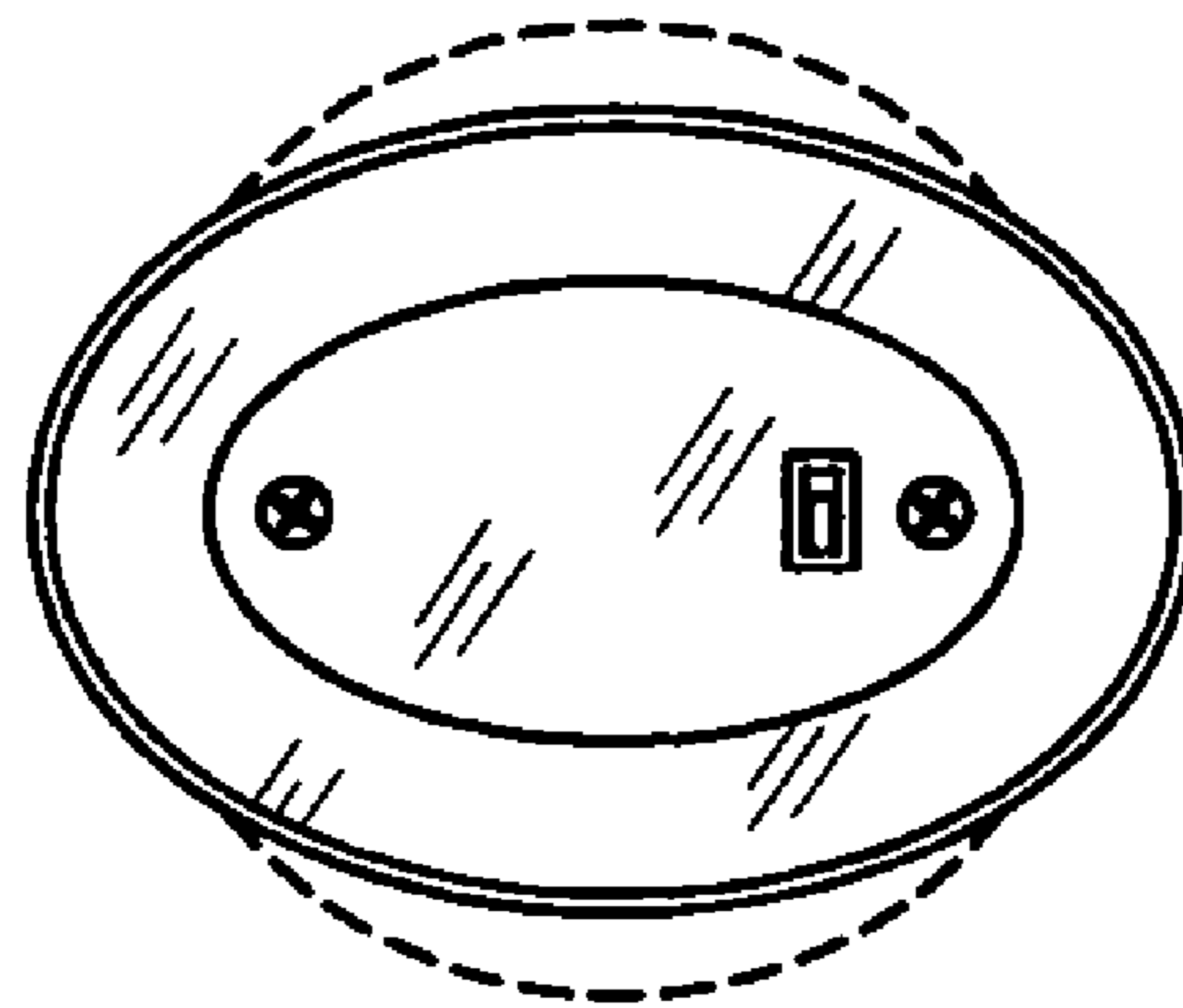


Fig. 6

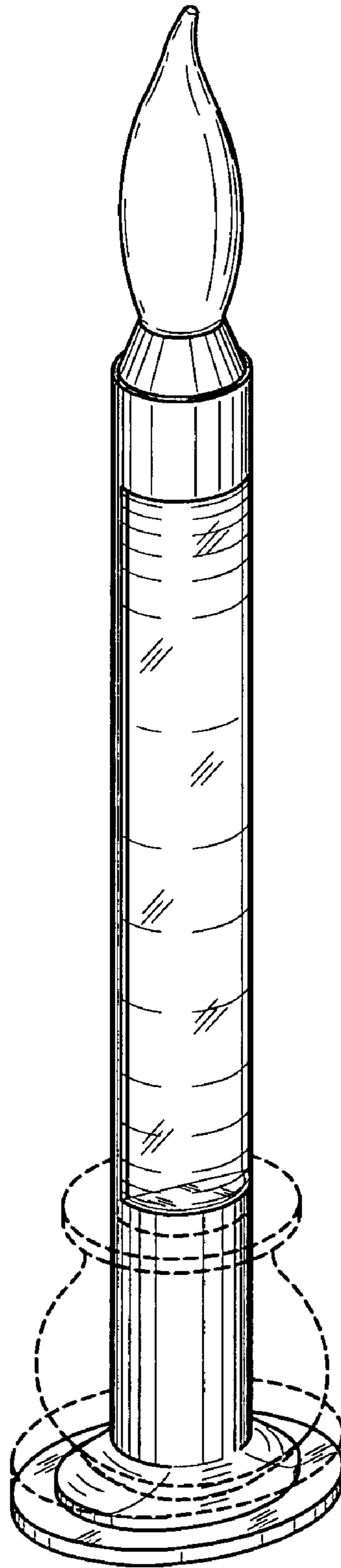


Fig. 7