



US00D612075S

(12) **United States Design Patent**
Chen et al.

(10) **Patent No.:** **US D612,075 S**
(45) **Date of Patent:** **** Mar. 16, 2010**

(54) **LED LAMP**

D590,523 S * 4/2009 Takahashi D26/2

(75) Inventors: **Ghieh-Hung Chen**, Taipei (TW);
Wen-Hsiang Chien, Taipei (TW)

* cited by examiner

(73) Assignee: **Advanced Connectek Inc.**, Taipei (TW)

Primary Examiner—Marcus A Jackson

(74) *Attorney, Agent, or Firm*—James J. Paige; Nikolai & Mersereau, P.A.

(**) Term: **14 Years**

(57) **CLAIM**

(21) Appl. No.: **29/343,220**

We claim the ornamental design for a LED lamp, as shown and described.

(22) Filed: **Sep. 9, 2009**

(51) **LOC (9) Cl.** **26-06**

(52) **U.S. Cl.** **D26/2**

(58) **Field of Classification Search** D26/1-4;
313/313, 315, 316, 317, 318, 493; 315/52,
315/53, 56, 57, 58

See application file for complete search history.

DESCRIPTION

FIG. 1 is a perspective view of a LED lamp, showing my new design;

FIG. 2 is a left side elevational view thereof;

FIG. 3 is a right side elevational view thereof;

FIG. 4 is a front plan view thereof;

FIG. 5 is a rear plan view thereof;

FIG. 6 is a top plan view thereof; and,

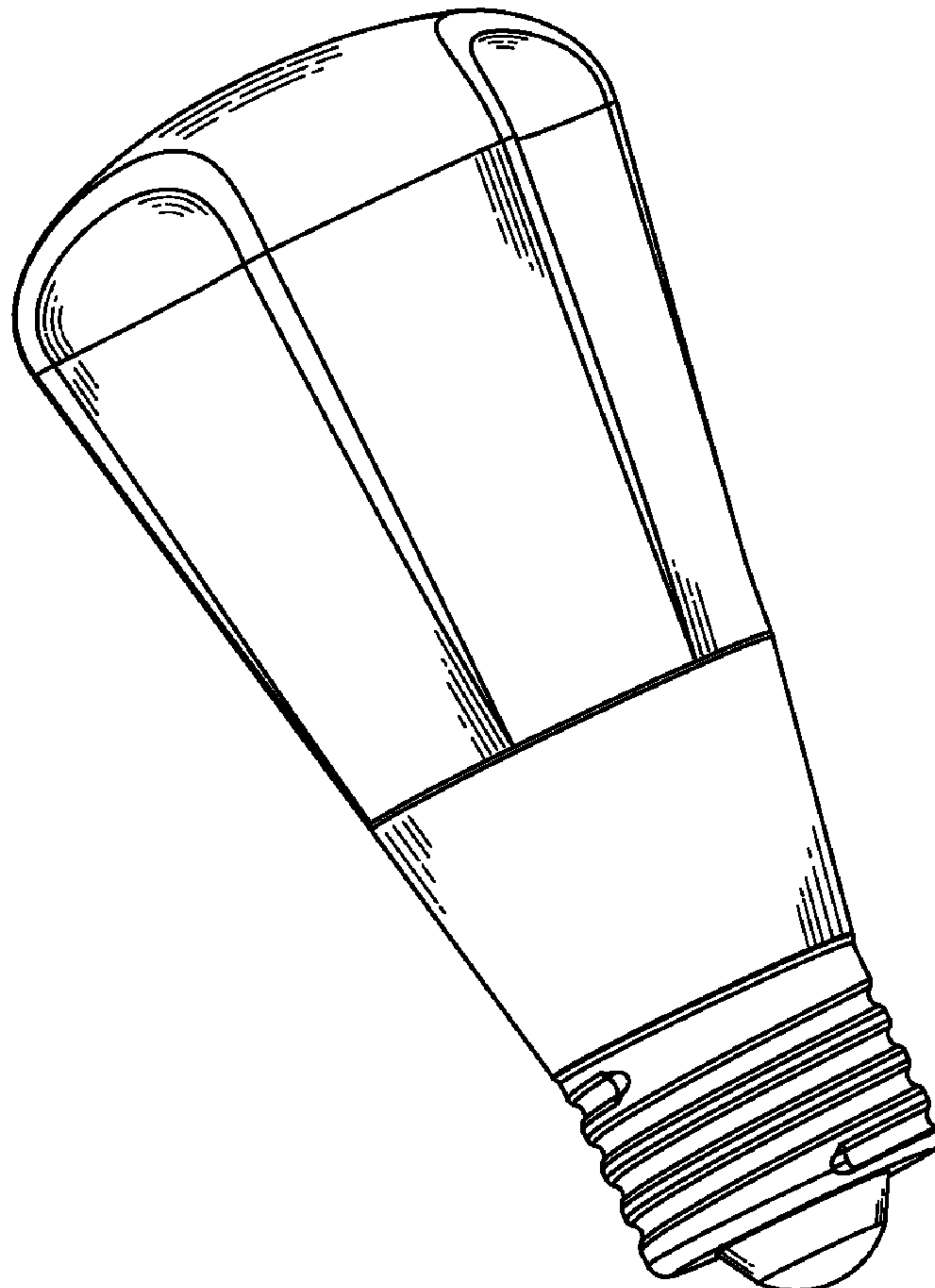
FIG. 7 is a bottom plan view thereof.

(56) **References Cited**

U.S. PATENT DOCUMENTS

D531,741 S * 11/2006 Takahashi D26/2
D553,267 S * 10/2007 Yuen D26/2
D574,091 S * 7/2008 Sun D26/2

1 Claim, 7 Drawing Sheets



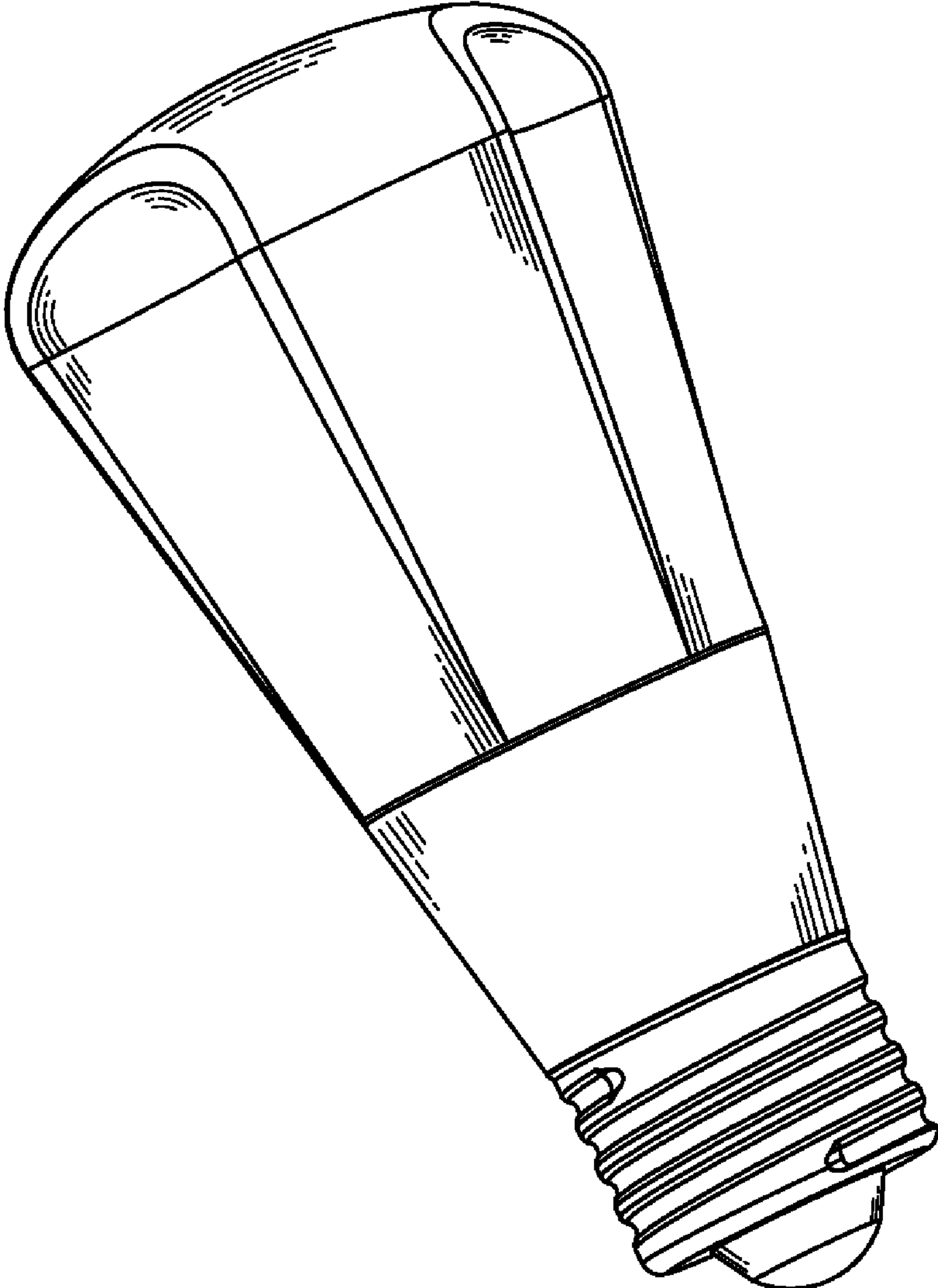


Fig. 1

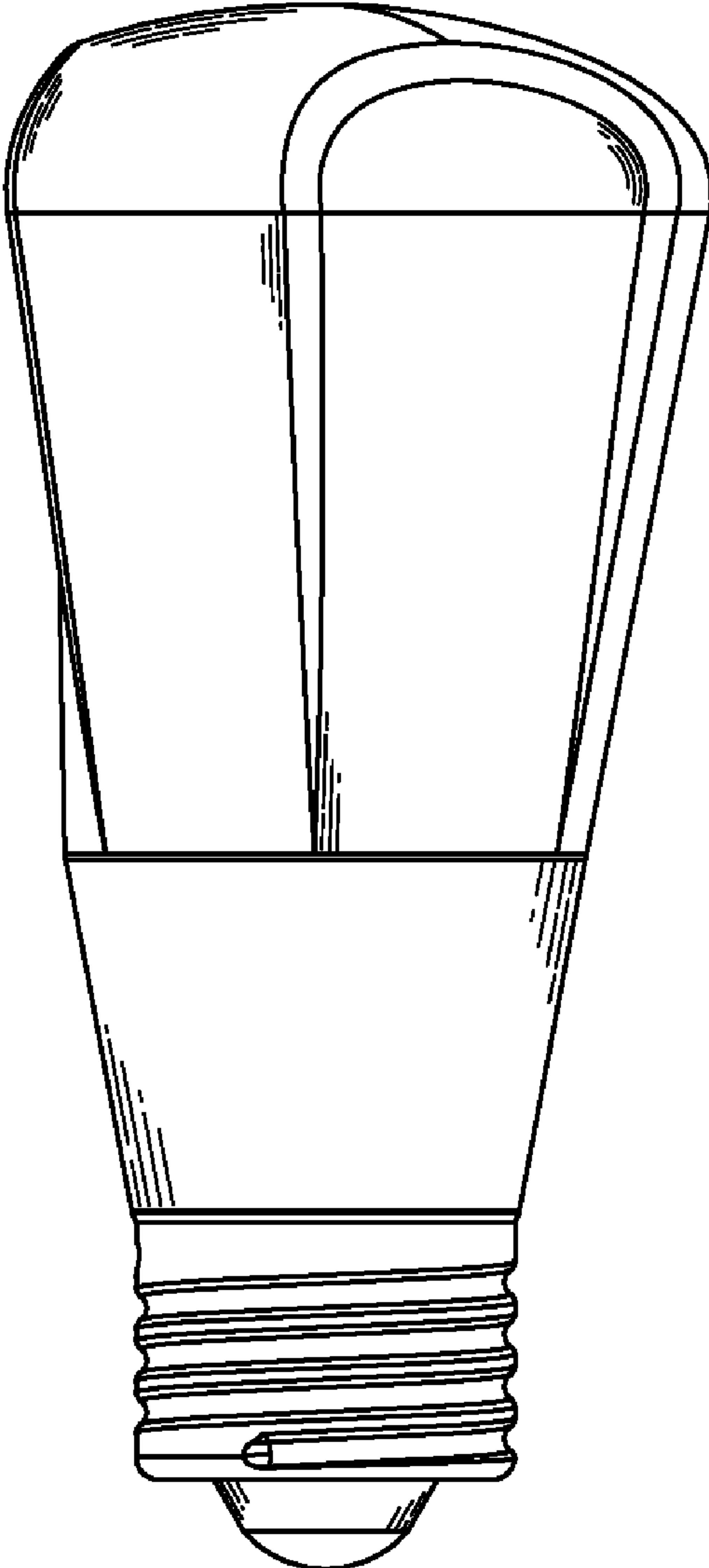


Fig. 2

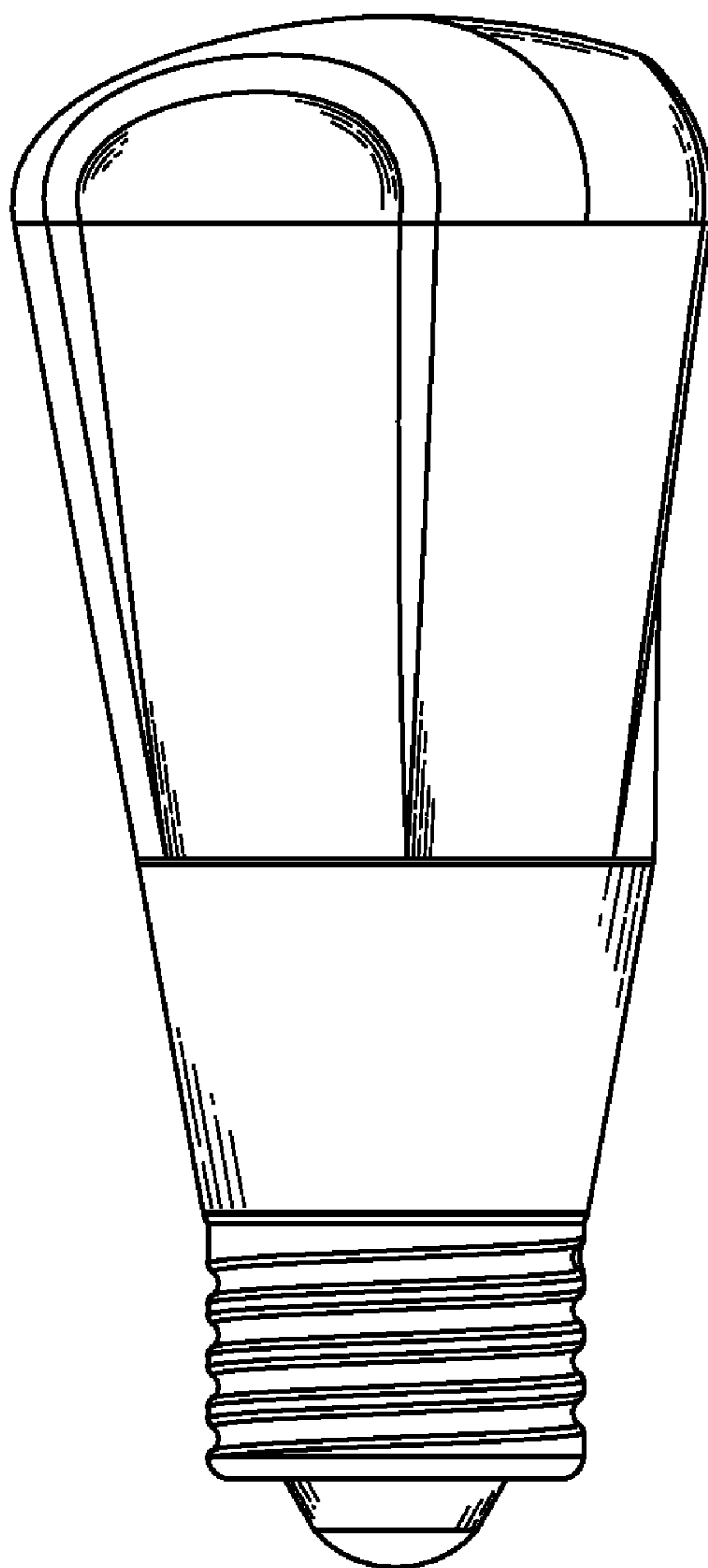


Fig. 3

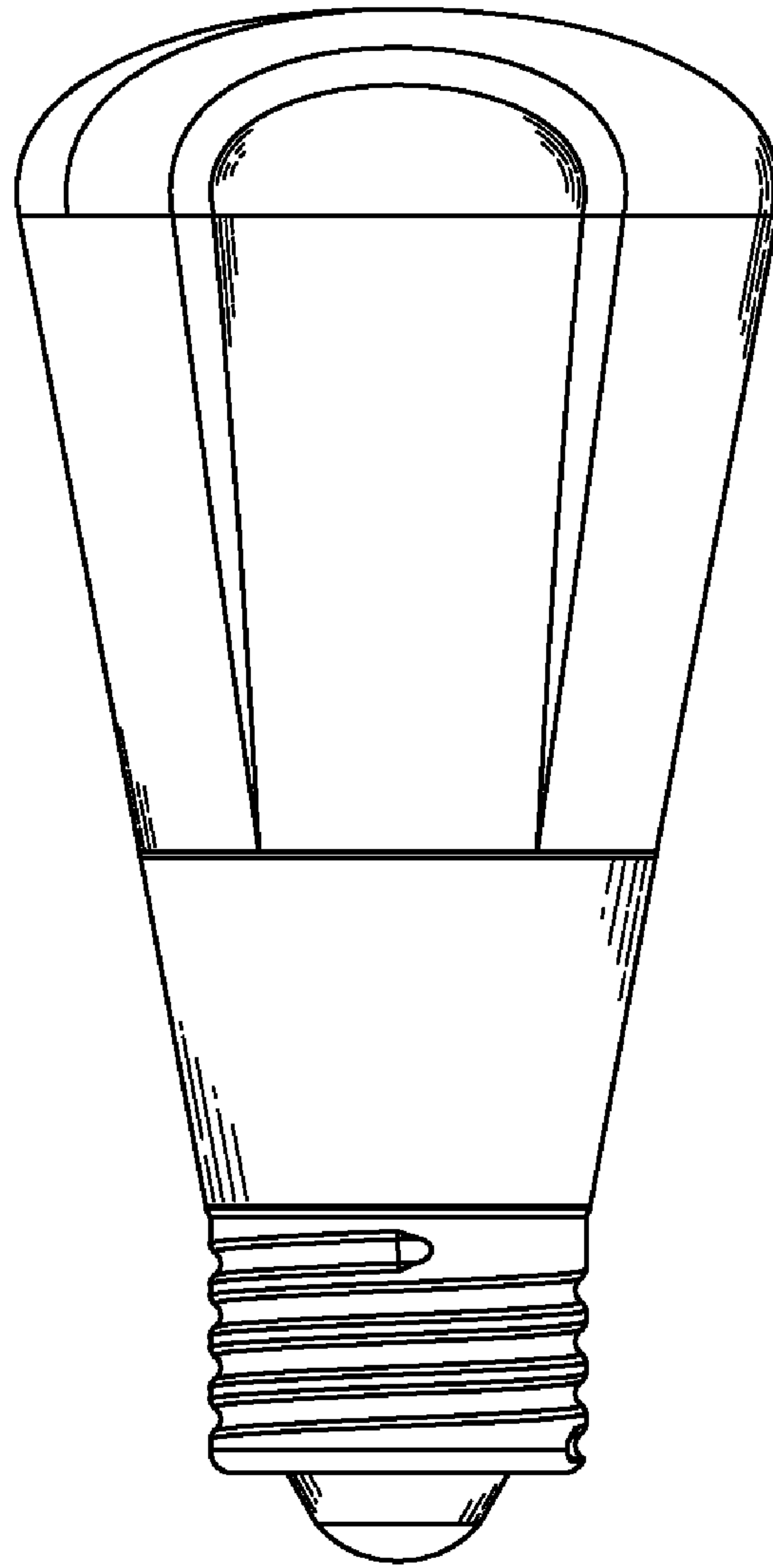


Fig. 4

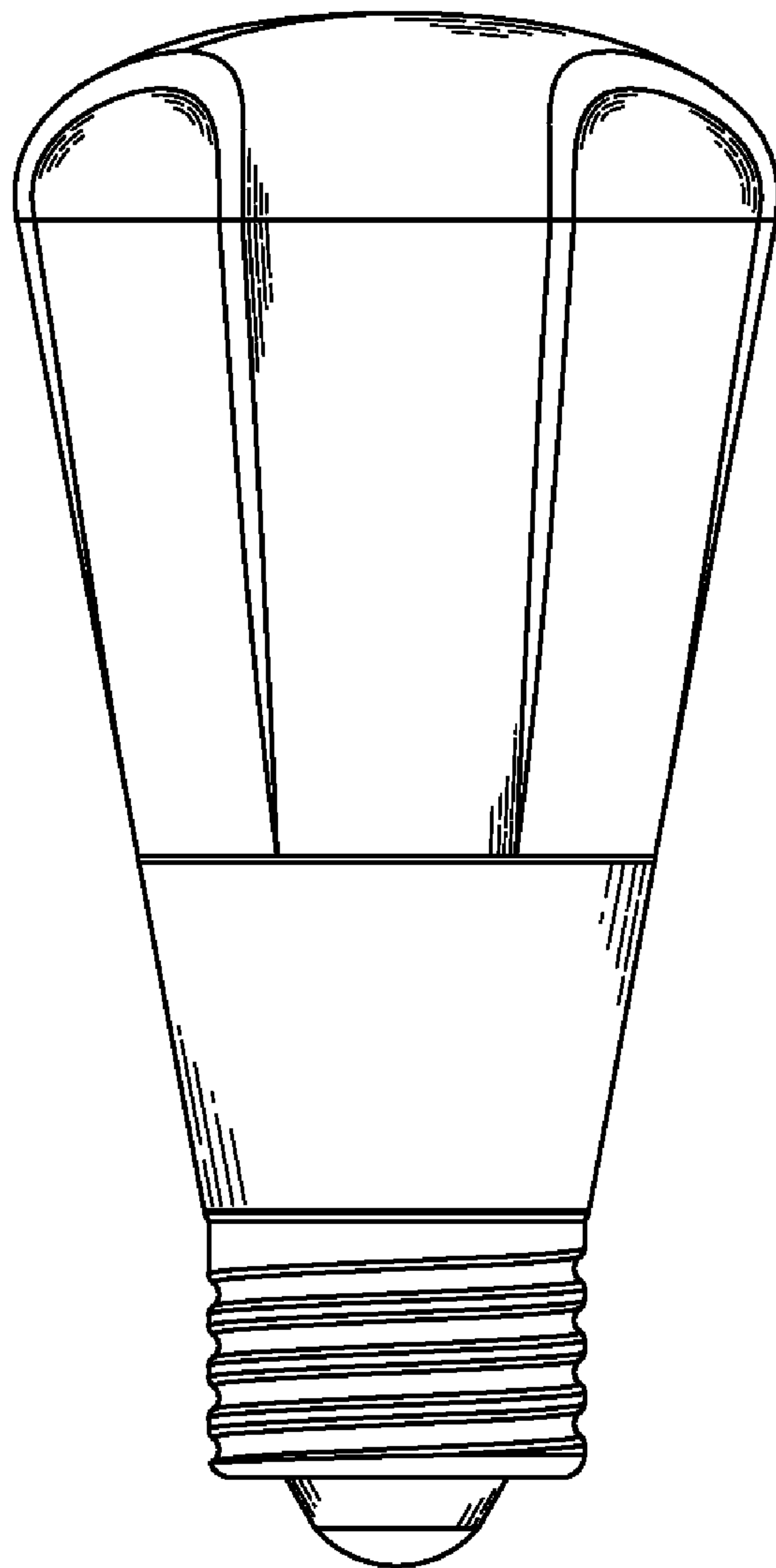


Fig. 5

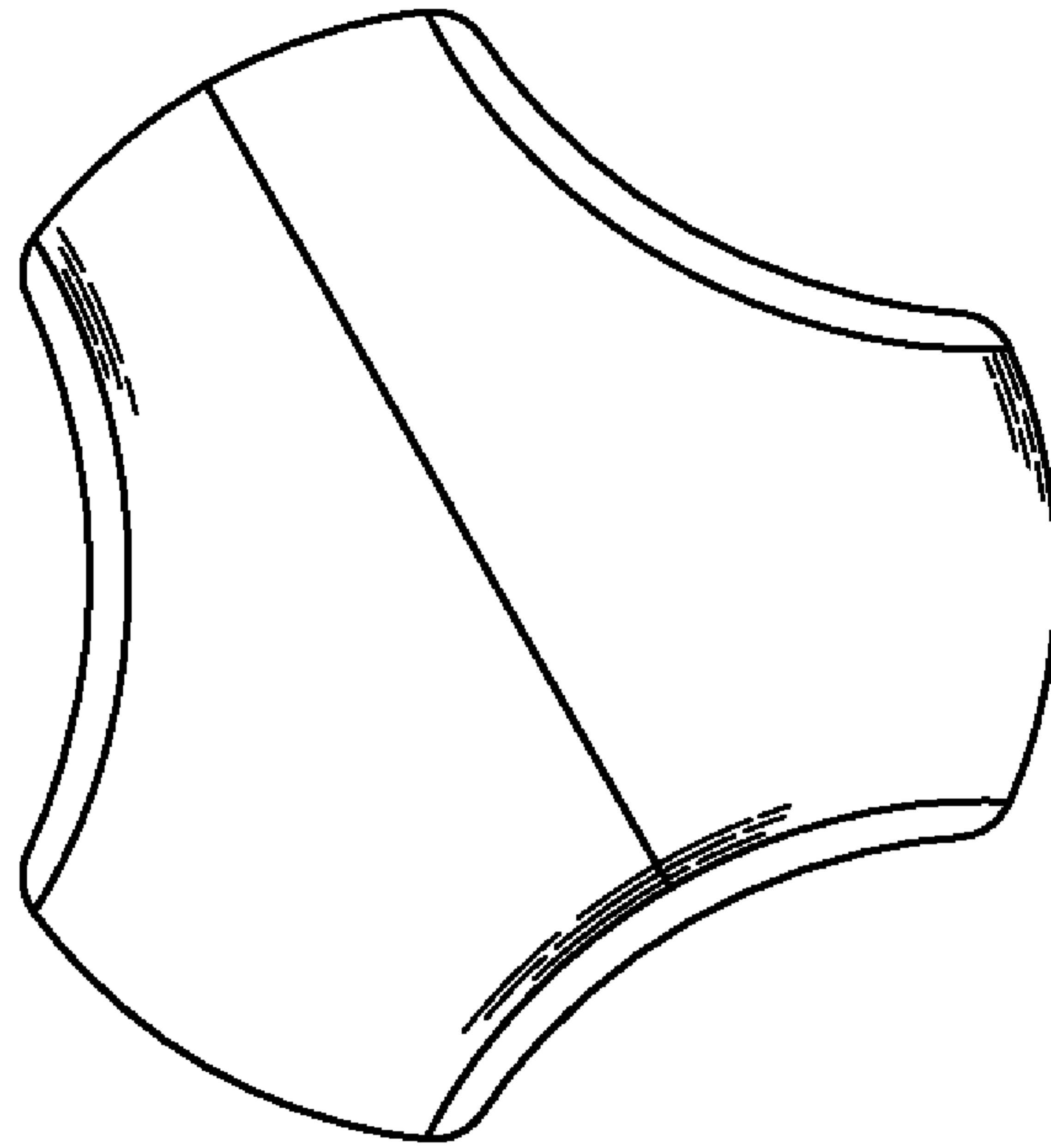


Fig. 6

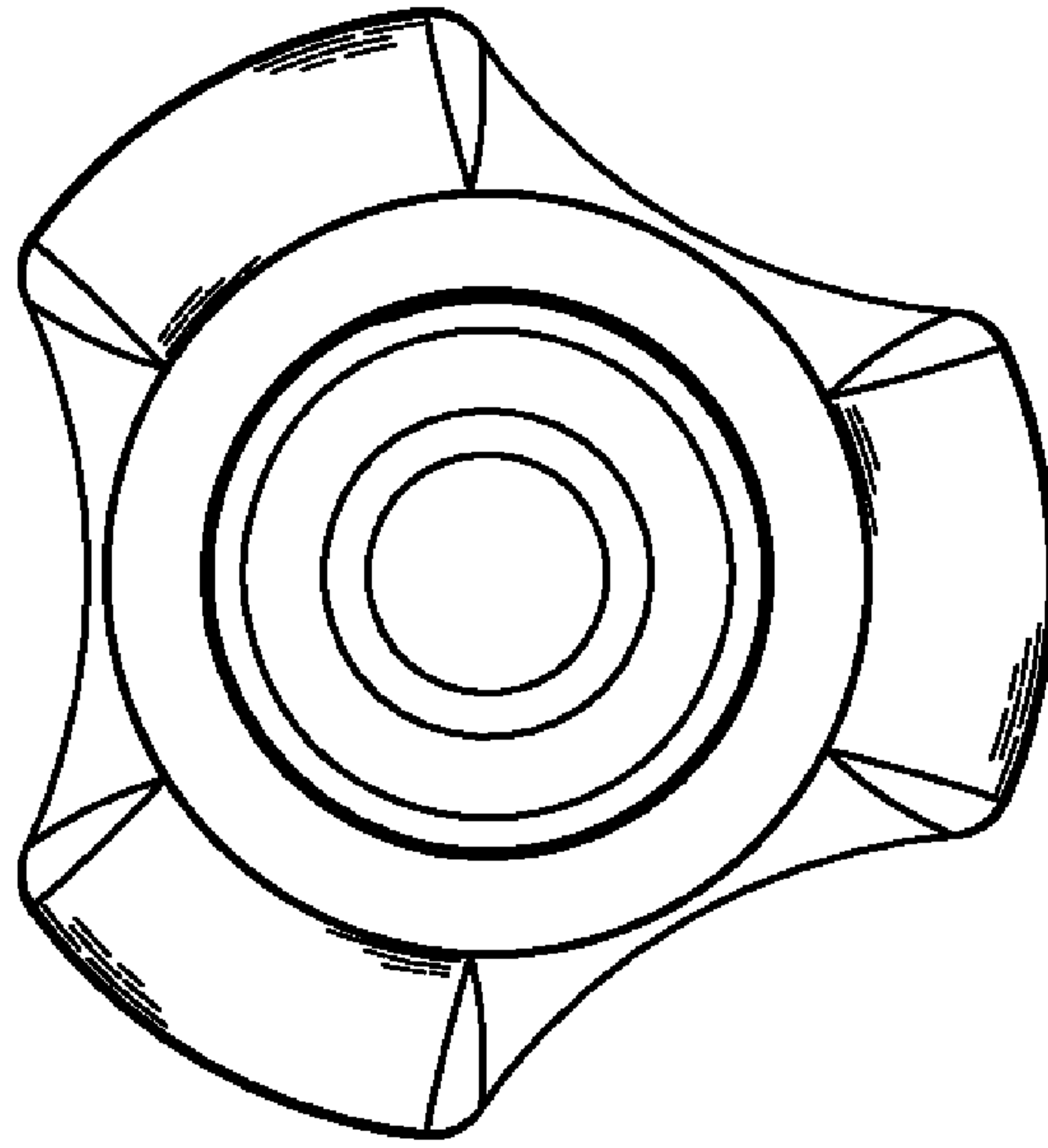


Fig. 7