



US00D612072S

(12) **United States Design Patent**  
**Keeley**

(10) **Patent No.:** **US D612,072 S**  
(45) **Date of Patent:** **\*\* Mar. 16, 2010**

(54) **LAWN EDGING AND CONNECTOR**

(75) Inventor: **David Keeley**, Marietta, OH (US)

(73) Assignee: **Dimex, LLC**, Marietta, OH (US)

(\*\*) Term: **14 Years**

(21) Appl. No.: **29/343,114**

(22) Filed: **Sep. 8, 2009**

**Related U.S. Application Data**

(62) Division of application No. 29/305,452, filed on Mar. 20, 2008, now Pat. No. Des. 606,670.

(51) **LOC (9) Cl.** ..... **25-01**

(52) **U.S. Cl.** ..... **D25/121; D25/164**

(58) **Field of Classification Search** ..... D25/164,  
D25/121; 47/47, 32.7, 32.4, 33

See application file for complete search history.

(56) **References Cited**

**U.S. PATENT DOCUMENTS**

992,529 A	5/1911	Abraham
1,666,613 A	4/1928	Woods
D178,659 S	9/1956	Hield
2,809,809 A	10/1957	Johnston
2,877,600 A	3/1959	Slate
D185,236 S	5/1959	Reese
3,332,197 A	7/1967	Hinkle
3,604,164 A	9/1971	Durban
3,619,944 A	11/1971	Matvey
3,788,001 A	1/1974	Balfanz, Jr.
4,202,145 A	5/1980	Coulter et al.
4,628,632 A	12/1986	Zwier
4,761,923 A	8/1988	Reum et al.
5,020,272 A	6/1991	Herrema et al.
5,117,583 A	6/1992	Reum
D329,707 S	9/1992	Embree et al.
5,152,507 A	10/1992	Lee
5,301,461 A	4/1994	Zwier
5,442,877 A	8/1995	Lindhall
D366,191 S	1/1996	Gay

D408,558 S	4/1999	Levy
5,941,018 A	8/1999	Herrema
6,012,254 A	1/2000	Gaston
6,085,458 A	7/2000	Gau
6,108,969 A	8/2000	Danna et al.
6,226,934 B1	5/2001	Gaston
6,345,465 B1 *	2/2002	Allen et al. .... 47/33
6,754,989 B2 *	6/2004	Eicher ..... 47/32
D548,368 S	8/2007	Hale et al.

**FOREIGN PATENT DOCUMENTS**

GB	2369979 A	6/2002
JP	7255277	10/1995
JP	2002253060	10/2002

\* cited by examiner

*Primary Examiner*—Doris Clark

(74) *Attorney, Agent, or Firm*—Wood, Herron & Evans, LLP

(57) **CLAIM**

The ornamental design for a lawn edging and connector, as shown and described.

**DESCRIPTION**

FIG. 1 is a front perspective view of a lawn edging and connector showing the new design broken in two places thereof to show indeterminate length;

FIG. 2 is a rear perspective view thereof;

FIG. 3 is a front elevational view thereof;

FIG. 4 is a left side elevational view thereof;

FIG. 5 is a rear elevational view thereof;

FIG. 6 is a right side elevational view thereof;

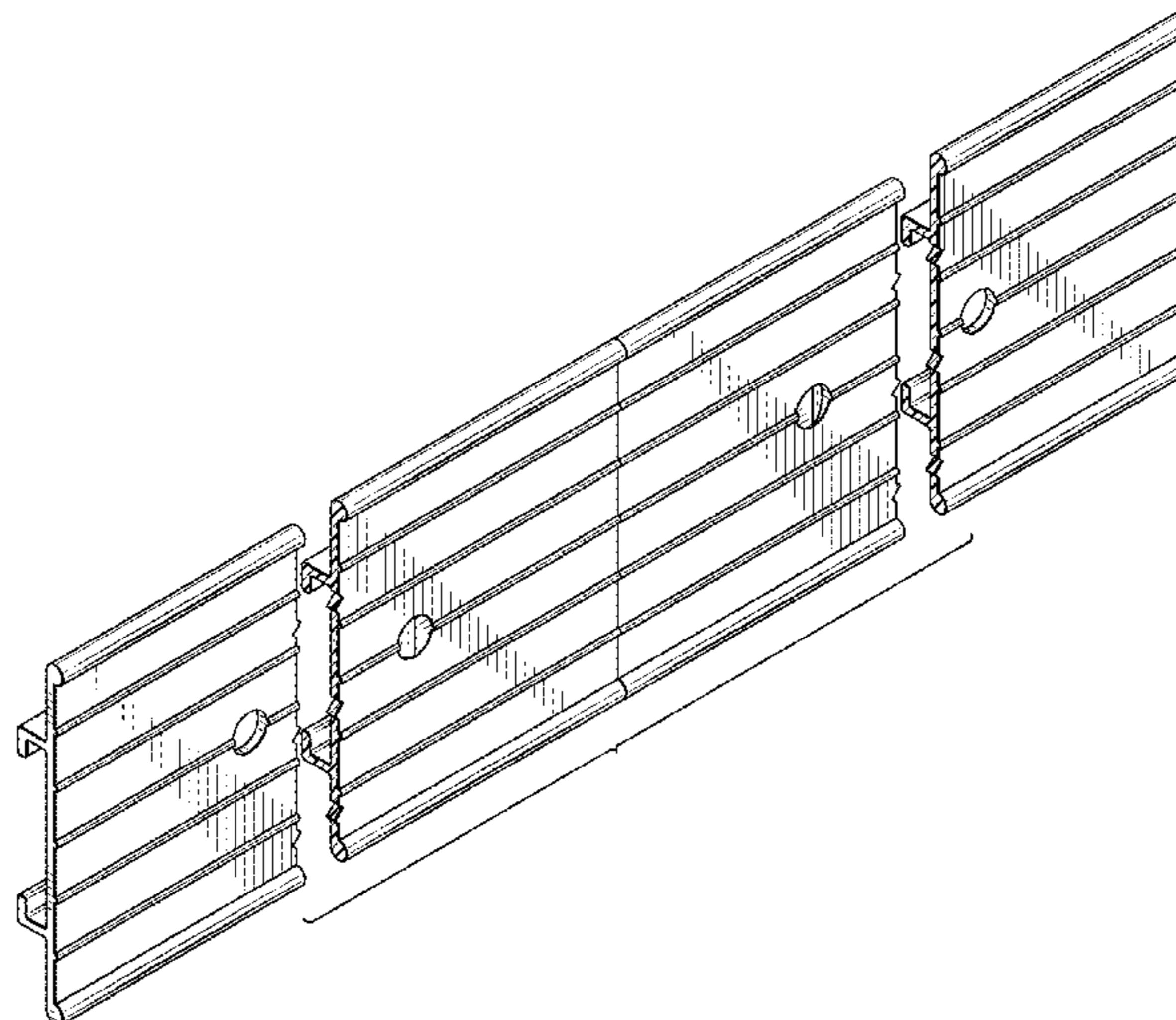
FIG. 7 is a top plan view thereof;

FIG. 8 is a bottom plan view thereof;

FIG. 9 is a cross-sectional view taken along line 9—9 of FIG. 3; and,

FIG. 10 is a cross-sectional view taken along line 10—10 of FIG. 4.

**1 Claim, 5 Drawing Sheets**



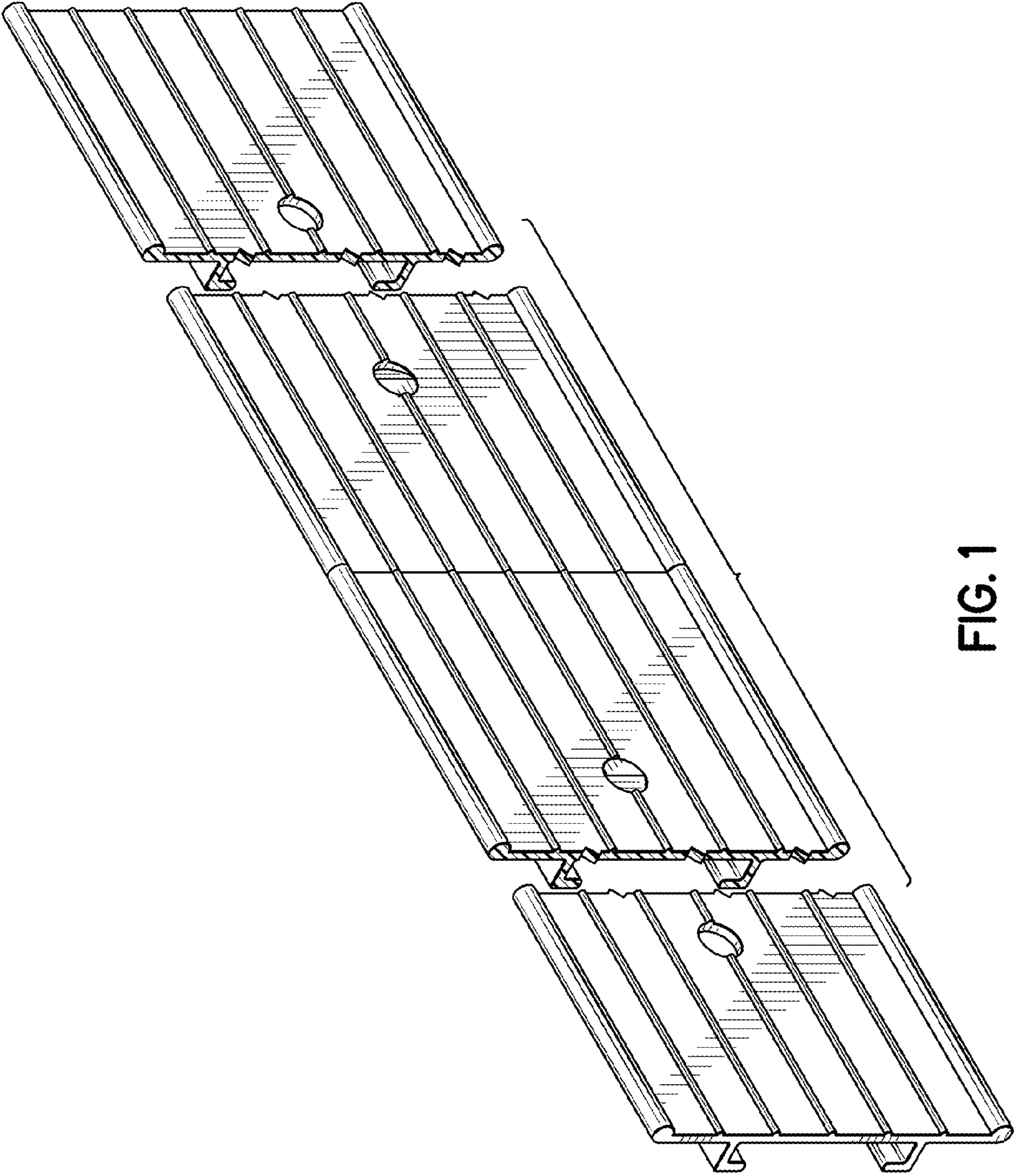


FIG. 1



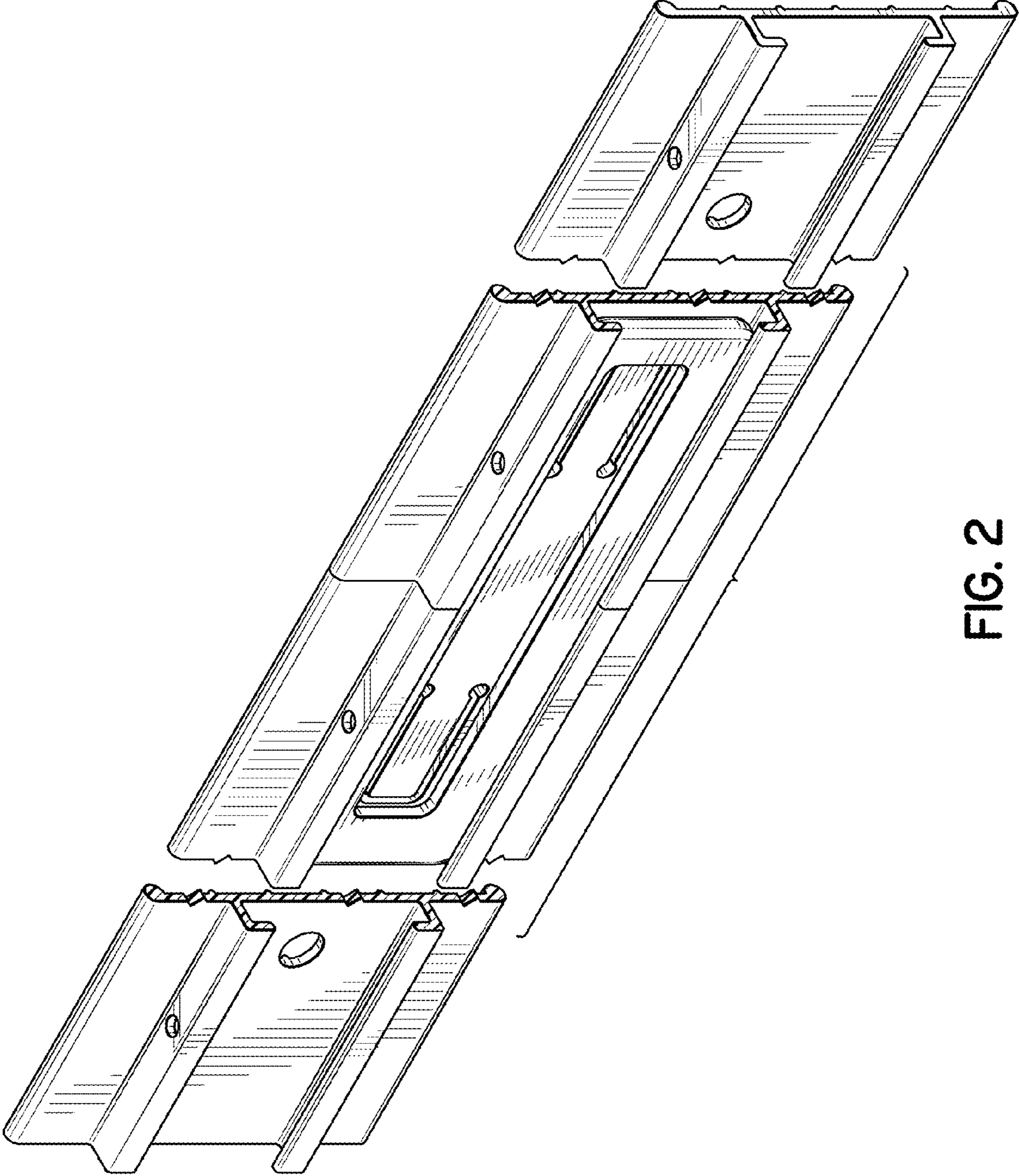
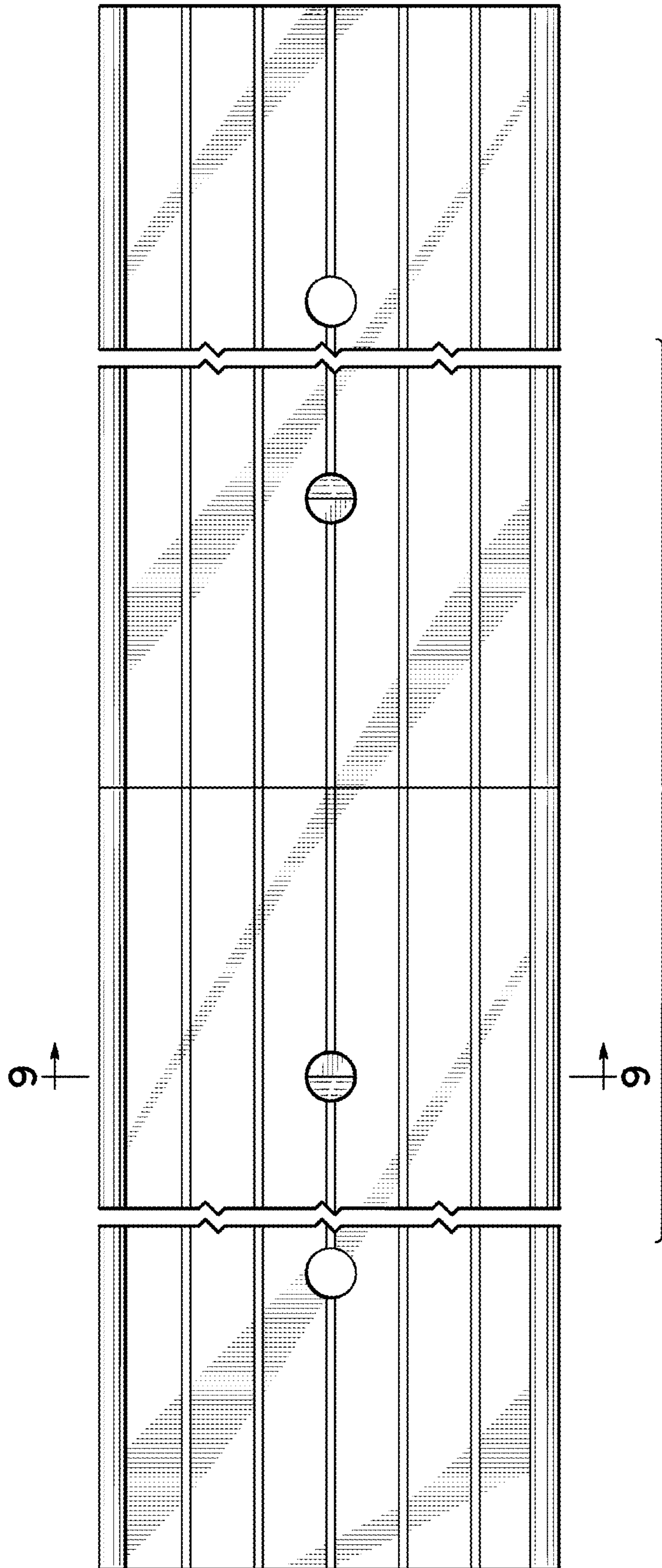


FIG. 2



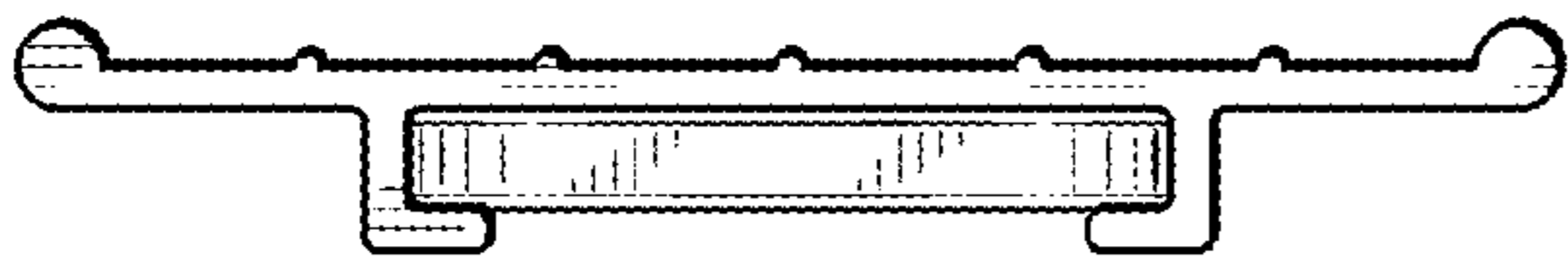
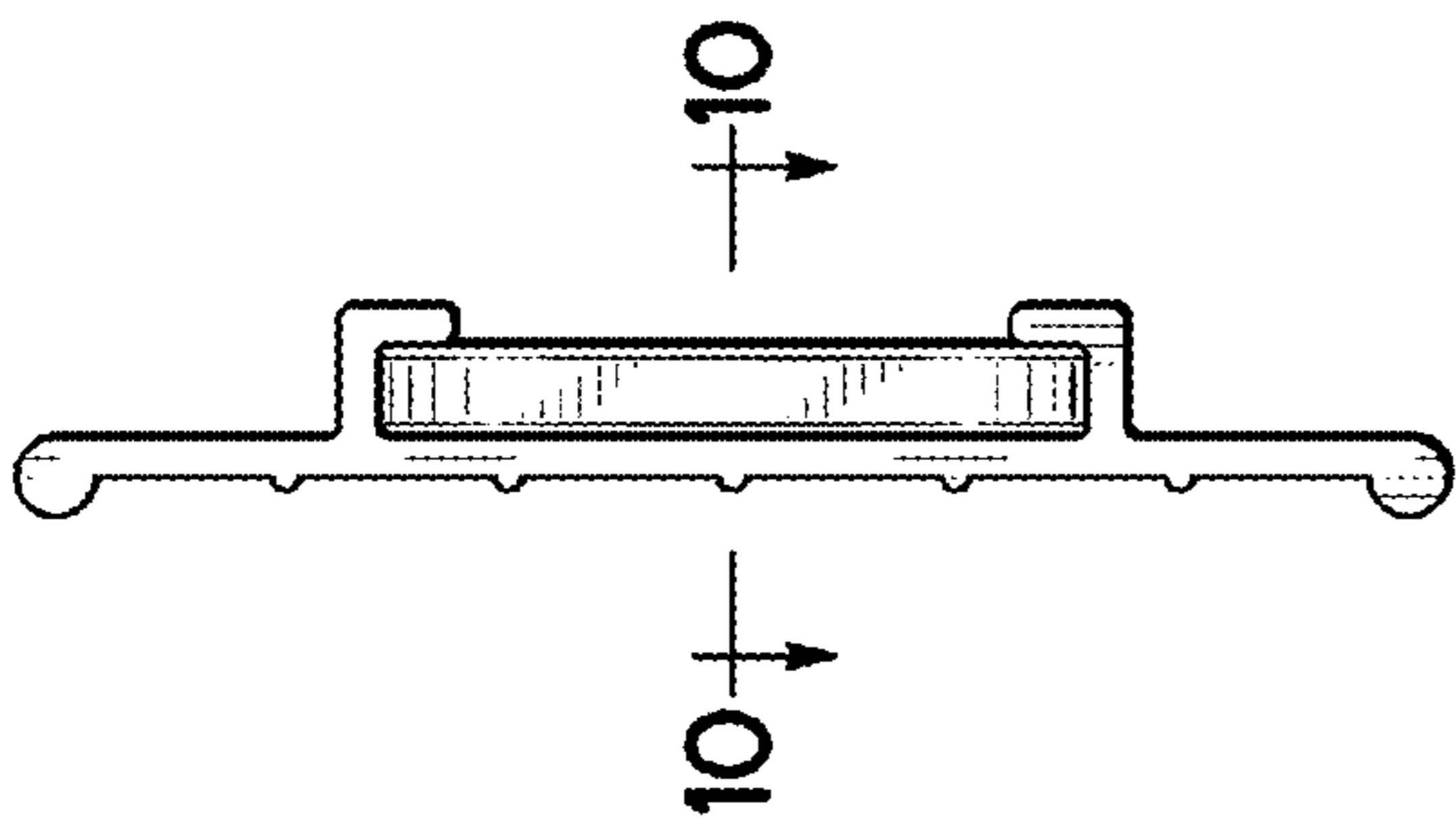


FIG. 4

FIG. 6

FIG. 9

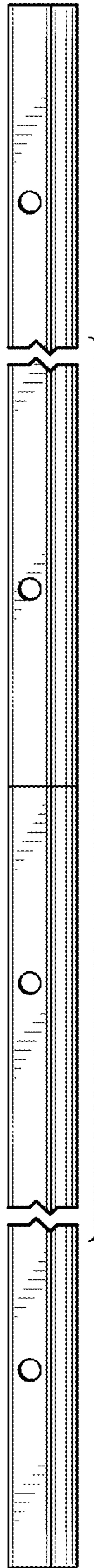


FIG. 7

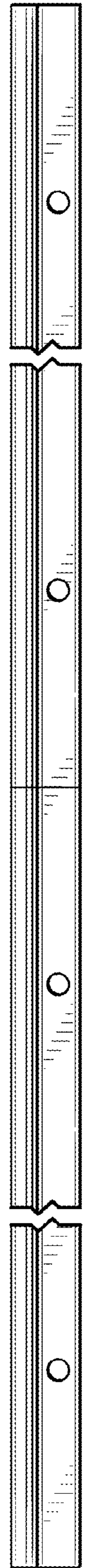


FIG. 8

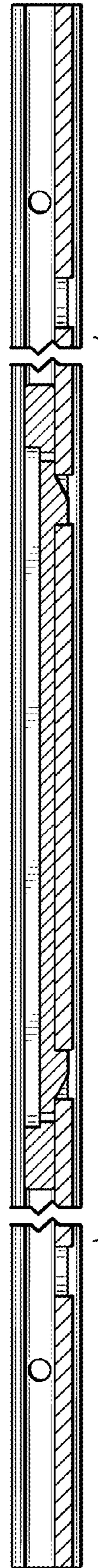


FIG. 10



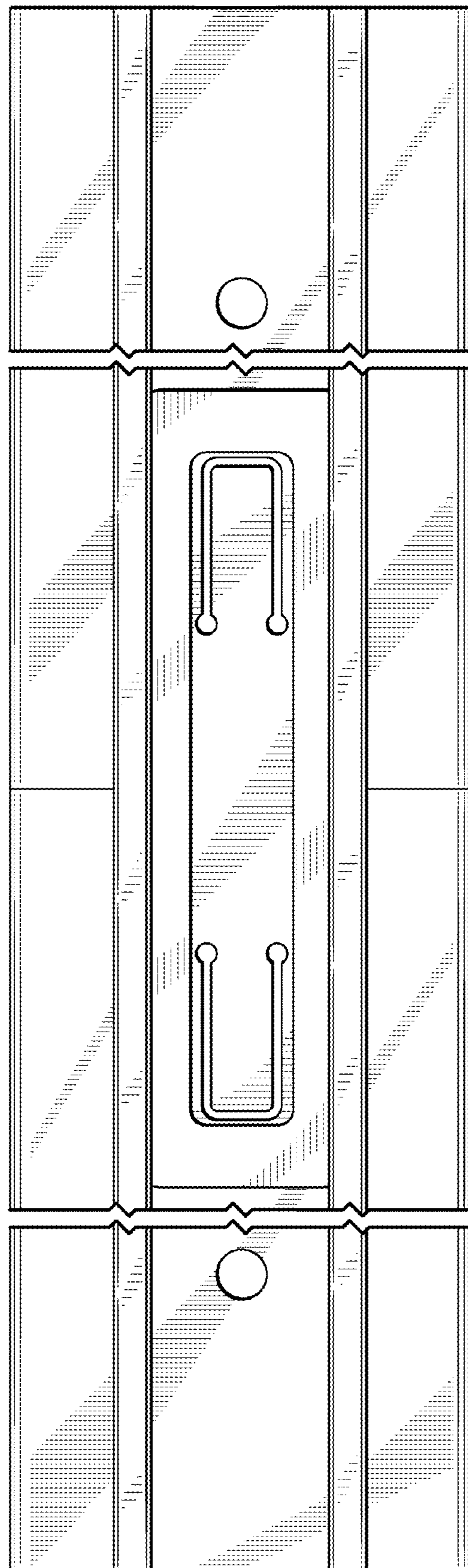


FIG. 5