



US00D612071S

(12) **United States Design Patent**
Smithenry et al.

(10) **Patent No.:** **US D612,071 S**
(45) **Date of Patent:** **** Mar. 16, 2010**

(54) **CONCRETE FORM**

(75) Inventors: **Terry J. Smithenry**, Newton, IL (US);
Delaine H. Ochs, Newton, IL (US)

(73) Assignee: **Q-Form, Inc.**, Newton, IL (US)

(**) Term: **14 Years**

(21) Appl. No.: **29/307,952**

(22) Filed: **May 20, 2008**

(51) **LOC (9) Cl.** **25-01**

(52) **U.S. Cl.** **D25/119**

(58) **Field of Classification Search** D25/199,
D25/164, 119; 52/380, 381, 127.2, 127.3,
52/127.4; 249/1, 16, 2

See application file for complete search history.

(56) **References Cited**

U.S. PATENT DOCUMENTS

2,887,868 A * 5/1959 Glidden 52/381
D273,047 S * 3/1984 Lloyd-Jones D25/119
D399,573 S * 10/1998 Stegmeier et al. D25/2
6,021,994 A * 2/2000 Shartzter, Jr. 249/6

OTHER PUBLICATIONS

Two steel edge forms, Metal Forms Corporation, Milwaukee, Wisconsin. Retrieved from Internet URL: www.metalforms.com/steelflatwork.html on May 8, 2008.

* cited by examiner

Primary Examiner—Doris Clark

(74) *Attorney, Agent, or Firm*—Philip L. Bateman

(57) **CLAIM**

The ornamental design for a concrete form, as shown and described.

DESCRIPTION

FIG. 1 is a rear and right side perspective view of a concrete form showing our new design;

FIG. 2 is a front and left side perspective view thereof;

FIG. 3 is a top plan view thereof;

FIG. 4 is a rear elevation view thereof;

FIG. 5 is a right side elevation view thereof;

FIG. 6 is a left side elevation view thereof;

FIG. 7 is a front elevation view thereof;

FIG. 8 is a detail perspective view of a left end and a right end of two concrete forms about to be joined together;

FIG. 9 is a detail perspective view of two concrete forms joined together end to end;

FIG. 10 is a detail rear perspective view of a portion of the concrete form with a stake passing through a bracket to secure the form in position; and,

FIG. 11 is a detail front perspective view thereof.

The broken lines are for illustrative purposes only and form no part of the claimed design.

1 Claim, 2 Drawing Sheets

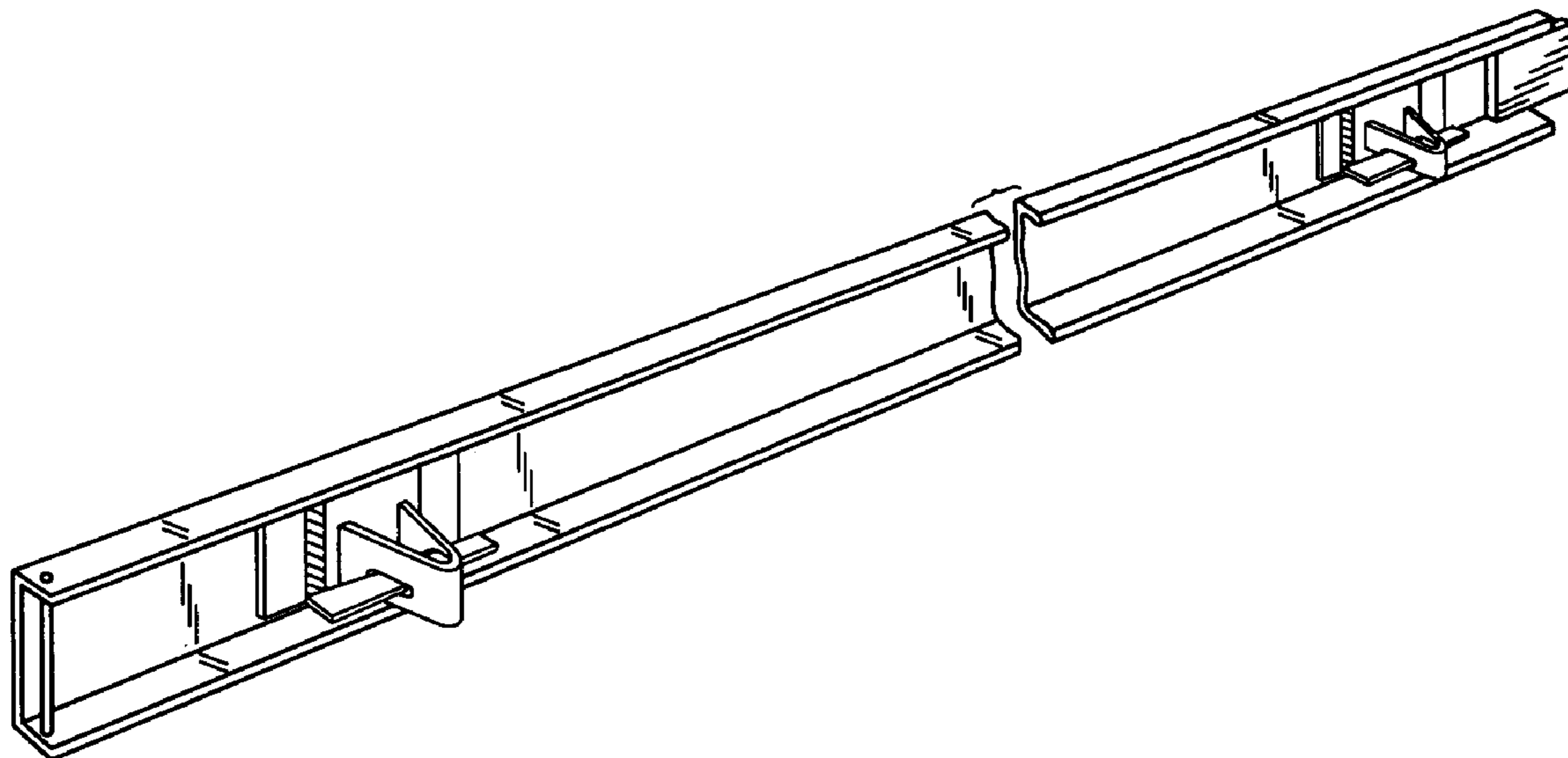


Fig. 1

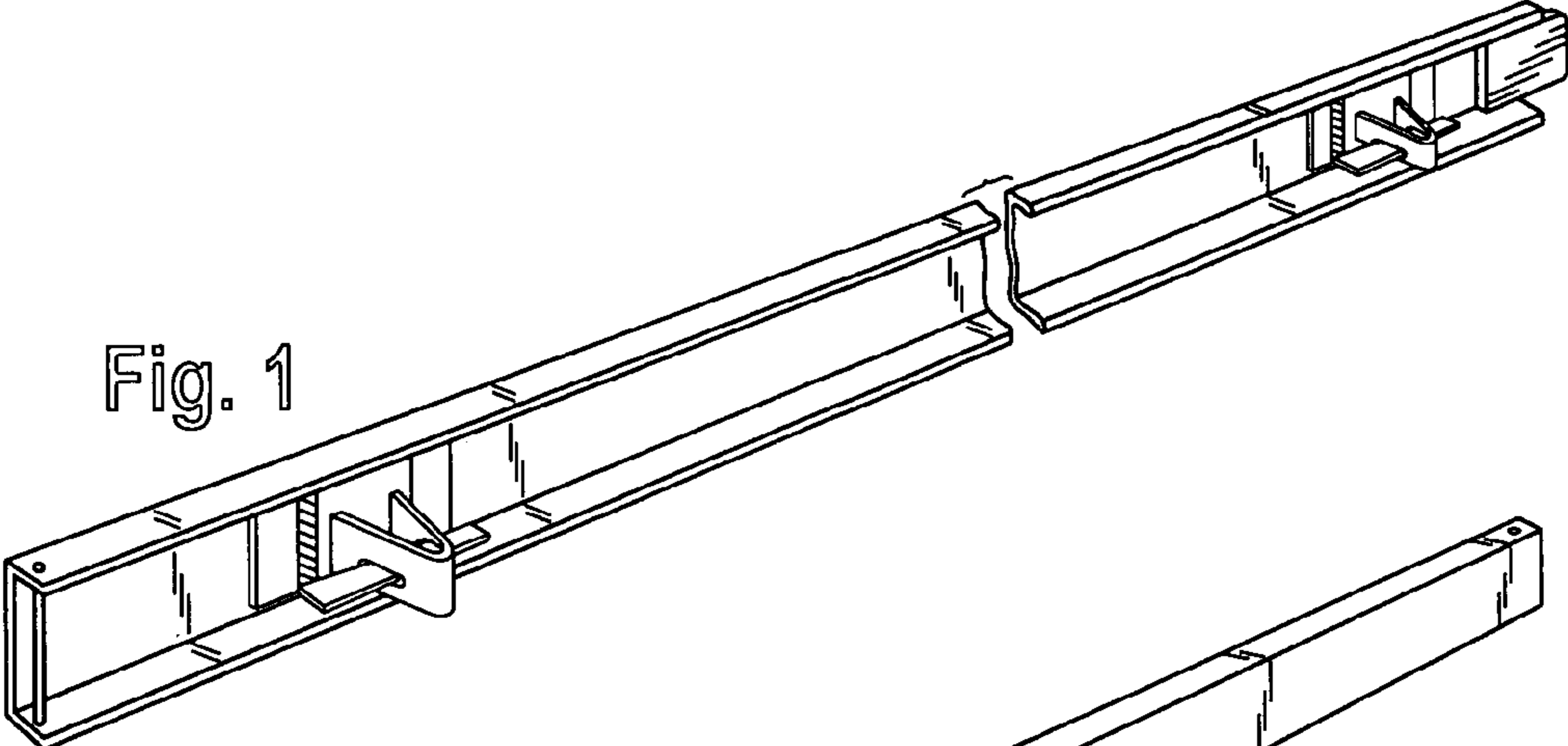


Fig. 2

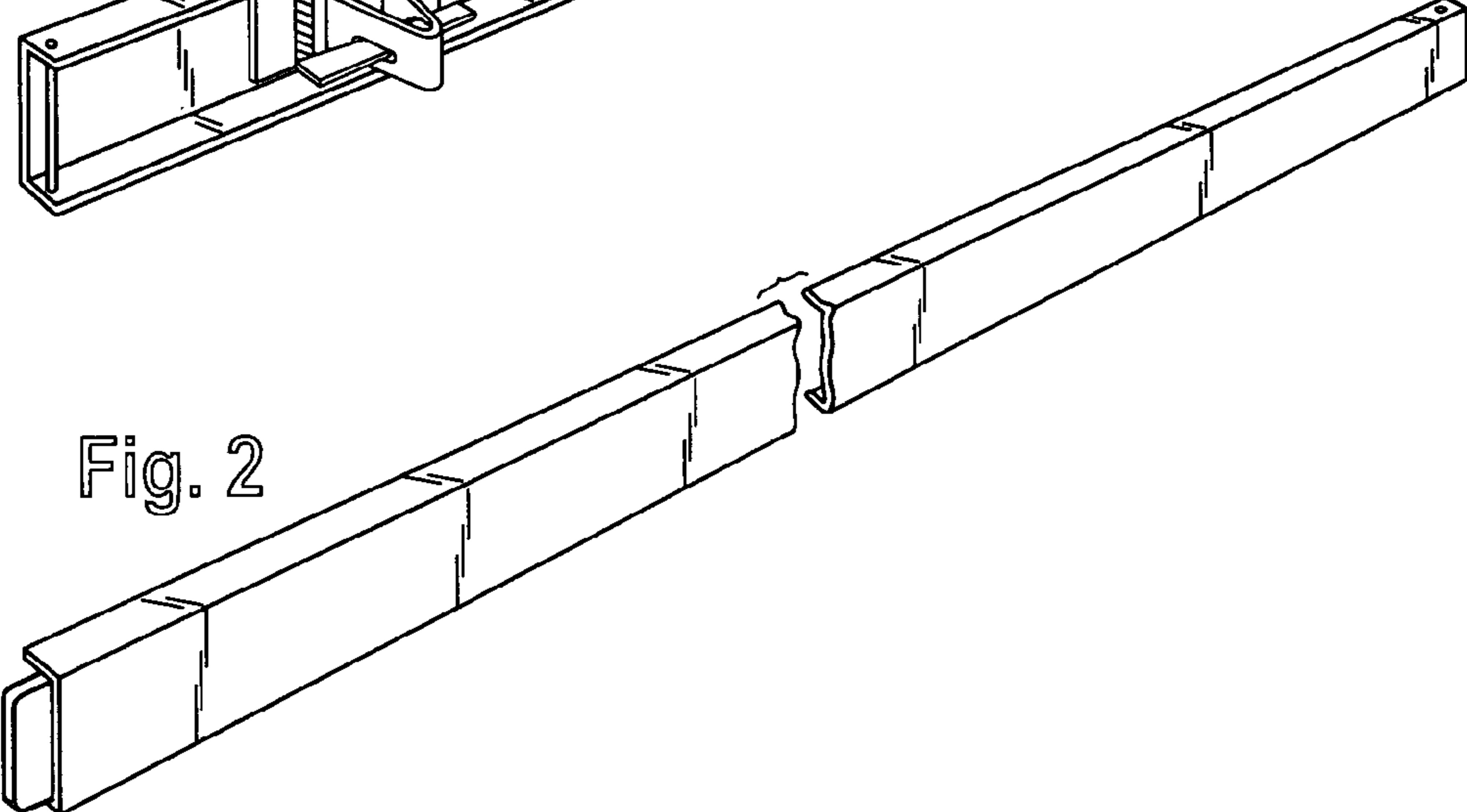


Fig. 3

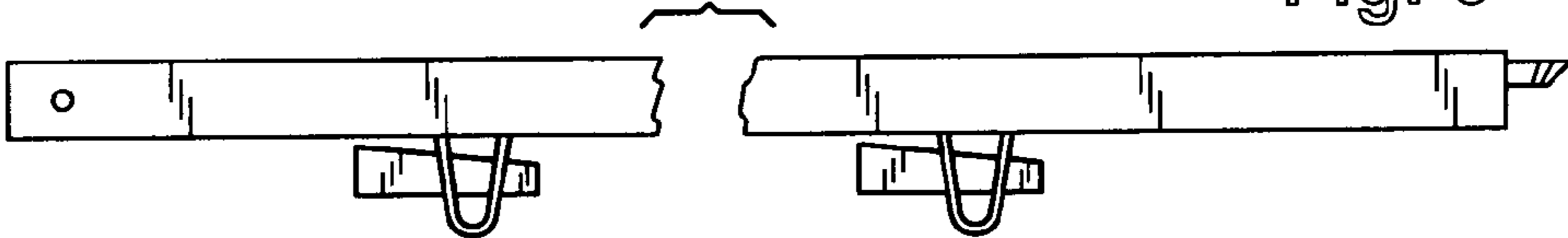


Fig. 4

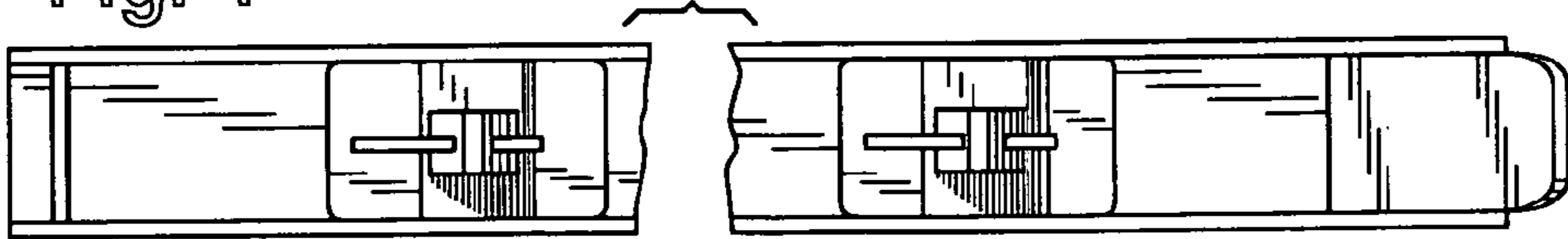


Fig. 5

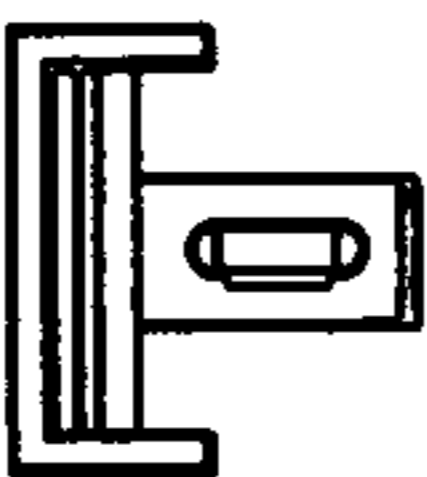


Fig. 6

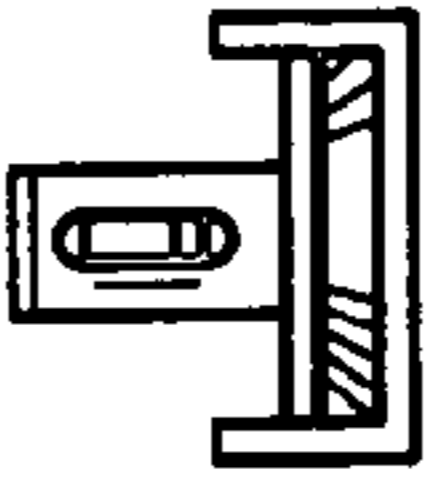


Fig. 7

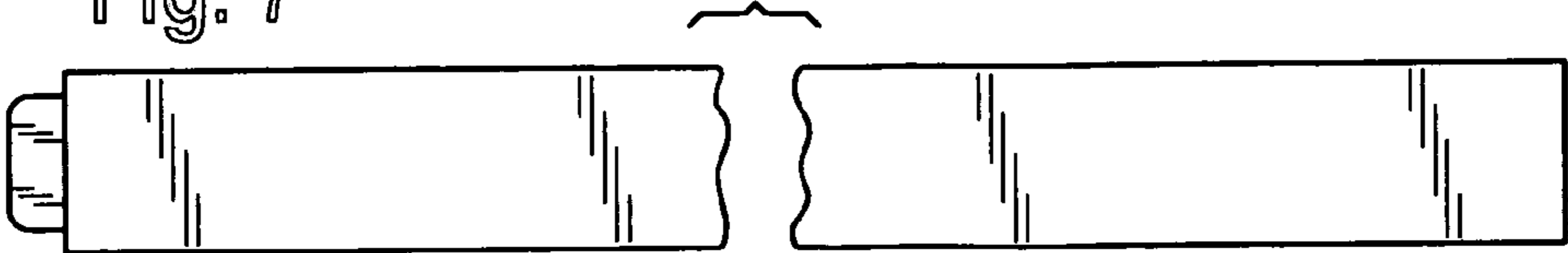


Fig. 8

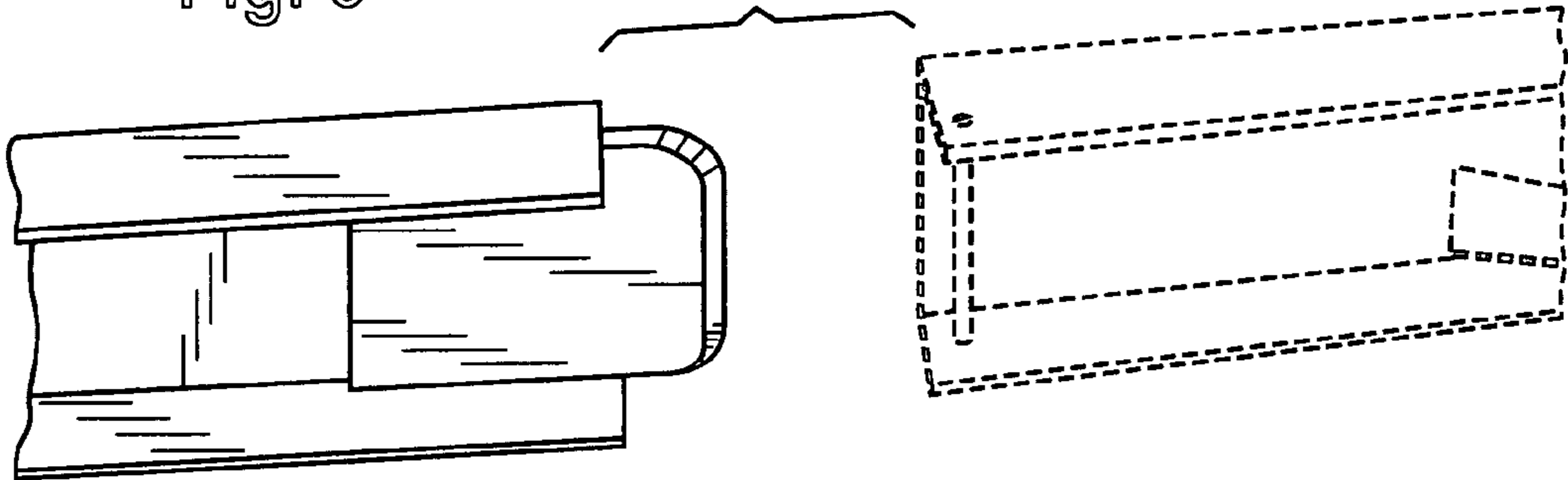


Fig. 9

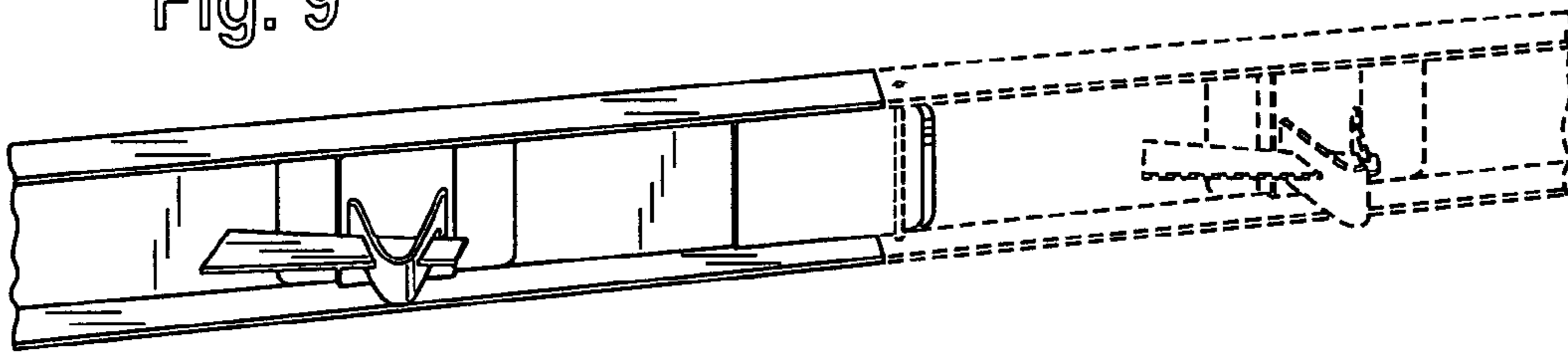


Fig. 10

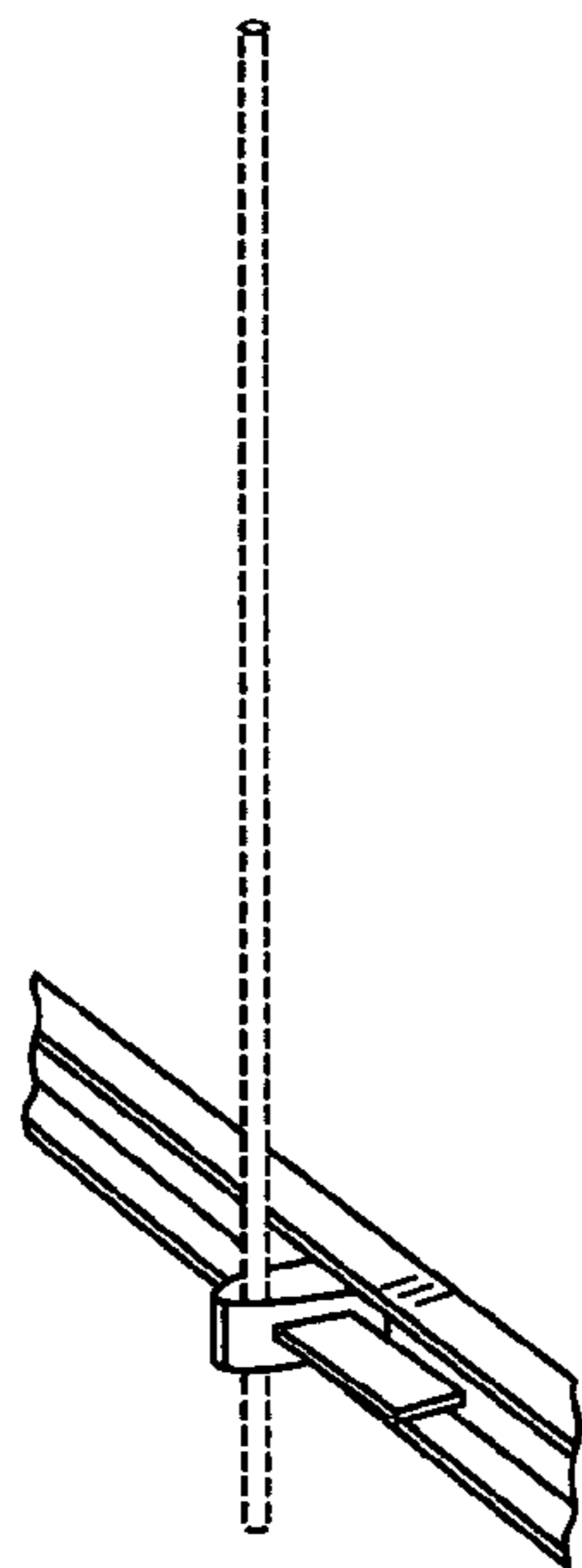


Fig. 11

