



US00D612070S

(12) **United States Design Patent**
Usul et al.

(10) **Patent No.:** **US D612,070 S**
(45) **Date of Patent:** **** Mar. 16, 2010**

(54) **BRICK**

(76) Inventors: **Ibrahim Usul**, Gentseweg 37, B-9120 Beveren-Waas (BE); **Francis Tirard**, Scheidreef 9, B-2965 Kapellen (BE); **Frans Seghers**, Dennenlaan 1A, B-9120 Haasdonk (BE)

(**) Term: **14 Years**

(21) Appl. No.: **29/339,679**

(22) Filed: **Jul. 6, 2009**

(30) **Foreign Application Priority Data**

Jan. 6, 2009 (WO) DM/071 132

(51) **LOC (9) Cl.** **25-01**

(52) **U.S. Cl.** **D25/113**

(58) **Field of Classification Search** D25/102,
D25/112-118, 119, 164; D21/484-491,
D21/499-502; 405/16, 17, 33, 35, 284, 286;
52/503-505, 574, 575, 596-605, 609-612;
404/29-31, 34

See application file for complete search history.

(56) **References Cited**

U.S. PATENT DOCUMENTS

2,688,245 A * 9/1954 Vesper 52/592.5

D214,624 S *	7/1969	Muse	D25/117
D217,244 S *	4/1970	Fairfield	D25/116
D225,006 S *	10/1972	Muse	D25/117
D243,855 S *	3/1977	Hynes	D25/118
5,421,135 A *	6/1995	Stevens et al.	52/604
6,088,987 A *	7/2000	Simmons et al.	52/604
D429,346 S *	8/2000	Martin, Jr.	D25/117
6,233,897 B1 *	5/2001	Jurik	52/604
D479,000 S *	8/2003	van Oort	D25/113
6,948,282 B2 *	9/2005	Bott	52/98
D527,467 S *	8/2006	Telford	D25/114
2006/0059824 A1 *	3/2006	Barbisch	52/503

* cited by examiner

Primary Examiner—T. Chase Nelson

Assistant Examiner—Anhdao Doan

(74) *Attorney, Agent, or Firm*—Kirschstein, et al.

(57) **CLAIM**

The ornamental design for a brick, as shown.

DESCRIPTION

FIG. 1 is a top, front and left side perspective of a brick according to our design; and,

FIG. 2 is a bottom, rear and right side perspective thereof.

1 Claim, 1 Drawing Sheet

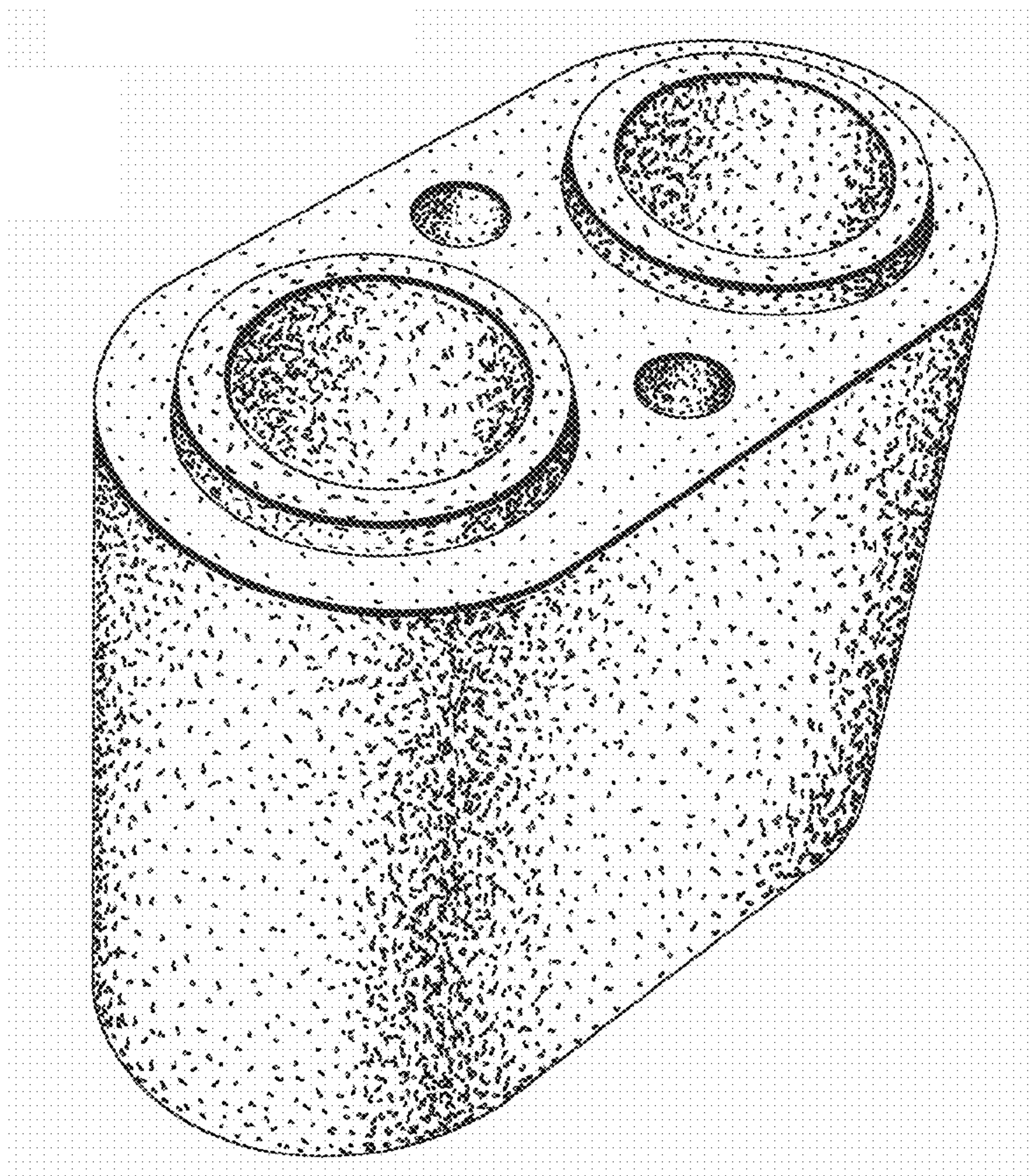


FIG. 1

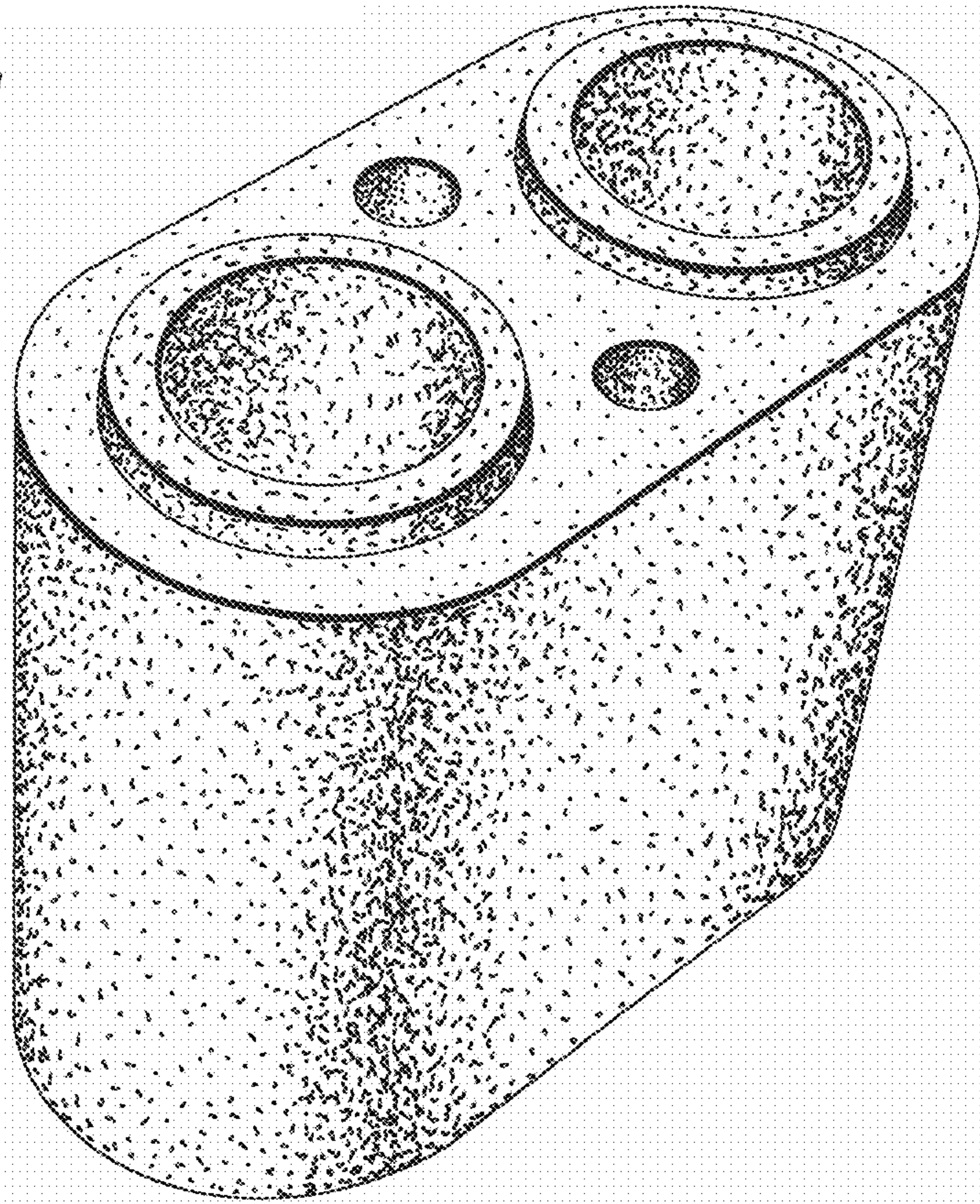


FIG. 2

